



US00D574107S

(12) **United States Design Patent**  
**Tress et al.**

(10) **Patent No.:** **US D574,107 S**  
(45) **Date of Patent:** **\*\* Jul. 29, 2008**

(54) **LIGHTING FIXTURE END CAP**

**DESCRIPTION**

- (75) Inventors: **Christopher M. Tress**, Poland, OH (US); **Sean P. Tress**, Boardman, OH (US)
- (73) Assignee: **Tresco International Ltd. Co.**, N. Lima, OH (US)
- (\*\*) Term: **14 Years**
- (21) Appl. No.: **29/272,880**
- (22) Filed: **Feb. 21, 2007**
- (51) **LOC (8) Cl.** ..... **26-99**
- (52) **U.S. Cl.** ..... **D26/138**
- (58) **Field of Classification Search** ..... D26/118, D26/76, 120, 121, 77, 141, 128, 78, 3, 88, D26/85, 87, 65, 67, 68, 81, 84, 155, 145, D26/142, 113, 138, 57, 72, 73, 75, 82, 89, D26/93, 109, 108, 119, 143, 152; D11/90; D25/124; D13/135, 134; 362/298, 555, 362/576, 581, 147, 151, 153, 217, 219, 235, 362/241, 279, 290, 297, 325, 404, 405, 410, 362/800

This application may be deemed related to commonly owned copending U.S. Design patent application Ser. No. 29/272, 879 entitled "Fixture Base for LED Strip" filed even date herewith, which application is expressly incorporated hereinto by reference.

FIG. 1 is a front perspective view of one embodiment of a lighting fixture end cap which embodies my new and original design therefore and which is especially adapted for use as a left end cap of a lighting fixture base;

FIG. 2 is a front elevation view thereof;

FIG. 3 is a rear elevation view thereof;

FIG. 4 is a top plan view thereof;

FIG. 5 is a bottom plan view thereof;

FIG. 6 is a left side elevation view thereof;

FIG. 7 is a right side elevation view thereof;

FIG. 8 is front perspective view thereof similar to FIG. 1 but showing in broken line certain environmental structural components;

FIG. 9 is a front perspective view of another embodiment of a lighting fixture end cap which embodies my new and original design therefore and which is especially adapted for use as a right end cap of a lighting fixture base;

FIG. 10 is a front elevation view thereof;

FIG. 11 is a rear elevation view thereof;

FIG. 12 is a top plan view thereof;

FIG. 13 is a bottom plan view thereof;

FIG. 14 is a left side elevation view thereof;

FIG. 15 is a right side elevation view thereof; and,

FIG. 16 is a front perspective view thereof similar to FIG. 9 but showing in broken lines certain environmental structural components.

The broken lines in FIGS. 8 and 16 represent a lighting fixture base and a light emitting diode (LED) lighting strip which may be in the environment of the claimed designs, but which do not form part of the claimed design.

See application file for complete search history.

(56) **References Cited**

**U.S. PATENT DOCUMENTS**

- D127,398 S \* 5/1941 Jordan ..... D26/76
- 2,338,077 A \* 12/1943 Seribner ..... 362/218
- 2,423,884 A \* 7/1947 Glass ..... 250/504 R
- 2,474,308 A \* 6/1949 Franck et al. .... 362/224

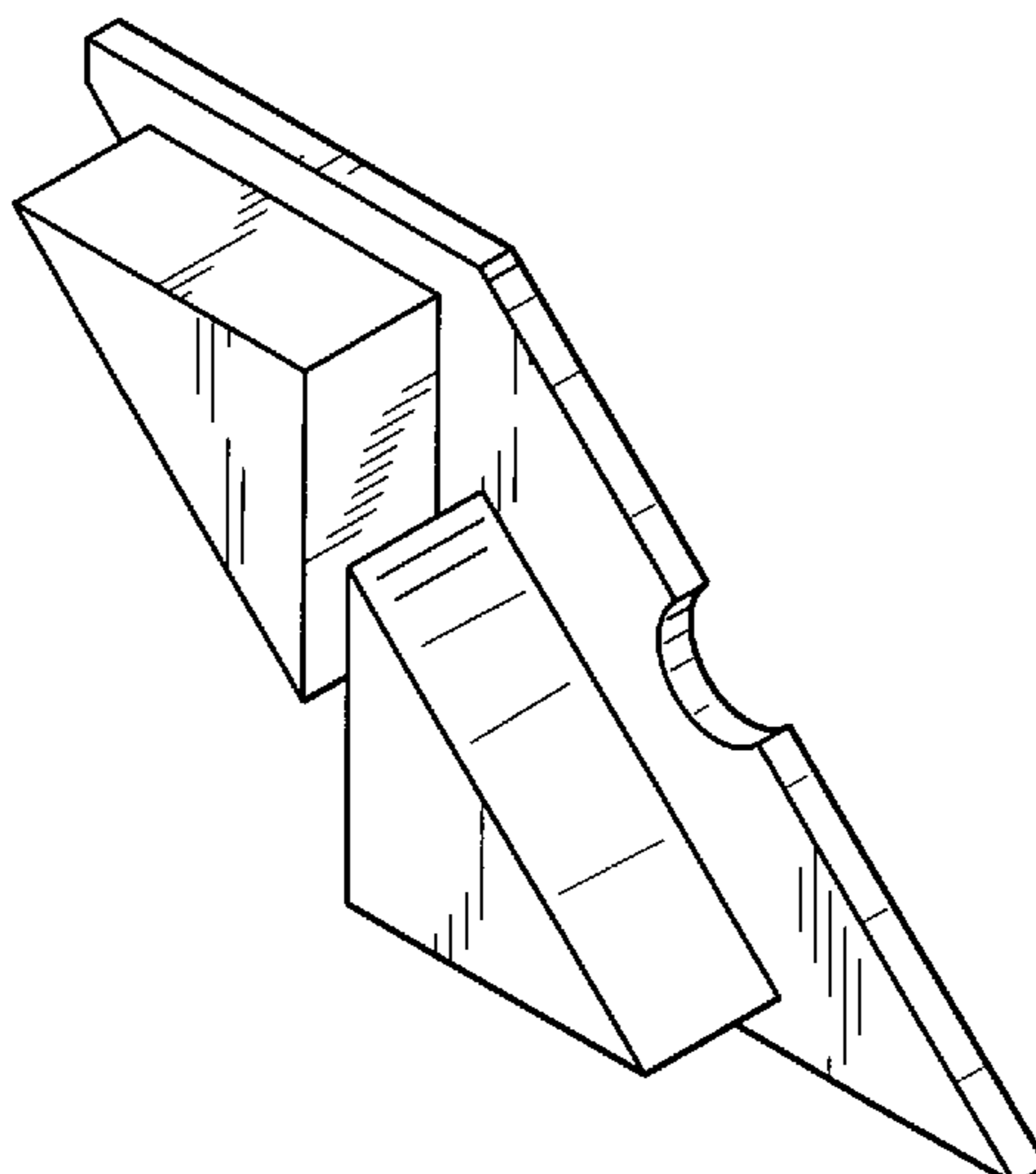
(Continued)

*Primary Examiner*—Freda S. Nunn  
*Assistant Examiner*—Kevin K Rudzinski  
(74) *Attorney, Agent, or Firm*—Nixon & Vanderhye P.C.

(57) **CLAIM**

The ornamental design for a "lighting fixture end cap," as shown and described.

**1 Claim, 6 Drawing Sheets**



# US D574,107 S

Page 2

---

## U.S. PATENT DOCUMENTS

2,565,741	A *	8/1951	Runge	362/224	D414,580	S *	9/1999	Herst	D26/76
D189,830	S *	2/1961	Anderson	D26/78	D421,147	S *	2/2000	Herst et al.	D26/113
D237,485	S *	11/1975	Lundberg	D25/124	D430,688	S *	9/2000	Plunk	D26/76
4,338,653	A *	7/1982	Marrero	362/223	D434,519	S *	11/2000	Herst et al.	D26/113
4,536,830	A *	8/1985	Wisniewski	362/223	6,193,394	B1 *	2/2001	Herst et al.	362/260
D284,109	S *	6/1986	Seal, Jr.	D26/72	D445,214	S *	7/2001	Lewis	D26/113
5,303,507	A *	4/1994	Oille	49/74.1	6,652,118	B2 *	11/2003	Shemitz et al.	362/225
D385,379	S *	10/1997	Tillotson	D26/76	D500,884	S *	1/2005	O'Rourke	D26/138
D401,000	S *	11/1998	Herst	D26/76	D520,665	S *	5/2006	Jiang	D26/76

\* cited by examiner

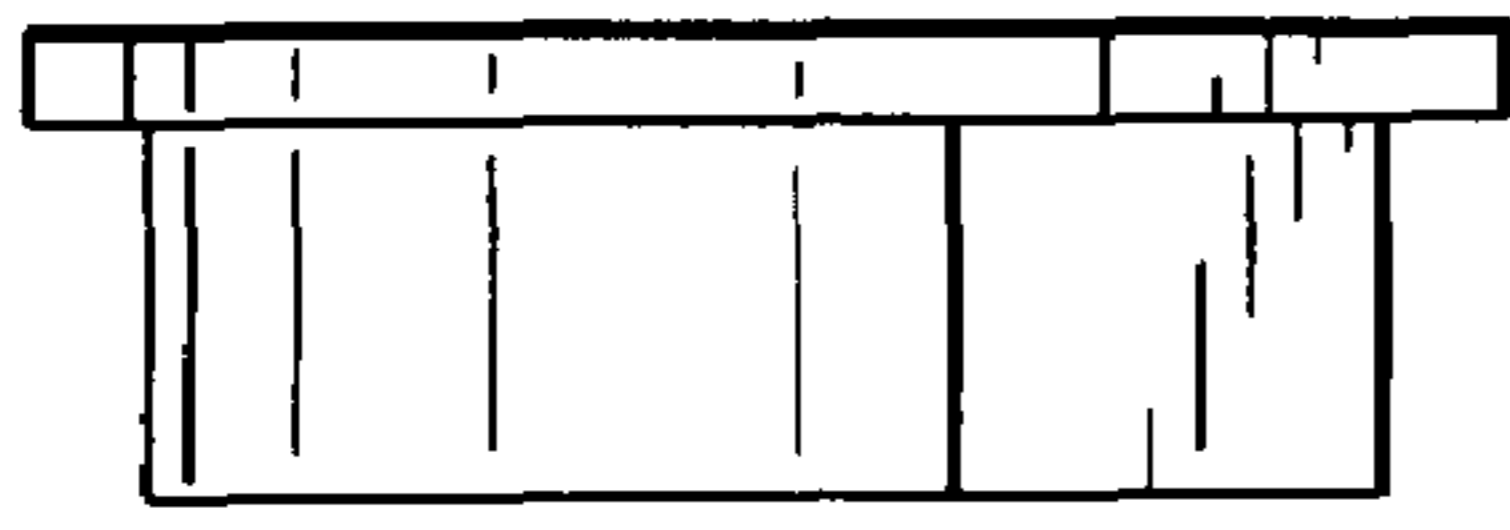


FIG. 3

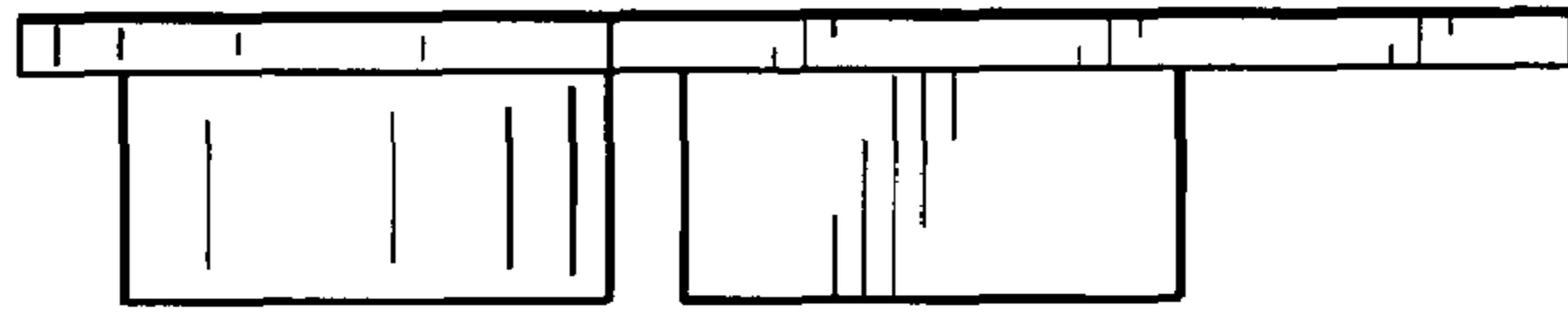


FIG. 5

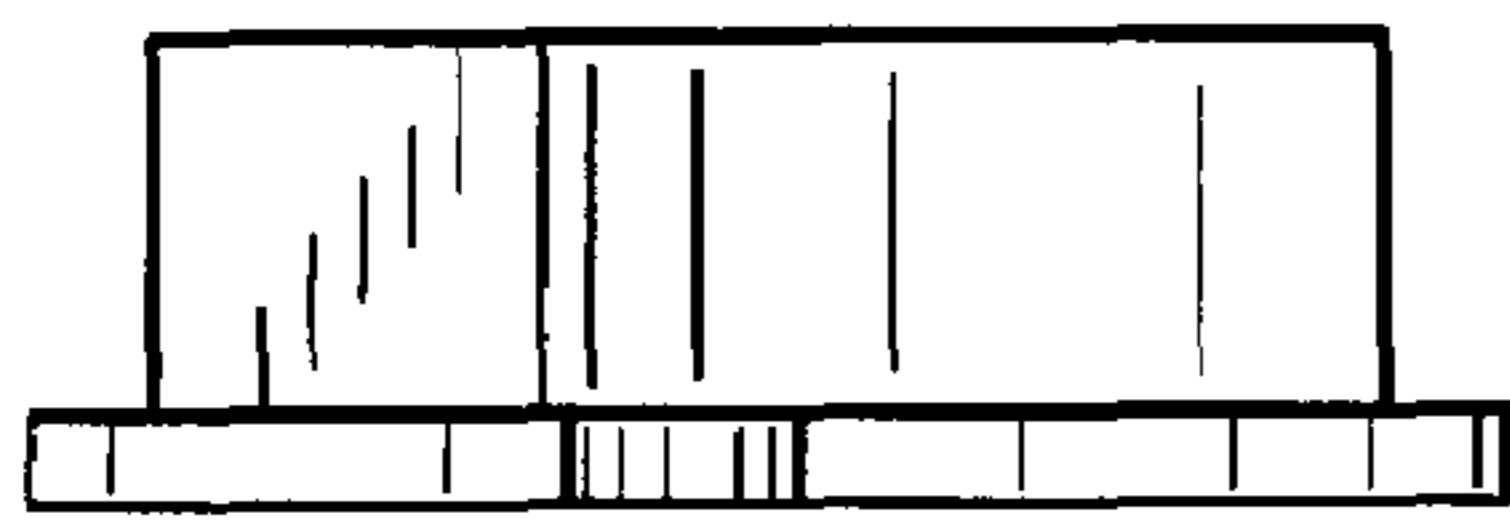


FIG. 2

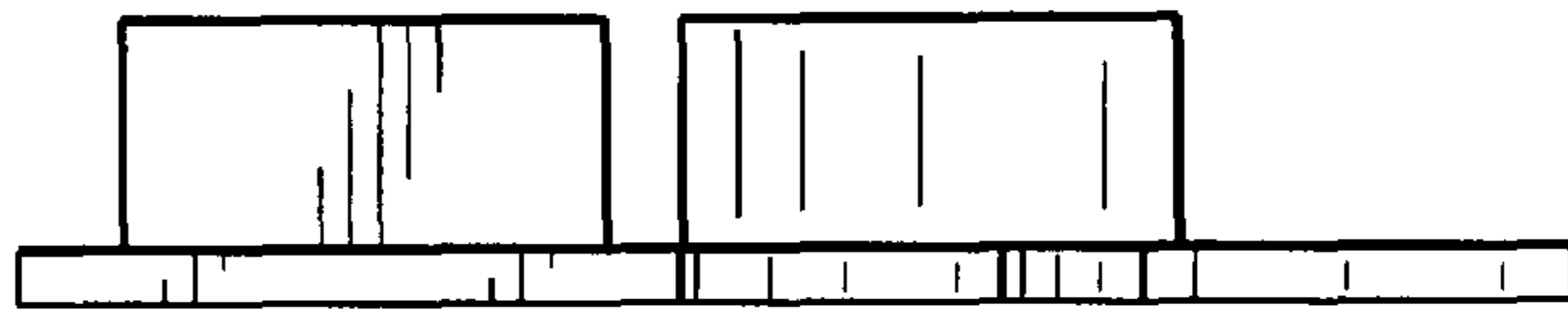


FIG. 4

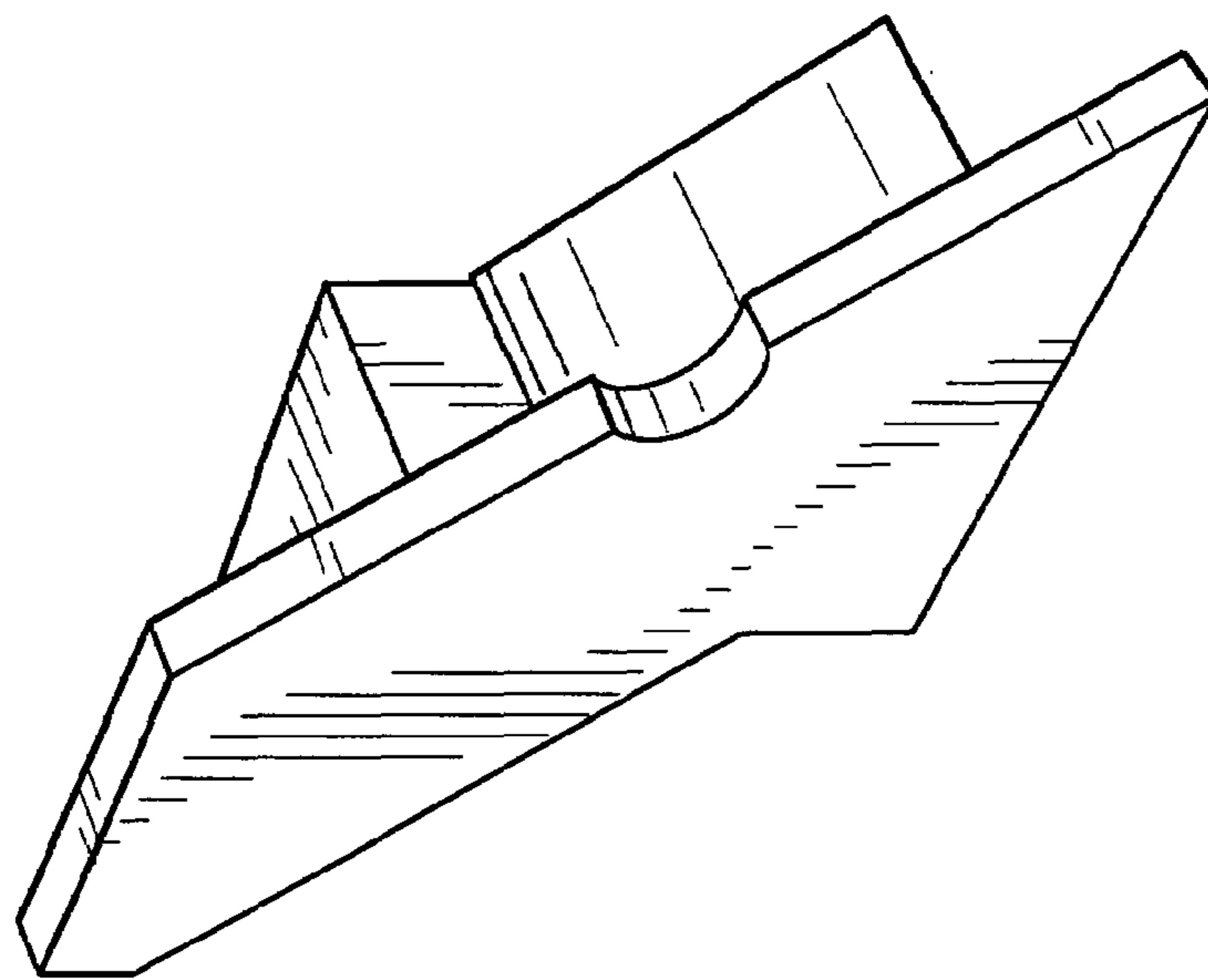


FIG. 1

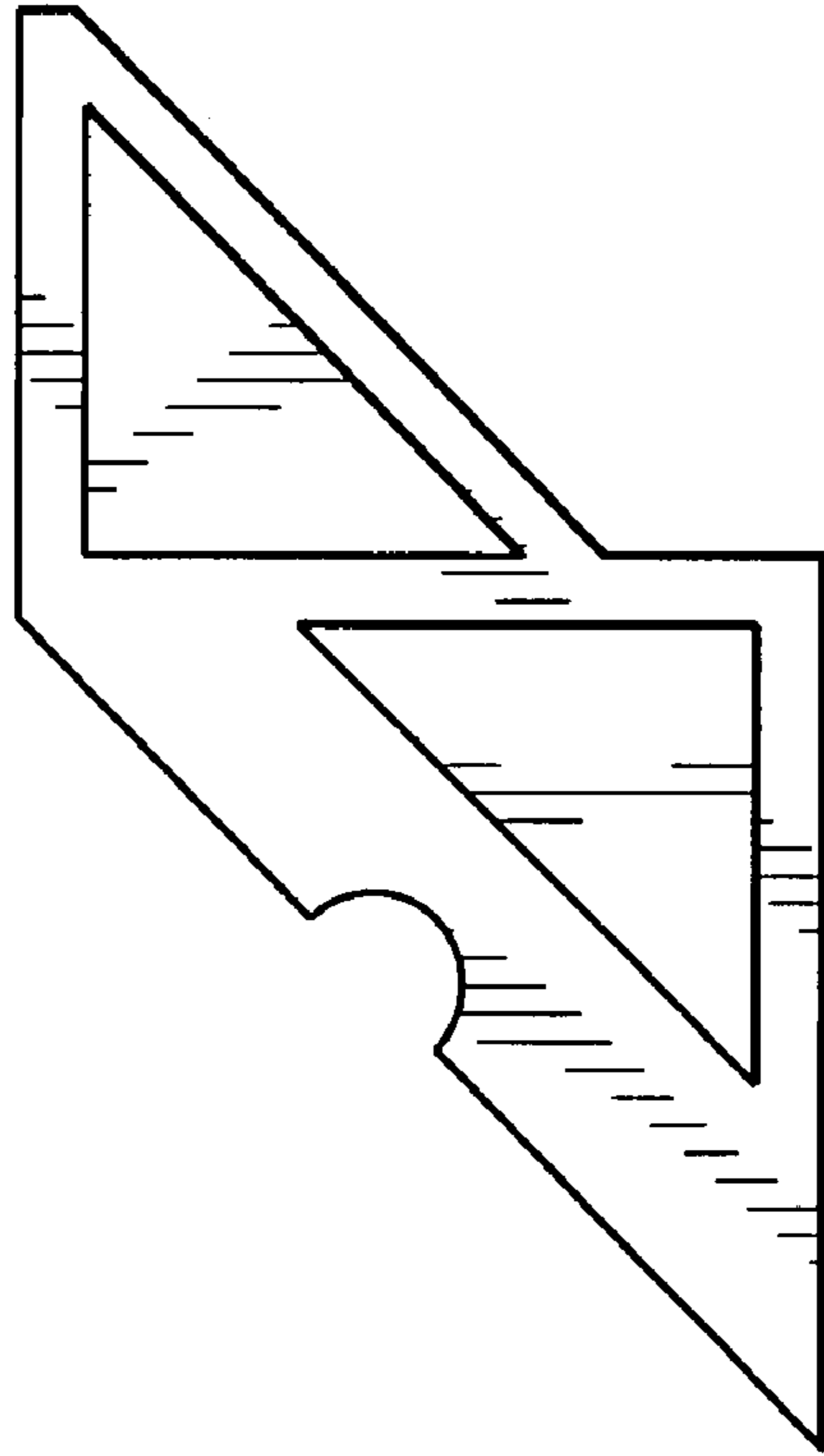


FIG. 6

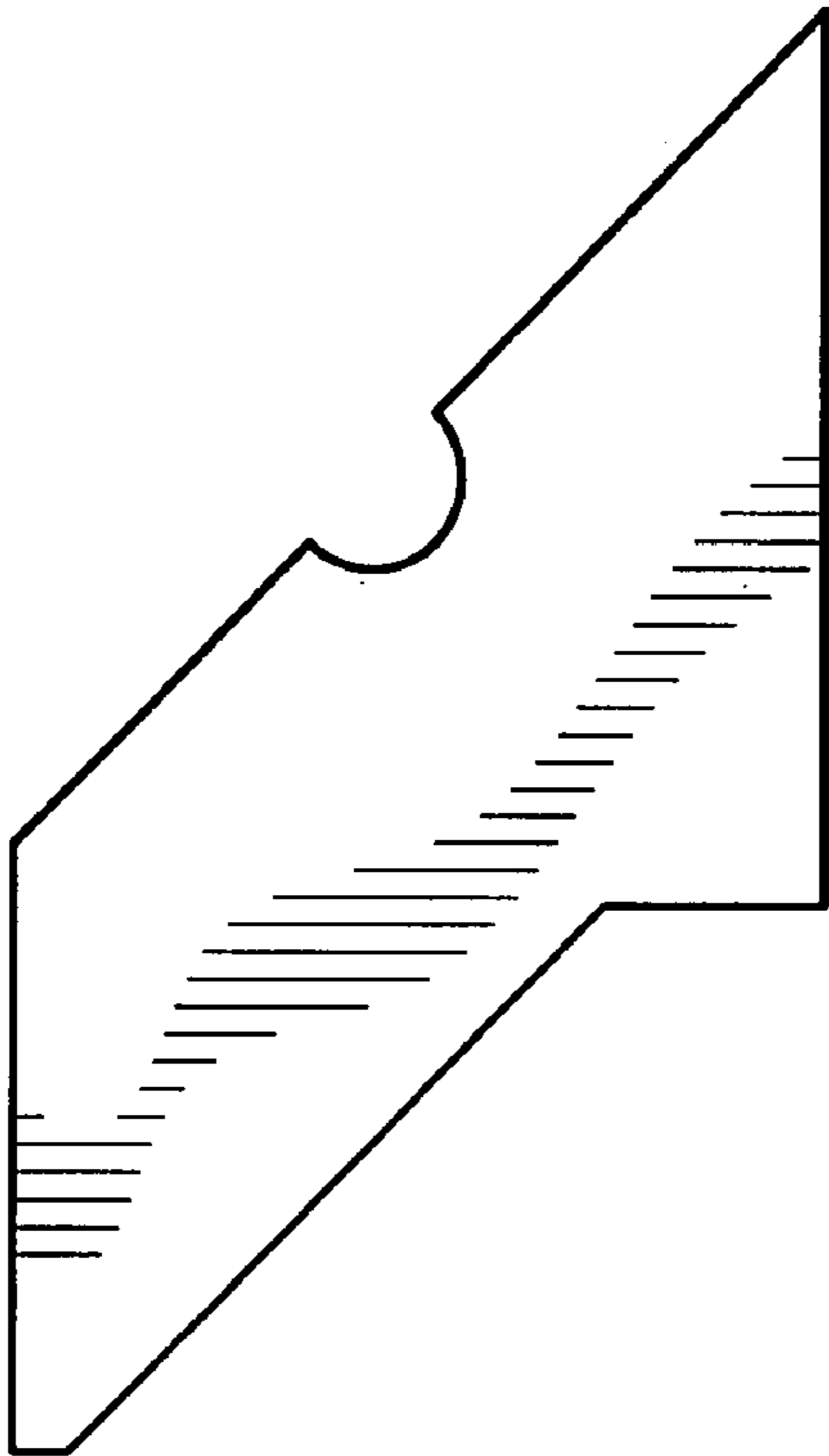


FIG. 7

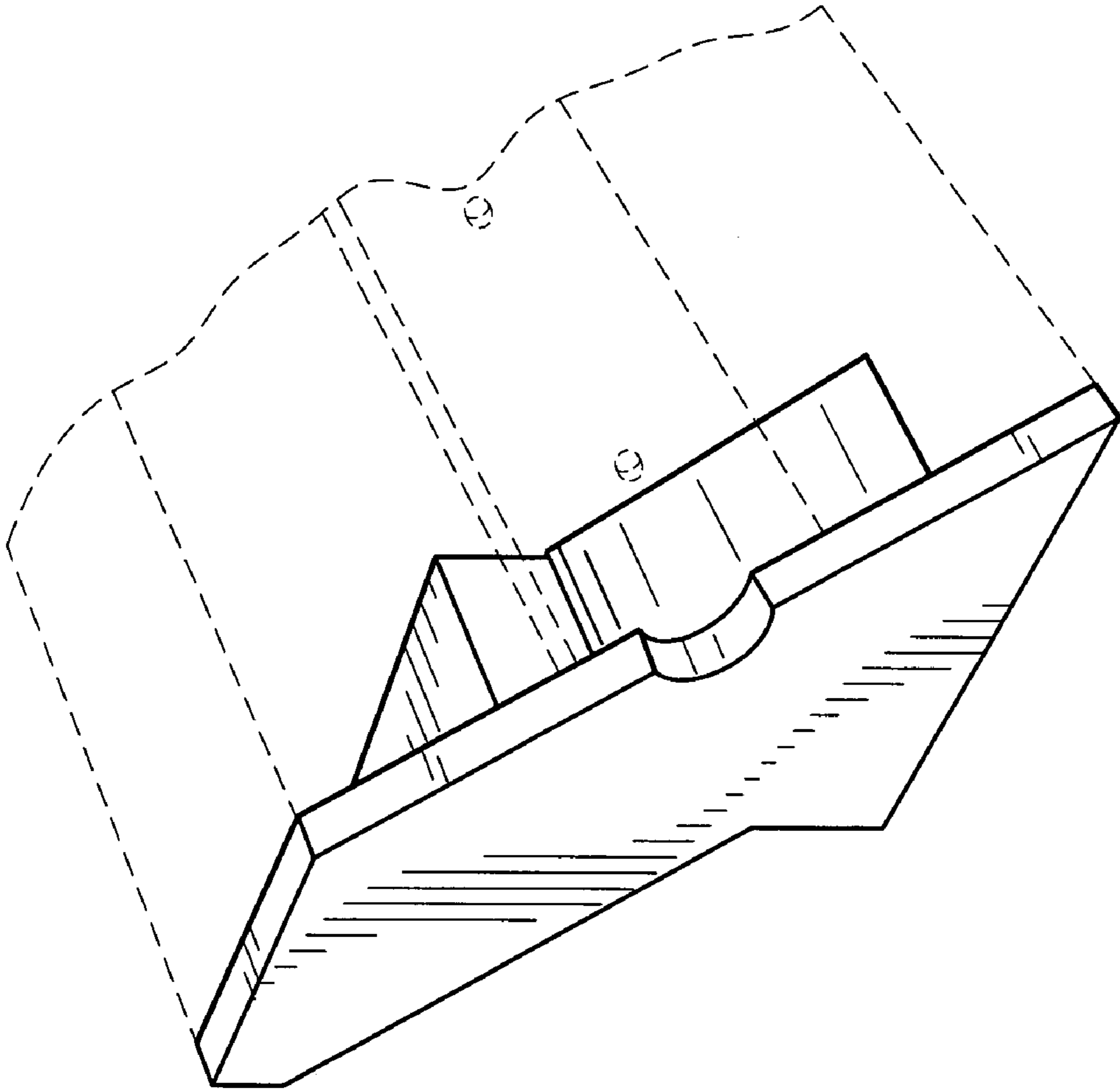


FIG. 8

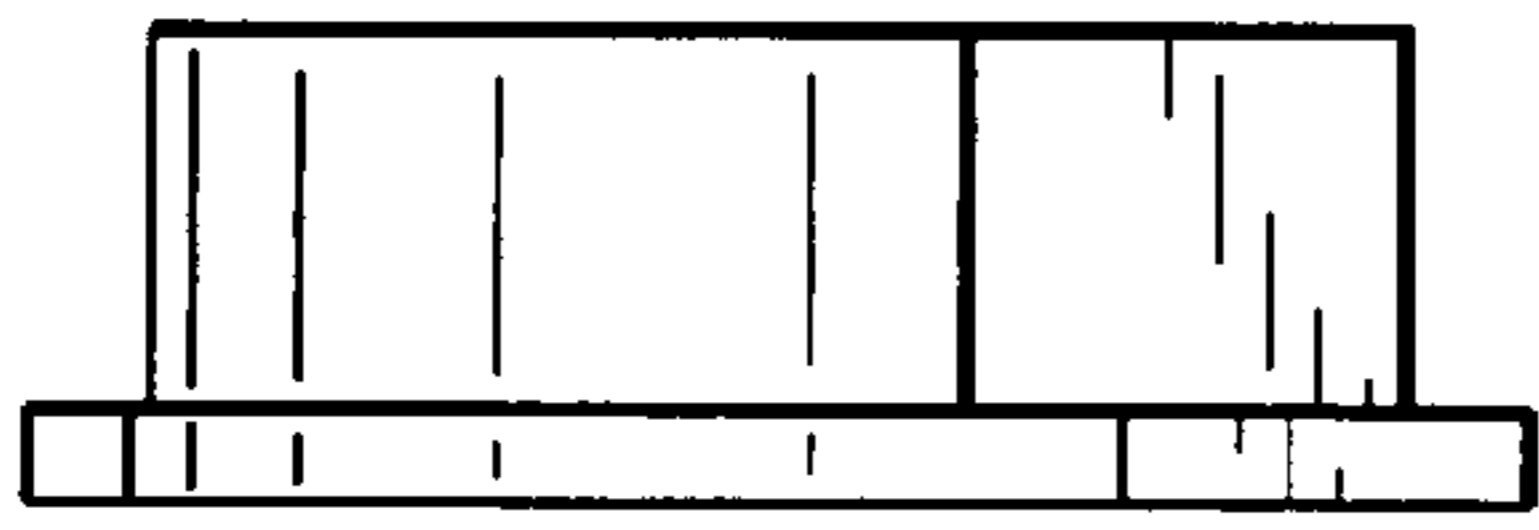


FIG. 12

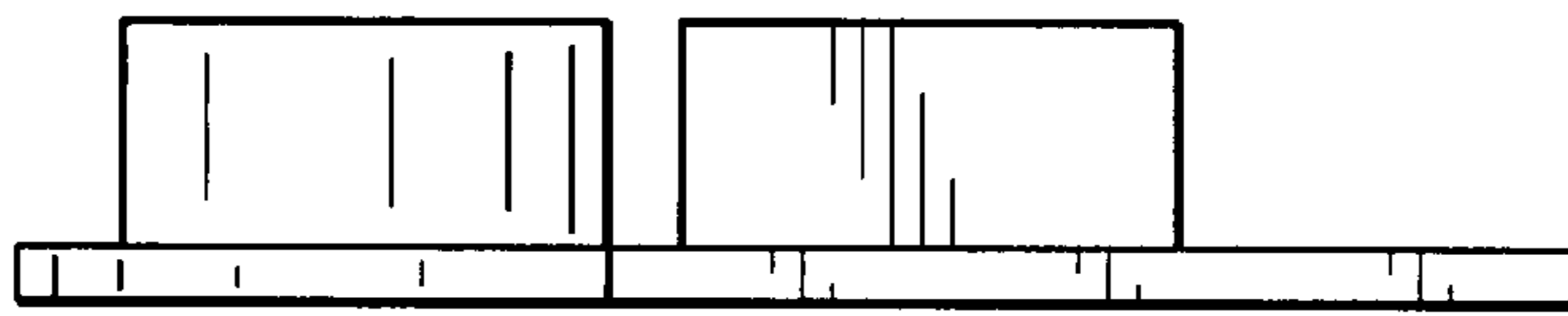


FIG. 13

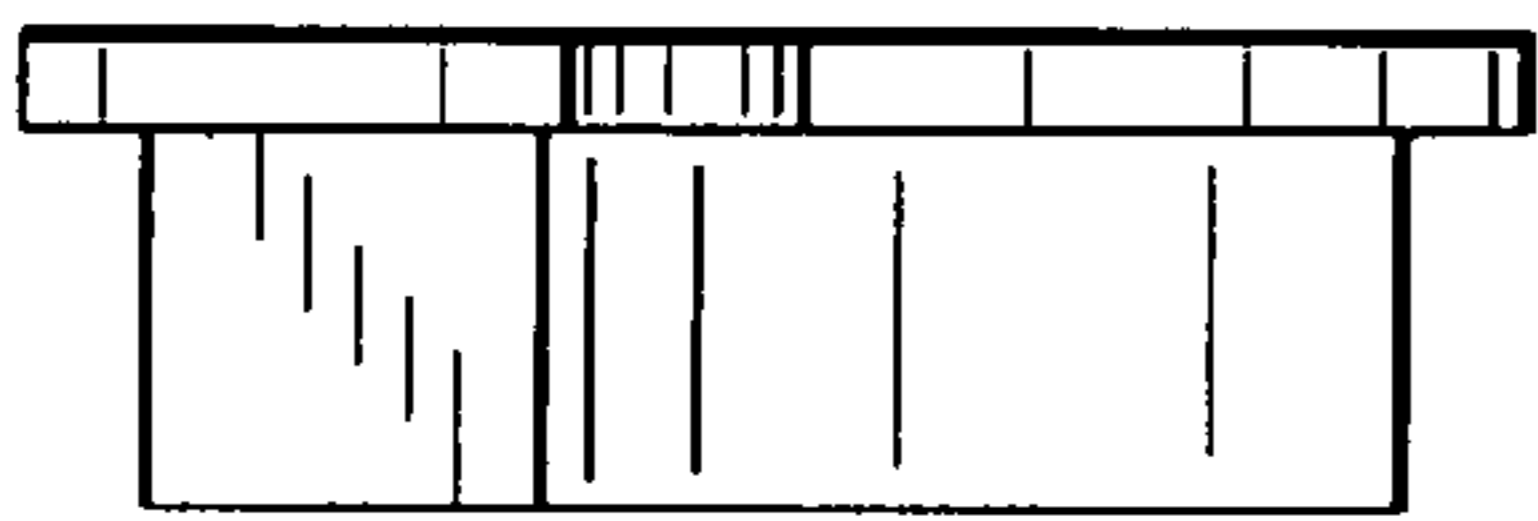


FIG. 10

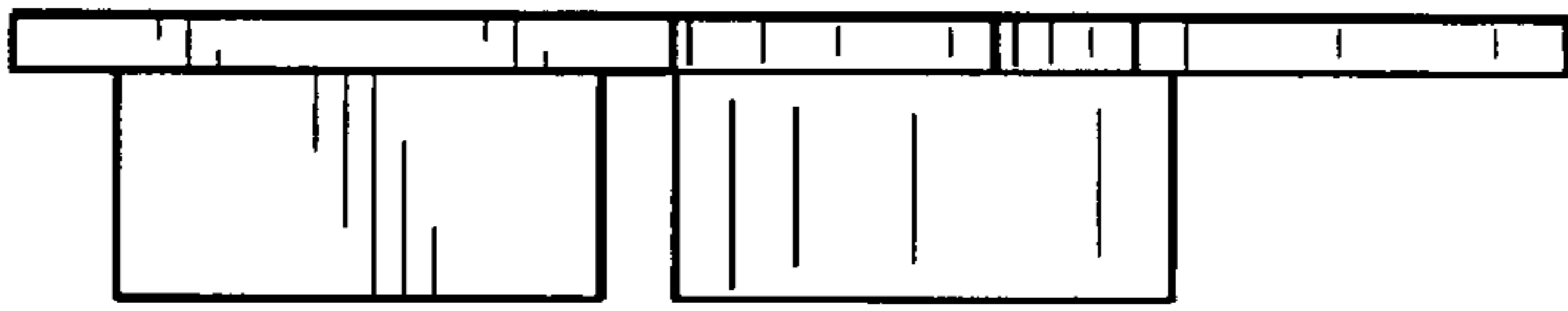


FIG. 11

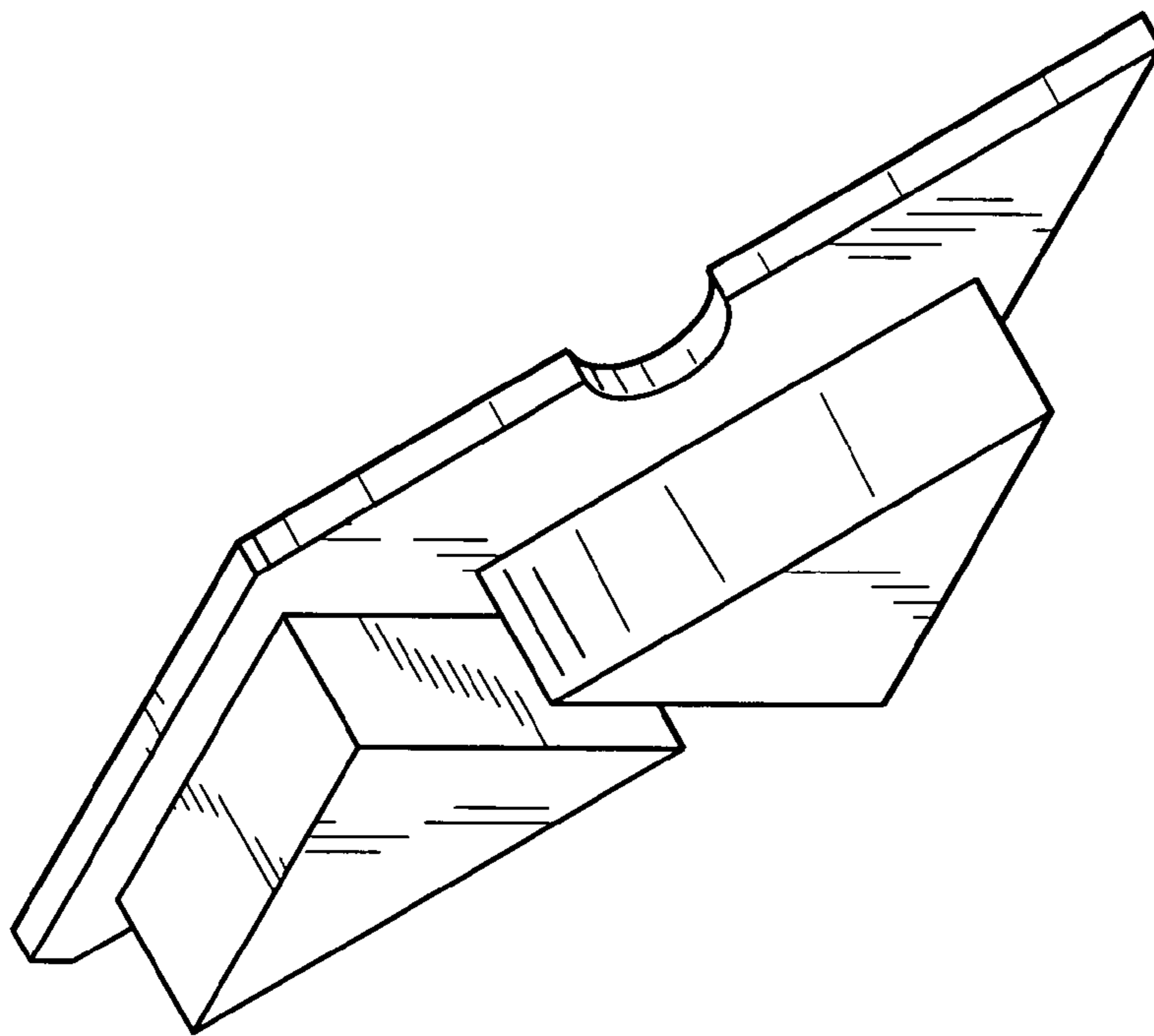


FIG. 9

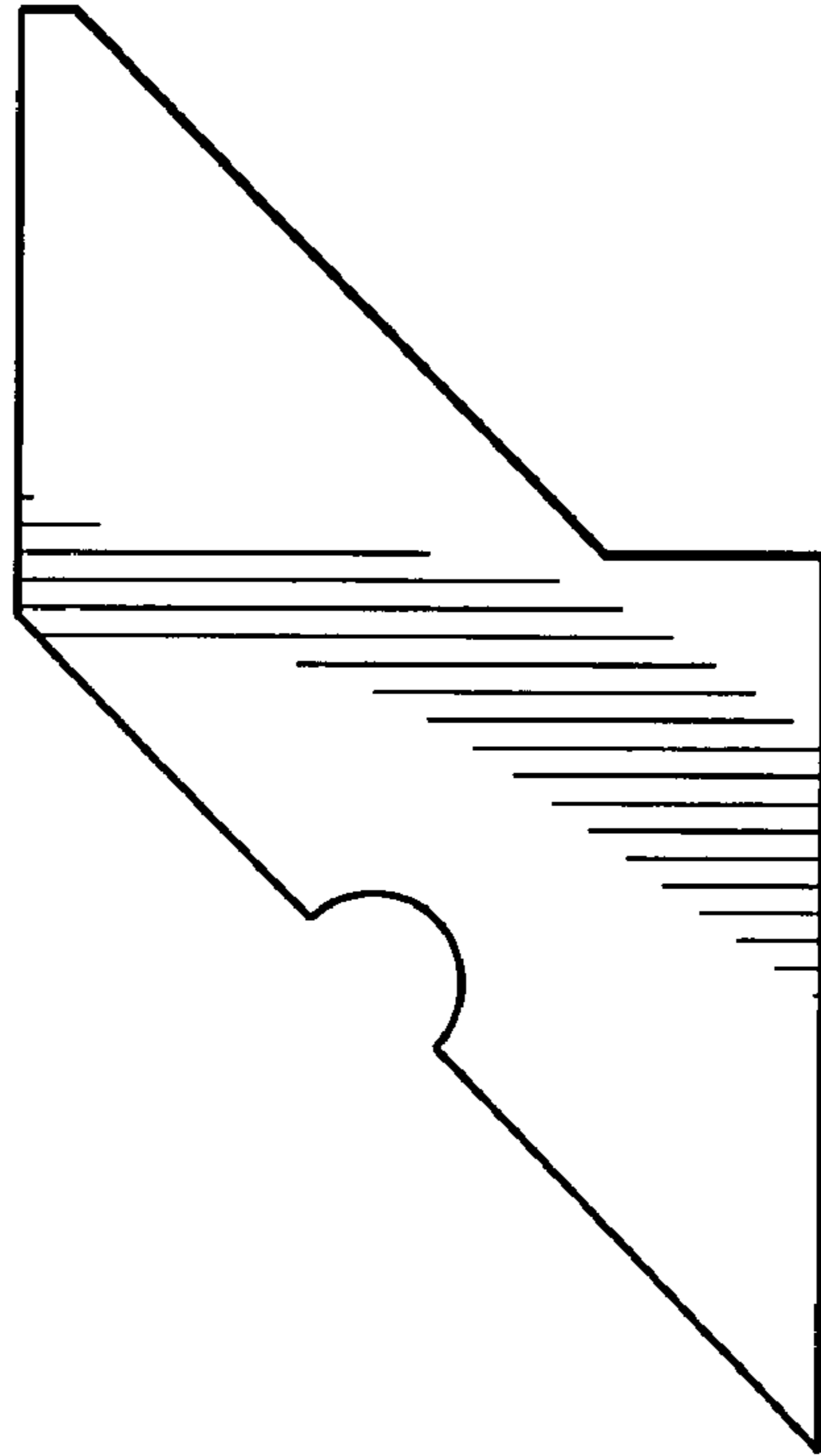


FIG. 15

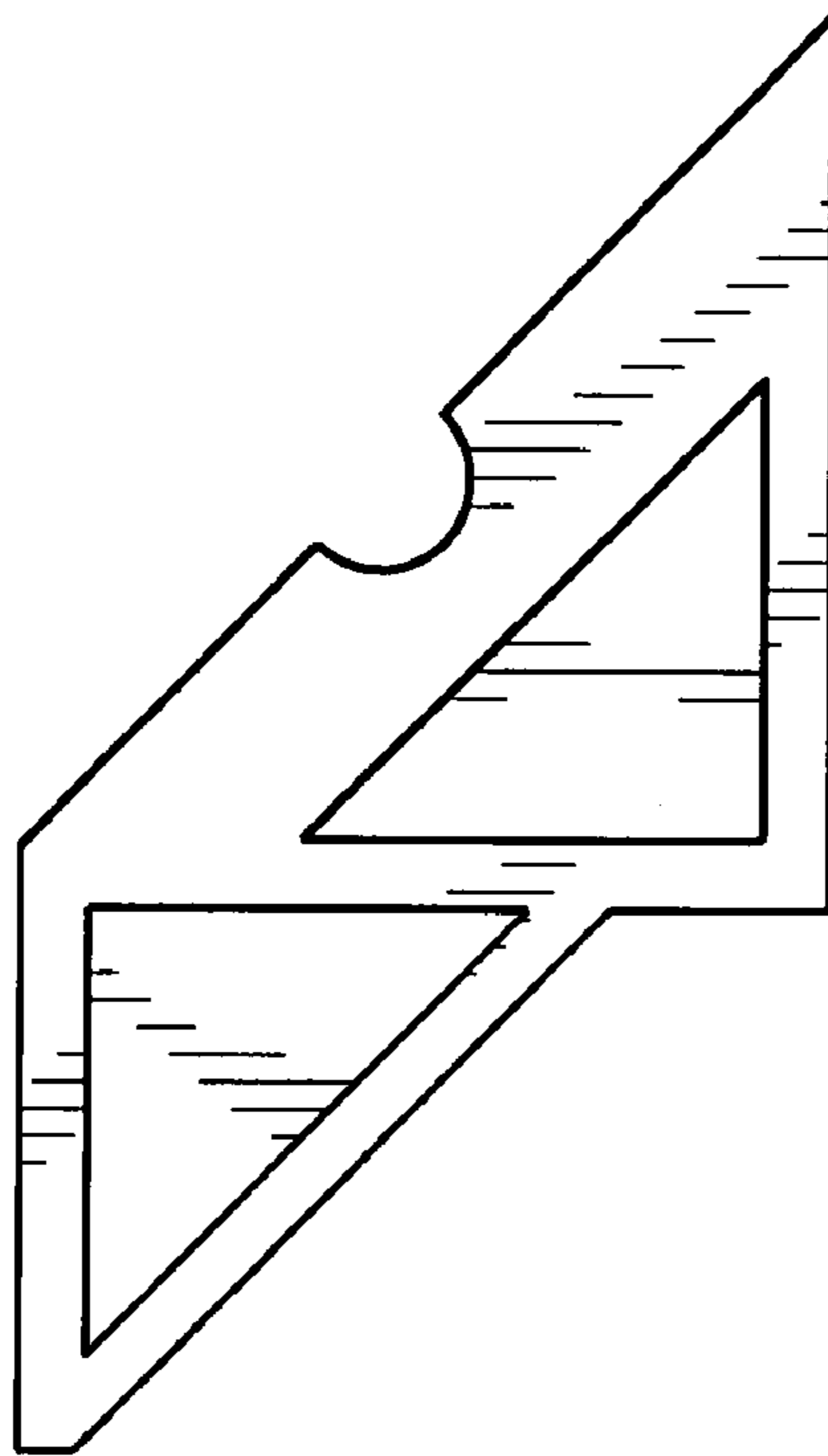


FIG. 14

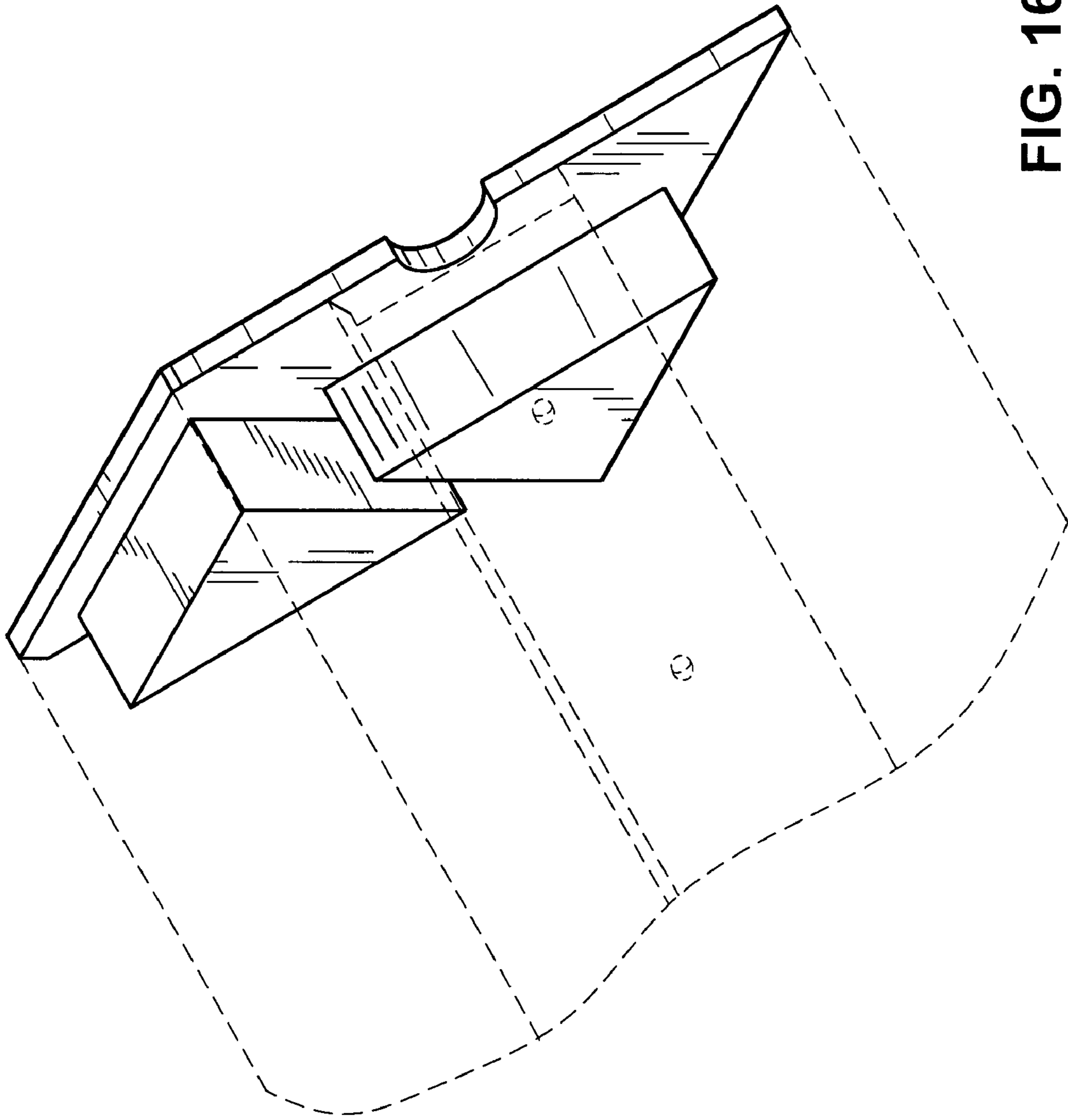


FIG. 16