



US00D574106S

(12) **United States Design Patent**
Hartman

(10) **Patent No.:** **US D574,106 S**
(45) **Date of Patent:** **** Jul. 29, 2008**

(54) **ASYMMETRIC LIGHT FIXTURE**

(76) Inventor: **Michael S. Hartman**, 201 Sweitzer Rd.,
Sinking Spring, PA (US) 19608

(**) Term: **14 Years**

(21) Appl. No.: **29/265,708**

(22) Filed: **Sep. 6, 2006**

(51) **LOC (8) Cl.** **26-99**

(52) **U.S. Cl.** **D26/120**

(58) **Field of Classification Search** D26/67,
D26/34, 138, 140, 120, 142, 118, 72, 86,
D26/87, 84, 75, 76, 144, 85; 248/230.5,
248/156; 362/373, 477, 473, 231; D10/104;
D8/373, 354; D6/579; D13/180

See application file for complete search history.

(56) **References Cited**

U.S. PATENT DOCUMENTS

D158,803 S * 5/1950 Russell D26/76

(Continued)

FOREIGN PATENT DOCUMENTS

JP 2004055304 2/2004

Primary Examiner—Freda S. Nunn

Assistant Examiner—Kevin K Rudzinski

(74) *Attorney, Agent, or Firm*—Synnestvedt & Lechner LLP

(57) **CLAIM**

The ornamental design for an asymmetric light fixture, as shown and described.

DESCRIPTION

FIG. 1 is a perspective view of a first embodiment of my design for an asymmetric light fixture;

FIG. 2 is a front view of the asymmetric light fixture shown in FIG. 1;

FIG. 3 is a right side view of the asymmetric light fixture shown in FIG. 1;

FIG. 4 is a left side view of the asymmetric light fixture shown in FIG. 1;

FIG. 5 is a top plan view of the asymmetric light fixture shown in FIG. 1;

FIG. 6 is a bottom plan view of the asymmetric light fixture shown in FIG. 1;

FIG. 7 is a rear view of the asymmetric light fixture shown in FIG. 1;

FIG. 8 is a perspective view of a second embodiment of my design for an asymmetric light fixture that is a mirror image of the embodiment shown in FIG. 1, the other views of the second embodiment being respective mirror images of the views shown in FIGS. 2–7;

FIG. 9 is a perspective view of a third embodiment of my design for an asymmetric light fixture;

FIG. 10 is a front view of the asymmetric light fixture shown in FIG. 9;

FIG. 11 is a right side view of the asymmetric light fixture shown in FIG. 9;

FIG. 12 is a left side view of the asymmetric light fixture shown in FIG. 9;

FIG. 13 is a top plan view of the asymmetric light fixture shown in FIG. 9;

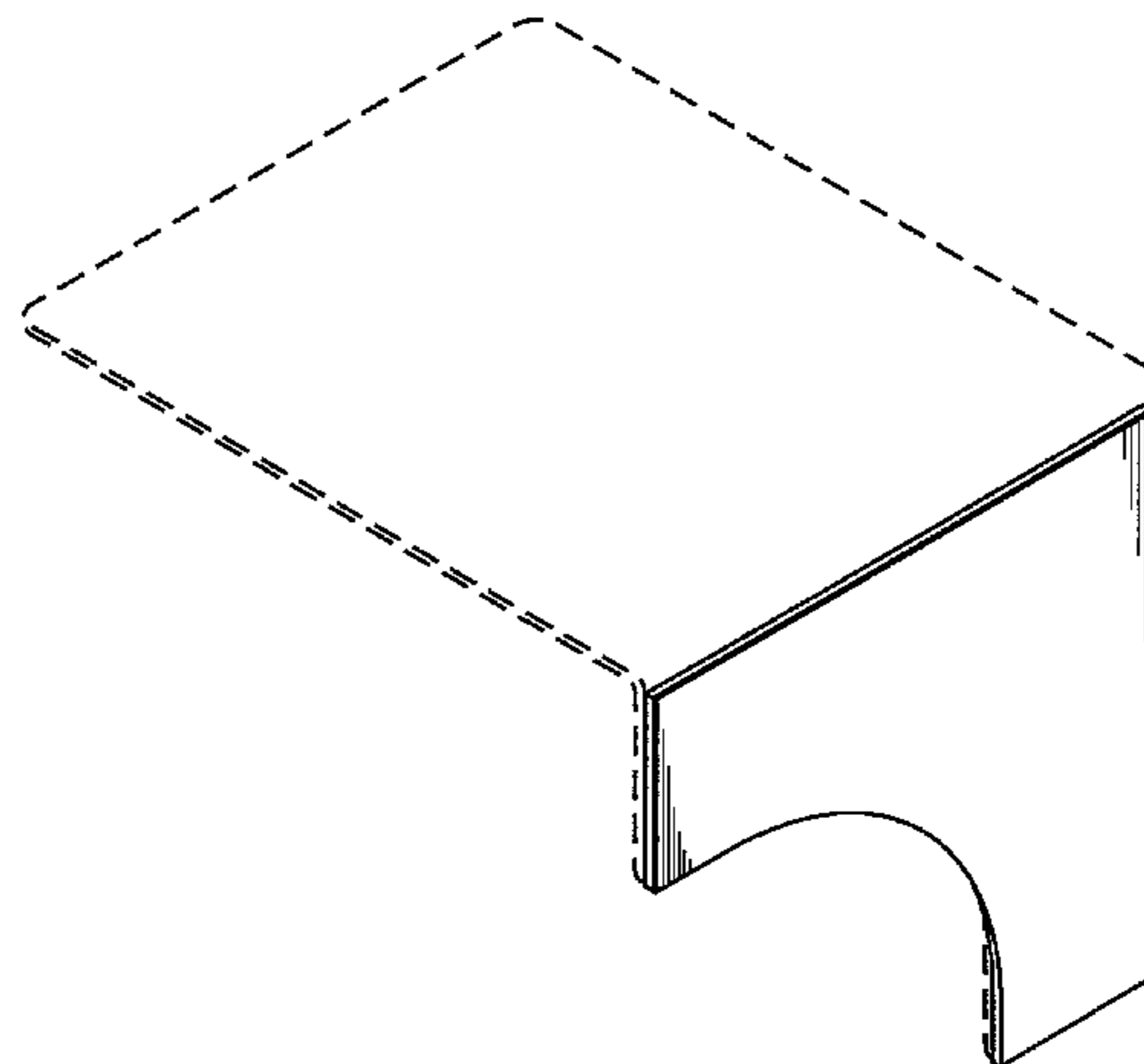
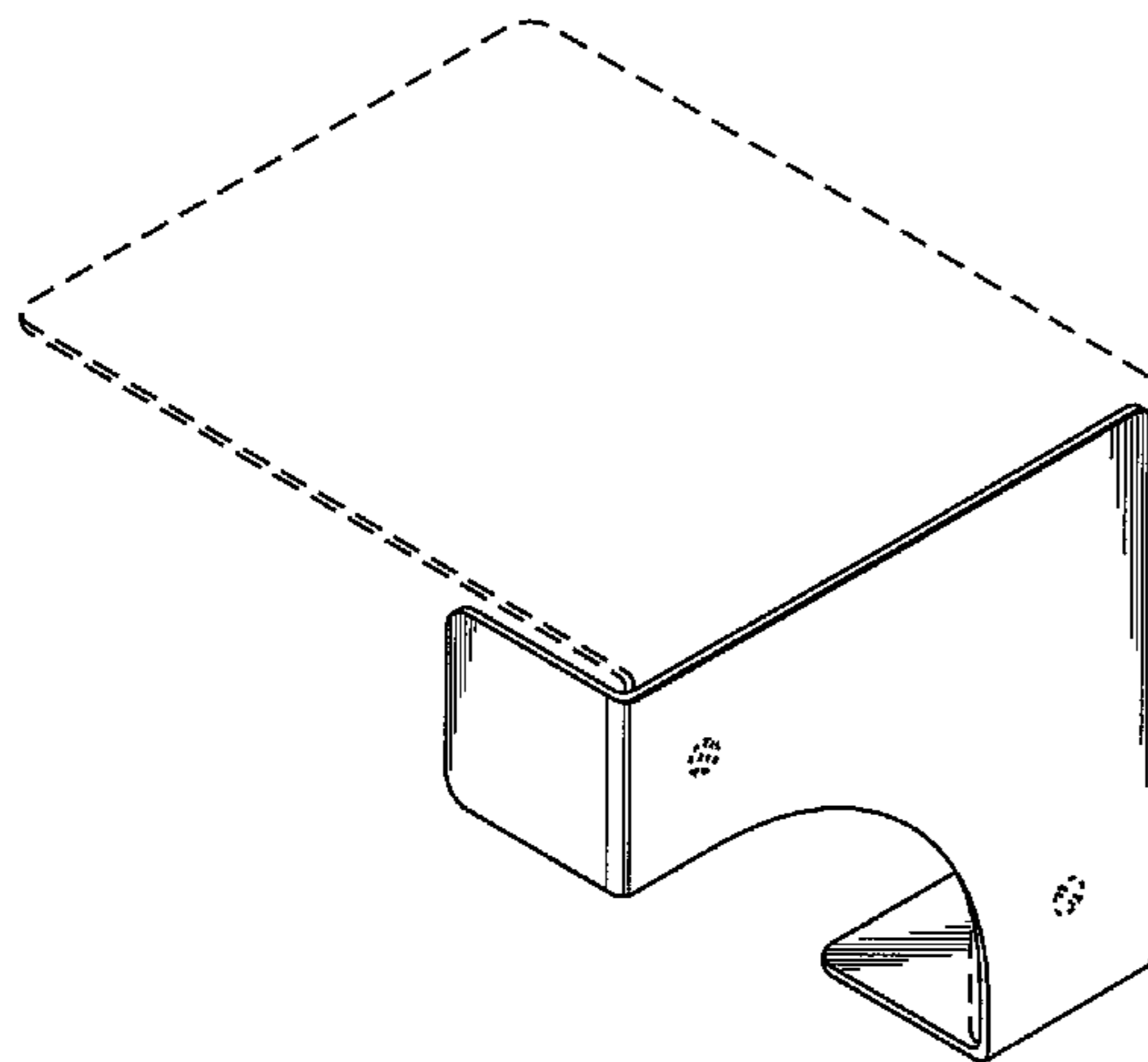
FIG. 14 is a bottom plan view of the asymmetric light fixture shown in FIG. 9;

FIG. 15 is a rear view of the asymmetric light fixture shown in FIG. 9; and,

FIG. 16 is a perspective view of a fourth embodiment of my design for an asymmetric light fixture that is a mirror image of the embodiment shown in FIG. 9, the other views of the second embodiment being respective mirror images of the views shown in FIGS. 10–15.

The broken lines shown in the various figures are for illustrative purposes only and form no part of the claimed designs.

1 Claim, 6 Drawing Sheets



US D574,106 S

Page 2

U.S. PATENT DOCUMENTS

2,662,163	A *	12/1953	Mollner	362/151	D383,243	S *	9/1997	Fry et al.	D26/118
D191,762	S *	11/1961	Rothman	D26/76	D389,268	S *	1/1998	Kay	D26/118
D195,876	S *	8/1963	Atkin et al.	D26/63	D390,992	S *	2/1998	Shemitz	D26/63
D203,060	S *	11/1965	Schaefer	D26/76	D423,774	S *	5/2000	Peterson	D3/229
4,625,266	A	11/1986	Winter	362/146	D457,418	S *	5/2002	Ferrer Beltr.ang.n	D8/363
5,438,804	A	8/1995	Reum et al.	52/102	6,708,643	B2 *	3/2004	Traiforos	116/63 R
D369,957	S *	5/1996	Blanton	D8/373	D491,686	S *	6/2004	Citterio	D26/72
D379,548	S *	5/1997	Johnson	D26/128	D514,924	S *	2/2006	Bergnach	D6/354
D380,853	S *	7/1997	Johnson	D26/128	6,997,581	B1 *	2/2006	Shelton et al.	362/359
D382,245	S *	8/1997	Bedrosian et al.	D12/223	2006/0114680	A1	6/2006	Miller	362/370
					2006/0277823	A1	12/2006	Barnett et al.	47/33

* cited by examiner

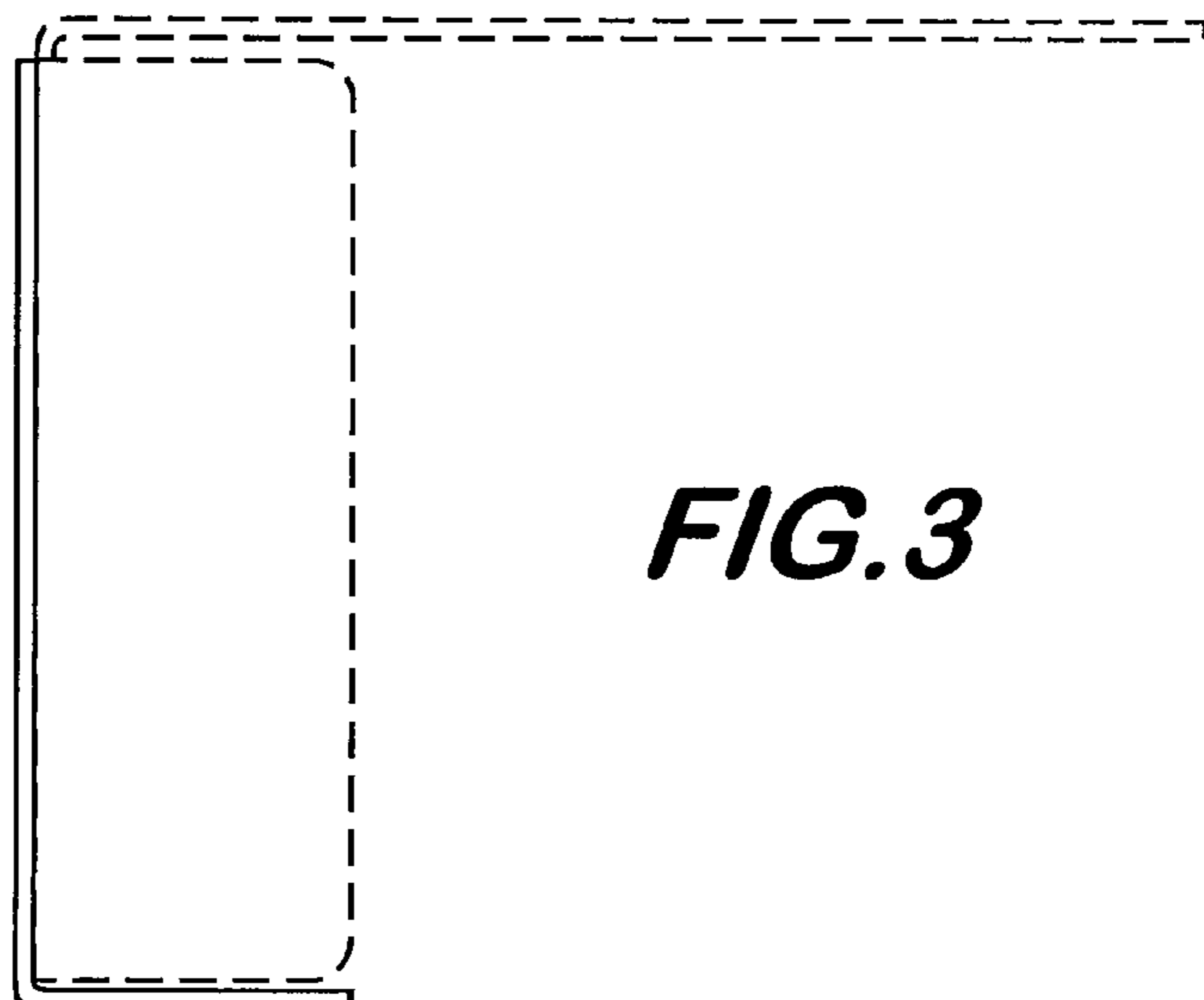
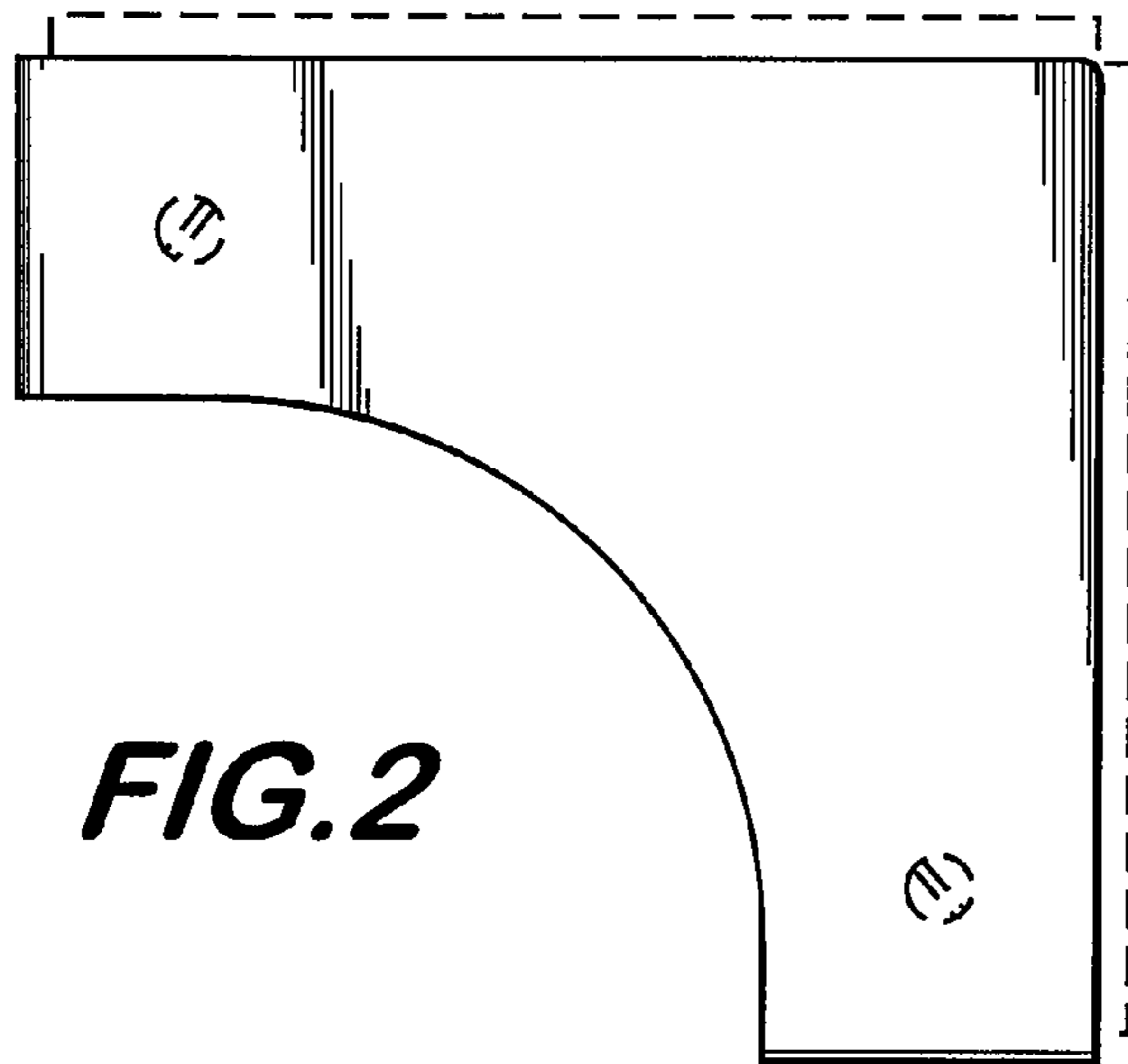
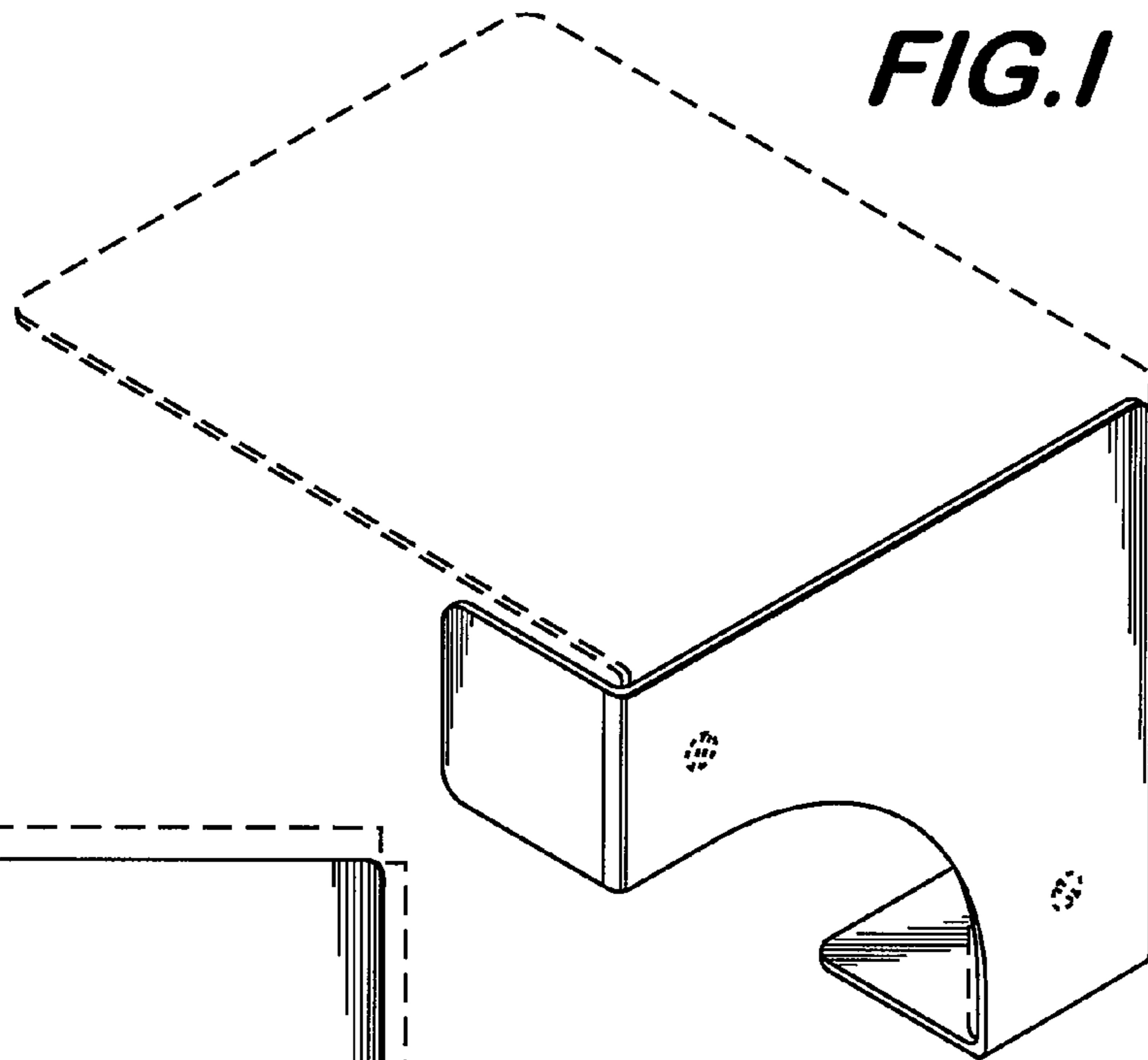


FIG. 4

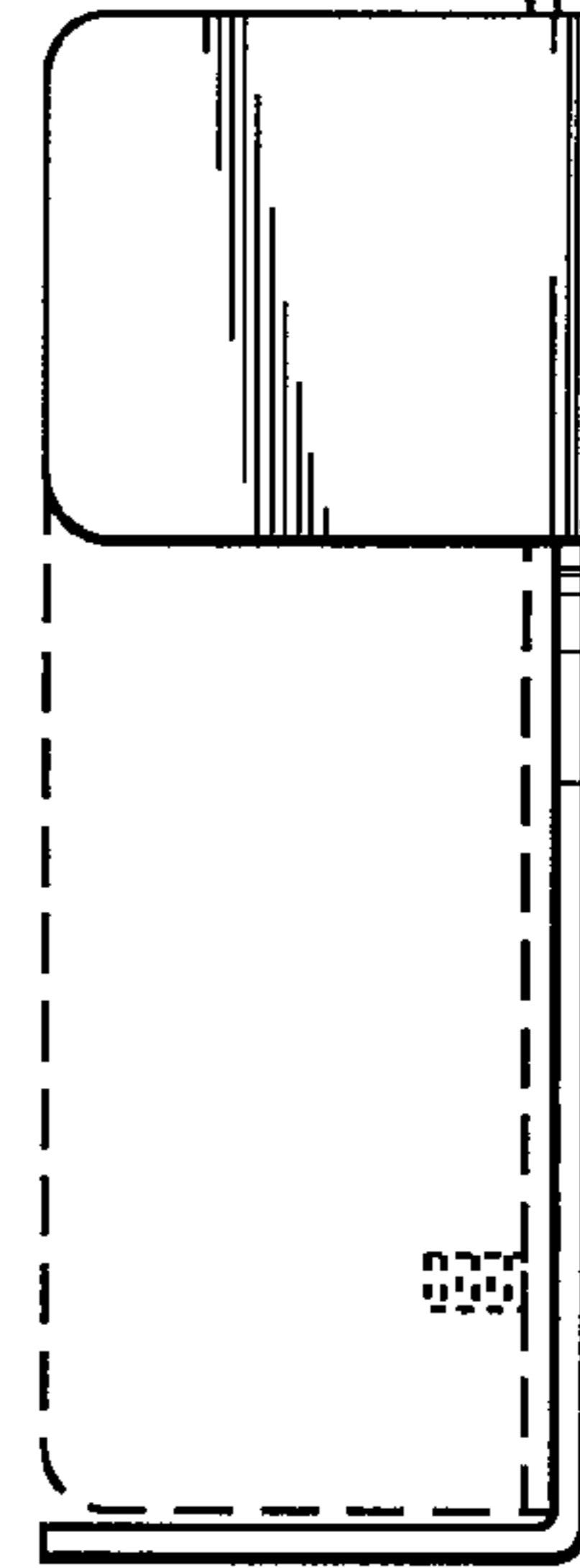


FIG. 5

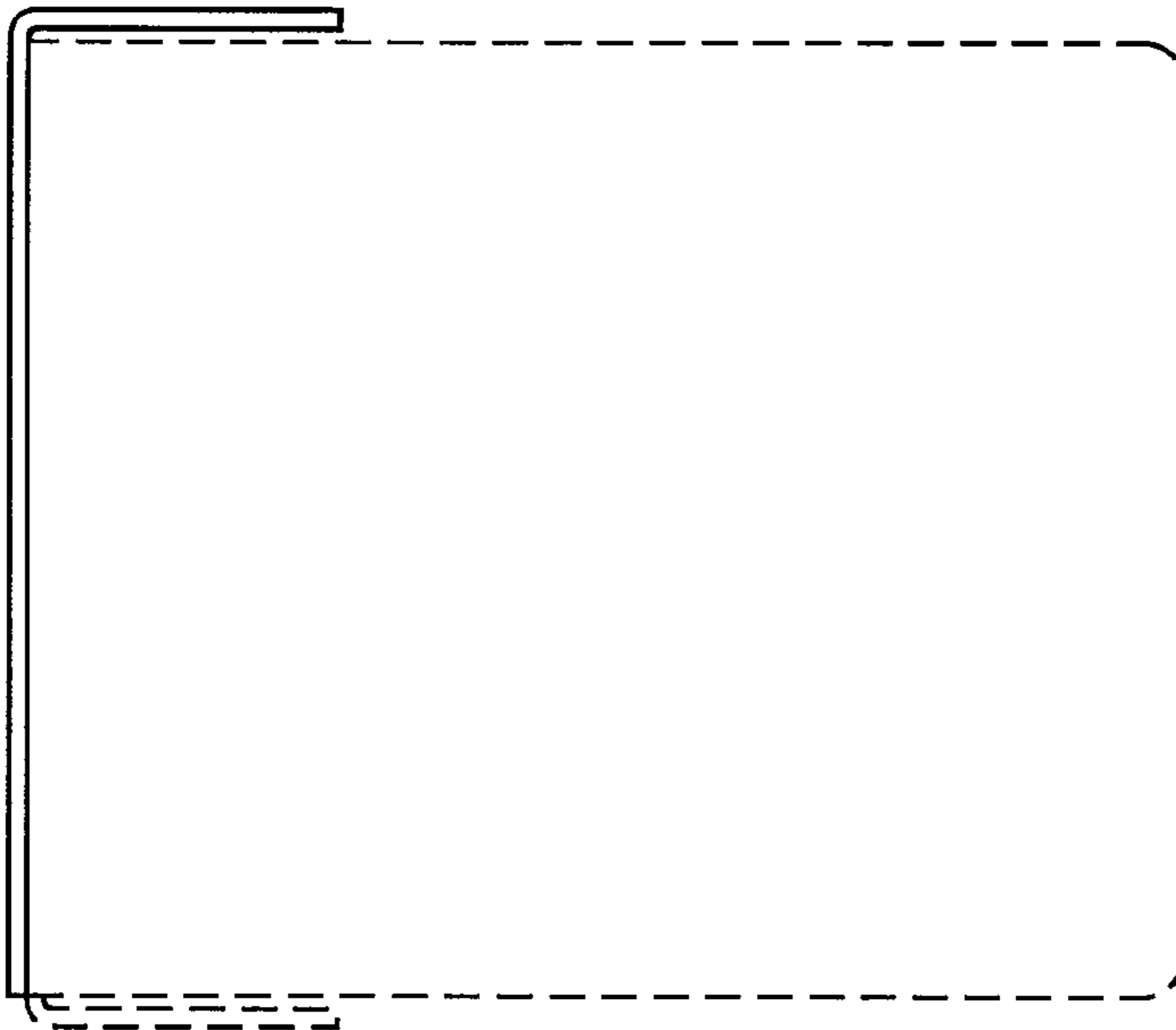


FIG. 6

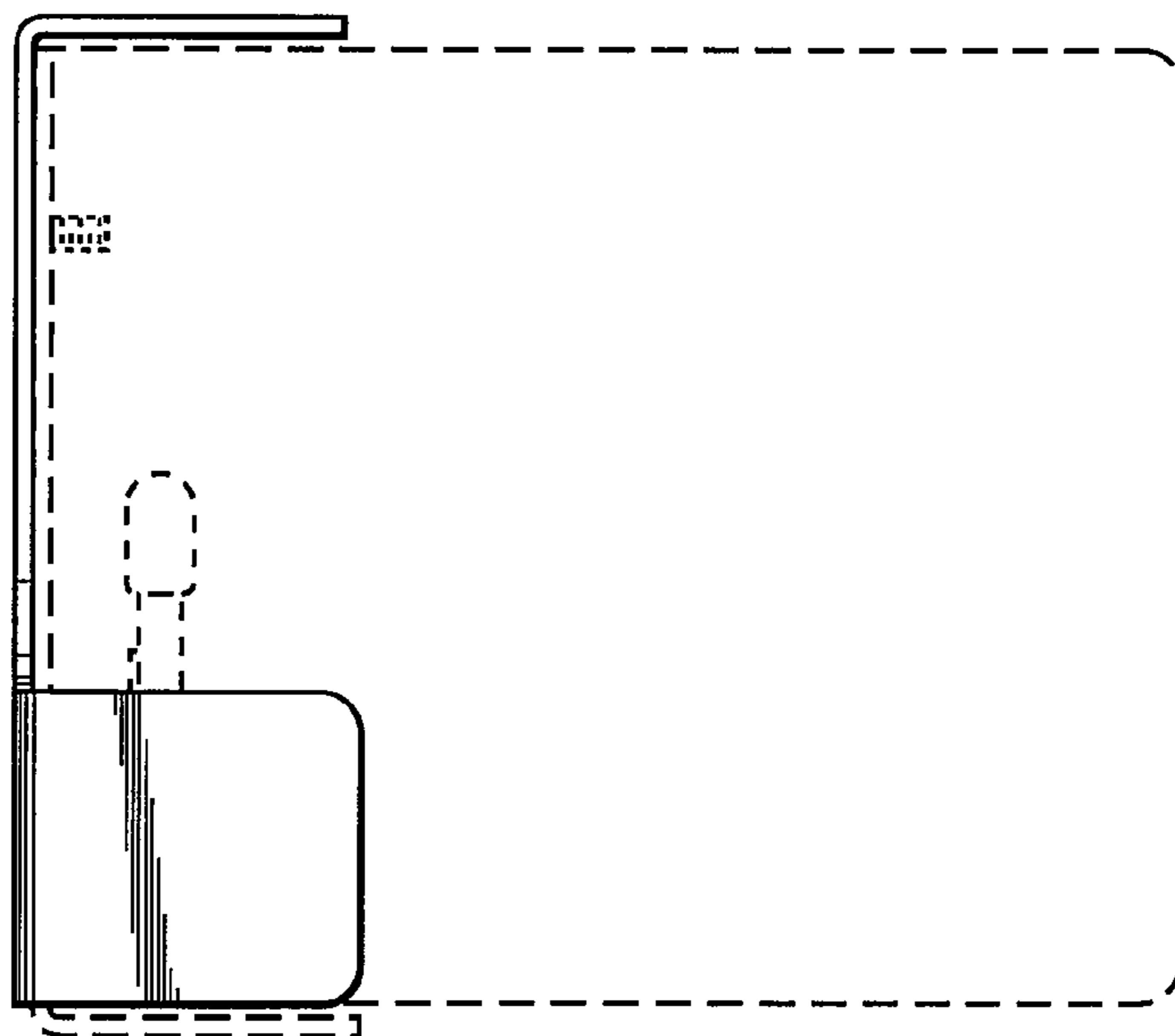


FIG. 7

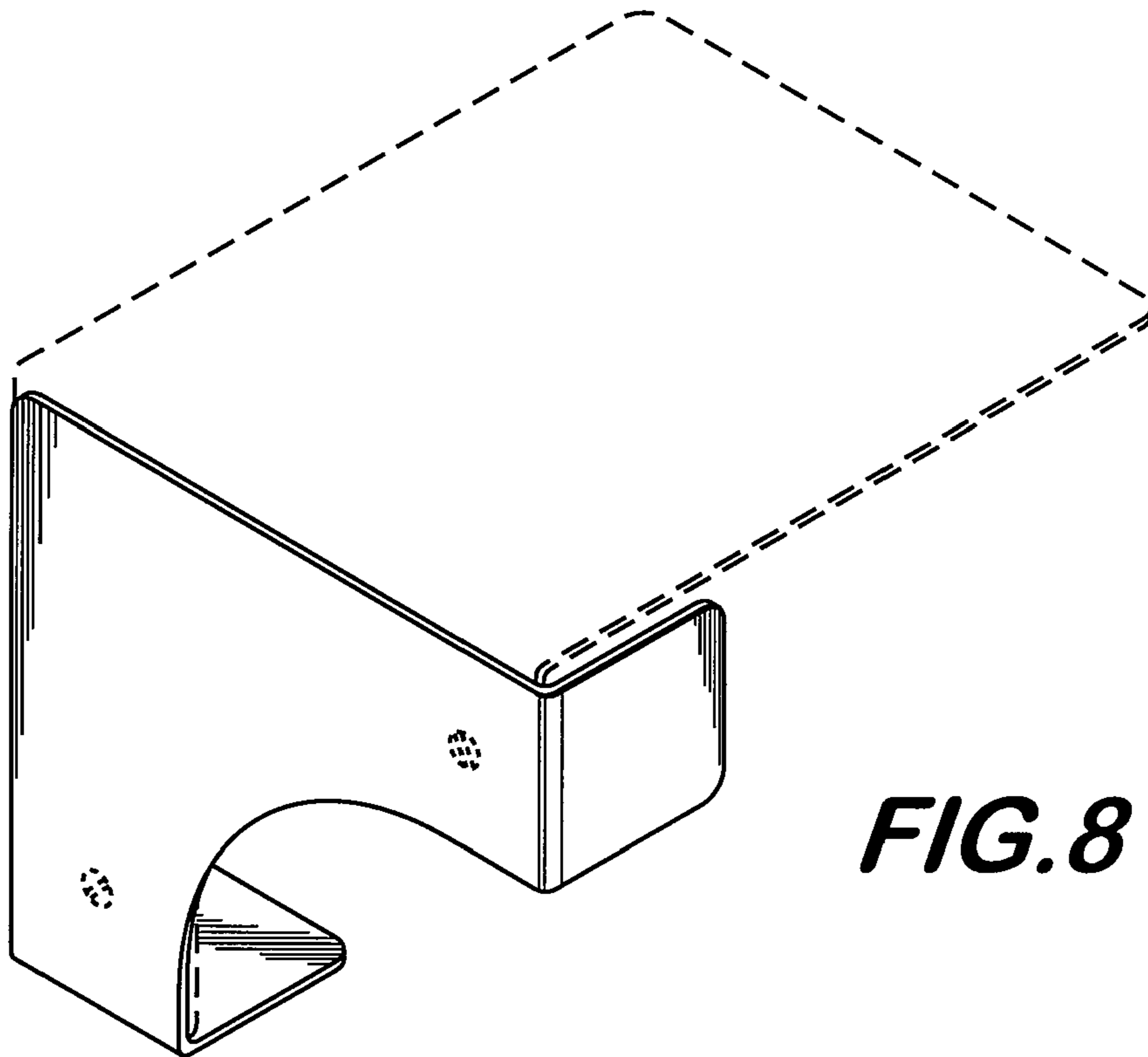
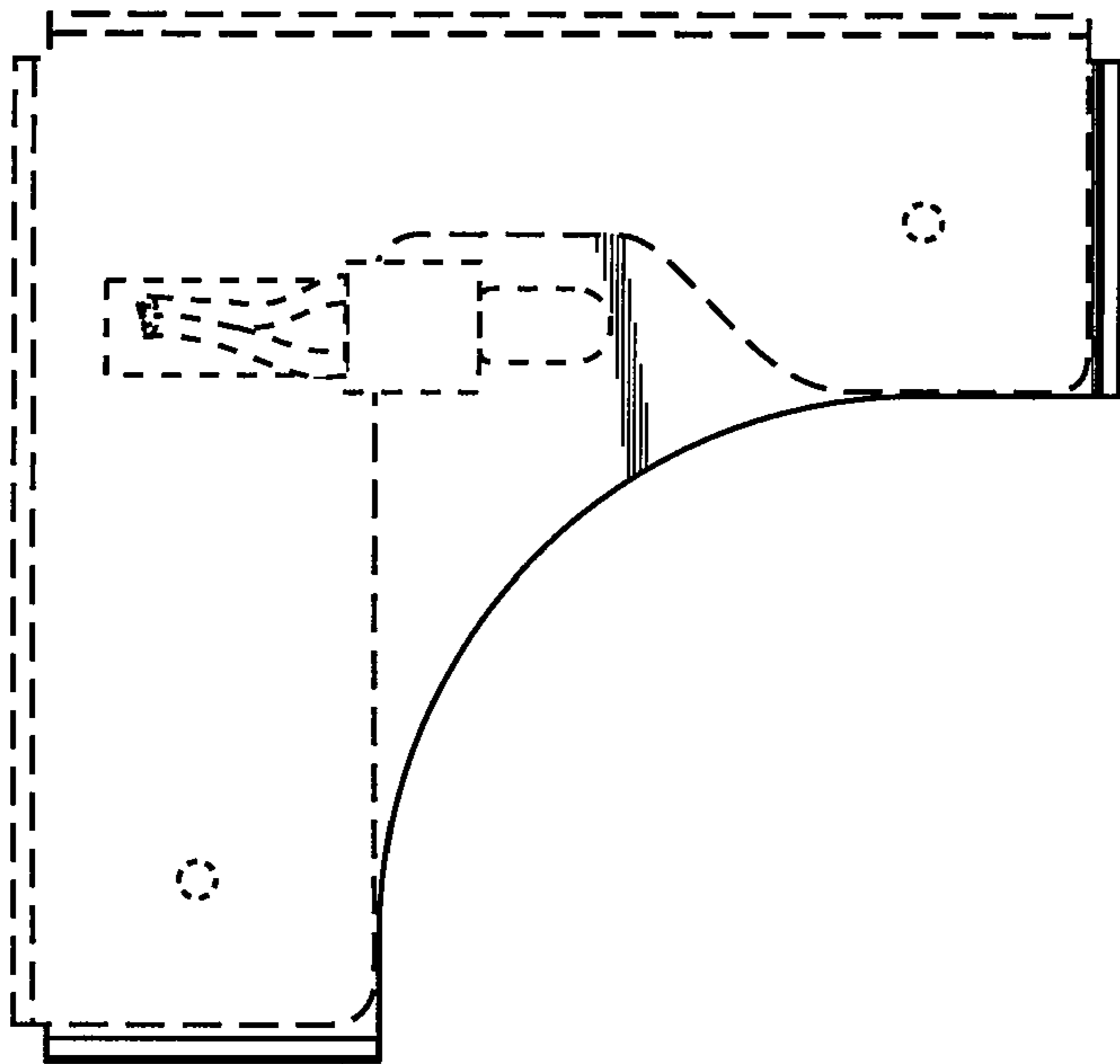


FIG. 8

FIG.9

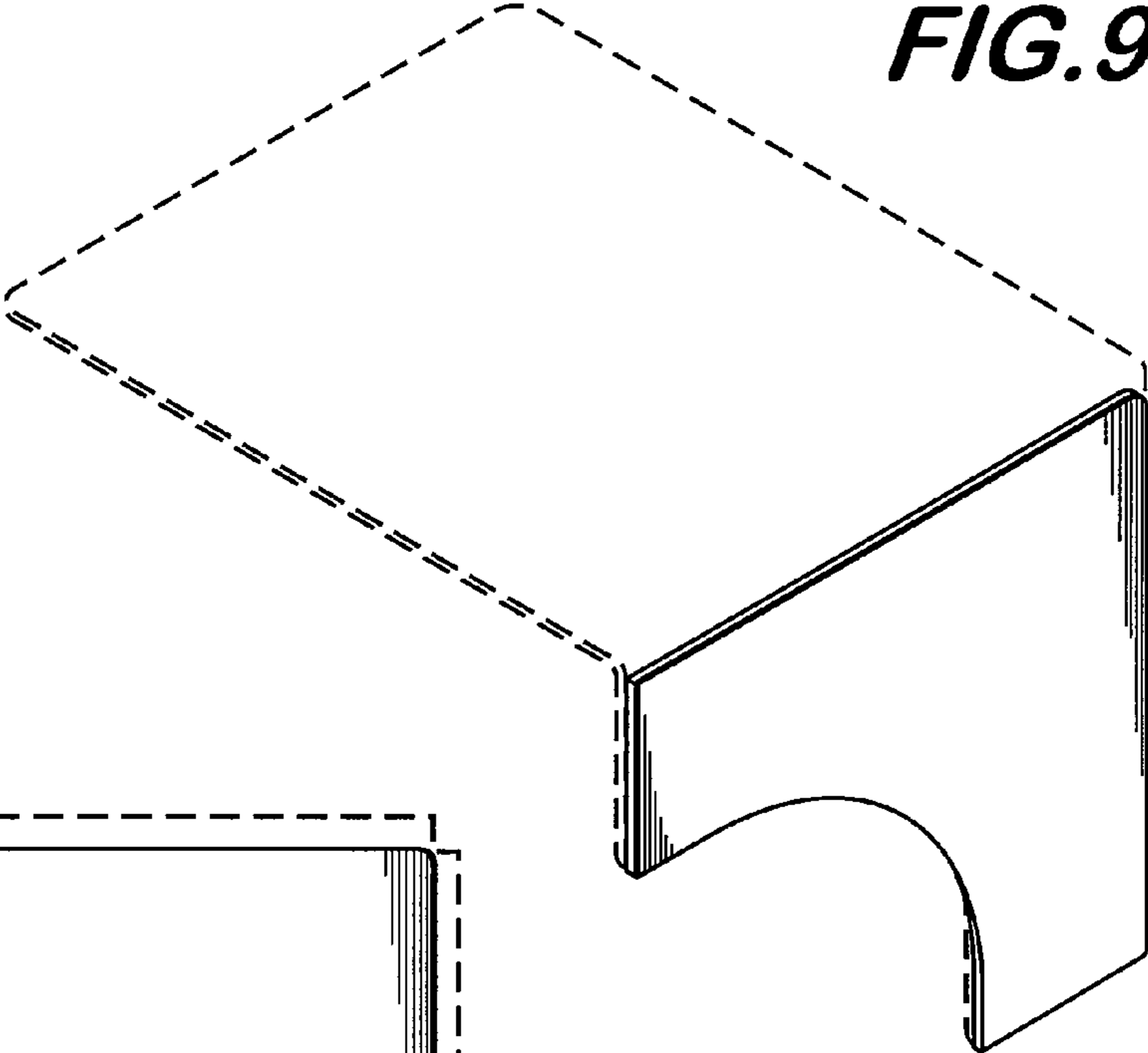


FIG.10

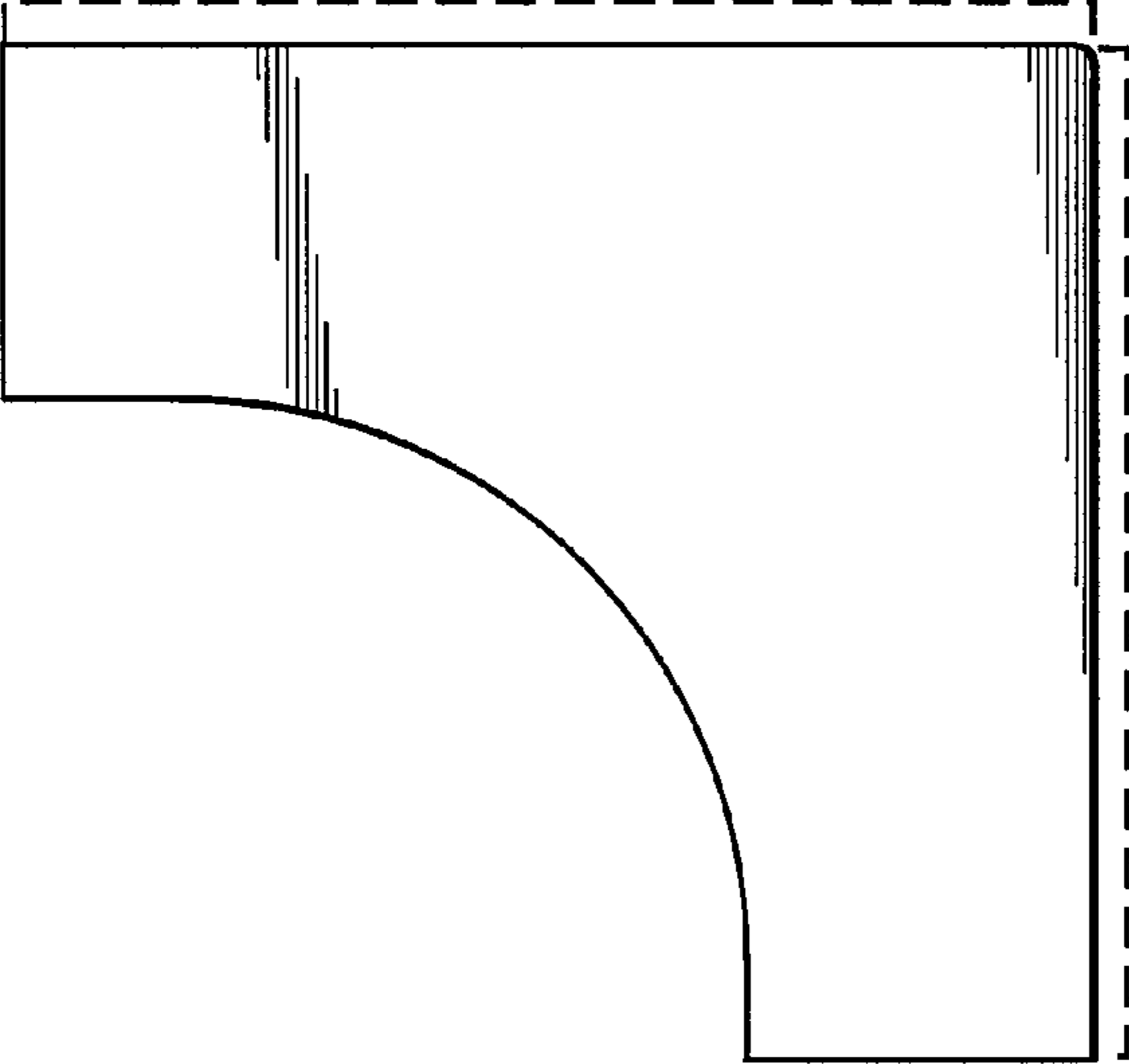


FIG.11

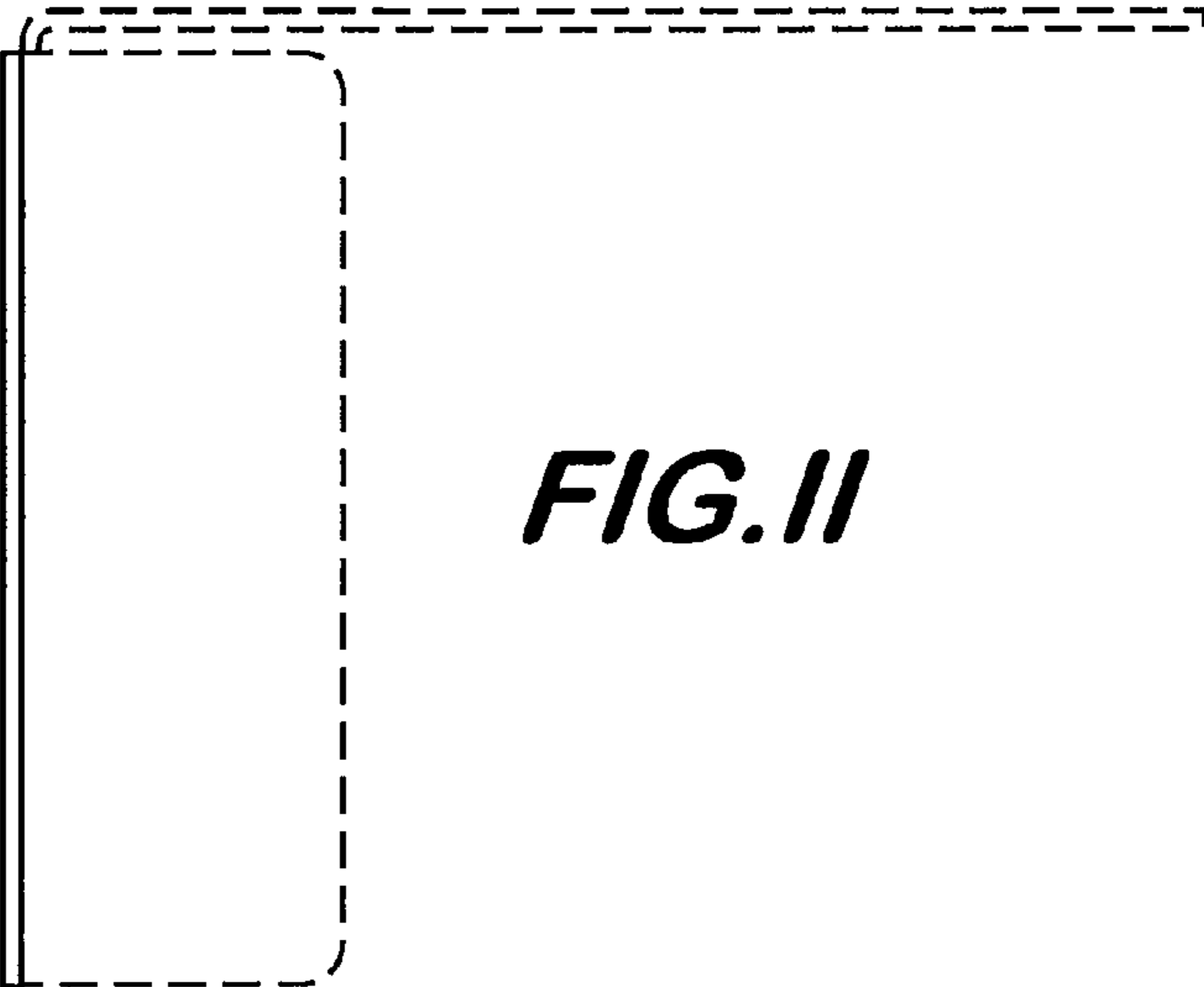


FIG.12

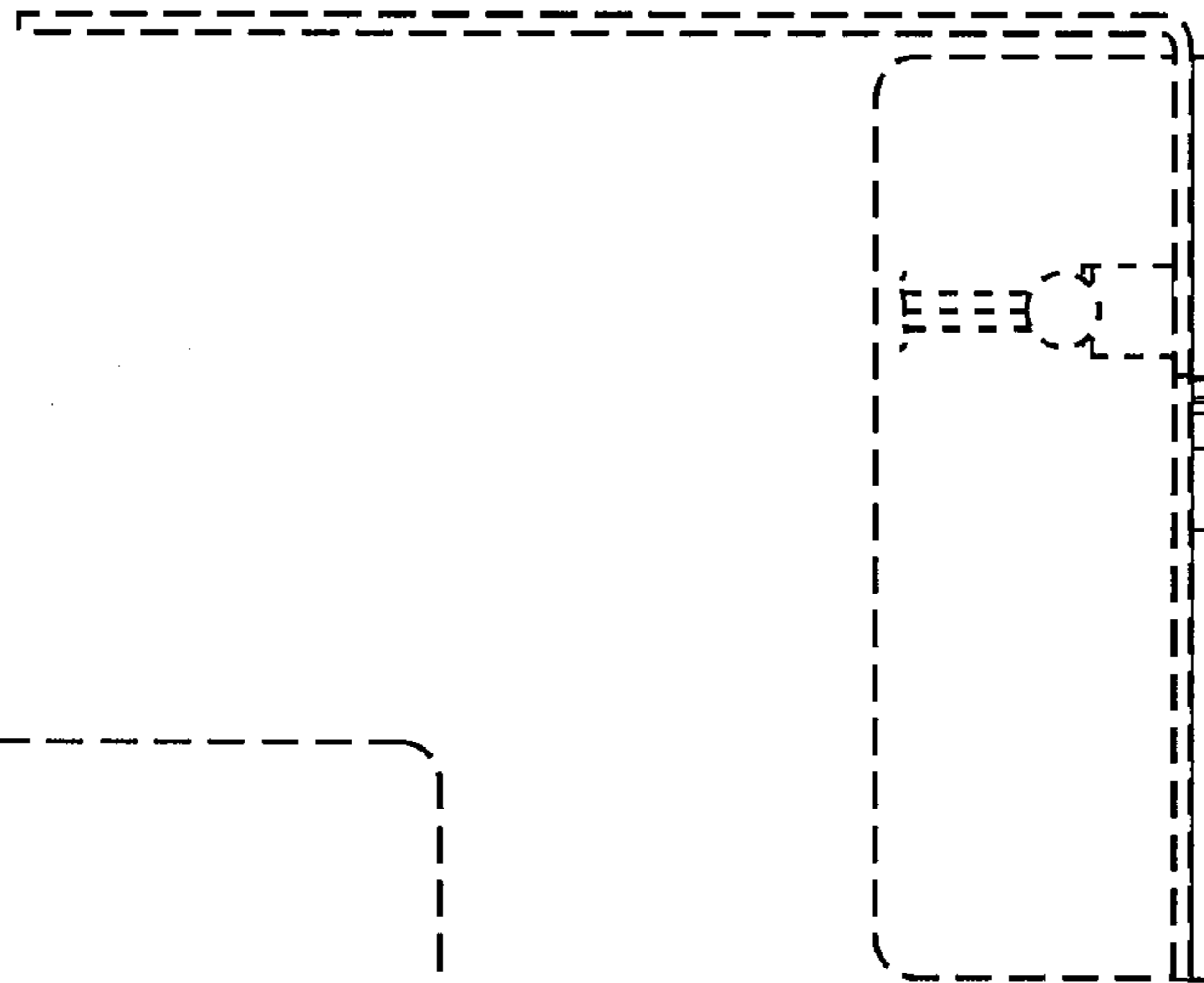


FIG.13



FIG.14

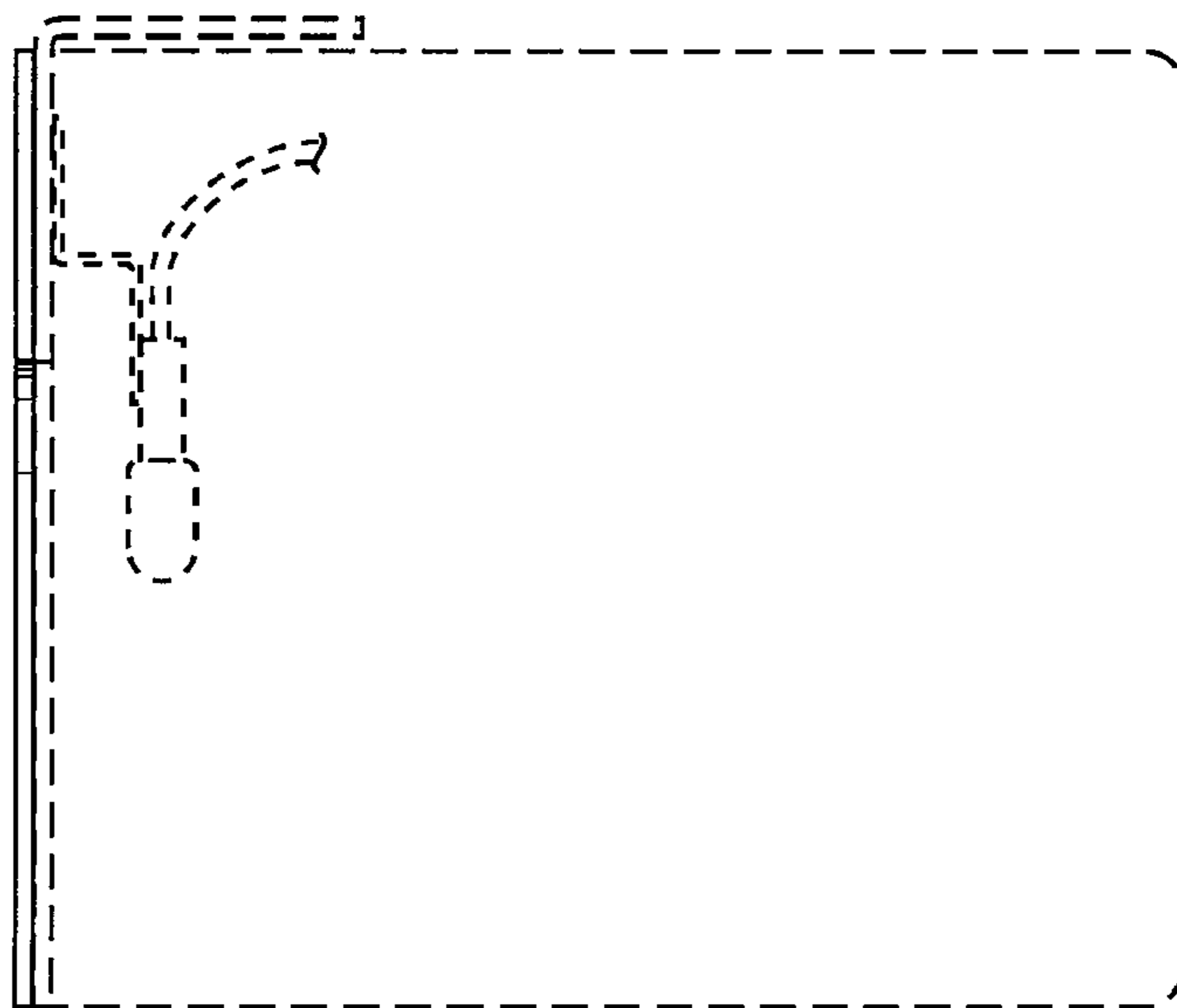


FIG.15

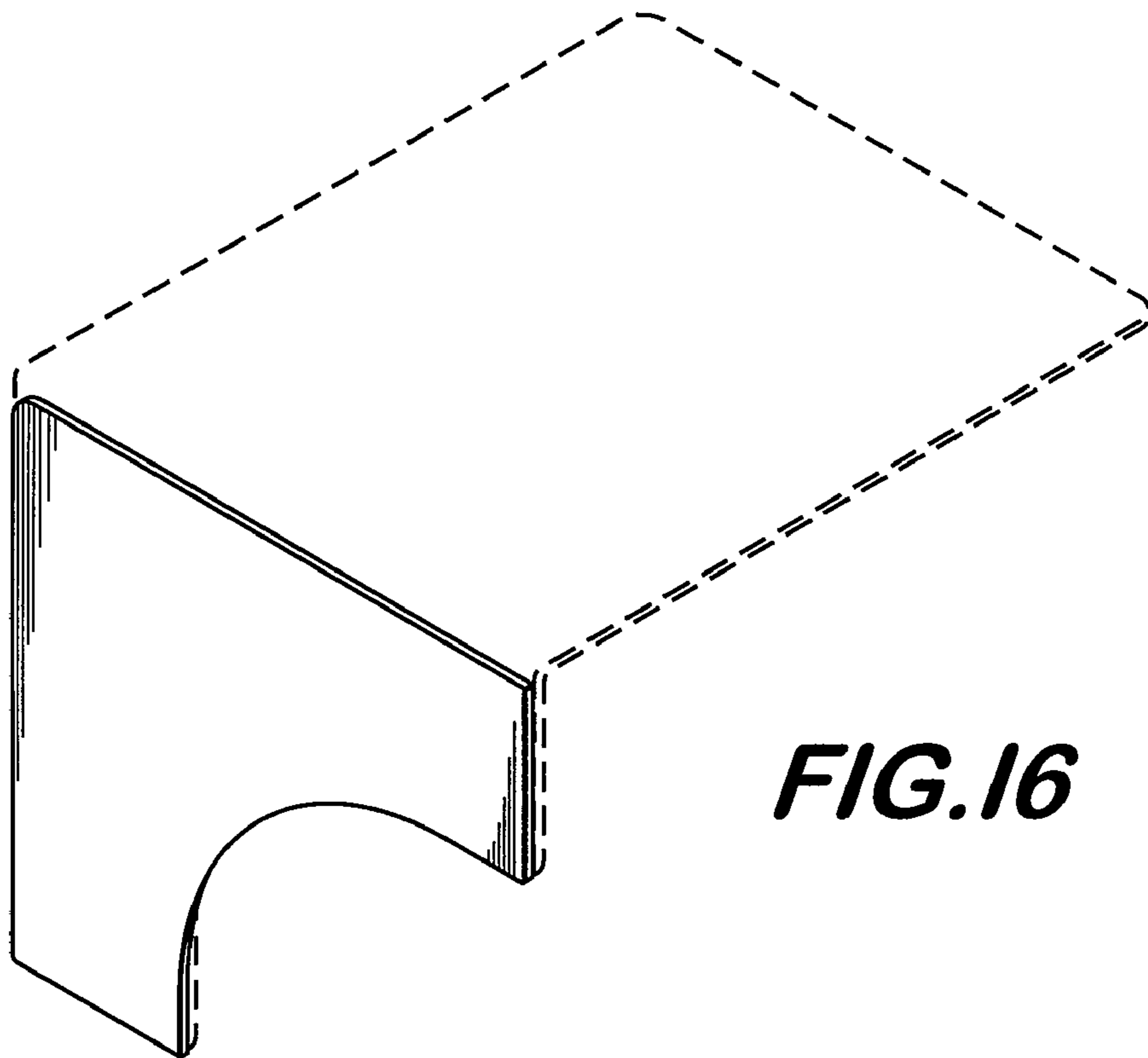
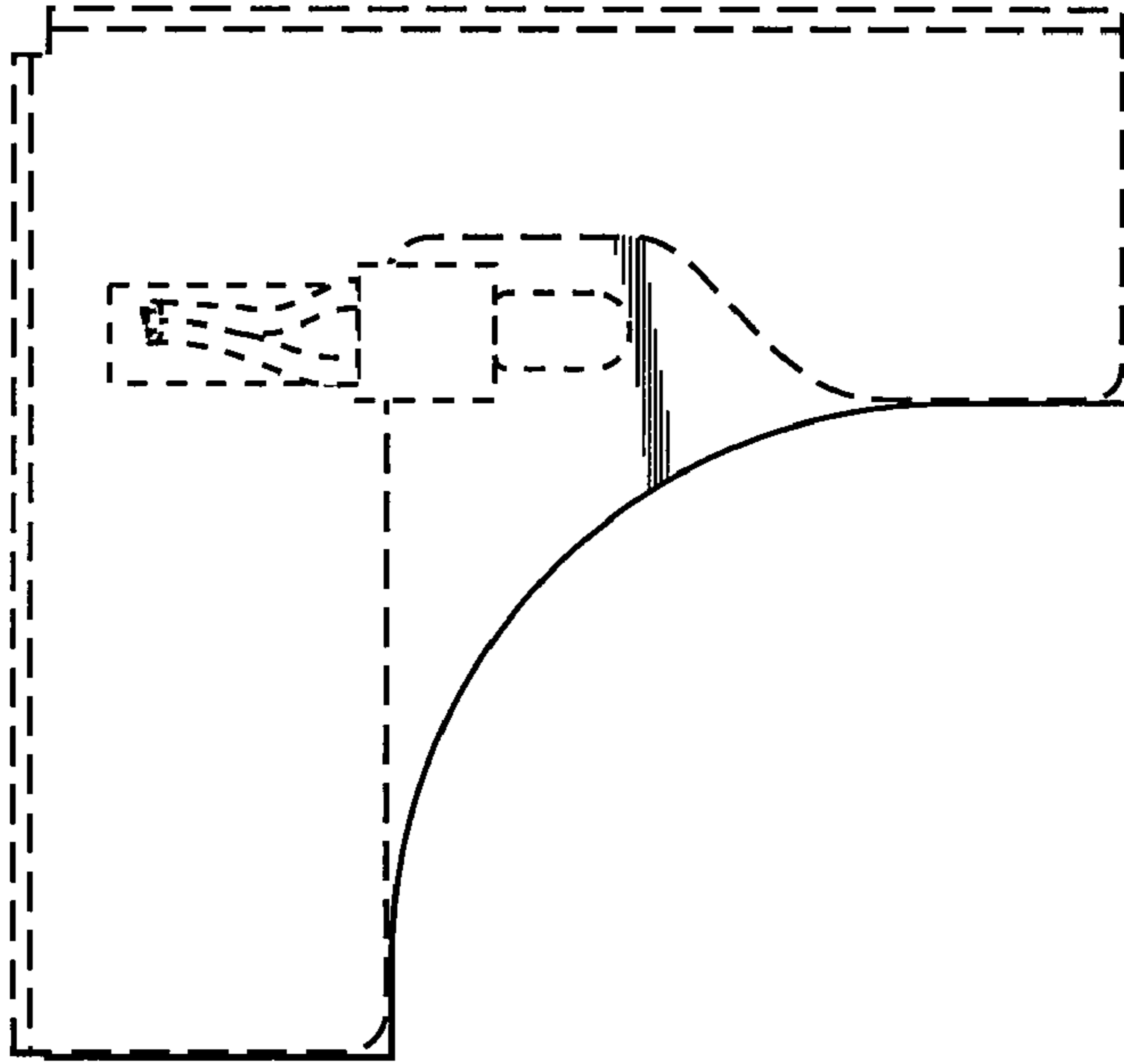


FIG.16