



US00D574103S

(12) **United States Design Patent**
Minami et al.

(10) **Patent No.:** **US D574,103 S**
(45) **Date of Patent:** **** Jul. 29, 2008**

(54) **OUTDOOR LIGHTING FIXTURE**

(75) Inventors: **Schoichi Minami**, Sao Barnardo do Campo (BR); **Jorge Rodrigues Alves**, Sao Paulo (BR)

(73) Assignee: **Schreder, S.A.**, Brussels (BE)

(**) Term: **14 Years**

(21) Appl. No.: **29/291,870**

(22) Filed: **Sep. 19, 2007**

(51) **LOC (8) Cl.** **26-05**

(52) **U.S. Cl.** **D26/67**

(58) **Field of Classification Search** D26/67-71, D26/102, 106, 107; 362/183, 431
See application file for complete search history.

(56) **References Cited**

U.S. PATENT DOCUMENTS

D189,209 S *	11/1960	Harling	D26/67
D197,381 S *	1/1964	Müller	D26/67
D201,515 S *	6/1965	Pettengill	D26/67
3,721,516 A *	3/1973	Reese	362/431
D296,369 S *	6/1988	Harvey	D26/67
D329,099 S *	9/1992	Hall et al.	D26/67

D330,603 S *	10/1992	Kay	D26/67
6,203,178 B1 *	3/2001	Hsieh	362/431
D517,719 S *	3/2006	Sanoner	D26/68

* cited by examiner

Primary Examiner—Clare E Heflin

(74) *Attorney, Agent, or Firm*—Kirschstein, et al.

(57) **CLAIM**

The ornamental design for an outdoor lighting fixture, as shown.

DESCRIPTION

FIG. 1 is a front elevational view of an outdoor lighting fixture according to our new design;

FIG. 2 is a top plan view thereof;

FIG. 3 is a right side elevational view thereof;

FIG. 4 is a left side elevational view thereof;

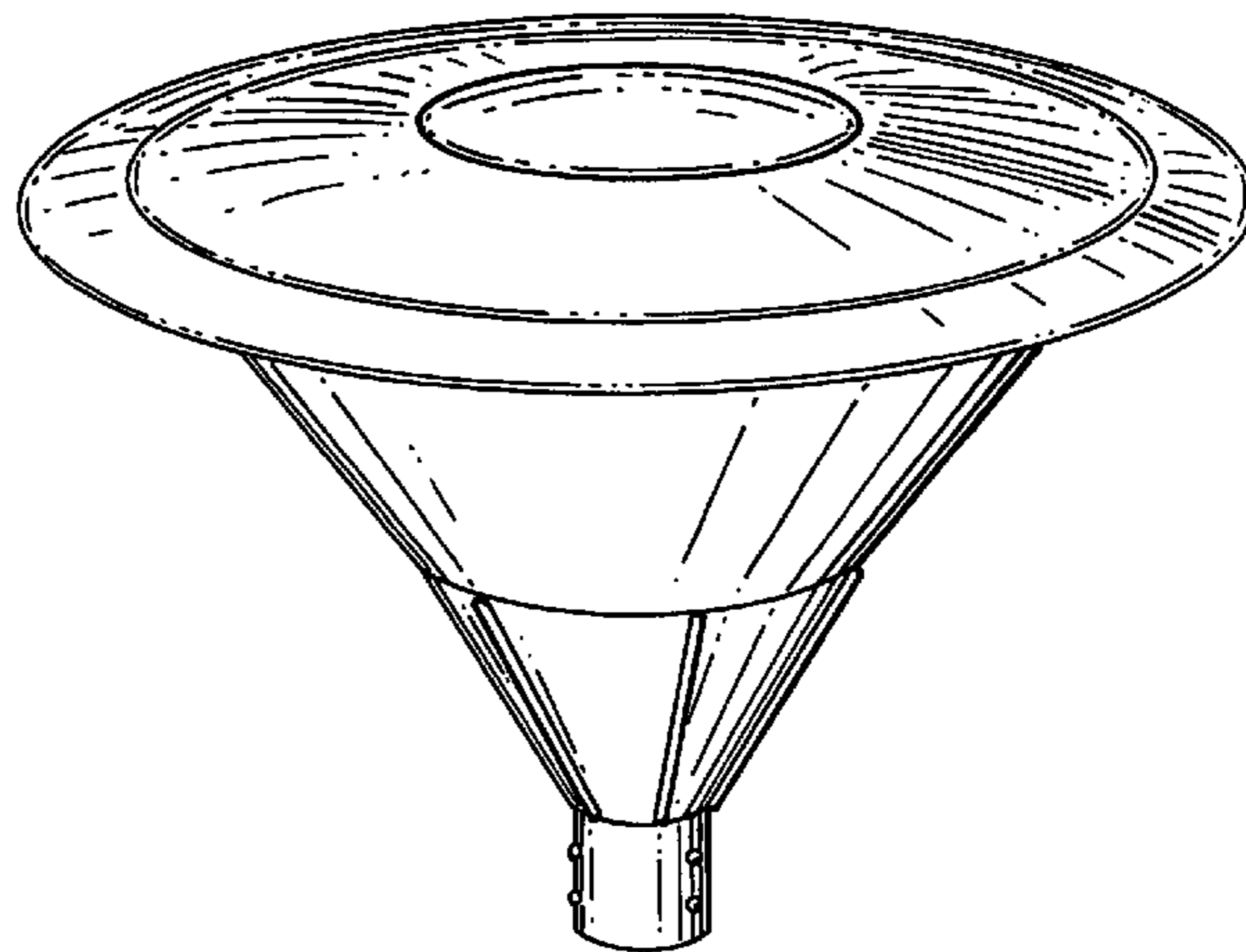
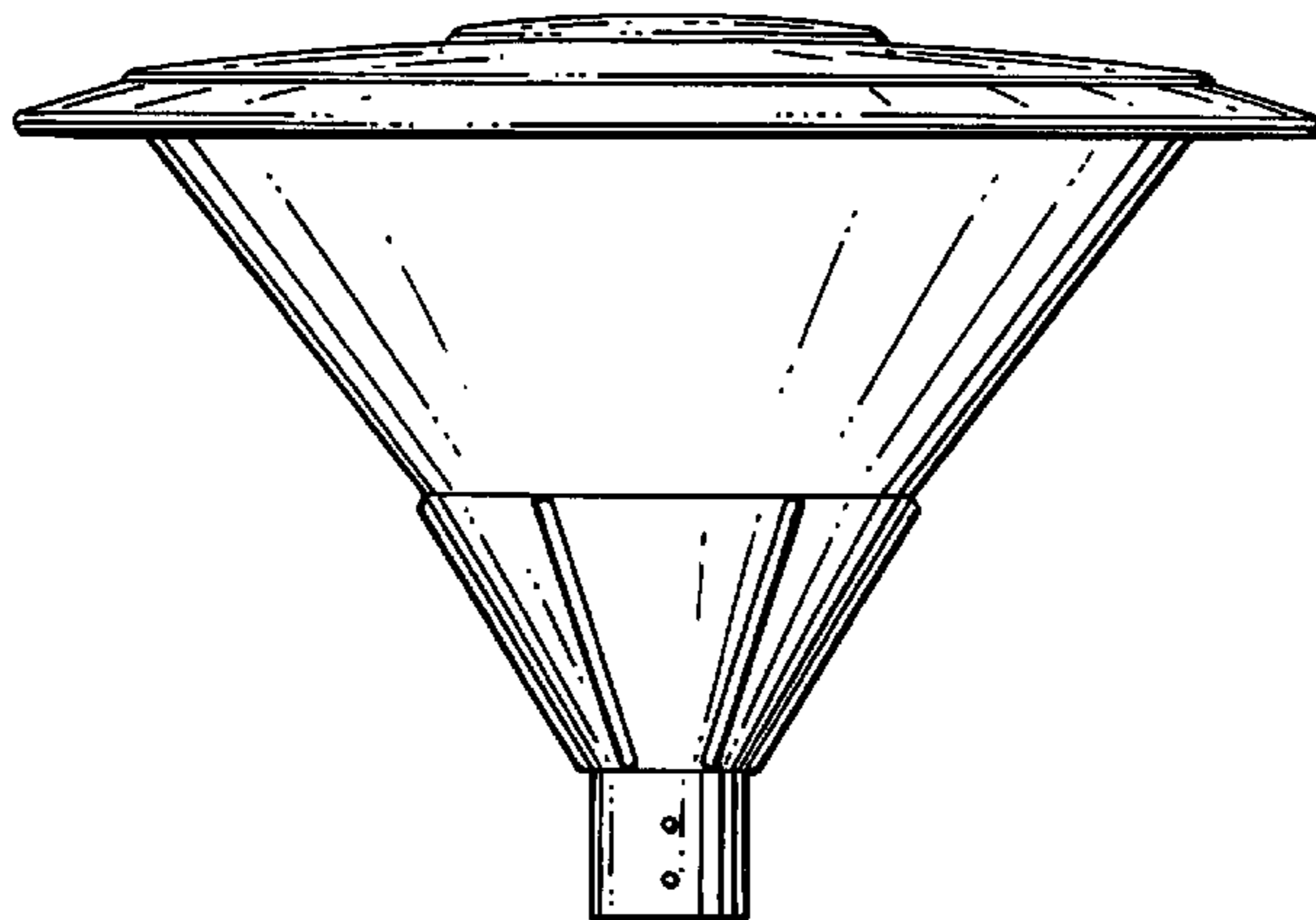
FIG. 5 is a rear elevational view thereof; and

FIG. 6 is a bottom plan view thereof.

FIG. 7 is a top, front and left side perspective view thereof; and,

FIG. 8 is a bottom rear perspective view thereof.

1 Claim, 4 Drawing Sheets



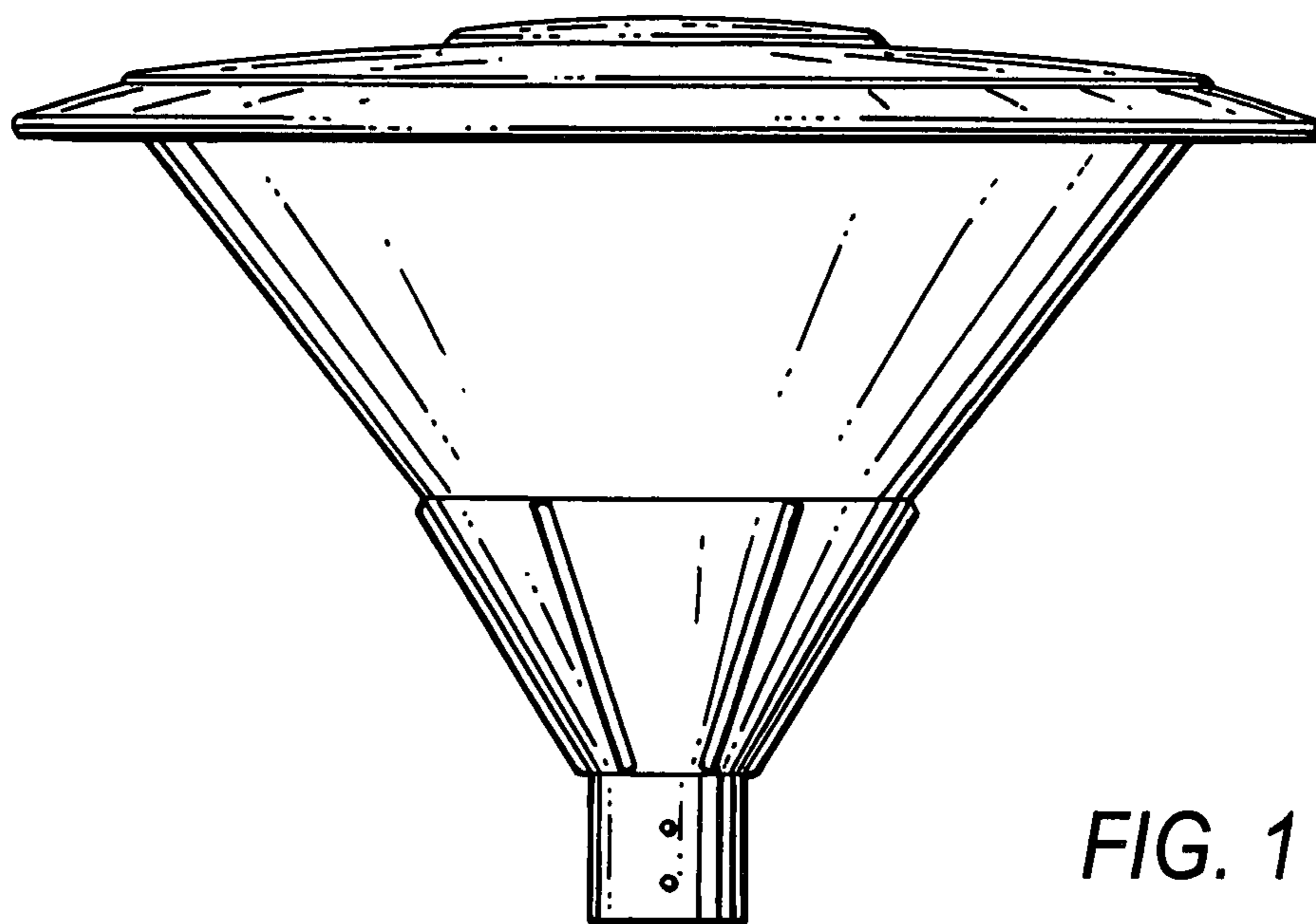


FIG. 1

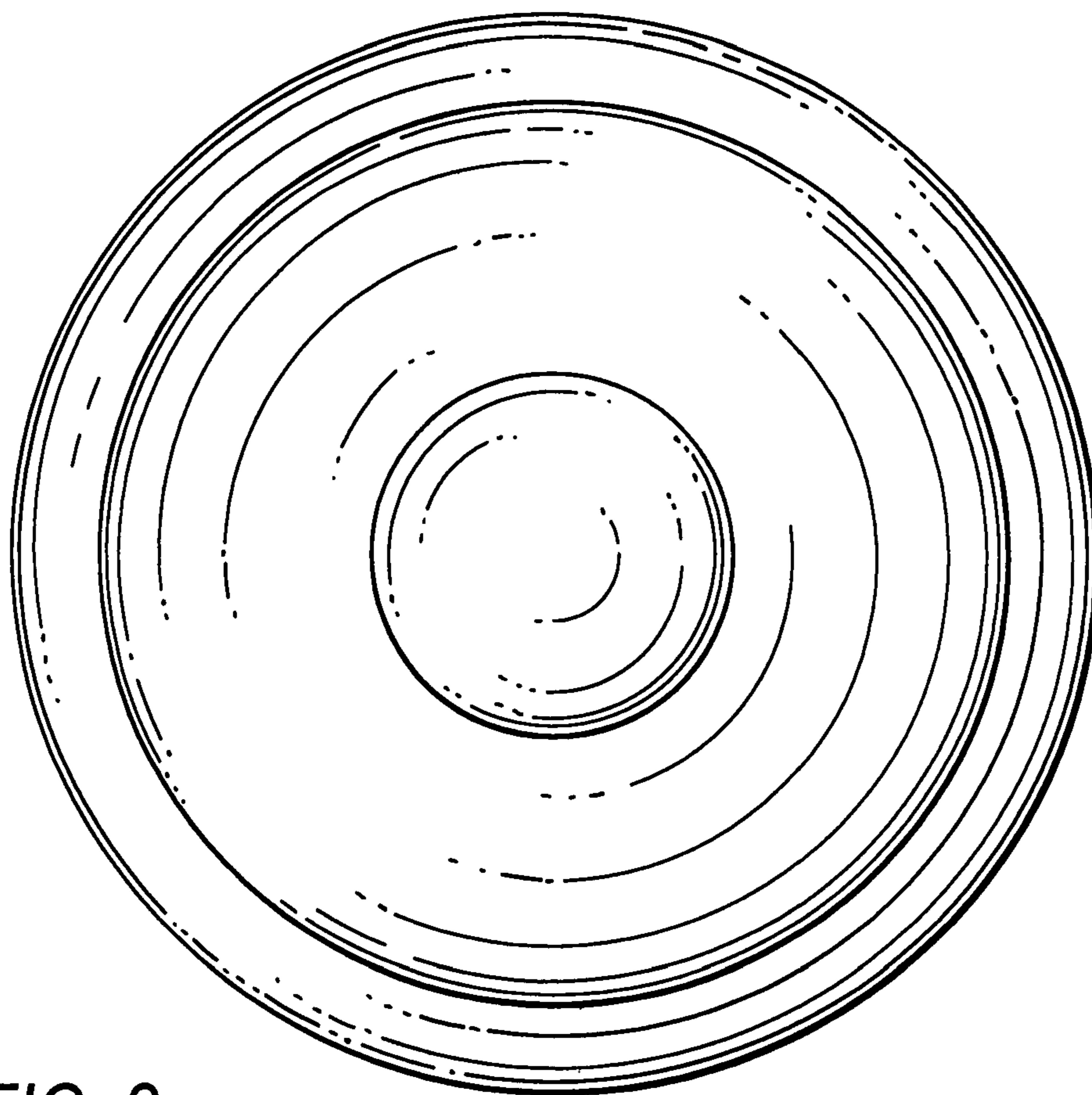


FIG. 2

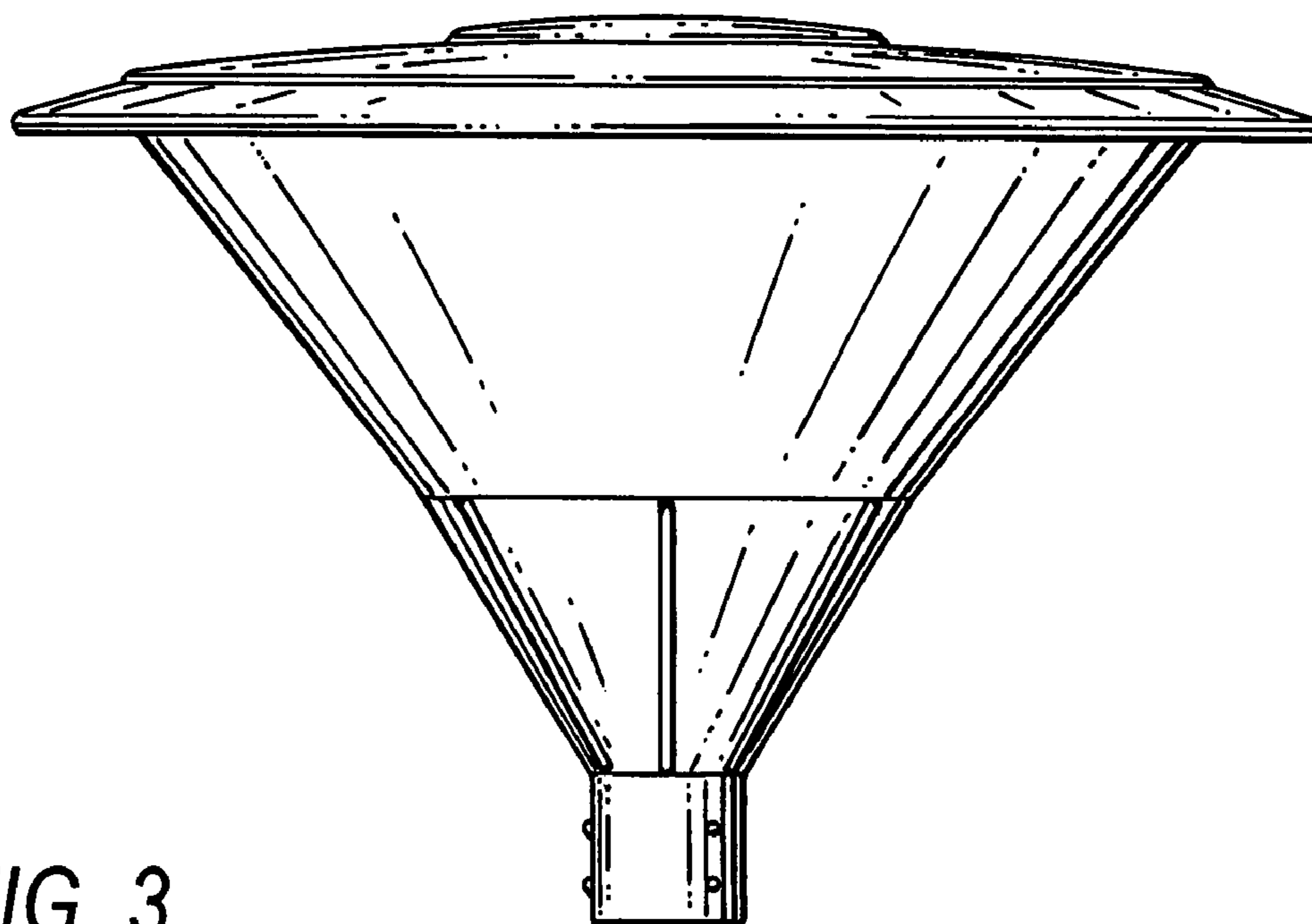


FIG. 3

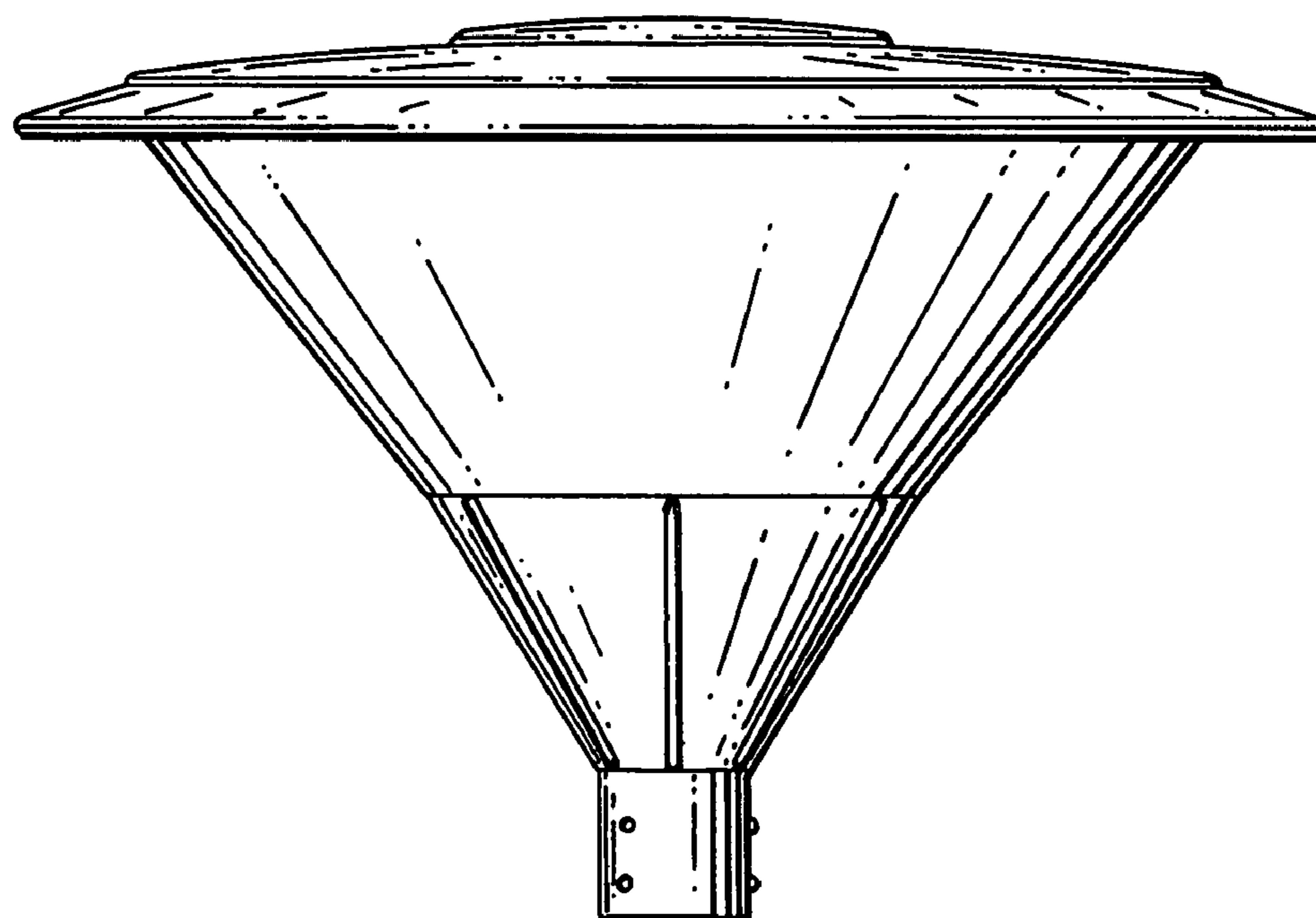


FIG. 4

FIG. 5

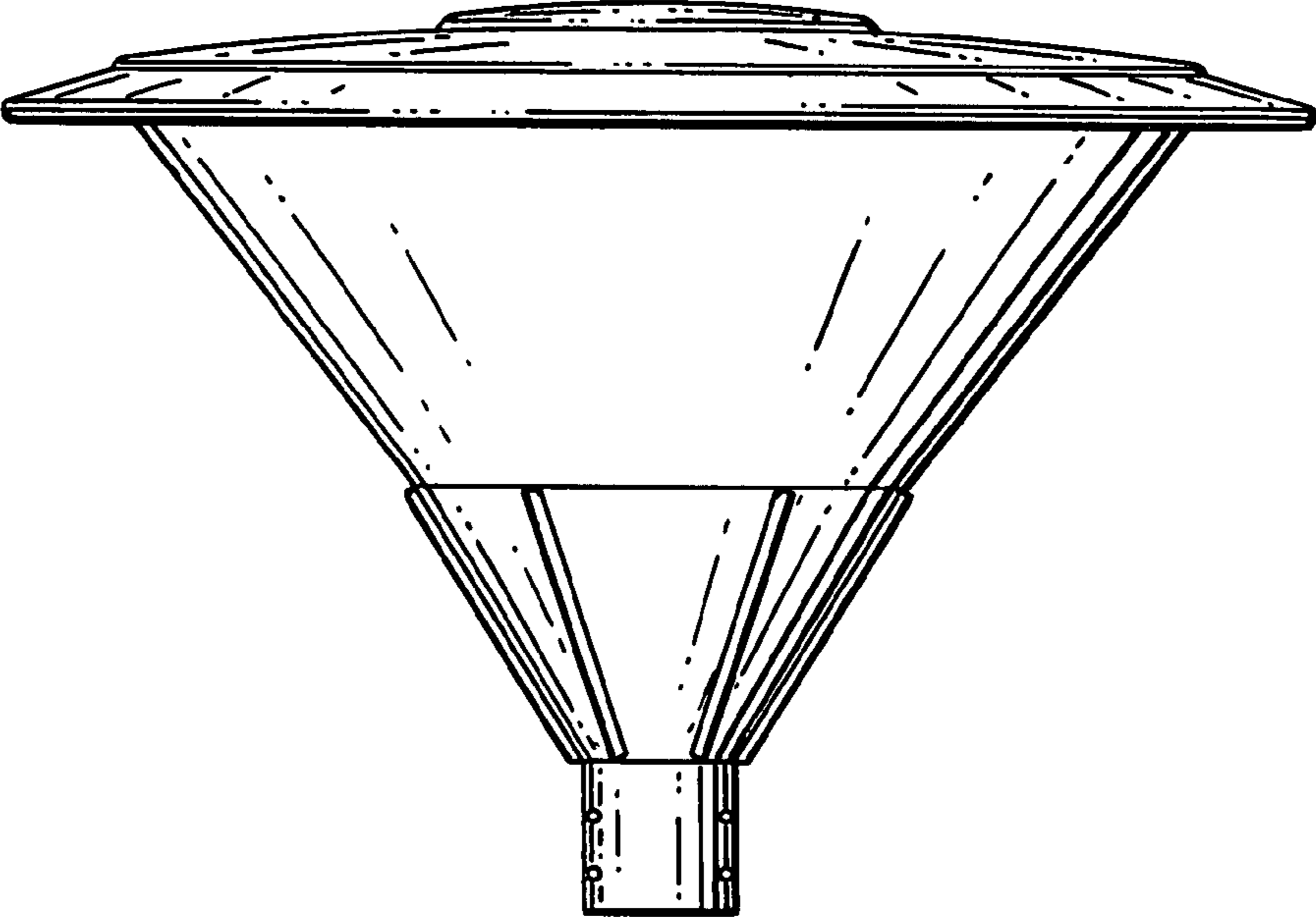
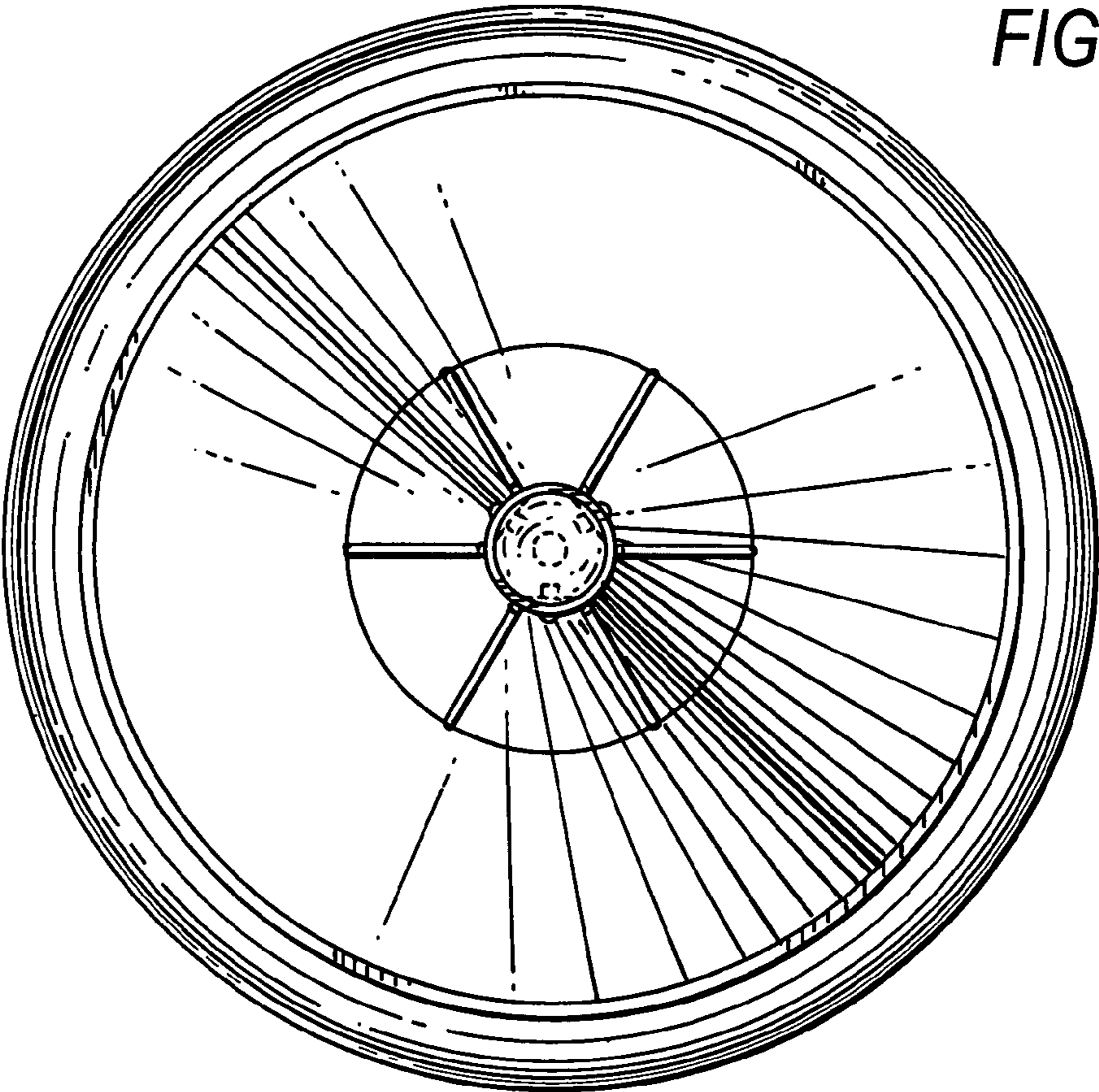


FIG. 6



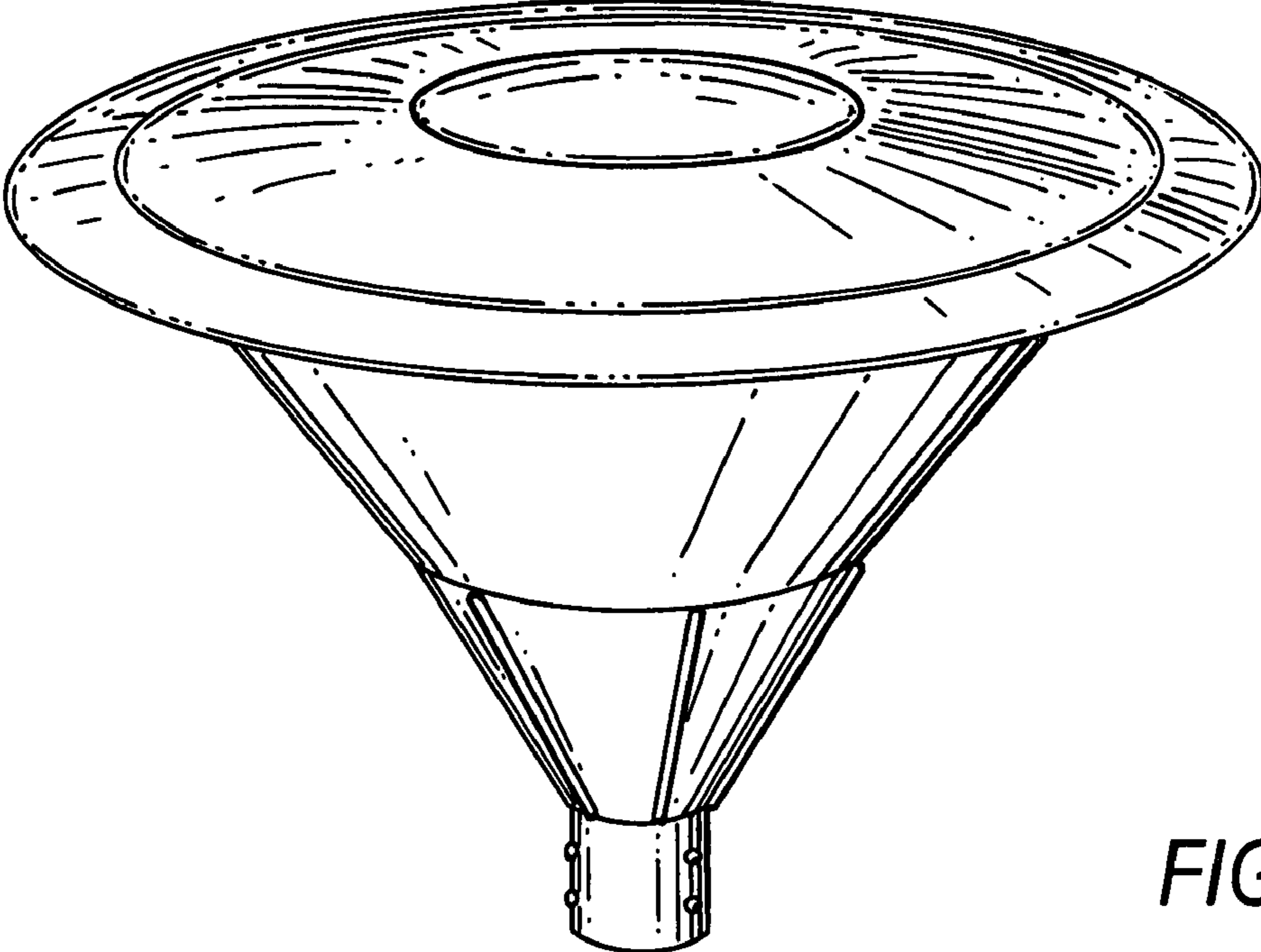


FIG. 7

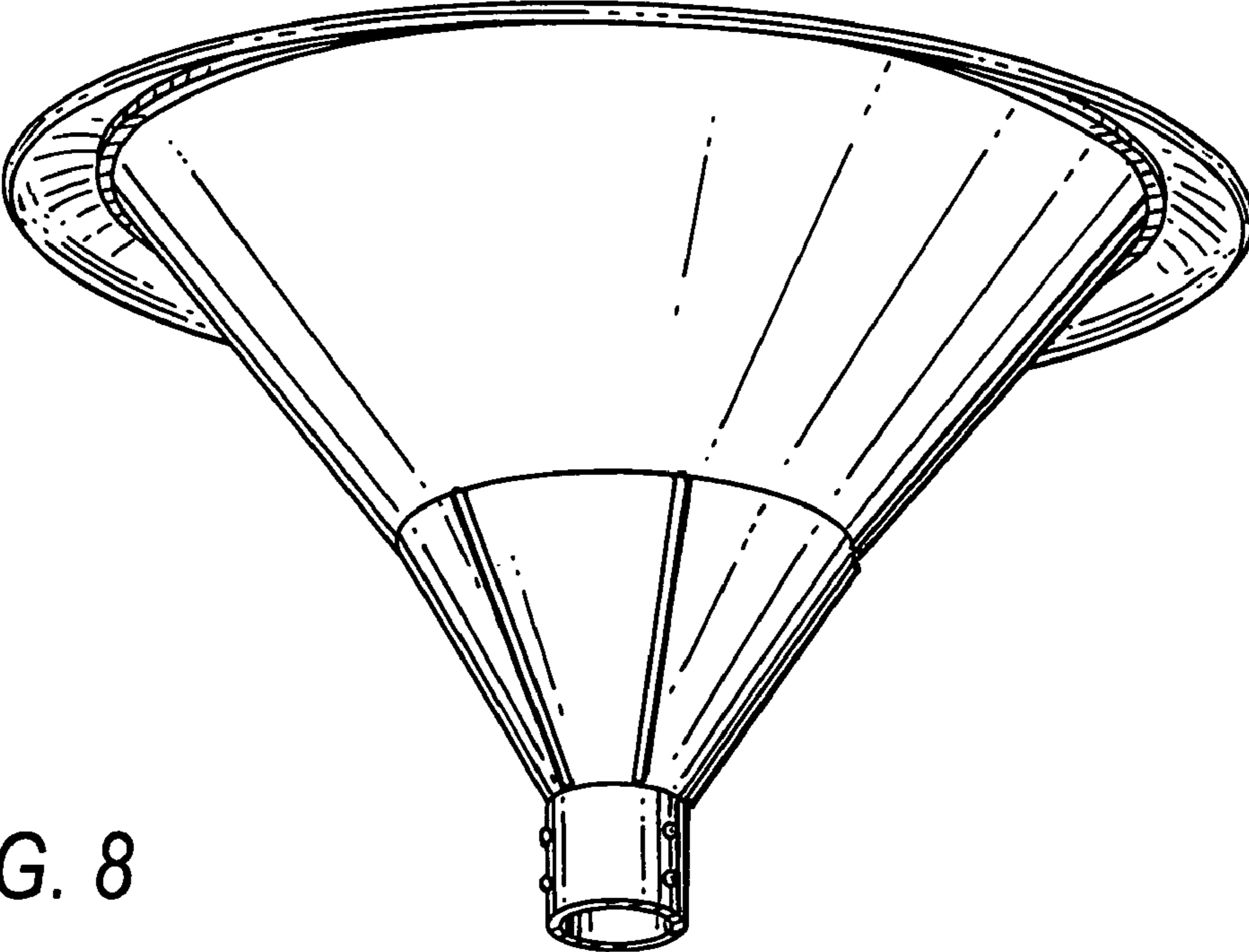


FIG. 8