



US00D574102S

(12) **United States Design Patent**
Quiogue et al.

(10) **Patent No.:** **US D574,102 S**
(45) **Date of Patent:** **** Jul. 29, 2008**

- (54) **DECORATIVE FLOODLIGHT LUMINAIRE**
- (75) Inventors: **Honesto D. Quiogue**, Florence, KY (US); **Ronald P. Leonard**, Simpsonville, SC (US)
- (73) Assignee: **Hubbell Incorporated**, Orange, CT (US)
- (**) Term: **14 Years**
- (21) Appl. No.: **29/287,973**
- (22) Filed: **Oct. 5, 2007**

- D291,605 S * 8/1987 Roos D26/88
- D292,235 S * 10/1987 Roos D26/65
- D296,829 S 7/1988 Peppers
- 4,760,511 A * 7/1988 Russello et al. 362/427
- D297,670 S 9/1988 Douenias
- D297,769 S 9/1988 Mann
- D304,861 S 11/1989 Schmidt
- D319,891 S 9/1991 Giese
- D321,410 S * 11/1991 Layne D26/138
- D345,226 S 3/1994 Tsao
- D353,474 S 12/1994 Shyan
- D355,502 S 2/1995 Liao

(Continued)

Related U.S. Application Data

- (62) Division of application No. 29/253,004, filed on Feb. 1, 2006, now Pat. No. Des. 566,318.

- (51) **LOC (8) Cl.** **26-05**
- (52) **U.S. Cl.** **D26/63**
- (58) **Field of Classification Search** D26/24, D26/60-67, 85; 362/285, 287, 418, 419, 362/427, 147, 269, 271, 275, 291, 310, 311, 362/362, 296, 159, 187, 266; D13/110, 133, D13/134

See application file for complete search history.

References Cited

U.S. PATENT DOCUMENTS

- D175,528 S 9/1955 Atkin
- D179,877 S 3/1957 Atkin
- D190,922 S 7/1961 Anthony
- D203,865 S 2/1966 Cooper
- 3,254,205 A 5/1966 Cobb
- D214,584 S * 7/1969 Routh D26/63
- D241,671 S 9/1976 D'Ercoli et al.
- 4,143,413 A * 3/1979 Kelly 362/418
- D267,516 S 1/1983 Rambusch et al.
- D269,913 S 7/1983 Johnson et al.
- D287,413 S * 12/1986 Kusmer et al. D26/65

Primary Examiner—Cathron Brooks
Assistant Examiner—Barbara Fox
 (74) *Attorney, Agent, or Firm*—Jenae C. Avallone; Mark S. Bicks; Alfred N. Goodman

(57) **CLAIM**

The ornamental design for a decorative floodlight luminaire, as shown and described.

DESCRIPTION

FIG. 1 is a front elevational view of the decorative floodlight luminaire illustrated in accordance with an embodiment of the present design,

FIG. 2 is a rear elevational view of the decorative floodlight luminaire illustrated in FIG. 1,

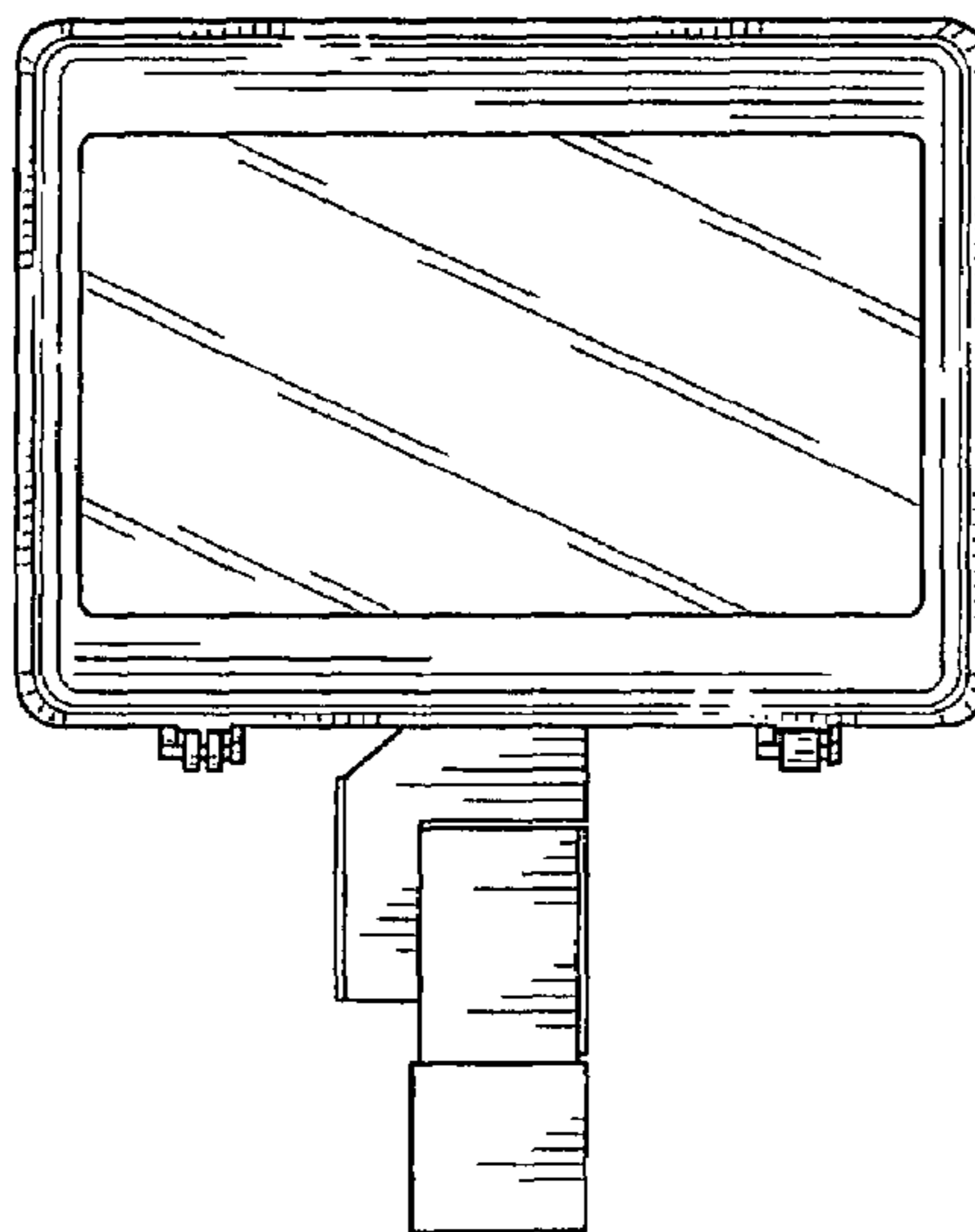
FIG. 3 is a top plan view of the decorative floodlight luminaire illustrated in FIGS. 1-2,

FIG. 4 is a bottom plan view of the decorative floodlight luminaire illustrated in FIGS. 1-3,

FIG. 5 is a left side elevational view of the decorative floodlight luminaire illustrated in FIGS. 1-4; and,

FIG. 6 is a right side elevational view of the decorative floodlight luminaire illustrated in FIGS. 1-5.

1 Claim, 2 Drawing Sheets



US D574,102 S

Page 2

U.S. PATENT DOCUMENTS

D357,992 S *	5/1995	Mehaffey	D26/63	D524,461 S	7/2006	Molenaar et al.	
D360,959 S *	8/1995	Donato et al.	D26/63	D544,125 S *	6/2007	Guercio	D26/63
D360,962 S	8/1995	Cornell et al.		D545,472 S *	6/2007	Guercio	D26/63
D404,165 S	1/1999	Vakil		D545,987 S	7/2007	Guercio	
D407,836 S	4/1999	Leen		D547,478 S *	7/2007	Guercio	D26/63
D432,700 S	10/2000	Avila et al.		D550,392 S *	9/2007	Guercio	D26/92
D434,515 S	11/2000	McNamara		D552,283 S *	10/2007	Guercio	D26/63
6,196,705 B1	3/2001	Finke et al.		D552,284 S *	10/2007	Kosche et al.	D26/63
D475,154 S	5/2003	Binsukor		D552,781 S *	10/2007	Kosche et al.	D26/63
D482,153 S	11/2003	McNamara					

* cited by examiner

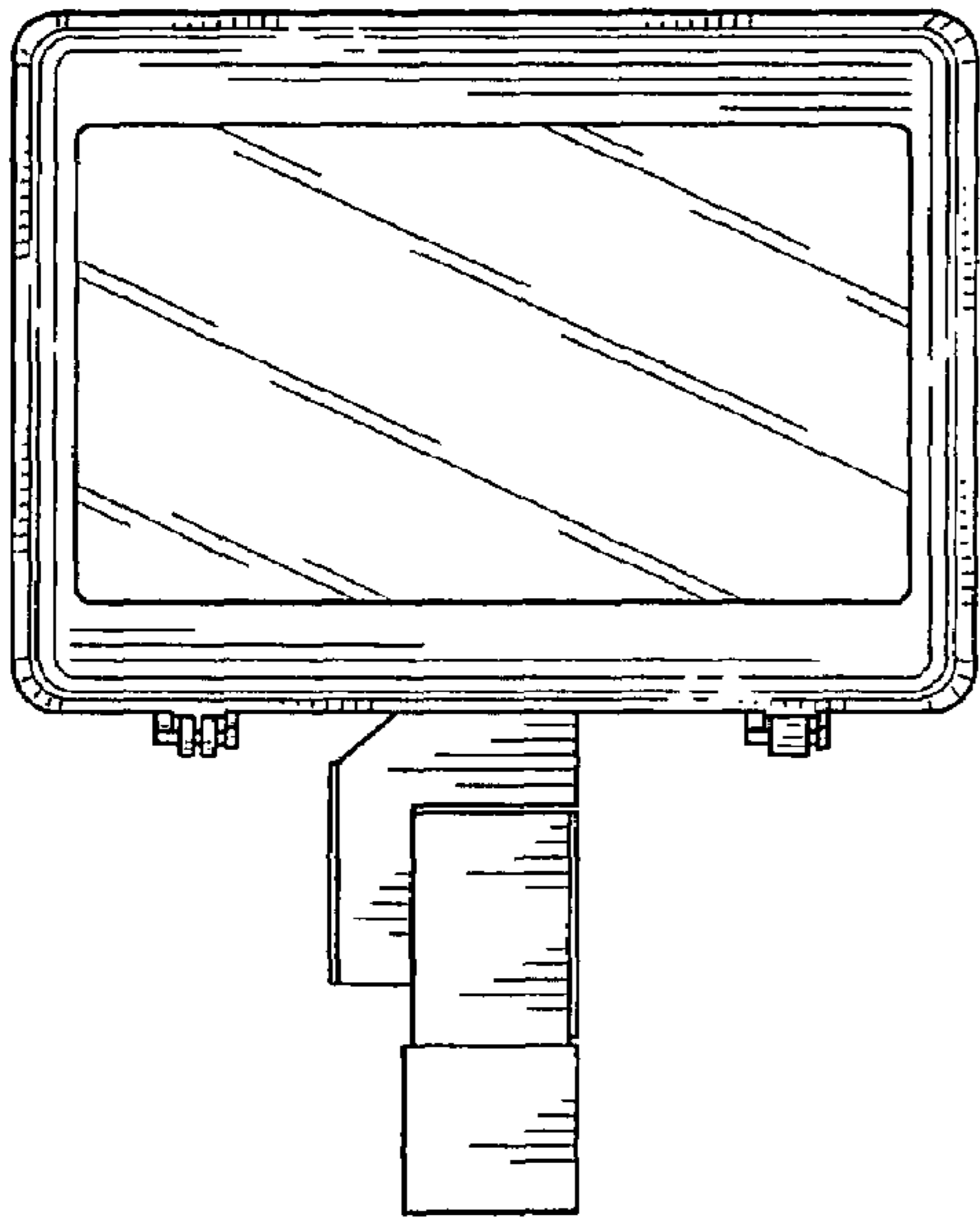


FIG. 1

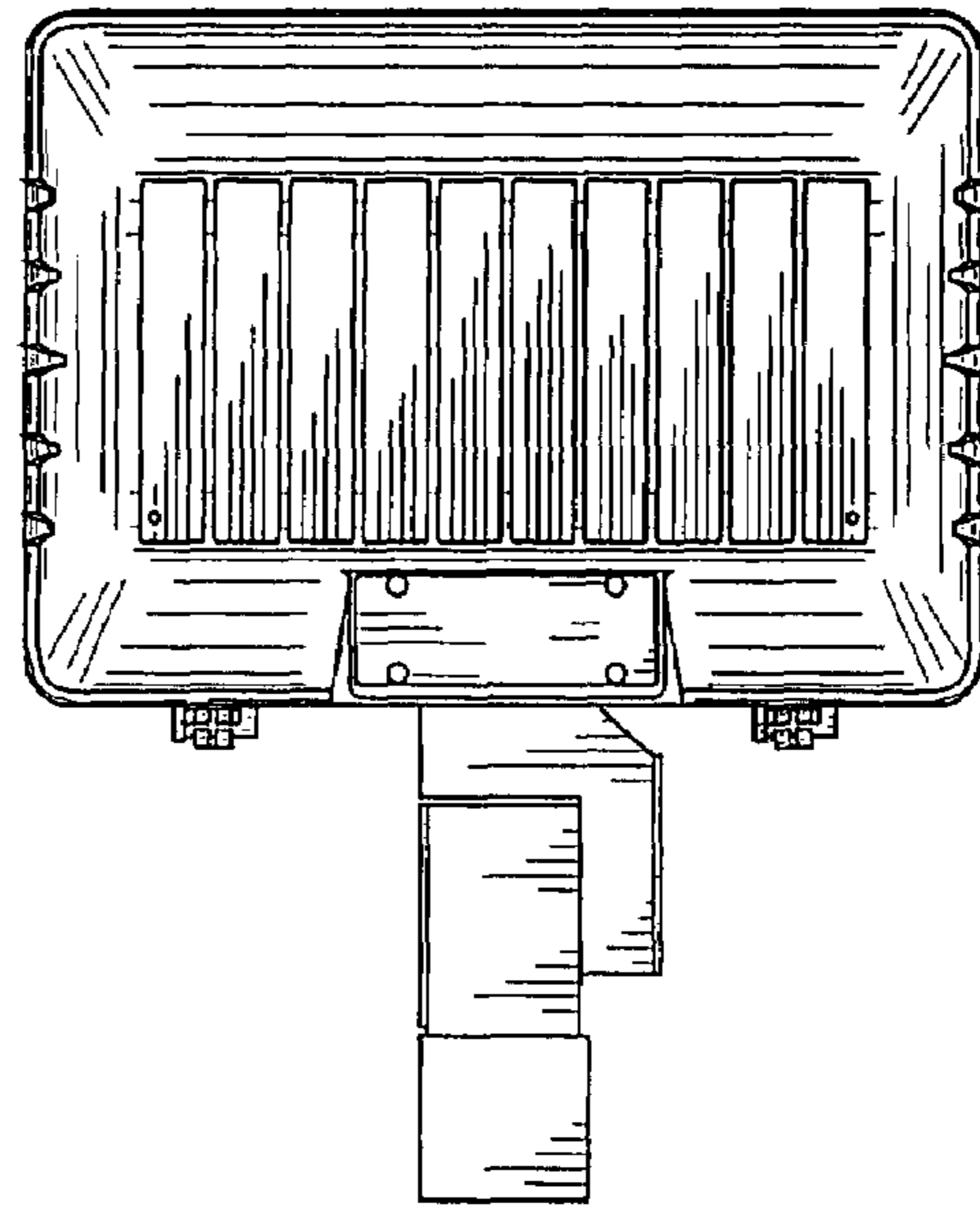


FIG. 2

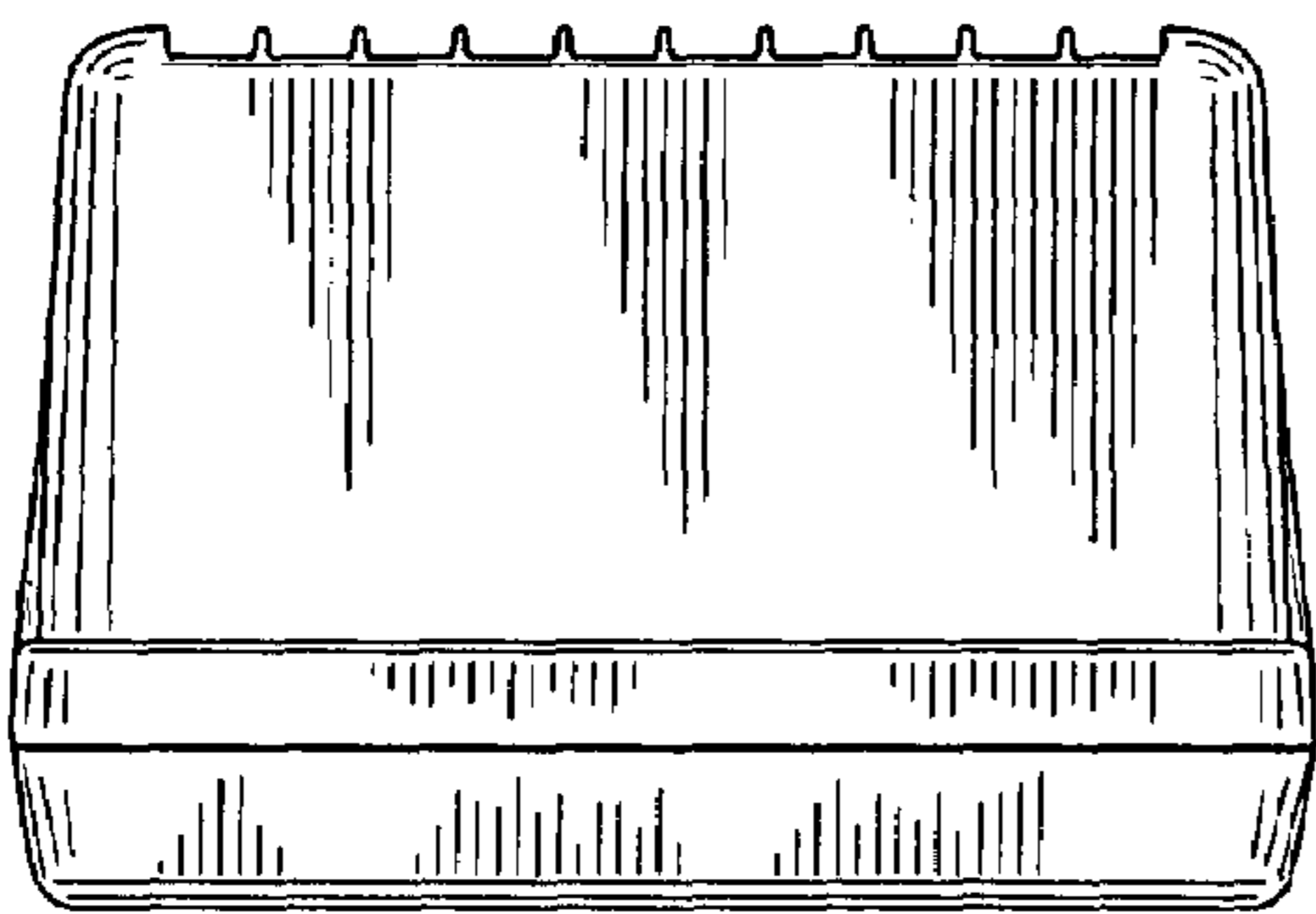


FIG. 3

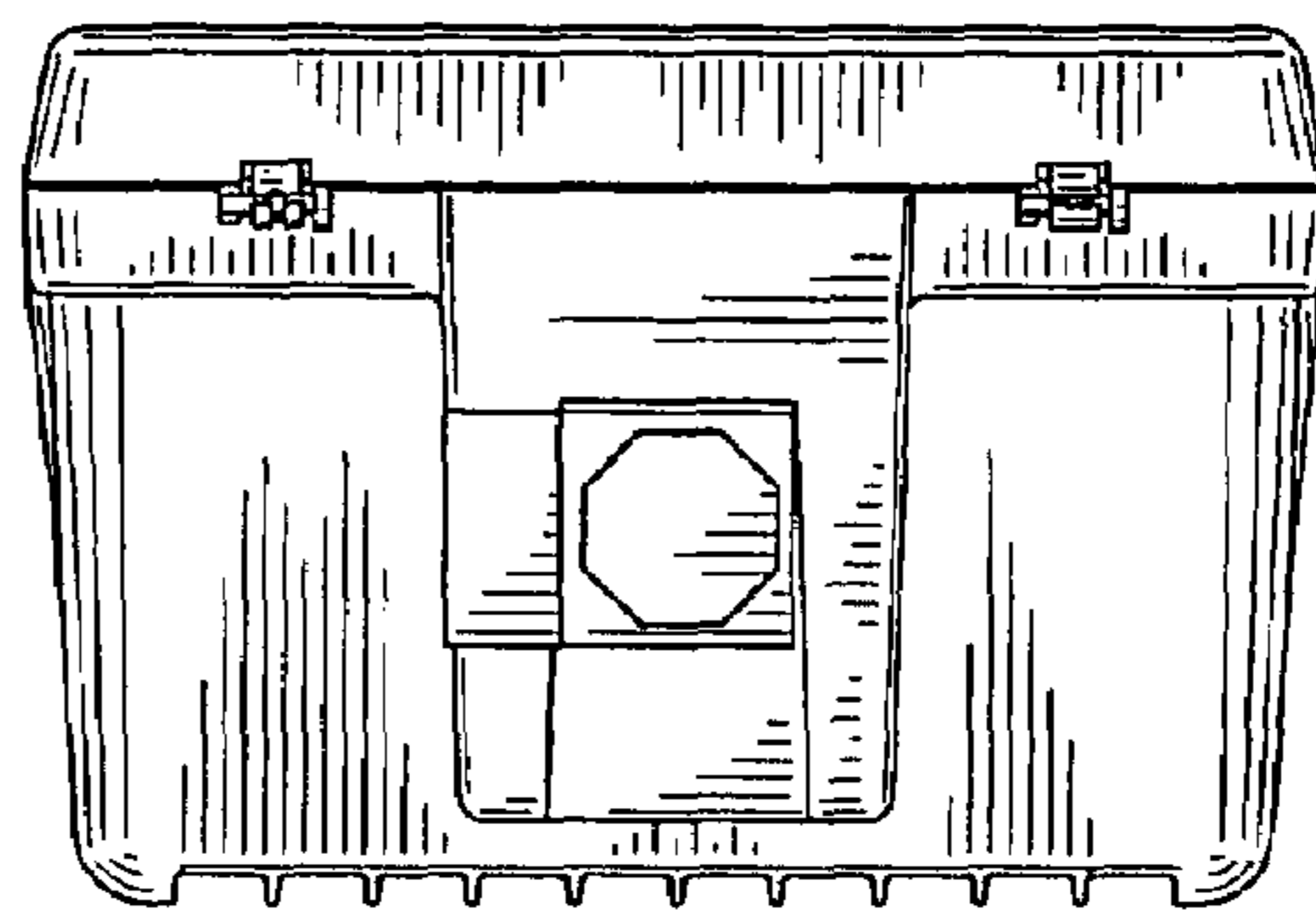


FIG. 4

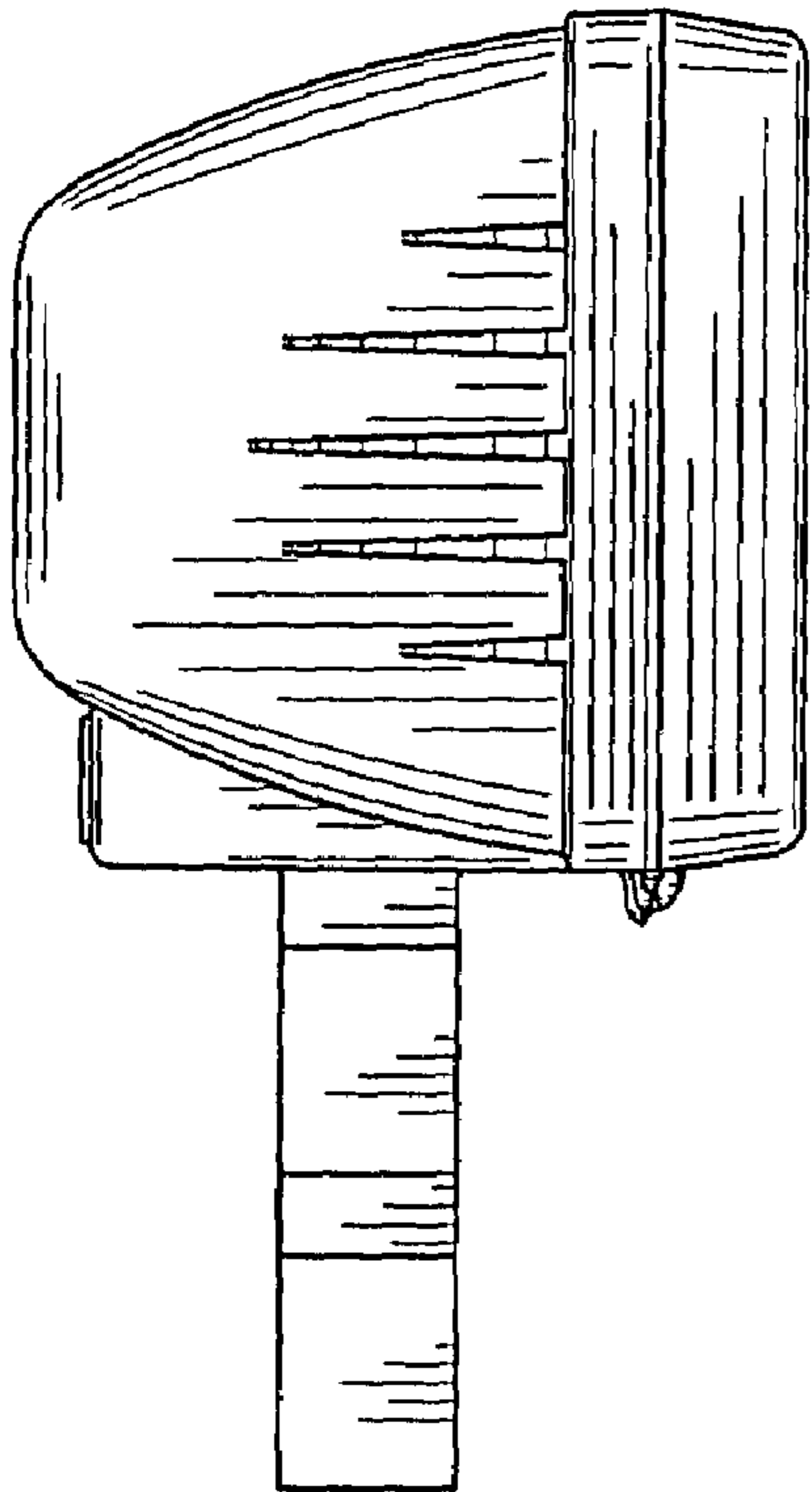


FIG. 5

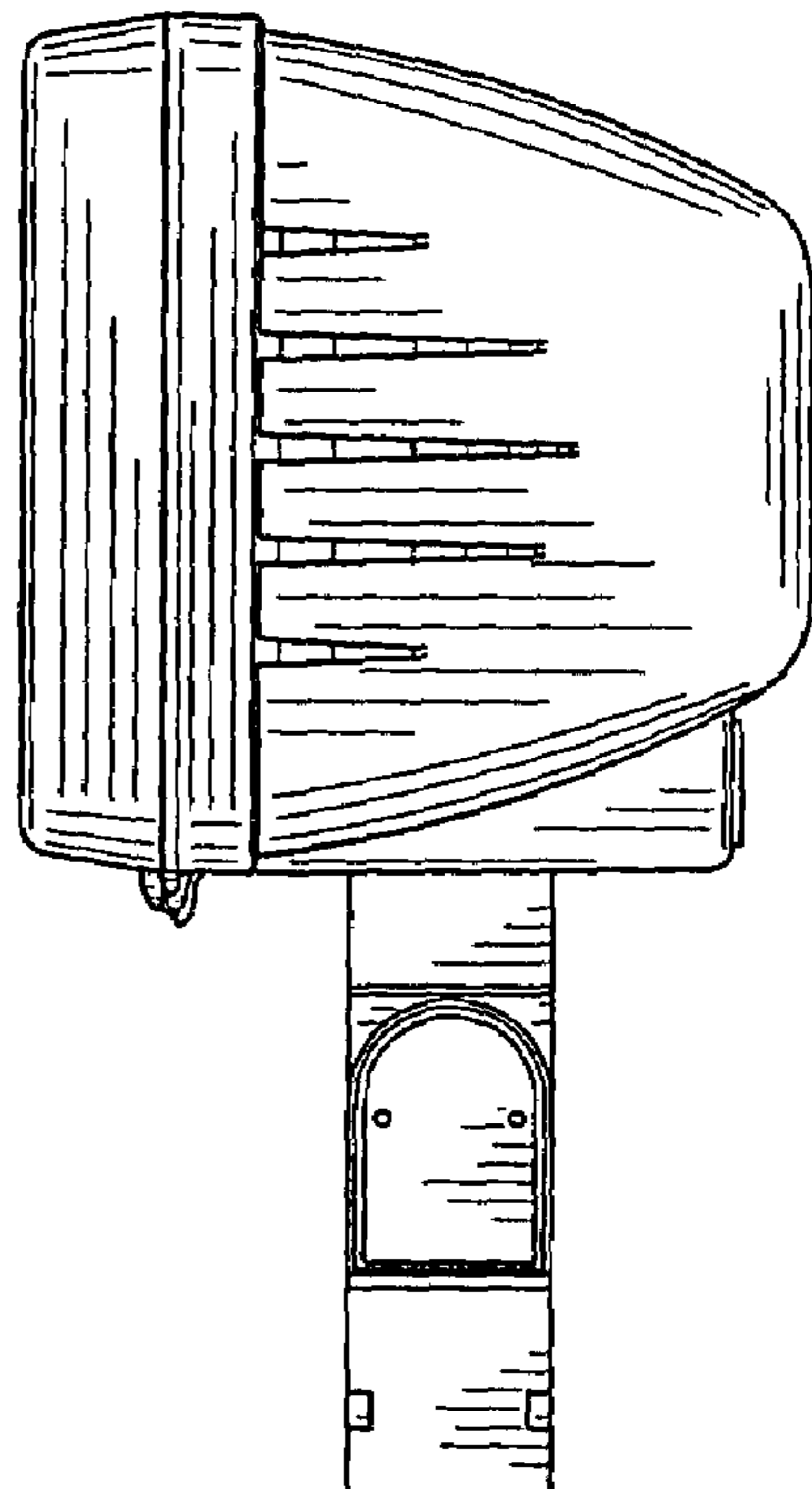


FIG. 6