



US00D574100S

(12) **United States Design Patent**
Leen

(10) **Patent No.:** **US D574,100 S**
(45) **Date of Patent:** **** Jul. 29, 2008**

(54) **ROUND BARBEQUE CLAMP LIGHT**

2007/0115672 A1* 5/2007 Nelson et al. 362/396

(76) Inventor: **Monte A. Leen**, 11730 NE. 12th St.,
Bellevue, WA (US) 98005

* cited by examiner

(**) Term: **14 Years**

Primary Examiner—Cathron Brooks
Assistant Examiner—Barbara Fox
(74) *Attorney, Agent, or Firm*—Dean A. Craine

(21) Appl. No.: **29/289,272**

(22) Filed: **Jul. 12, 2007**

(57) **CLAIM**

The ornamental design for a round barbecue clamp light, as shown and described.

(51) **LOC (8) Cl.** **26-05**

(52) **U.S. Cl.** **D26/60**

(58) **Field of Classification Search** D26/28,
D26/37, 39, 44, 57, 73, 60–65; 362/98, 99,
362/197, 157, 171–174, 473–476, 523, 545,
362/183–208, 102, 119, 120, 397

DESCRIPTION

See application file for complete search history.

FIG. 1 is a perspective view of a round barbecue clamp light showing my new design.

FIG. 2 is a top plan view of the invention.

FIG. 3 is a front elevational view of the invention.

FIG. 4 is a bottom plan of the invention.

FIG. 5 is a rear elevational view of the invention.

FIG. 6 is a right side elevational view of the invention; and,

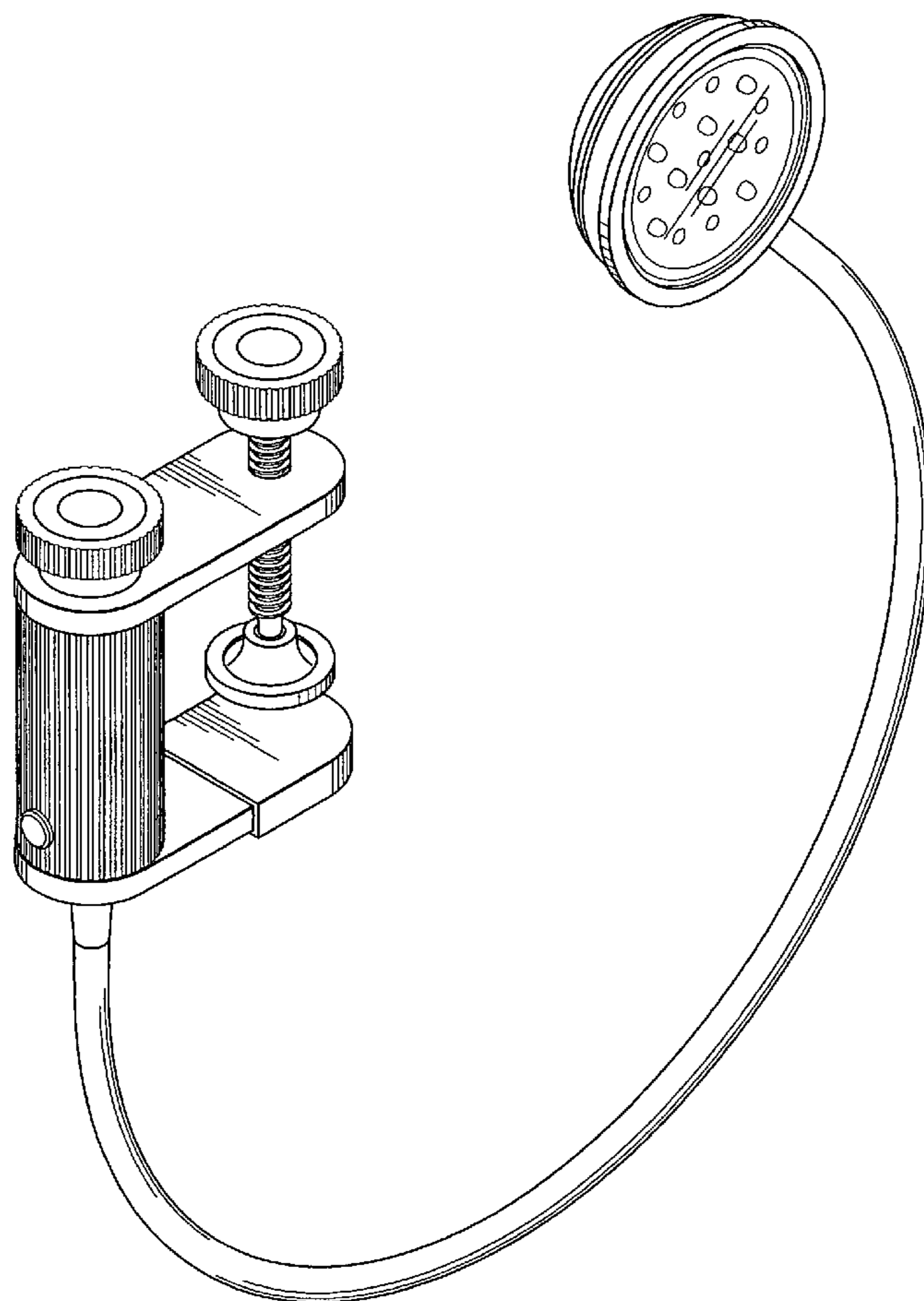
FIG. 7 is a left side elevational view of the invention.

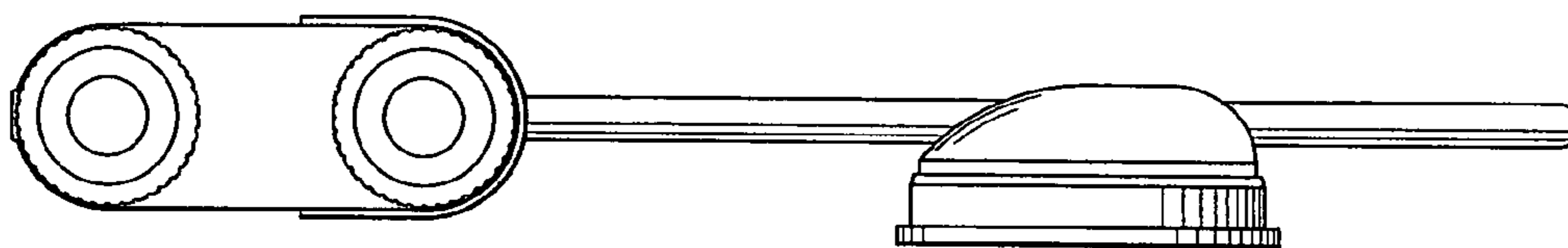
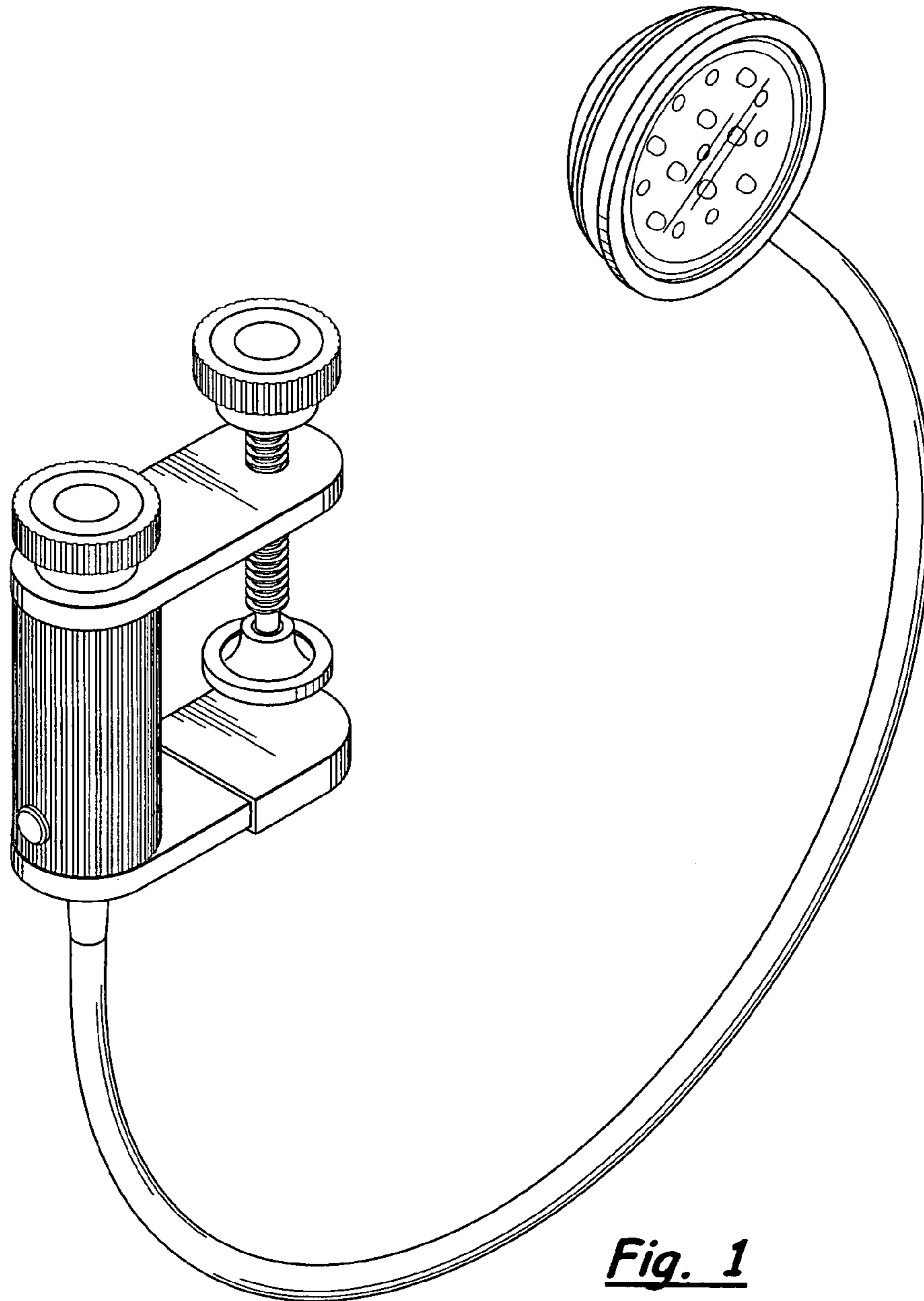
(56) **References Cited**

U.S. PATENT DOCUMENTS

D350,211 S *	8/1994	Clasby	D26/60
D506,018 S *	6/2005	Campo	D26/62
D514,726 S	2/2006	Ping	D26/60
D524,977 S *	7/2006	Smith et al.	D26/60
2002/0109986 A1 *	8/2002	Siegel	362/202

1 Claim, 3 Drawing Sheets





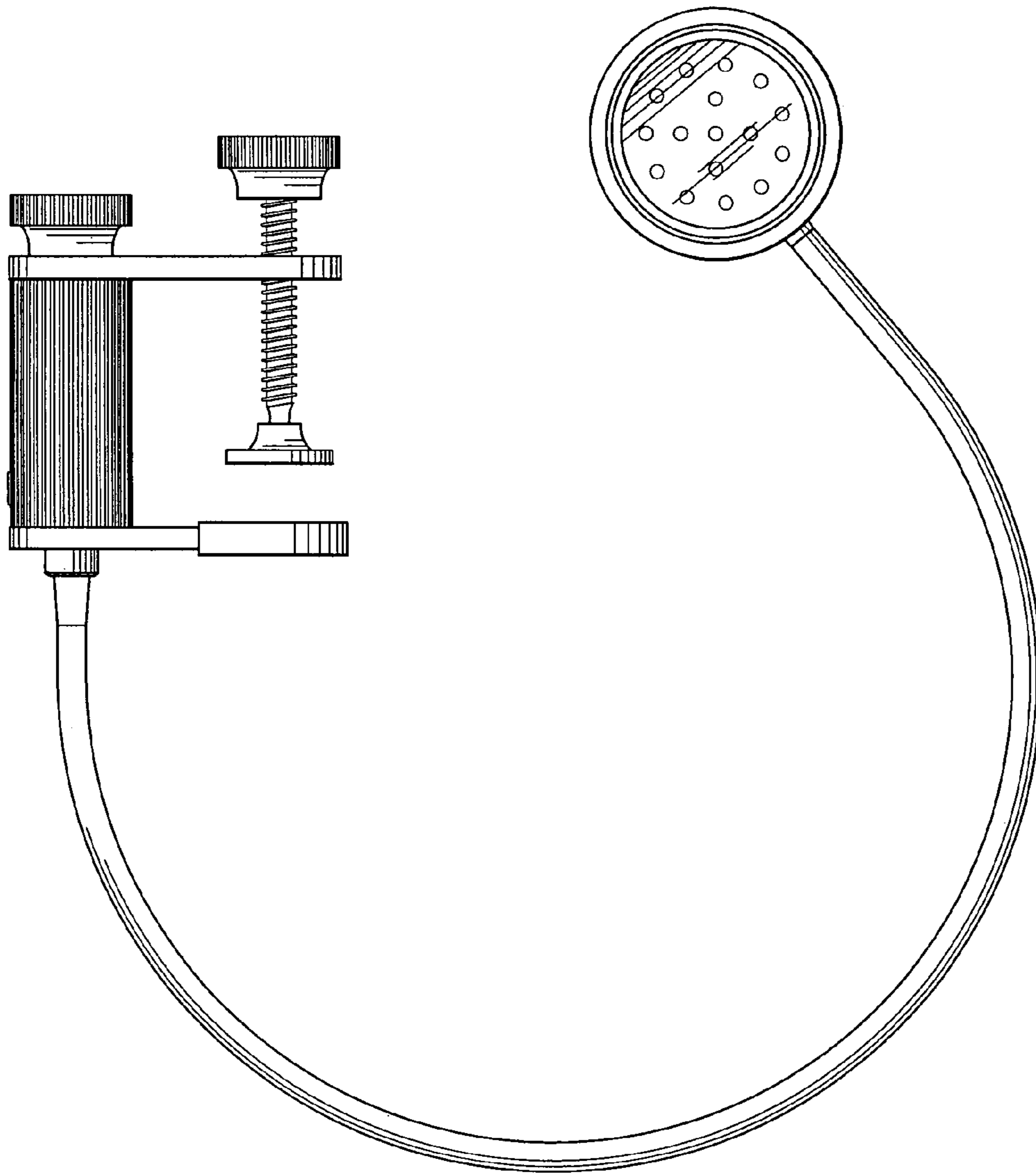


Fig. 3

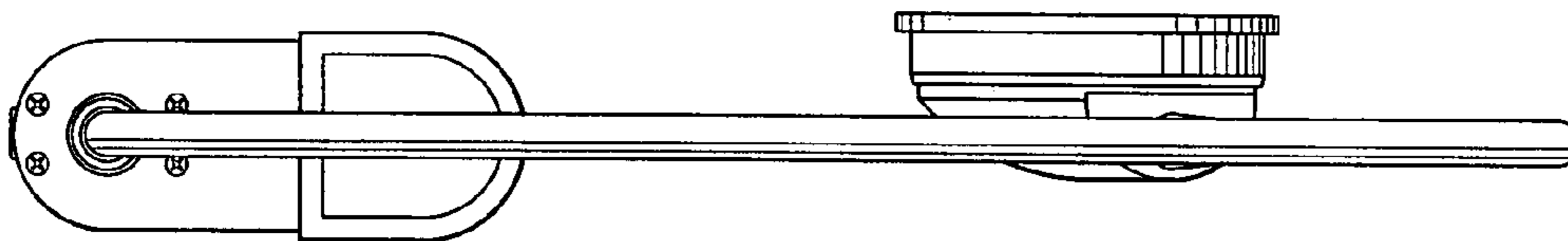


Fig. 4

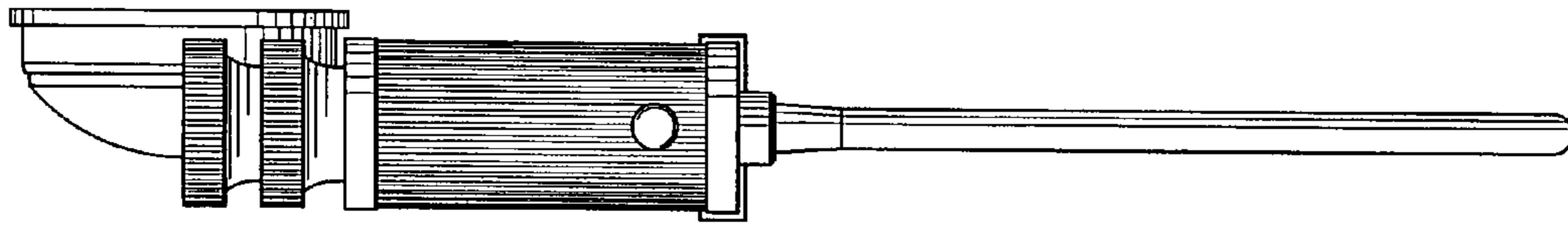


Fig. 7

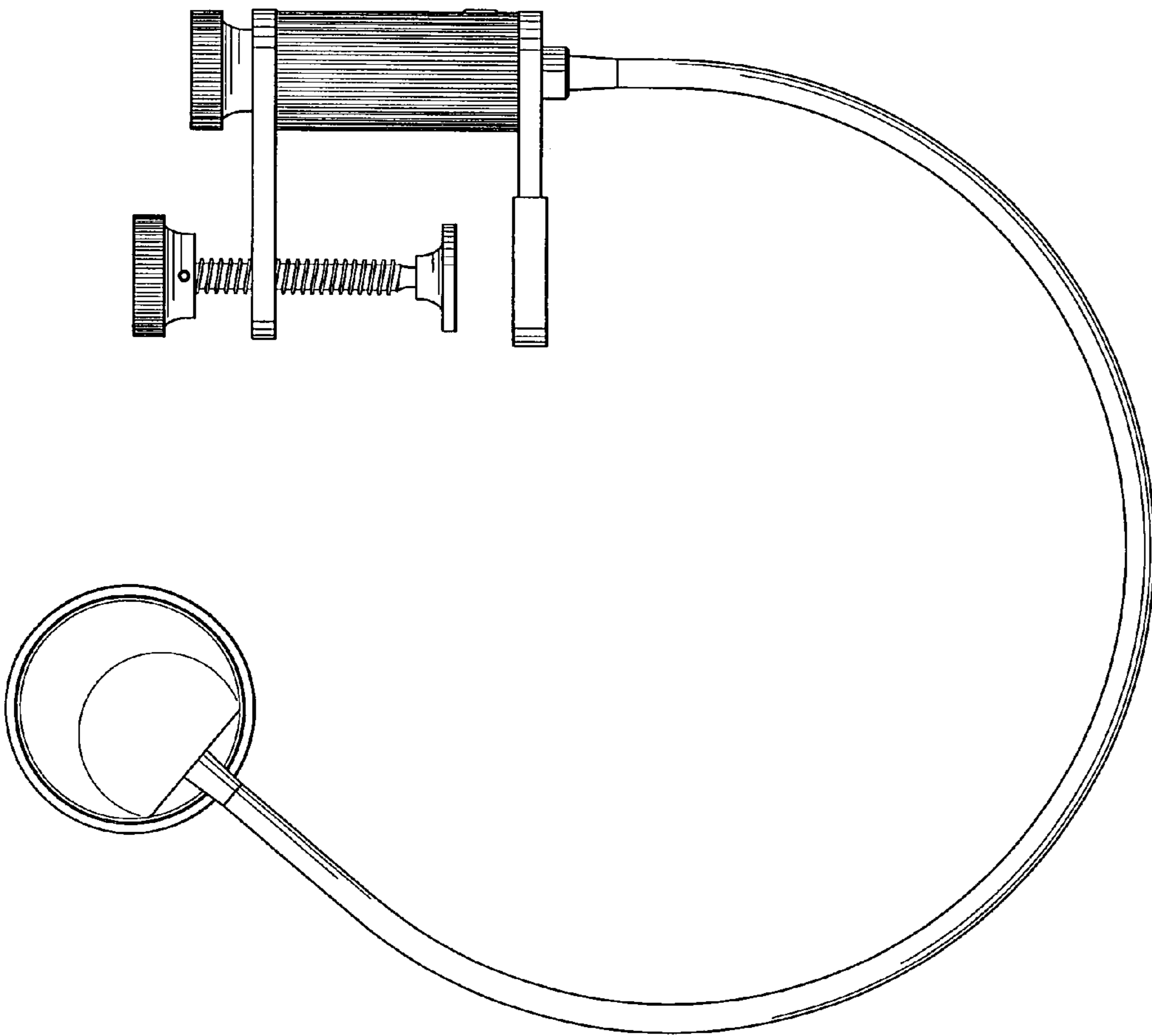


Fig. 5

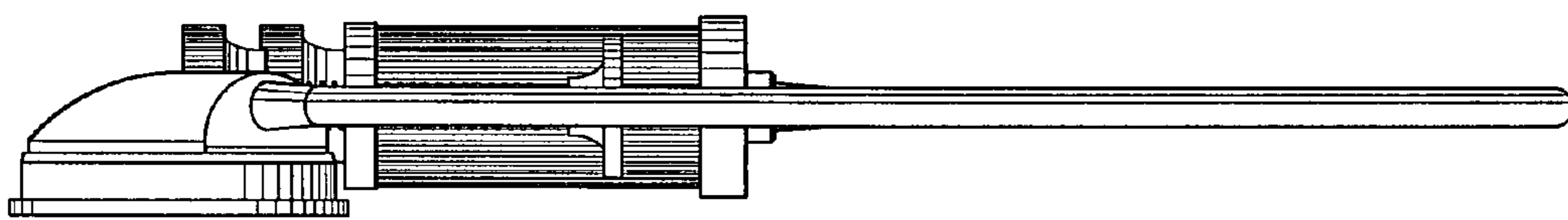


Fig. 6