



US00D574099S

(12) **United States Design Patent**
Leen

(10) **Patent No.:** **US D574,099 S**

(45) **Date of Patent:** **** Jul. 29, 2008**

(54) **OCTAGON BARBEQUE CLAMP LIGHT**

D561,921 S * 2/2008 Aleksjew D26/37

(76) Inventor: **Monte A. Leen**, 11730 NE. 12th St.,
Bellevue, WA (US) 98005

* cited by examiner

Primary Examiner—Cathron Brooks

Assistant Examiner—Barbara Fox

(74) *Attorney, Agent, or Firm*—Dean A. Craine

(**) Term: **14 Years**

(21) Appl. No.: **29/289,268**

(57) **CLAIM**

(22) Filed: **Jul. 12, 2007**

The ornamental design for an octagon barbecue clamp light,
as shown and described.

(51) **LOC (8) Cl.** **26-05**

(52) **U.S. Cl.** **D26/60**

(58) **Field of Classification Search** D26/28,
D26/37, 39, 44, 57, 73, 60–65; 362/98, 99,
362/197, 157, 171–174, 473–476, 523, 545,
362/183–208, 102, 119, 120, 397

DESCRIPTION

FIG. 1 is a perspective view of an octagon barbecue clamp light showing my new design.

FIG. 2 is a top plan view of the invention.

FIG. 3 is a front elevational view of the invention.

FIG. 4 is a bottom plan view of the invention.

FIG. 5 is a rear elevational view of the invention.

FIG. 6 is a right side view of the invention; and,

FIG. 7 is a left side view of the invention.

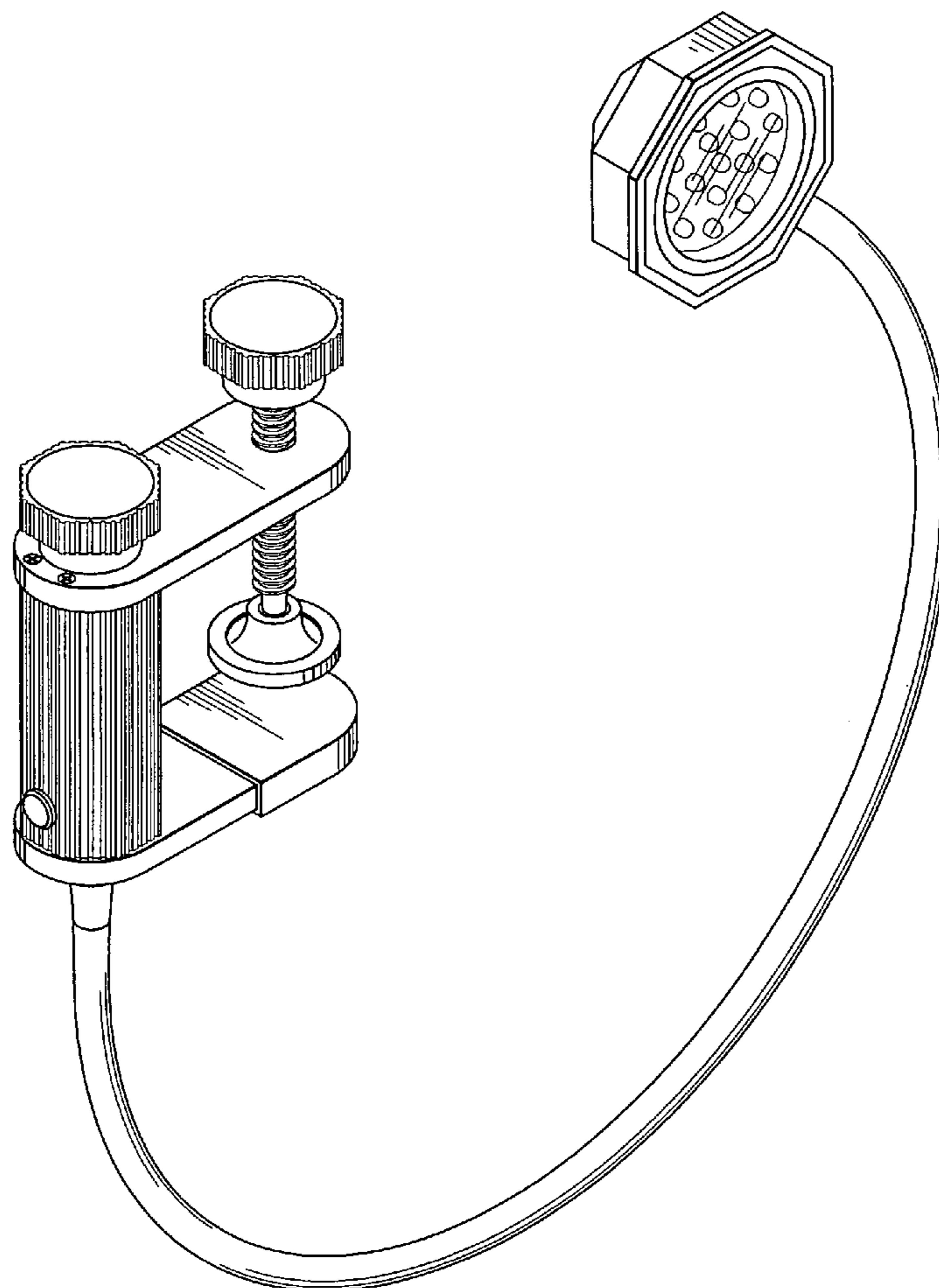
See application file for complete search history.

(56) **References Cited**

U.S. PATENT DOCUMENTS

- D252,832 S * 9/1979 Bowser D26/85
- D460,865 S * 7/2002 Keller D6/302
- D464,754 S * 10/2002 Cavins D26/60
- D514,726 S 2/2006 Ping D26/60

1 Claim, 3 Drawing Sheets



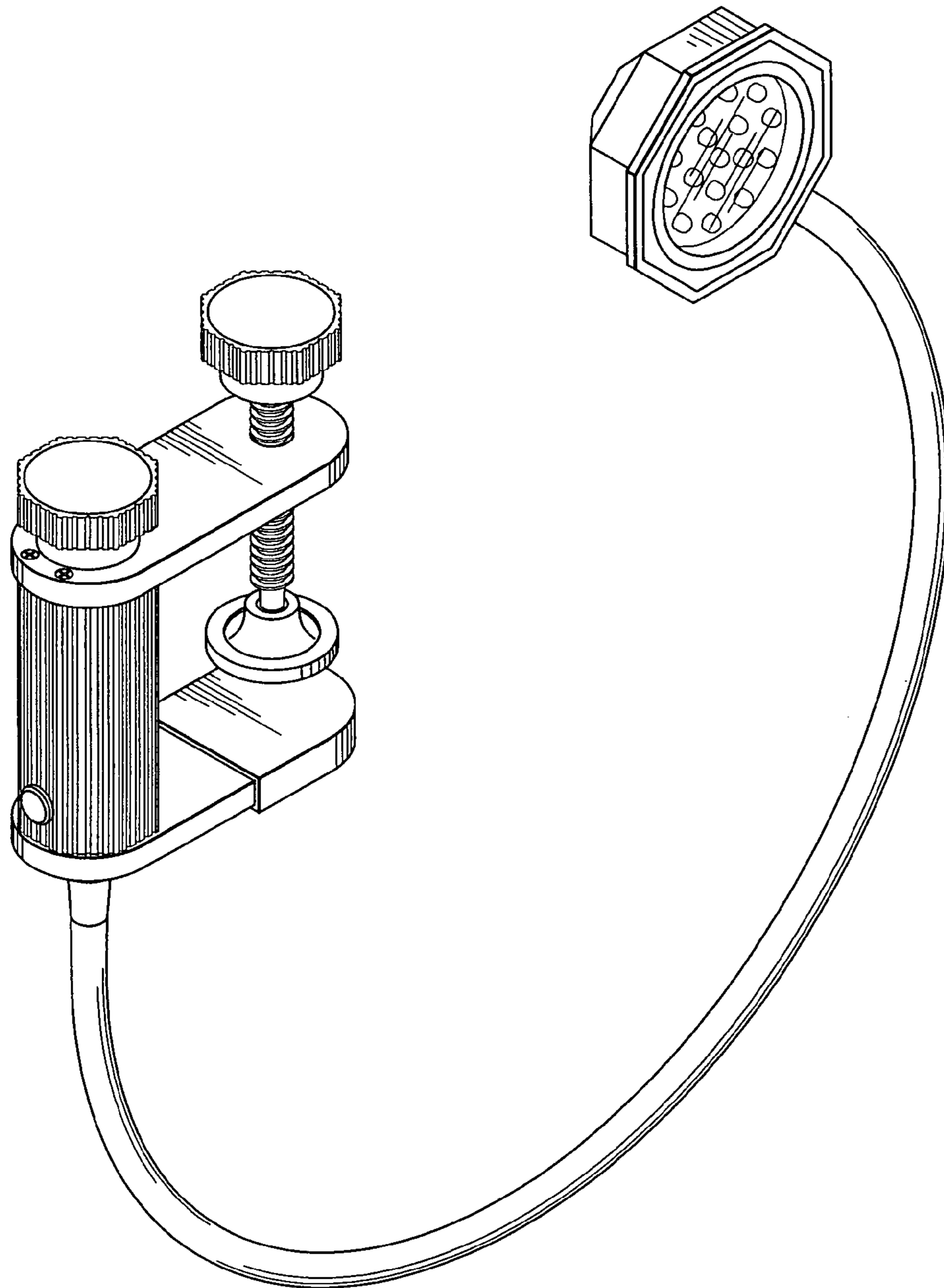


Fig. 1

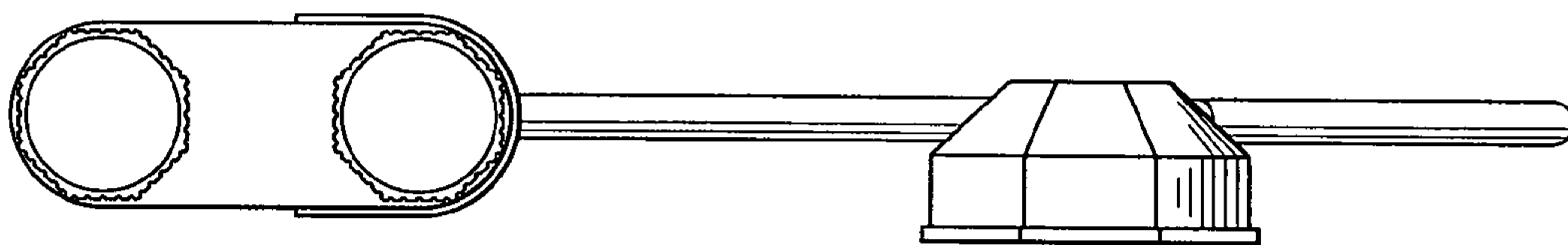


Fig. 2

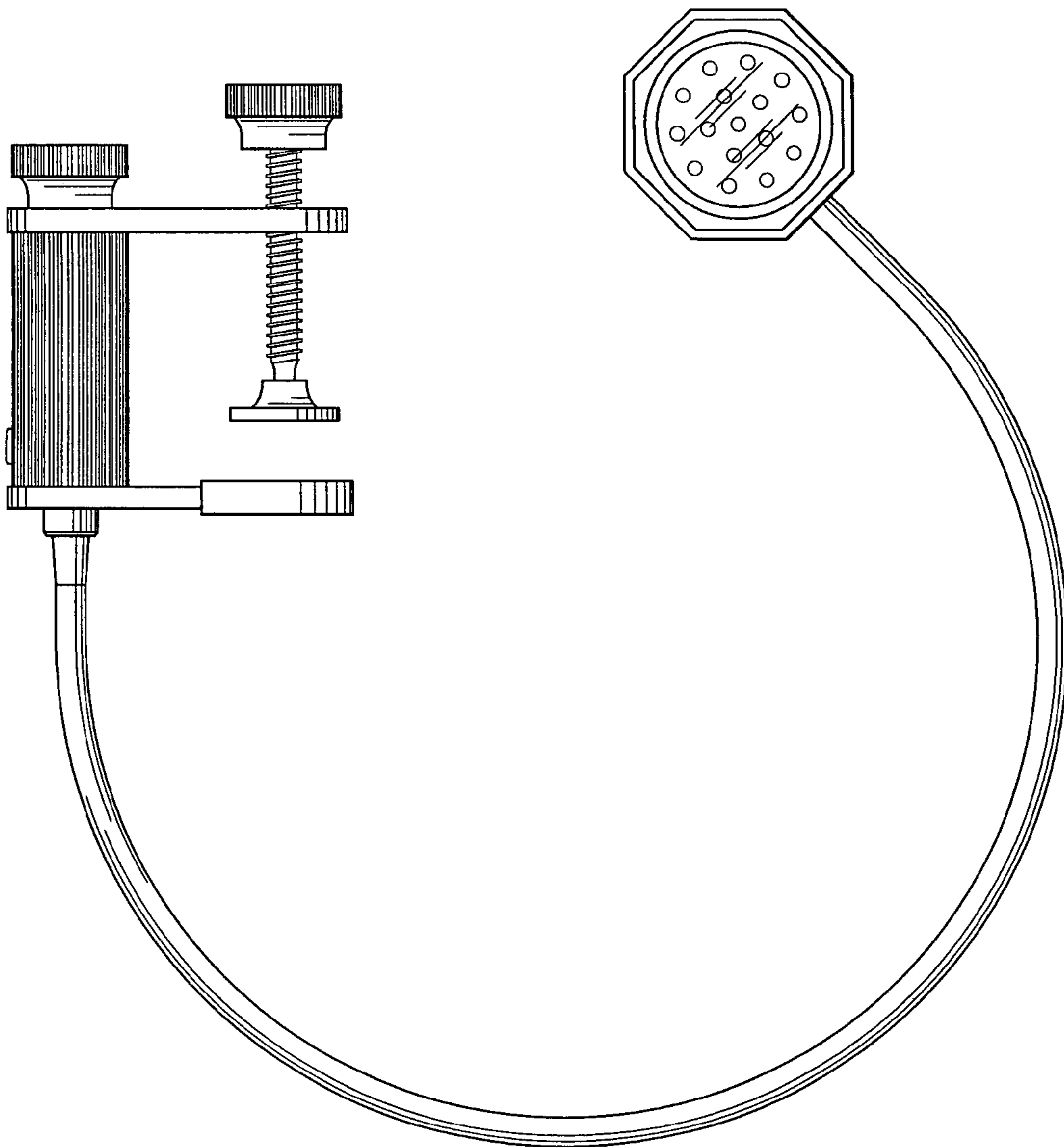


Fig. 3

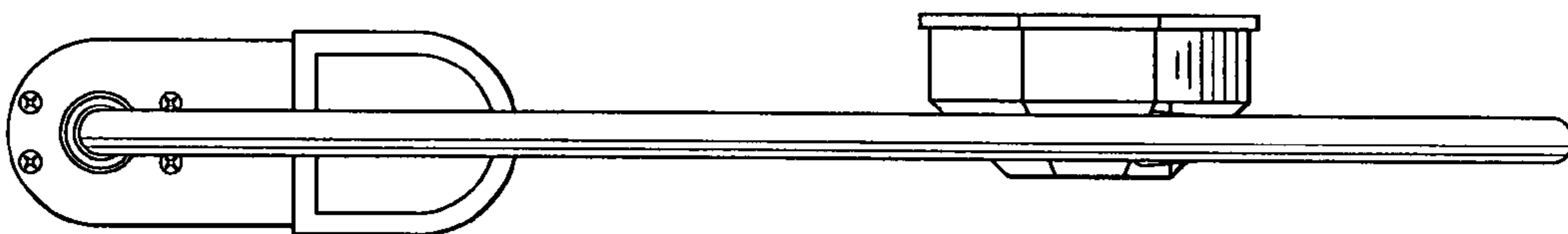


Fig. 4

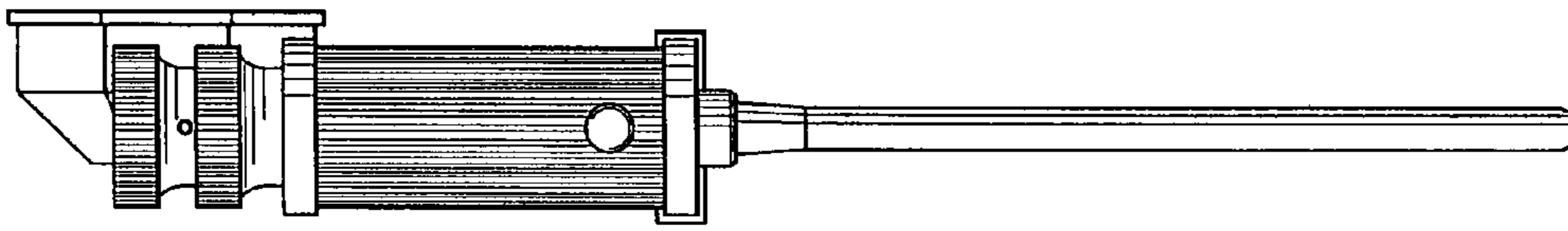


Fig. 7

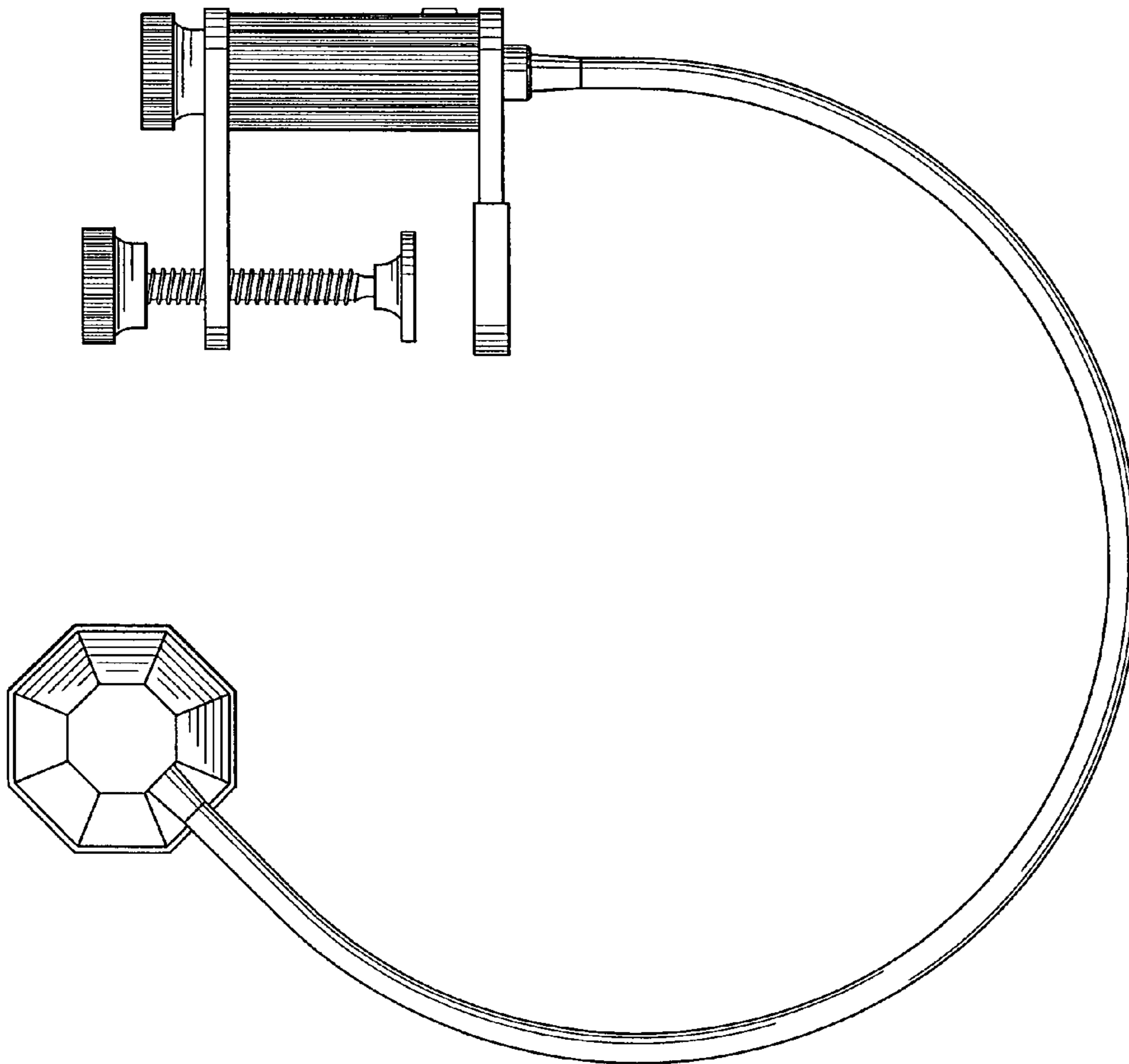


Fig. 5

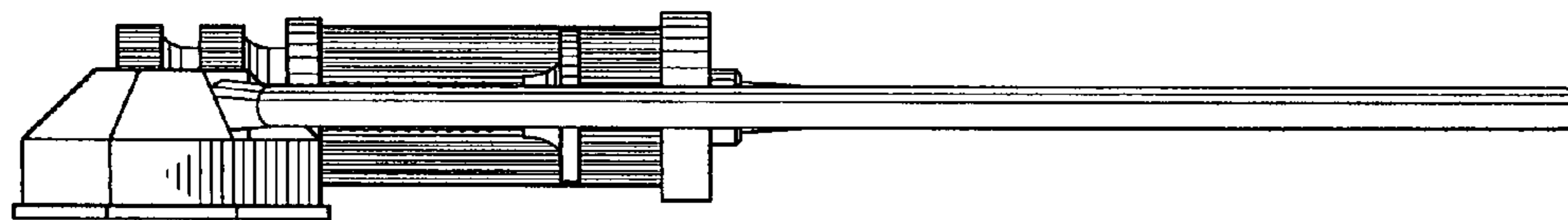


Fig. 6