



US00D574096S

(12) **United States Design Patent**
Klinkman et al.

(10) **Patent No.:** **US D574,096 S**
(45) **Date of Patent:** **** Jul. 29, 2008**

(54) **LOW PROFILE LIGHT**

D546,756 S * 7/2007 Marquez D12/414
D556,925 S * 12/2007 Lin D26/28

(75) Inventors: **John E. Klinkman**, Riley Township, MI (US); **Winston Fowler**, Northville, MI (US); **Robert H. Miller**, Canton, MI (US); **Timothy A. Danczuk**, Riley Township, MI (US); **Robert E. Burnham**, Novi, MI (US); **Ronald G. Saward**, Shelby Township, MI (US); **William R. Henderson**, New Baltimore, MI (US)

* cited by examiner

Primary Examiner—Marcus A. Jackson
(74) *Attorney, Agent, or Firm*—Radar, Fishman & Grauer PLLC

(73) Assignee: **SportRack LLC**, Sterling Heights, MI (US)

(57) **CLAIM**

The ornamental design for low profile light, as shown and described.

(**) Term: **14 Years**

DESCRIPTION

(21) Appl. No.: **29/241,526**

FIG. 1 is a view from above, front and right side;
FIG. 2 is a view from above, rear and left side;
FIG. 3 is a front view;
FIG. 4 is a rear view;
FIG. 5 is a side view;
FIG. 6 is a top view; and,
FIG. 7 is a bottom view.

(22) Filed: **Oct. 28, 2005**
(Under 37 CFR 1.47)

(51) **LOC (8) Cl.** **26-06**

(52) **U.S. Cl.** **D26/28**

(58) **Field of Classification Search** D26/28-36;
362/459-468, 475, 478, 485-487
See application file for complete search history.

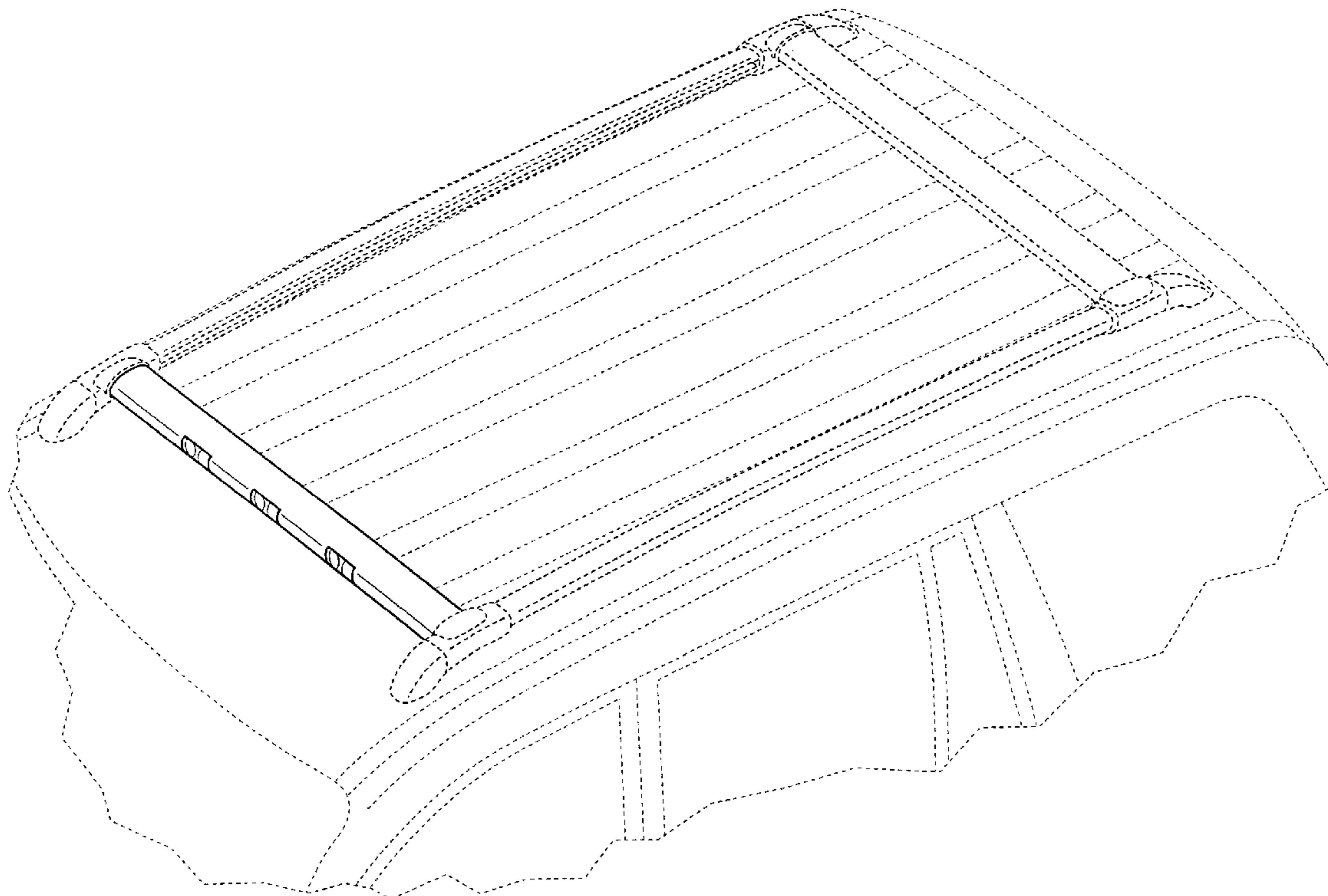
The broken line showing of the vehicle is included for the purpose of illustrating the vehicle and forms no part of the claimed design.

(56) **References Cited**

U.S. PATENT DOCUMENTS

D534,669 S * 1/2007 Saward et al. D26/31

1 Claim, 4 Drawing Sheets



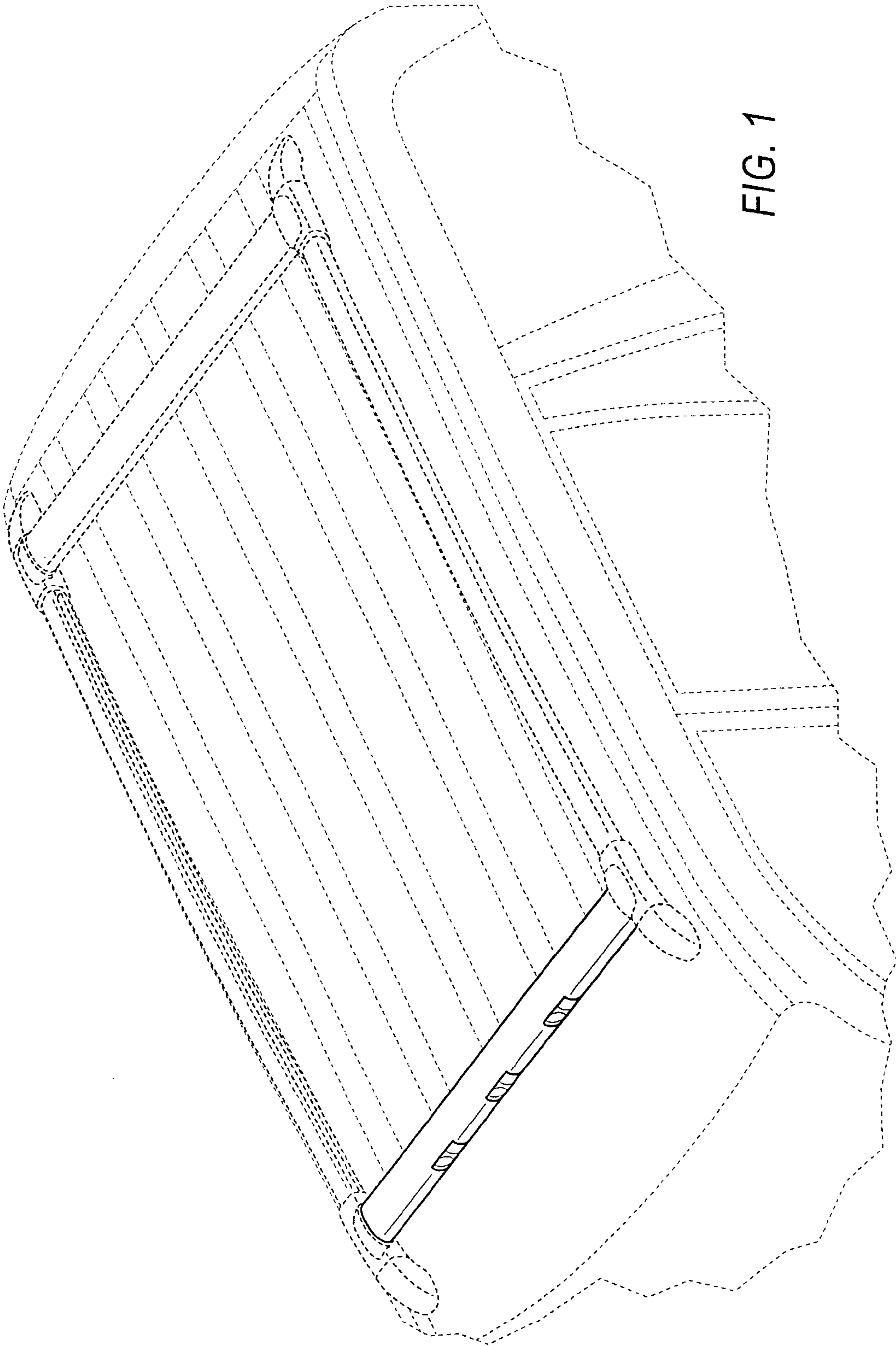


FIG. 1

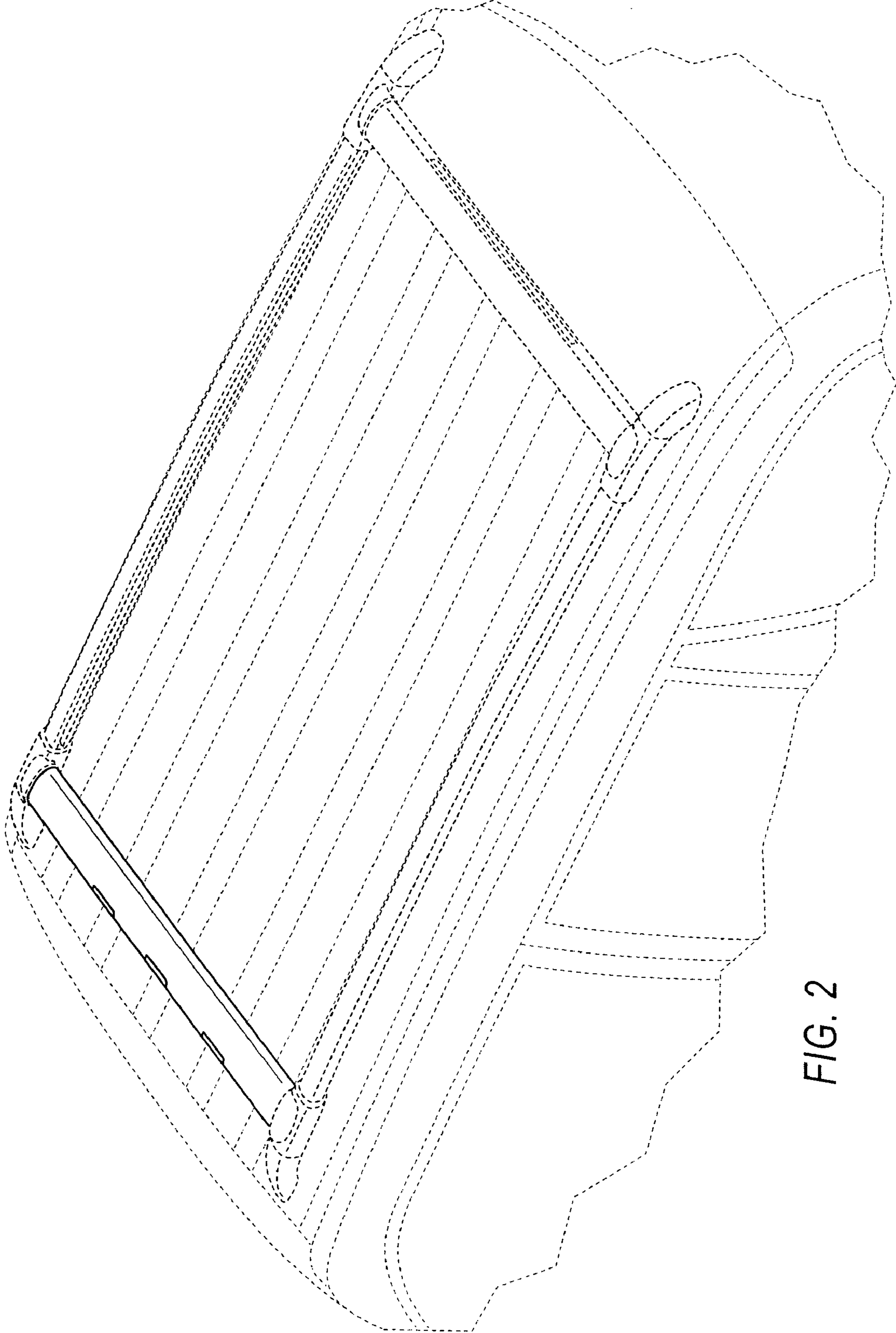


FIG. 2

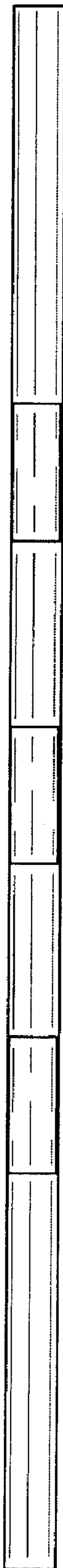


FIG. 3

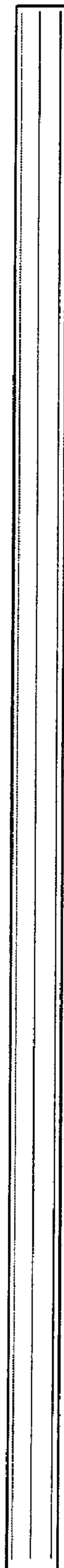


FIG. 4



FIG. 5

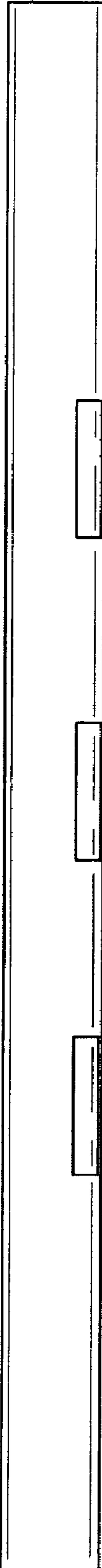


FIG. 6

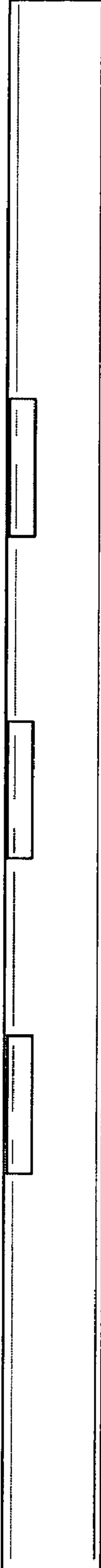


FIG. 7