



US00D574095S

(12) **United States Design Patent**
Hill et al.

(10) **Patent No.:** **US D574,095 S**
(45) **Date of Patent:** **** Jul. 29, 2008**

(54) **LIGHT**

(75) Inventors: **Ambreese S. Hill**, Jacksonville, FL
(US); **Robert Schultz**, Memphis, TN
(US); **Nicole Ashley Moody**, Memphis,
TN (US)

(73) Assignee: **Hunter Fan Company**, Memphis, TN
(US)

(**) Term: **14 Years**

(21) Appl. No.: **29/277,748**

(22) Filed: **Mar. 8, 2007**

(51) **LOC (8) Cl.** **26-05**

(52) **U.S. Cl.** **D26/26**

(58) **Field of Classification Search** D26/24,
D26/25, 26, 1, 2, 3, 67, 72, 74, 75, 76, 93,
D26/105, 113, 80, 102, 104, 37, 85, 89; 362/84,
362/121, 217, 223, 640, 641, 649, 650, 236,
362/260, 309, 310, 311, 365, 219

See application file for complete search history.

(56) **References Cited**

U.S. PATENT DOCUMENTS

4,344,116 A * 8/1982 Martin 362/644
D321,406 S * 11/1991 Schlesselman D26/67
D343,019 S * 1/1994 Garrity D26/37
D361,144 S * 8/1995 Loiselet D26/44
D392,400 S * 3/1998 Emmerling D26/26
D393,733 S * 4/1998 Gaskins et al. D26/67
D443,713 S * 6/2001 Benensohn D26/72
6,979,107 B1 * 12/2005 Benensohn 362/374

D544,119 S 6/2007 Ding et al.
D544,618 S * 6/2007 Coughaine D26/37
D551,795 S * 9/2007 Compton et al. D26/89
D556,938 S * 12/2007 Russello et al. D26/89
D562,492 S * 2/2008 Chen D26/85
2003/0151925 A1 * 8/2003 Crunk 362/545

OTHER PUBLICATIONS

EK Success Merry Glo Round Light Box-9" Round/Teal website
printout <http://www.ritzcamera.com/product/EP8848998.htm>.

* cited by examiner

Primary Examiner—Jennifer Rivard

Assistant Examiner—Angela J Lee

(74) *Attorney, Agent, or Firm*—Baker Donelson et al.

(57) **CLAIM**

The ornamental design for a light, as shown and described.

DESCRIPTION

FIG. 1 is a perspective view of a light showing our new design.

FIG. 2 is a bottom view thereof.

FIG. 3 is a left side view thereof.

FIG. 4 is a top view thereof.

FIG. 5 is a right side view thereof.

FIG. 6 is a front view thereof; and,

FIG. 7 is a rear view thereof.

The broken lines in the views show environmental features which are for illustrative purposes only and form no part of the claimed design.

1 Claim, 4 Drawing Sheets

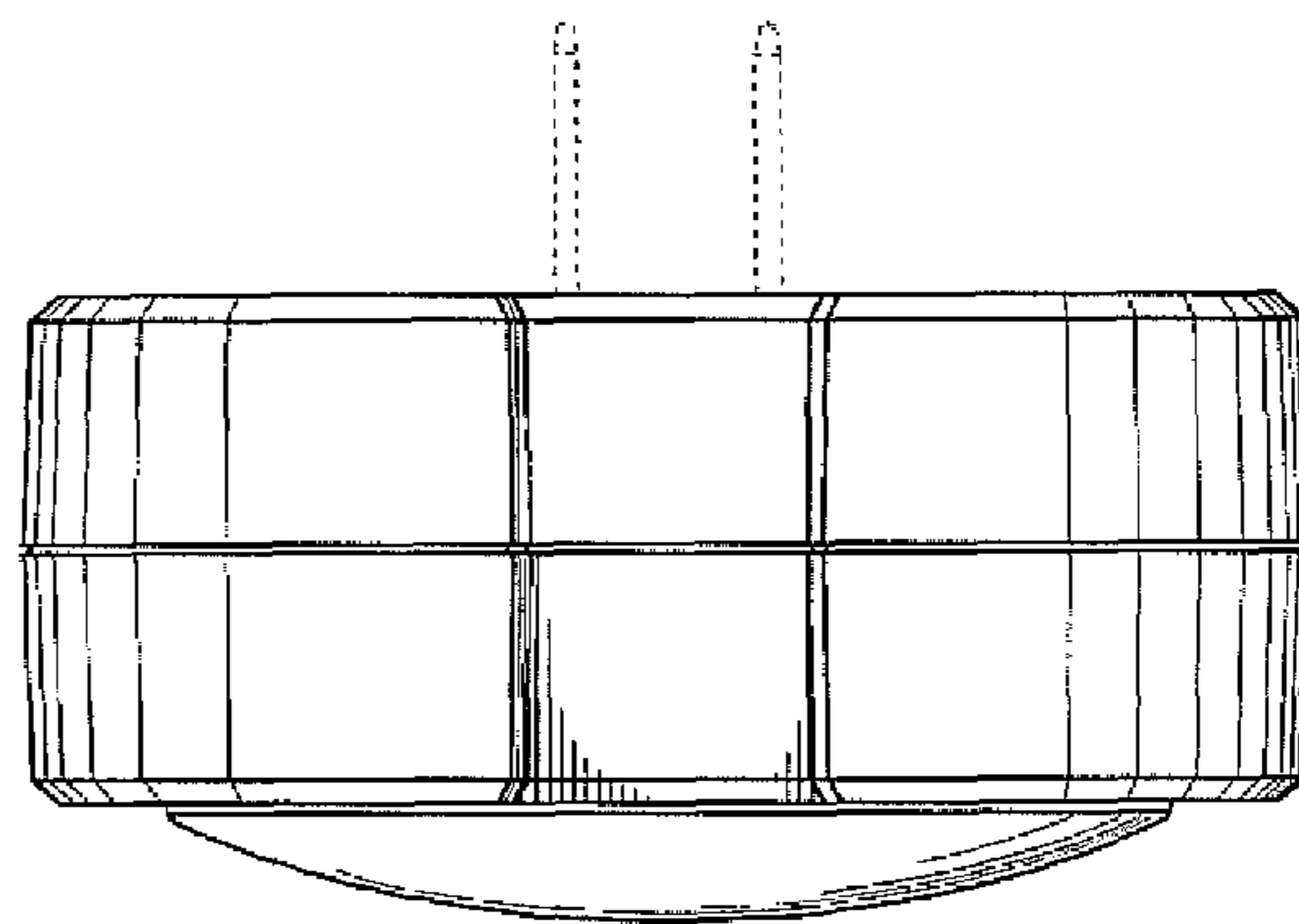
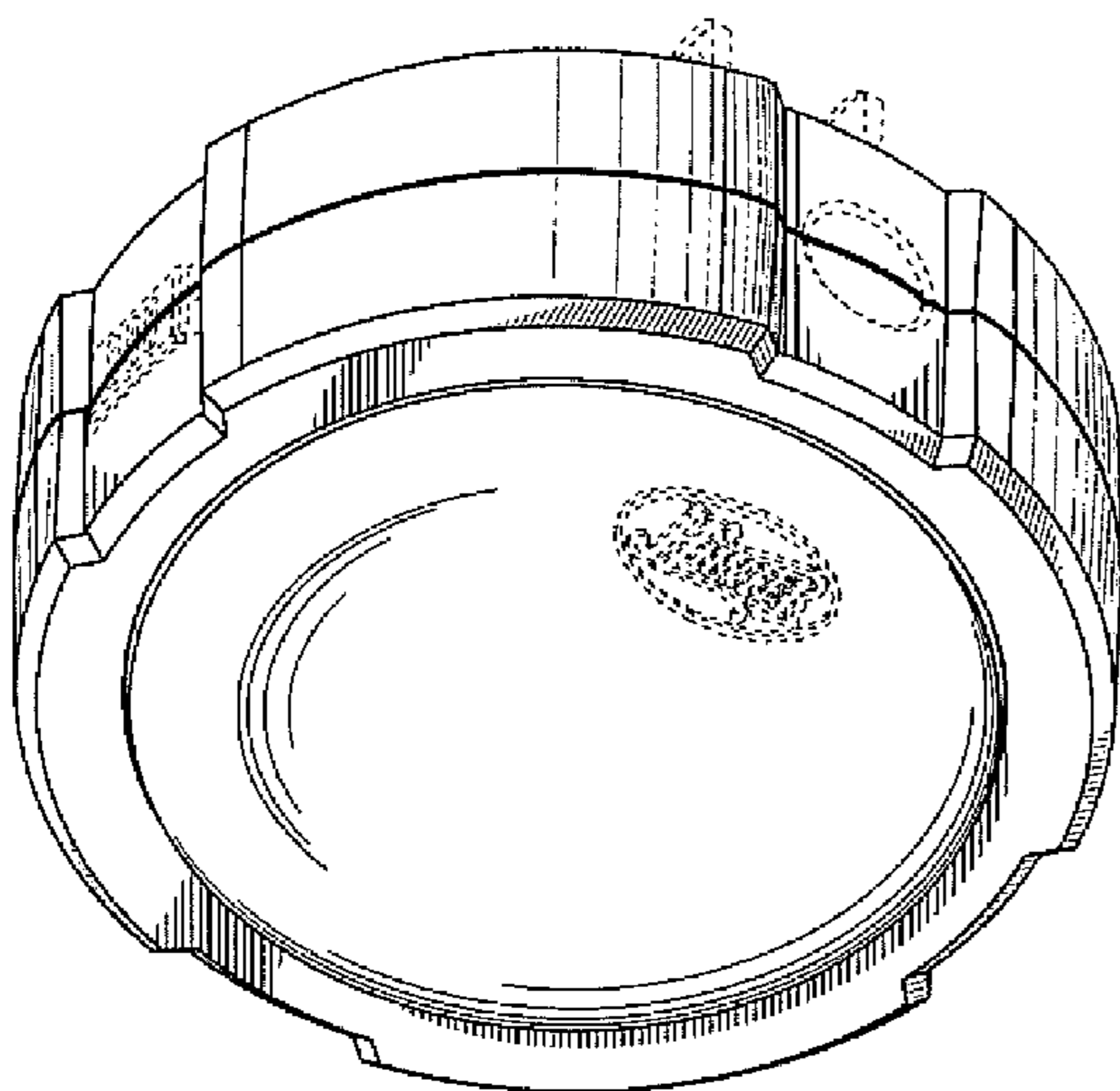


Fig. 1

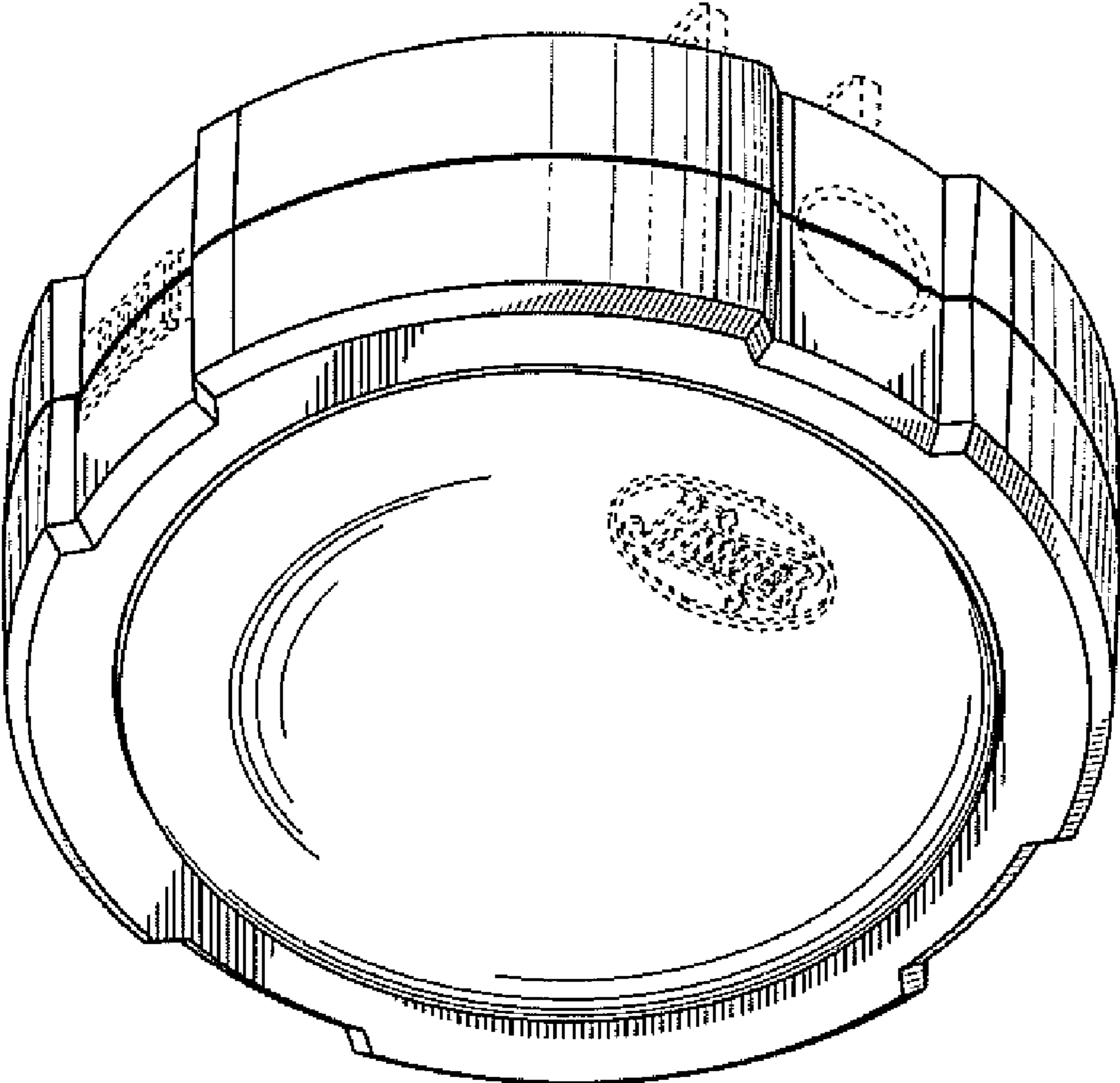


Fig. 2

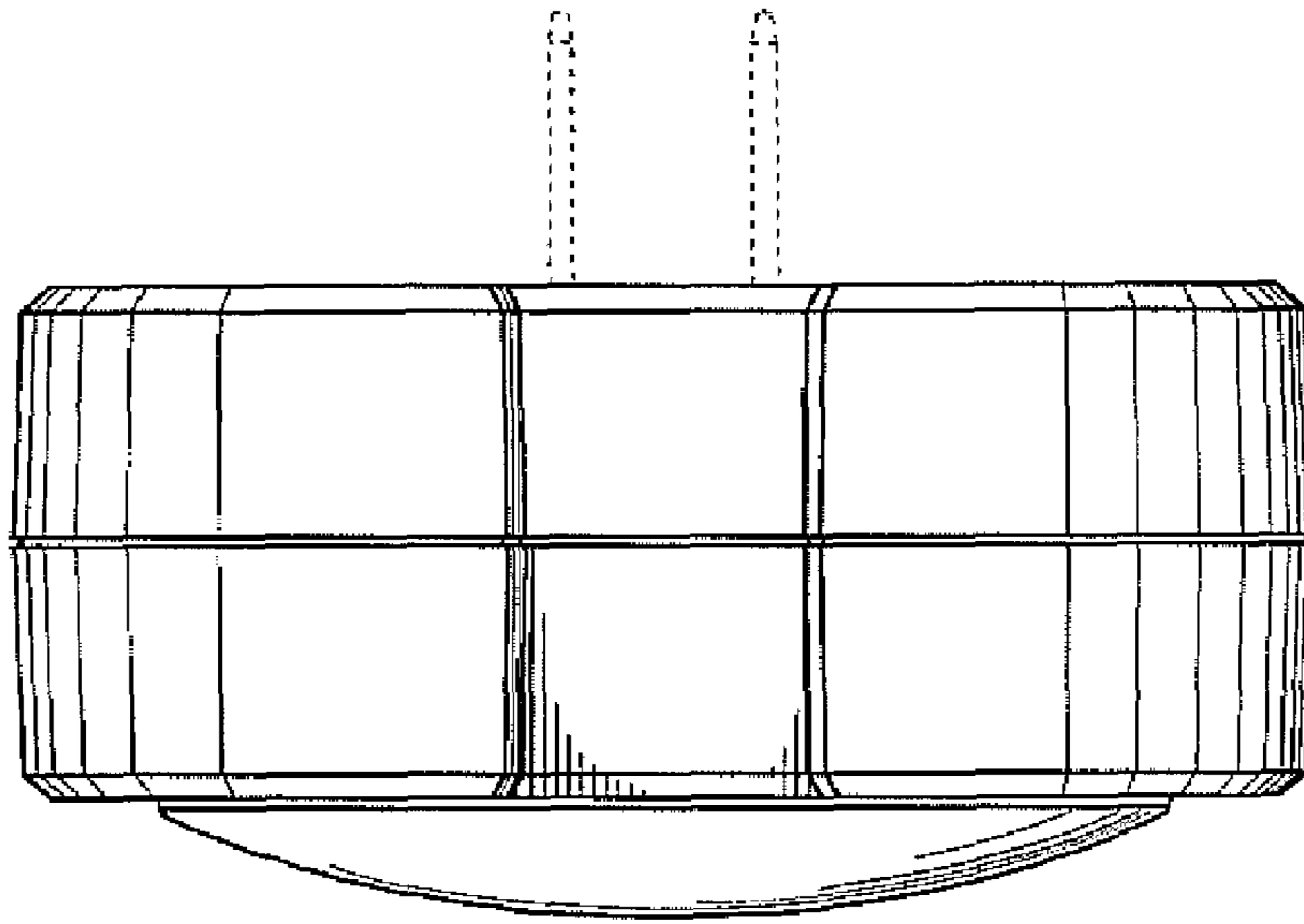


Fig. 3

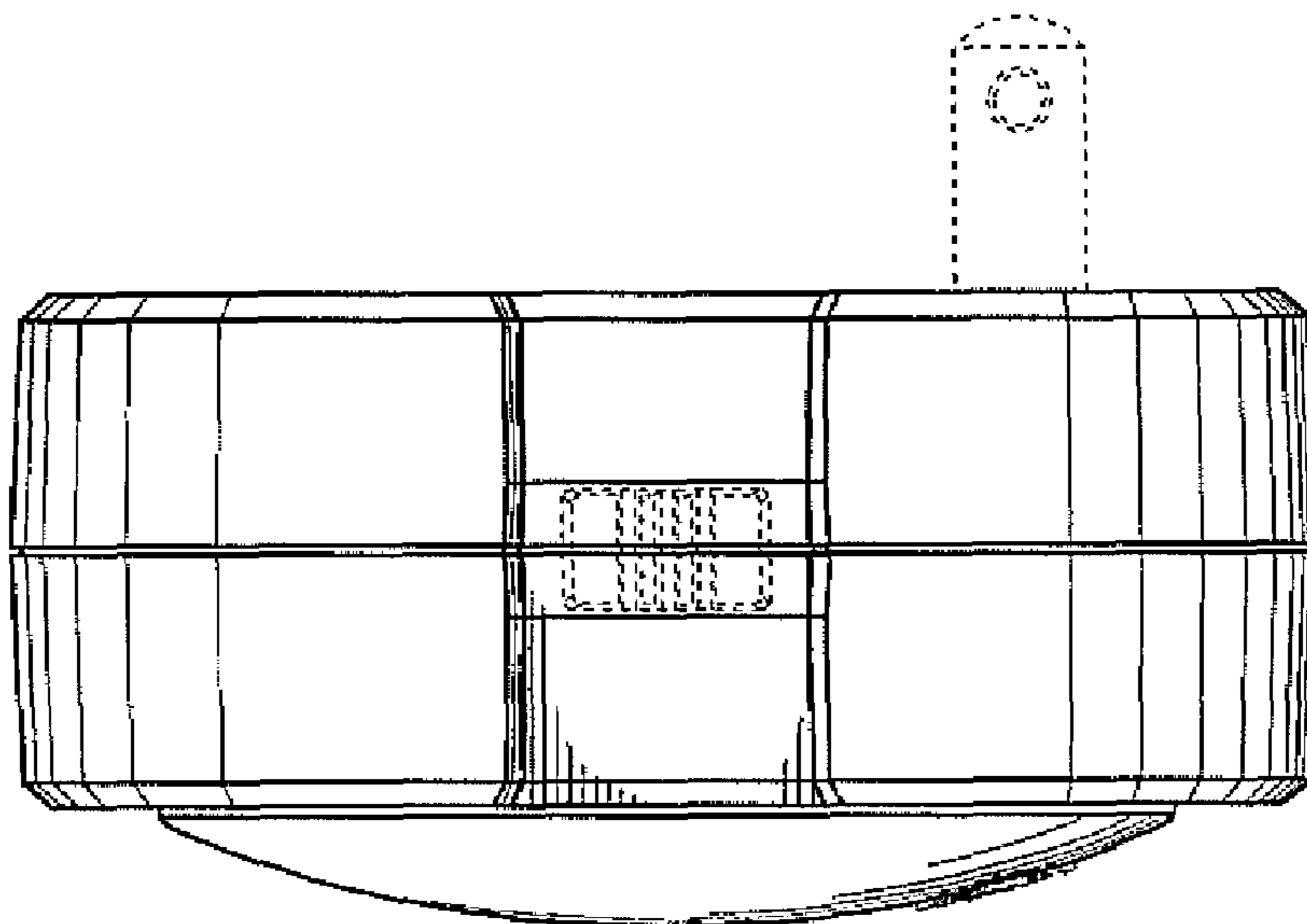


Fig. 4

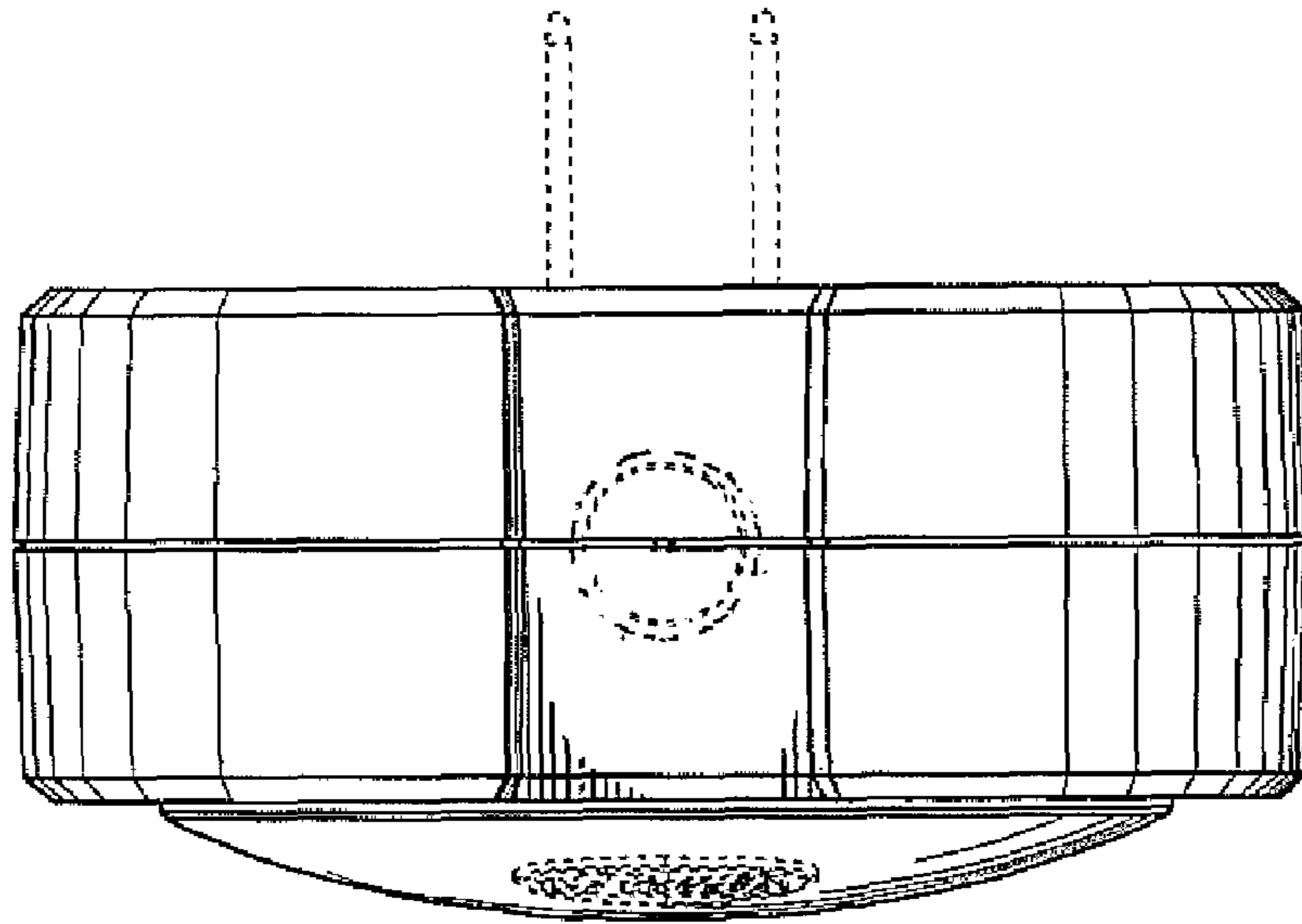


Fig. 5

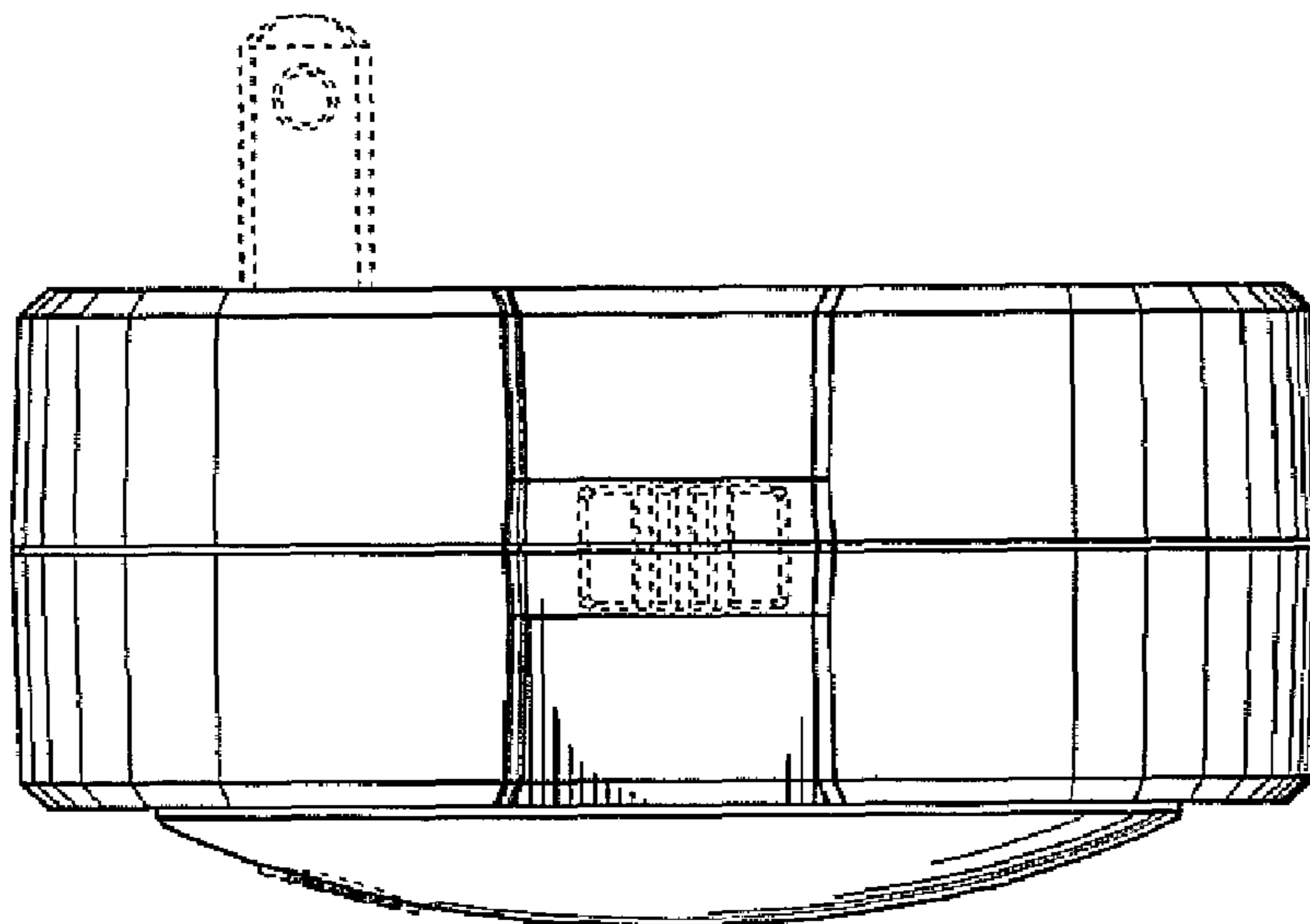


Fig. 6

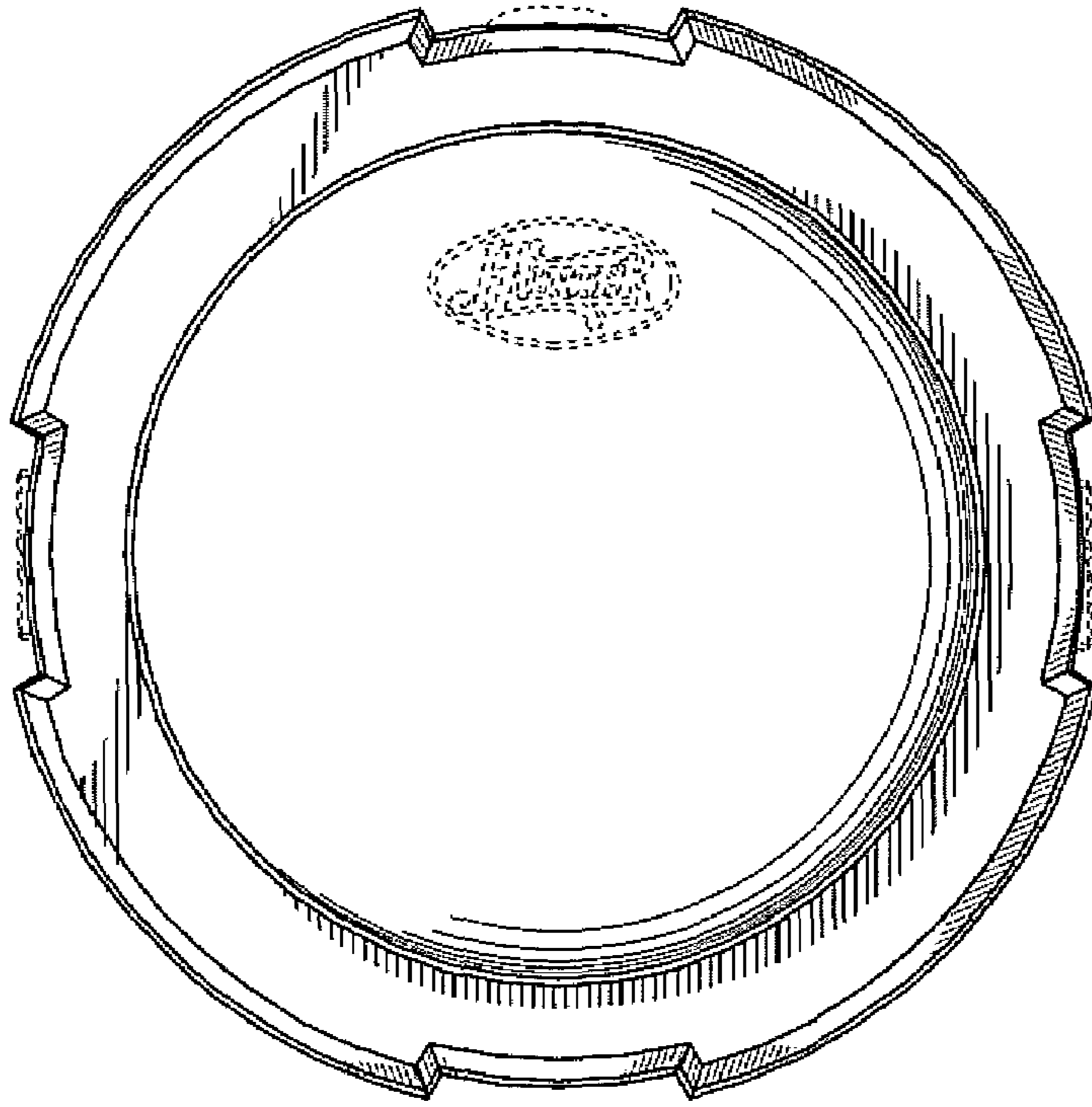


Fig. 7

