



US00D574090S

(12) **United States Design Patent**  
**Takada et al.**

(10) **Patent No.:** **US D574,090 S**  
(45) **Date of Patent:** **\*\* Jul. 29, 2008**

(54) **LIGHT EMITTING DIODE LAMP**

(75) Inventors: **Tadashi Takada**, Tokyo (JP); **Hajime Ohno**, Tokyo (JP); **Kazuo Egawa**, Tokyo (JP)

(73) Assignee: **Toshiba Lighting & Technology Corporation**, Tokyo (JP)

(\*\*) Term: **14 Years**

(21) Appl. No.: **29/284,565**

(22) Filed: **Sep. 11, 2007**

(30) **Foreign Application Priority Data**

Mar. 28, 2007 (JP) ..... JP2007-007846

(51) **LOC (8) Cl.** ..... **26-04**

(52) **U.S. Cl.** ..... **D26/1**

(58) **Field of Classification Search** ..... D26/1-4,  
D26/24, 72, 80; 362/240, 555

See application file for complete search history.

(56) **References Cited**

**U.S. PATENT DOCUMENTS**

D539,943 S \* 4/2007 Egawa et al. .... D26/24  
D548,857 S \* 8/2007 Egawa ..... D26/1  
D550,868 S \* 9/2007 Egawa et al. .... D26/24  
D565,750 S \* 4/2008 Egawa ..... D26/1

**FOREIGN PATENT DOCUMENTS**

JP D1265801 2/2006

\* cited by examiner

*Primary Examiner*—Marcus A. Jackson  
(74) *Attorney, Agent, or Firm*—J.C. Patents

(57) **CLAIM**

The ornamental design for a light emitting diode lamp, as shown and described.

**DESCRIPTION**

FIG. 1 is a perspective view of a light emitting diode lamp showing the new design;

FIG. 2 is a front view thereof;

FIG. 3 is a rear view thereof;

FIG. 4 is a right side view thereof, the left side view being a mirror image of the right side view;

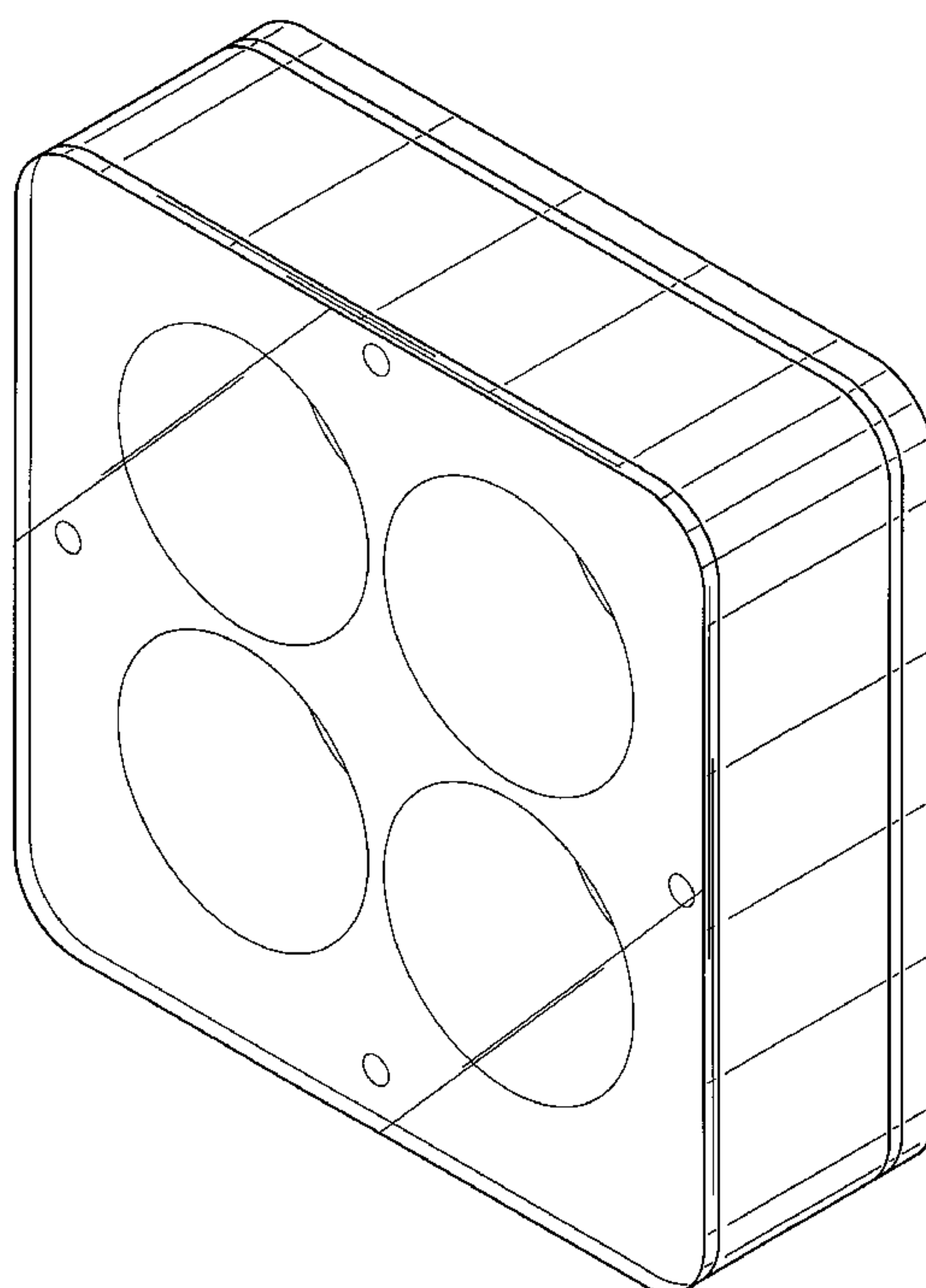
FIG. 5 is a top view thereof, the bottom view being a mirror image of the top view;

FIG. 6 is an end elevational view in section taken along line 6—6 in FIG. 2 with the internal parts omitted; and,

FIG. 7 is an end elevational view in section taken along line 7—7 in FIG. 2 with the internal parts omitted.

The claimed light emitting diode lamp includes a light emitting module, a frame with a reflector and a front cover. The light emitting module comprises a substrate and four light emitting diodes disposed in front of the substrate, and a heat dissipation plate is disposed at the back of the light emitting module. The reflector and the frame are formed integrally and are disposed in front of the light emitting module with the front cover. Groups of double lines spreading over the cross-sections as shown in FIG. 6 and FIG. 7 represent the transparent front cover.

**1 Claim, 7 Drawing Sheets**



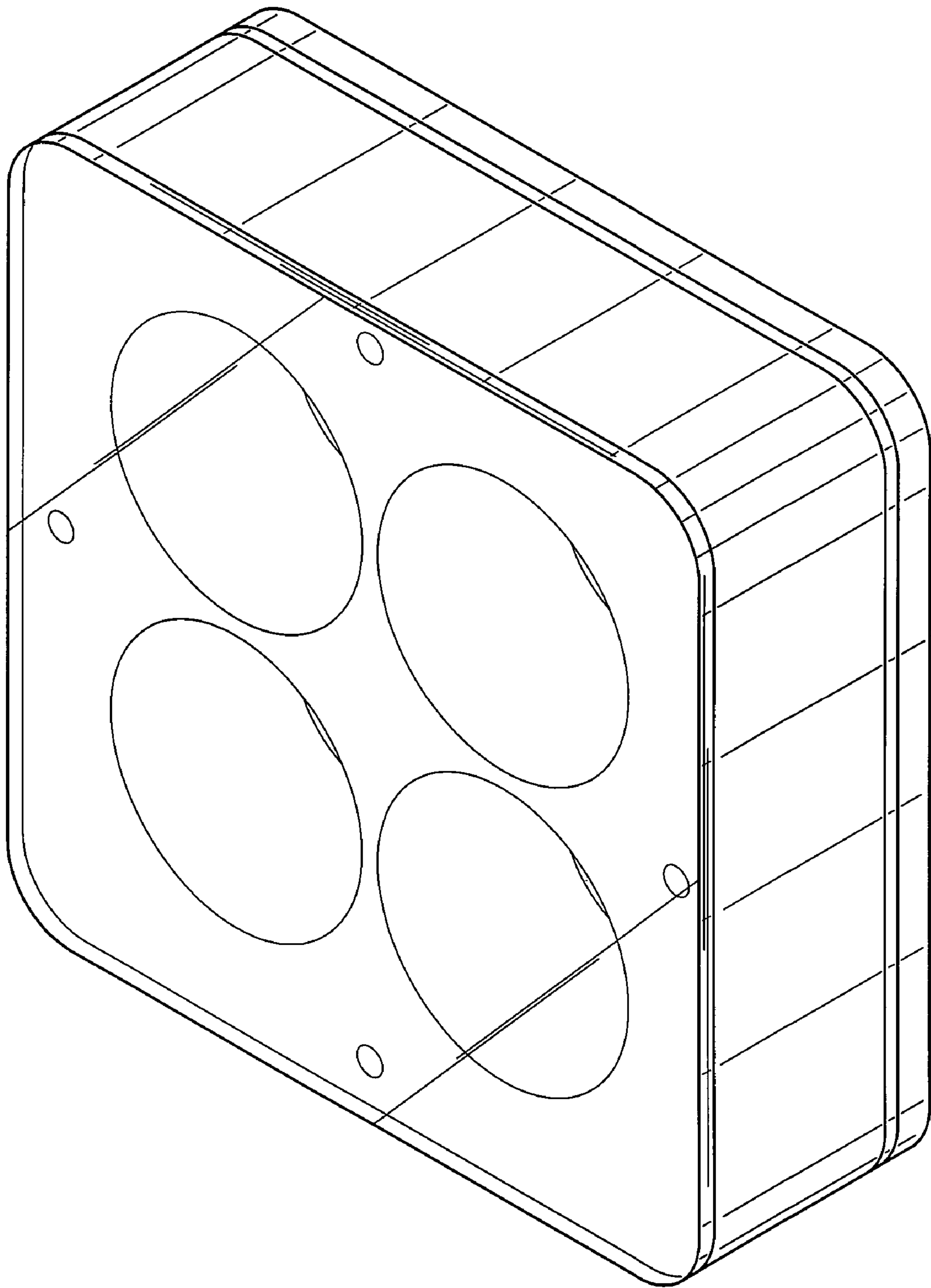


FIG. 1

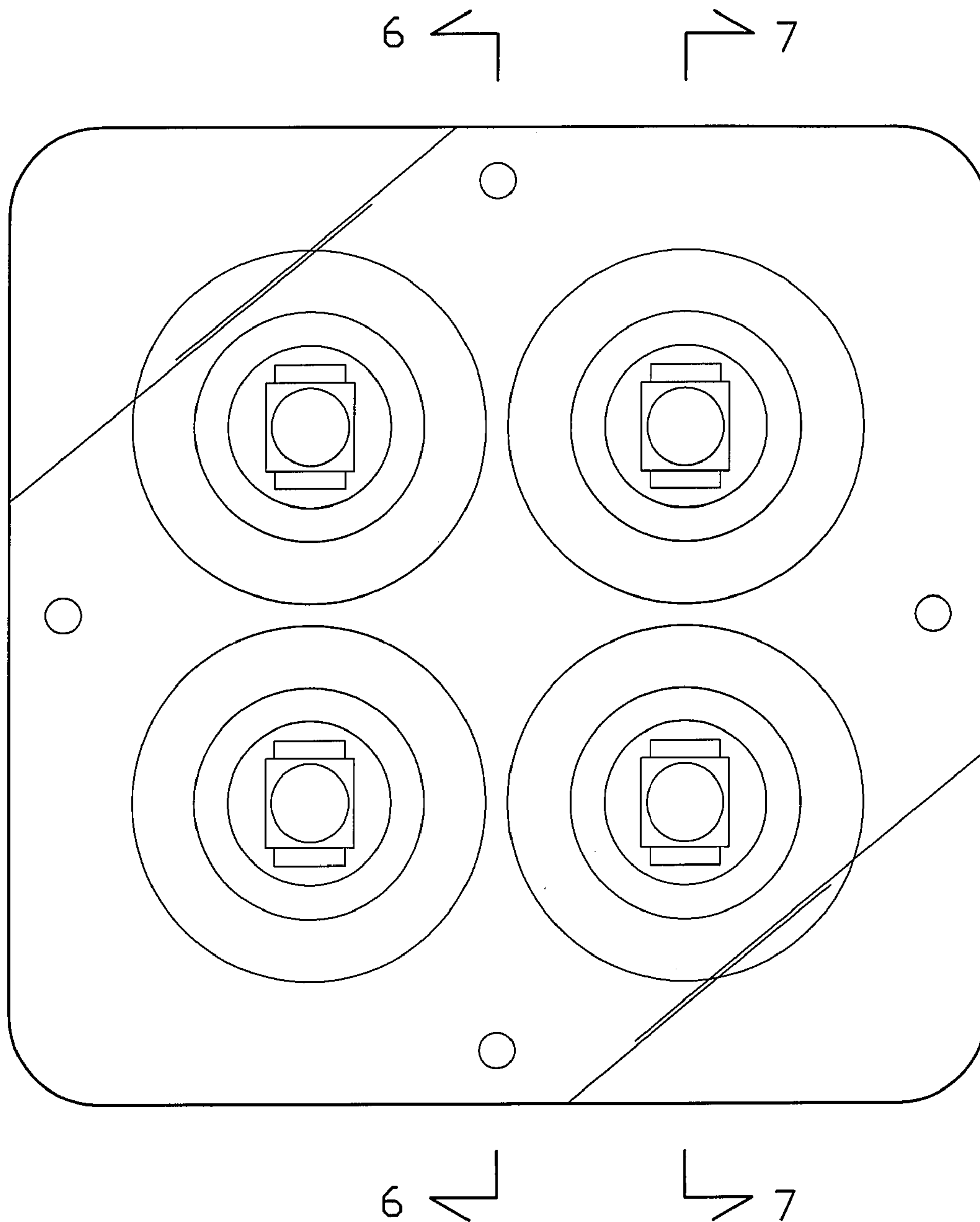


FIG. 2

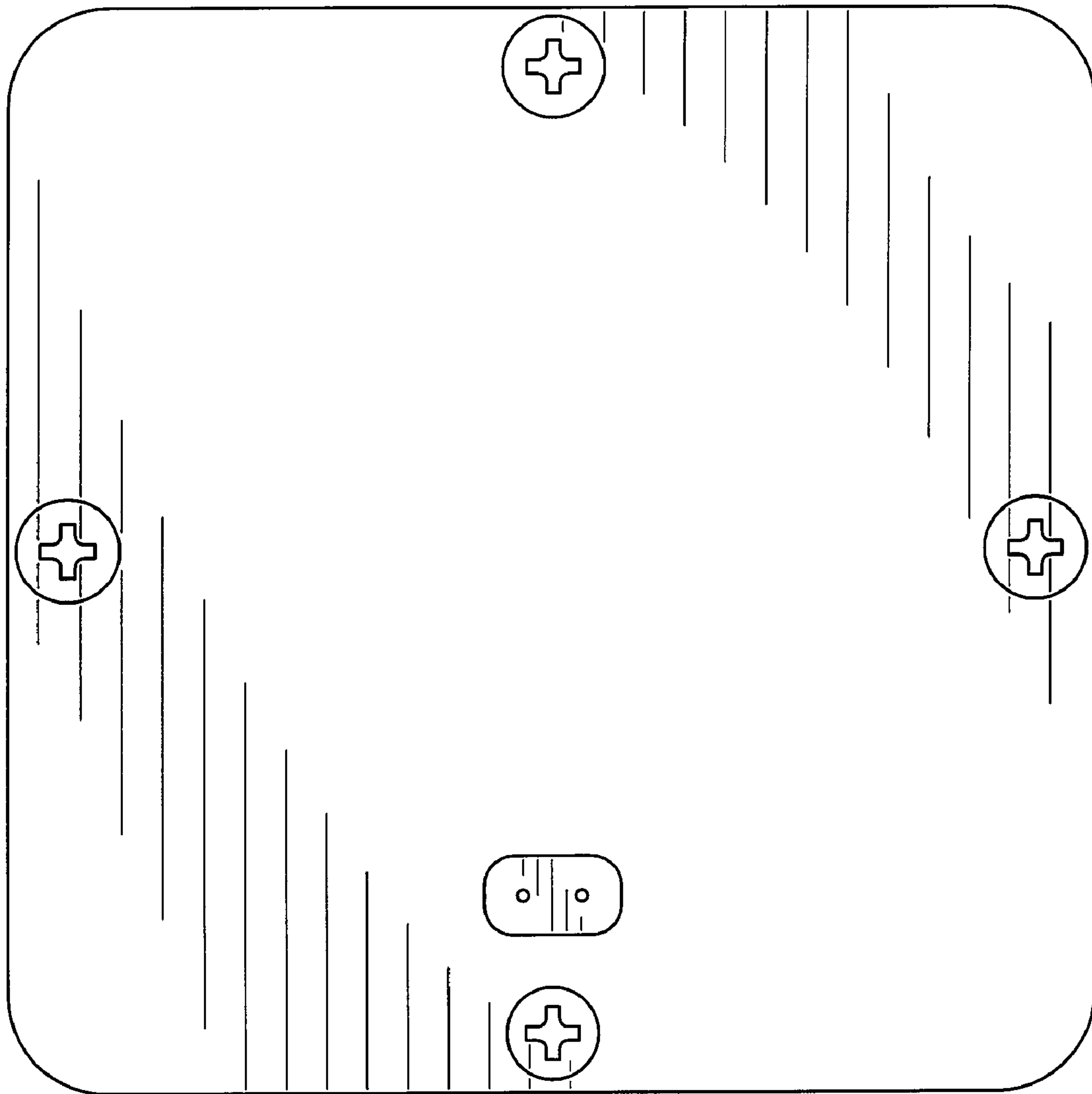


FIG. 3

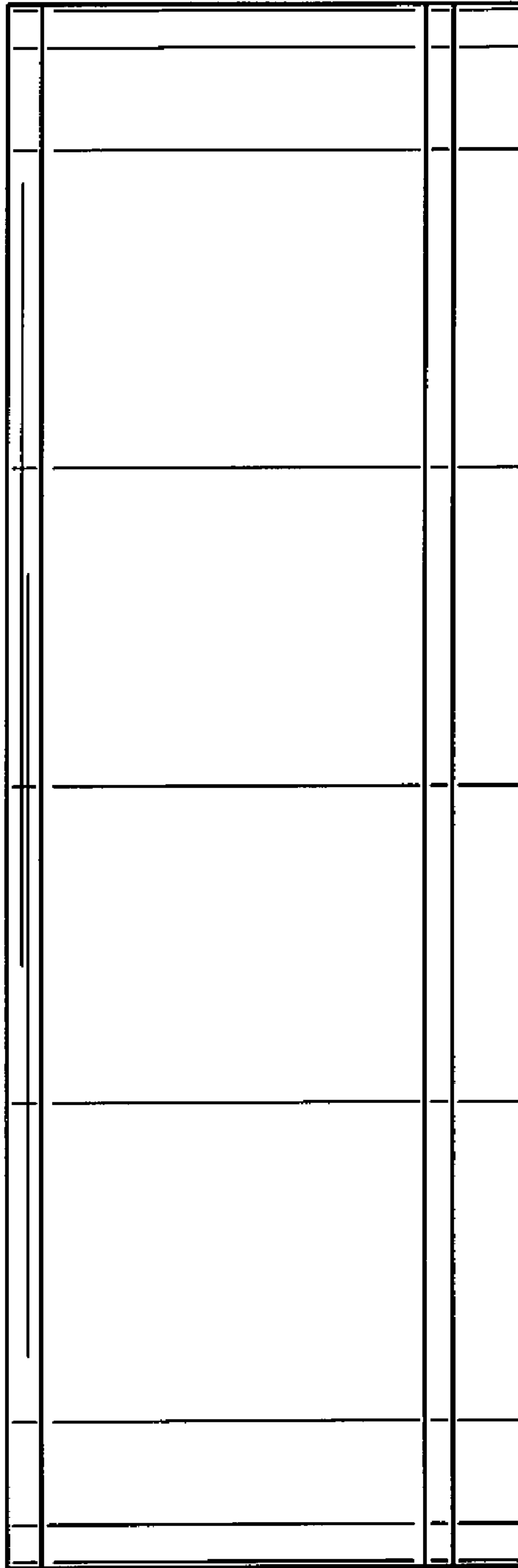


FIG. 4

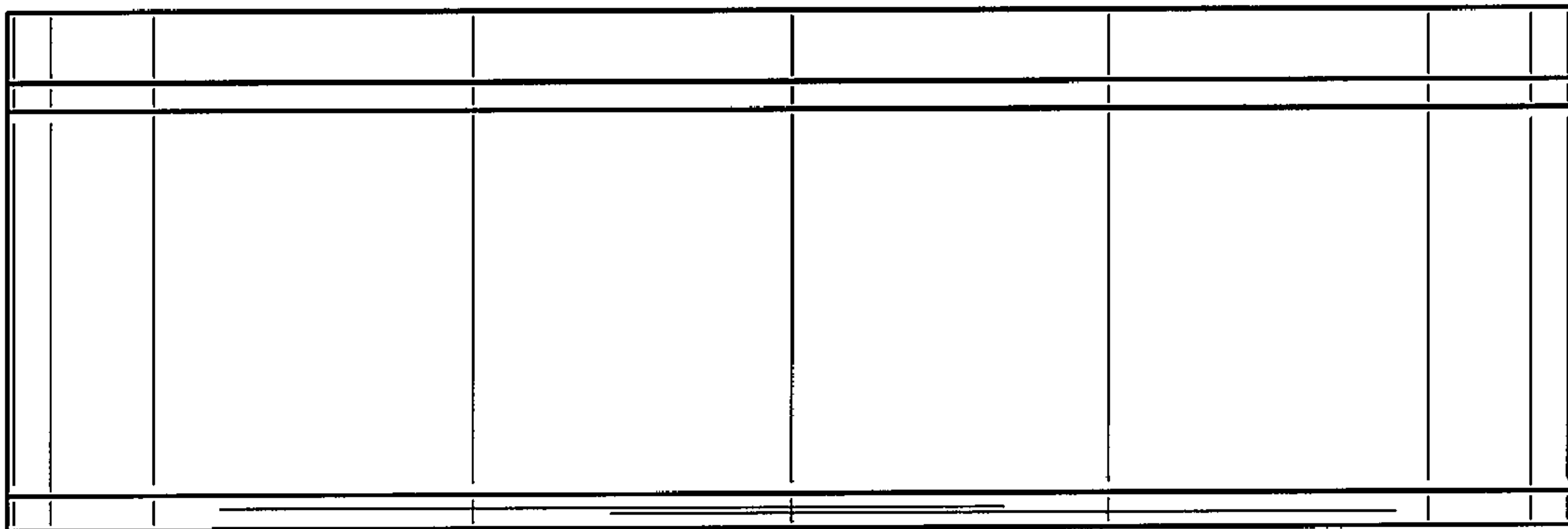


FIG. 5

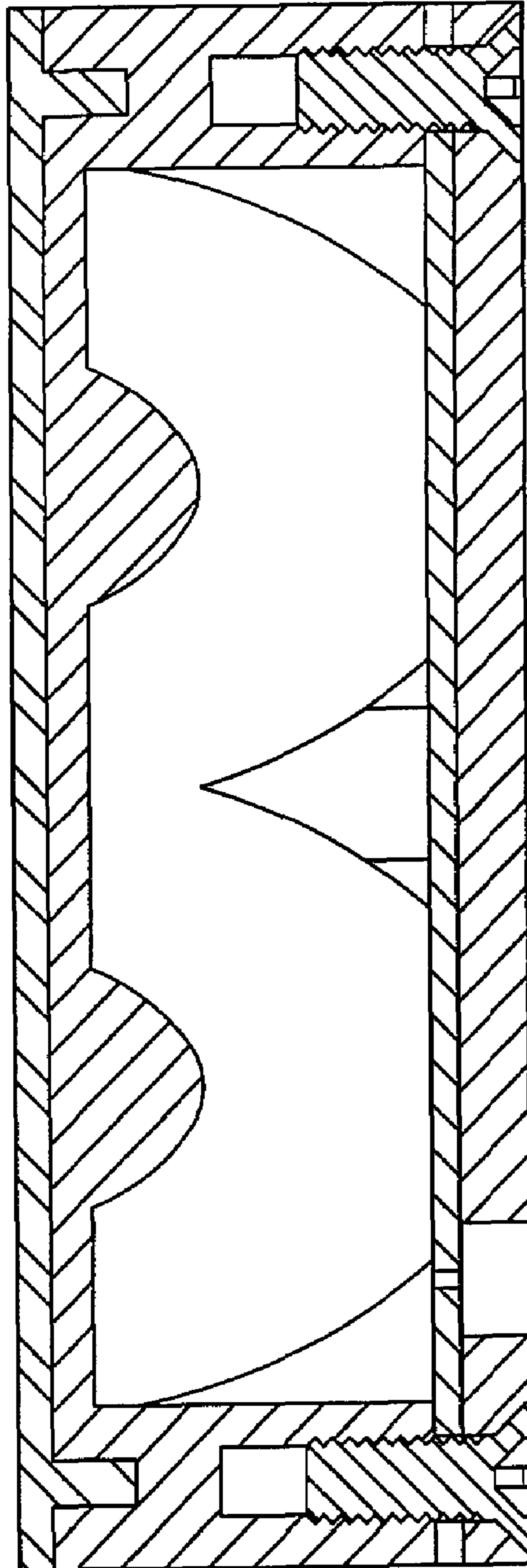


FIG. 6



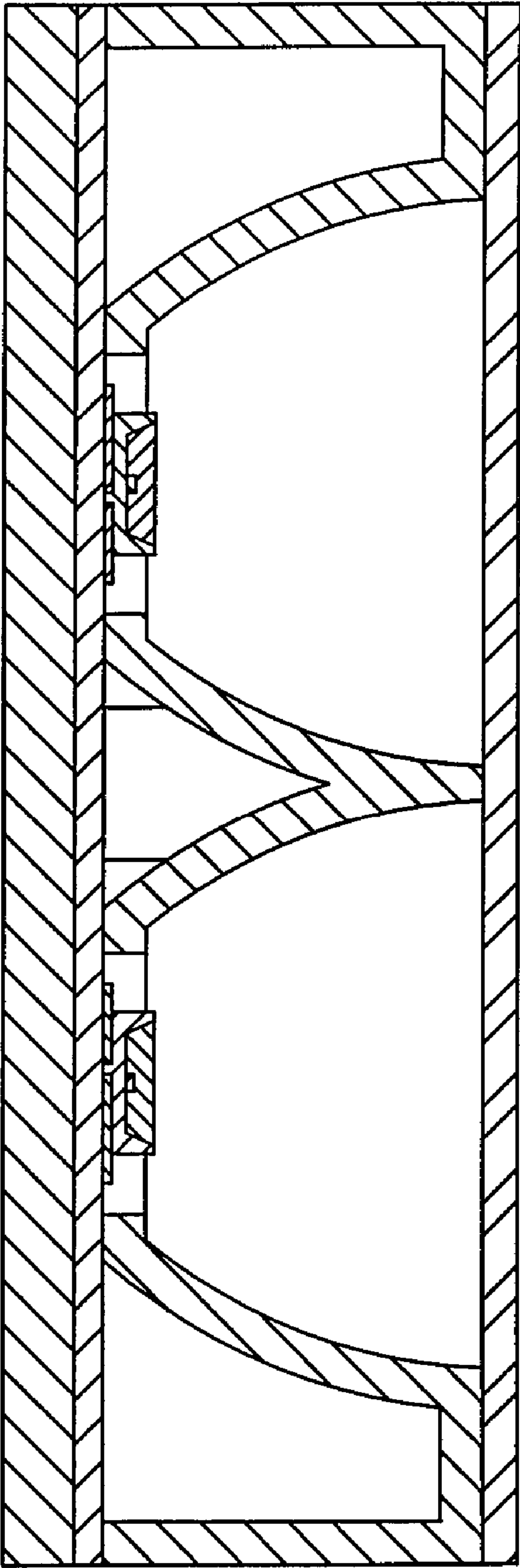


FIG. 7