



US00D574089S

(12) **United States Design Patent**
Takada et al.

(10) **Patent No.:** **US D574,089 S**
(45) **Date of Patent:** **** Jul. 29, 2008**

(54) **LIGHT EMITTING DIODE LAMP**

D565,750 S * 4/2008 Egawa D26/1

(75) Inventors: **Tadashi Takada**, Tokyo (JP); **Hajime Ohno**, Tokyo (JP); **Kazuo Egawa**, Tokyo (JP)

FOREIGN PATENT DOCUMENTS

JP D1265801 2/2006

* cited by examiner

(73) Assignee: **Toshiba Lighting & Technology Corporation**, Tokyo (JP)

Primary Examiner—Marcus A. Jackson
(74) *Attorney, Agent, or Firm*—J.C. Patents

(**) Term: **14 Years**

(57) **CLAIM**

(21) Appl. No.: **29/284,564**

The ornamental design for a light emitting diode lamp, as shown and described.

(22) Filed: **Sep. 11, 2007**

DESCRIPTION

(30) **Foreign Application Priority Data**

Mar. 28, 2007 (JP) 2007-007845

FIG. 1 is a perspective view of a light emitting diode lamp showing the new design;

(51) **LOC (8) Cl.** **26-04**

FIG. 2 is a front view thereof;

(52) **U.S. Cl.** **D26/1**

FIG. 3 is a rear view thereof;

(58) **Field of Classification Search** D26/1-4,
D26/24, 72, 80; 362/240, 555
See application file for complete search history.

FIG. 4 is a right side view thereof, the left side view being a mirror image of the right side view;

FIG. 5 is a top view thereof, the bottom view being a mirror image of the top view;

(56) **References Cited**

U.S. PATENT DOCUMENTS

D539,943 S * 4/2007 Egawa et al. D26/24

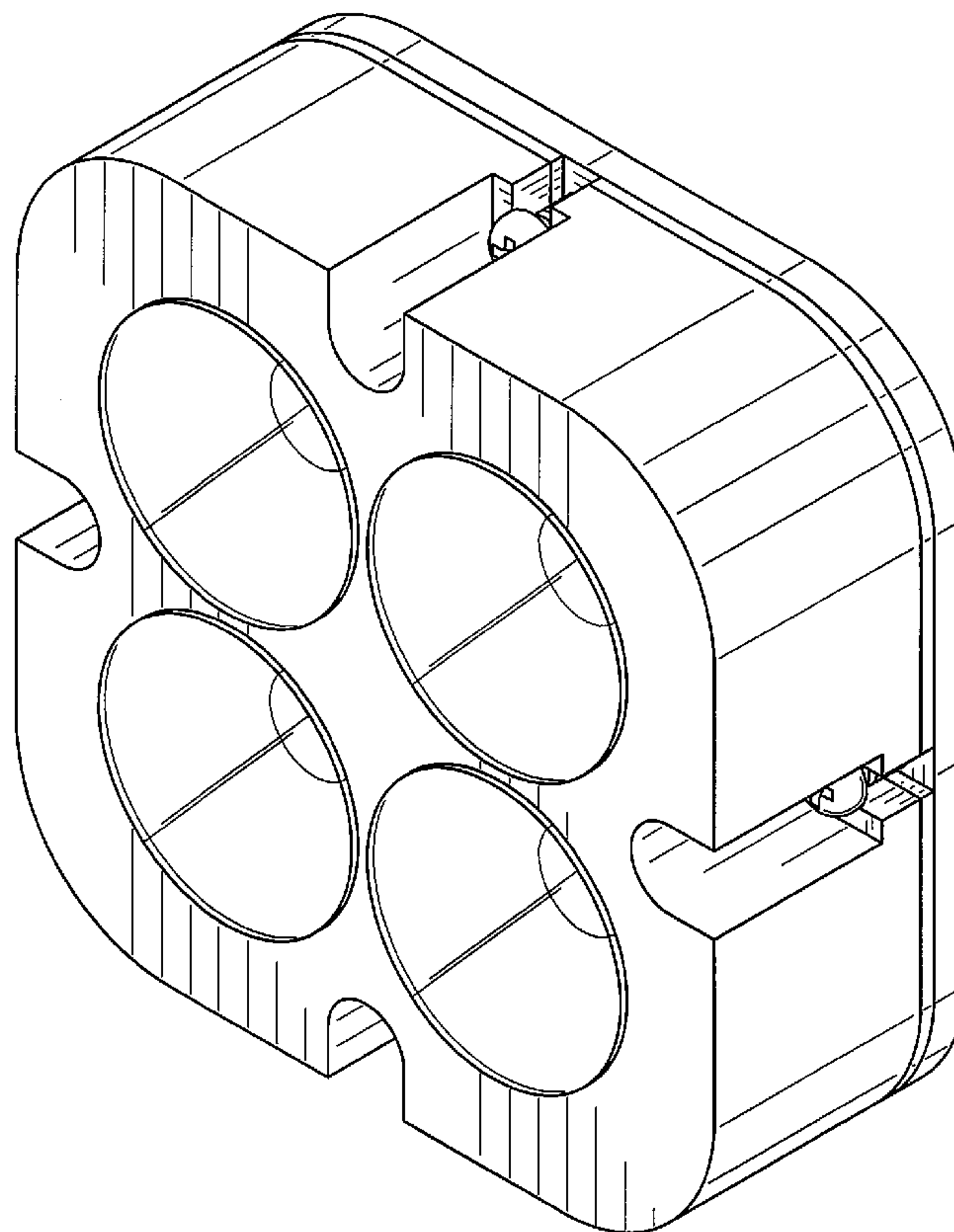
D548,857 S * 8/2007 Egawa D26/1

D550,868 S * 9/2007 Egawa et al. D26/24

FIG. 6 is an end elevational view in section taken along line 6—6 in FIG. 2 with the internal parts omitted; and,

FIG. 7 is an end elevational view in section taken along line 7—7 in FIG. 2 with the internal parts omitted.

1 Claim, 7 Drawing Sheets



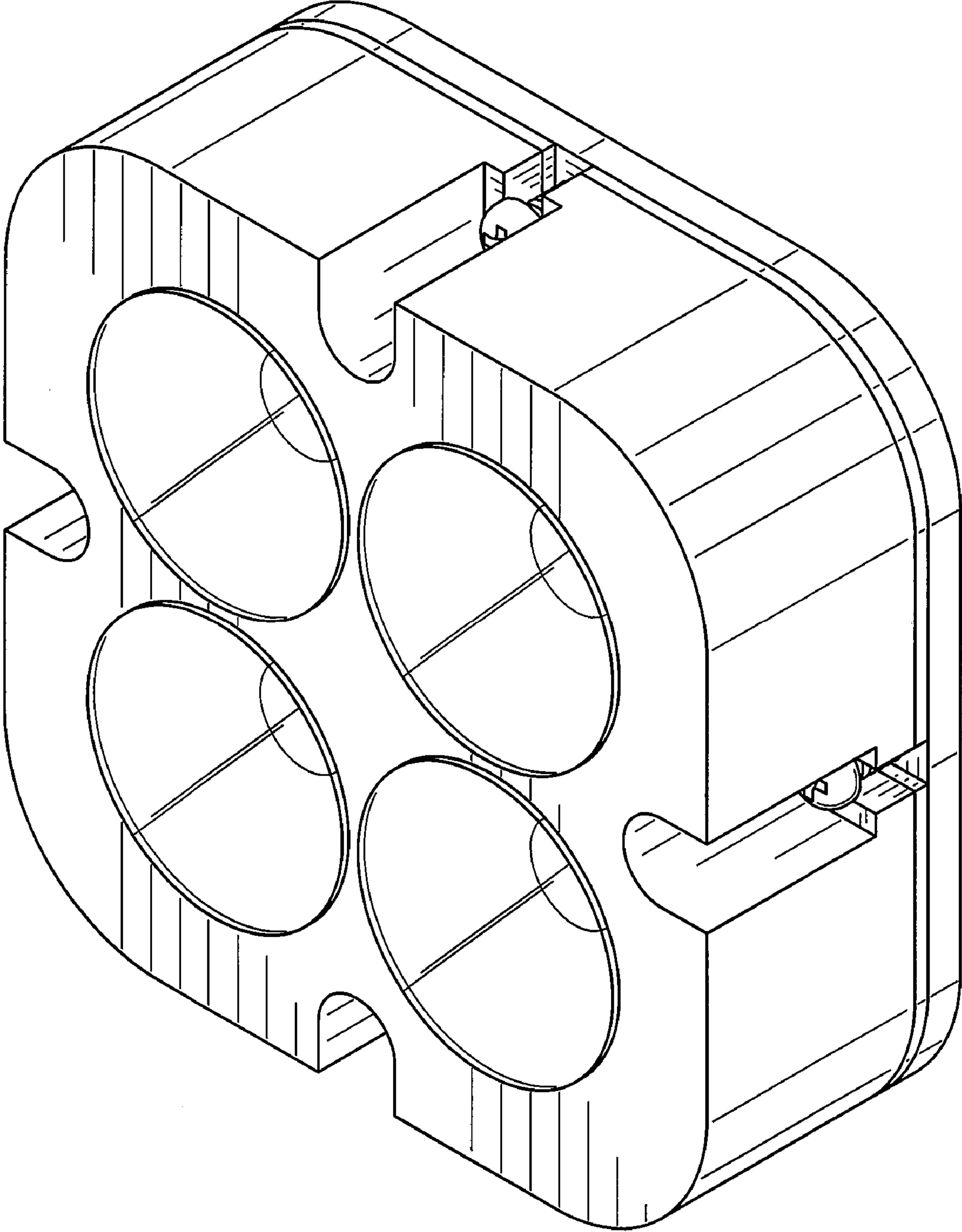


FIG. 1

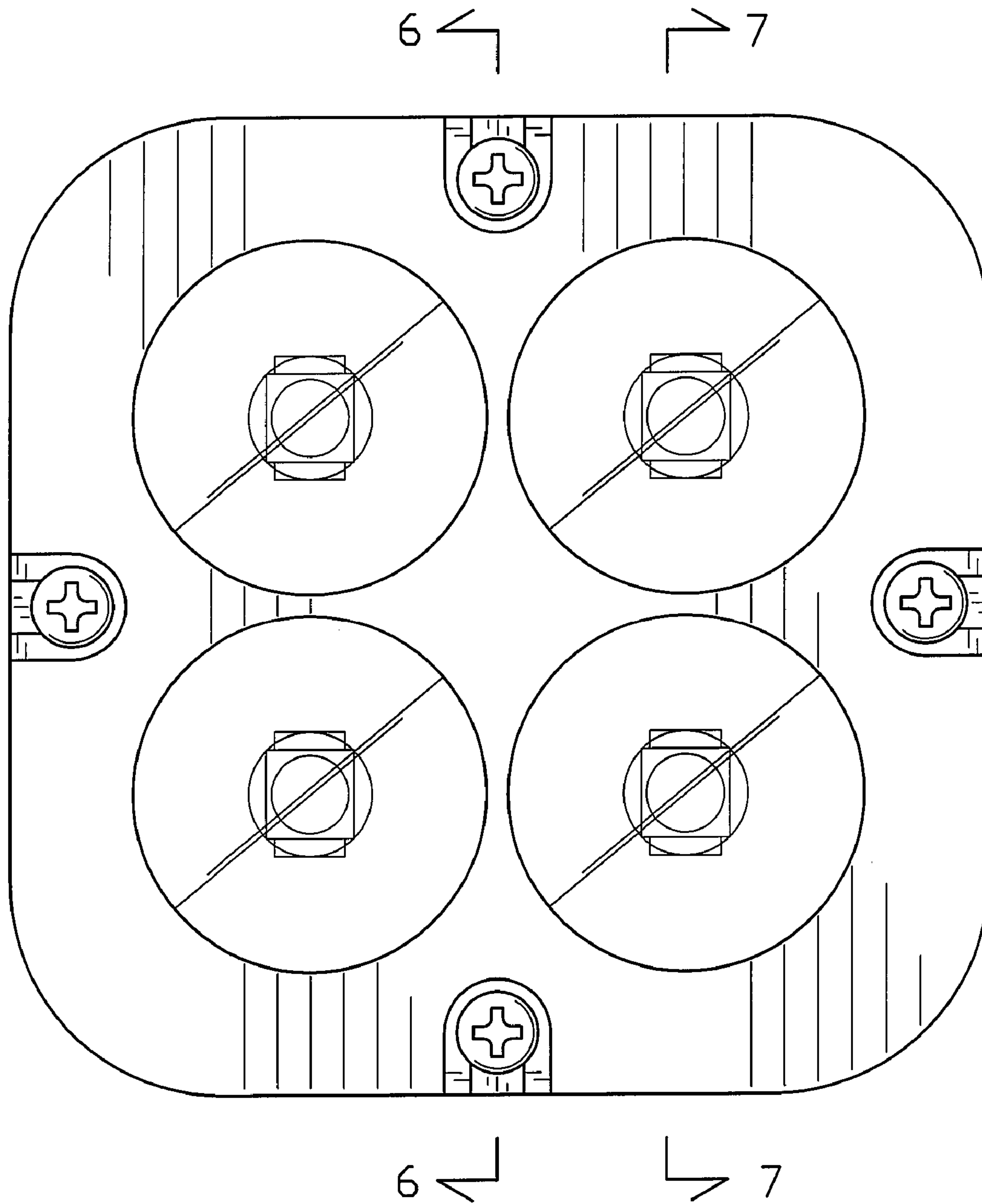


FIG. 2

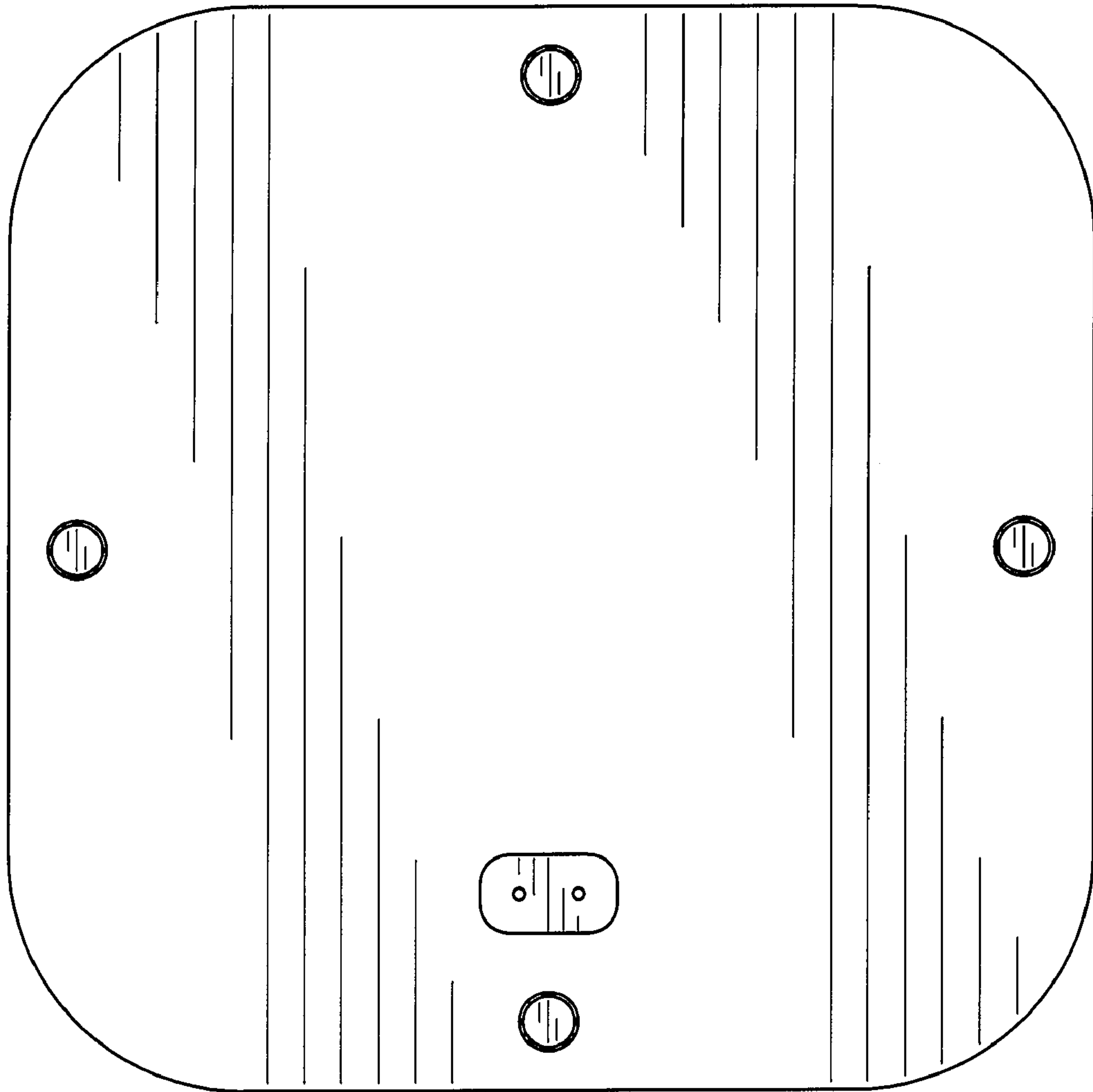


FIG. 3

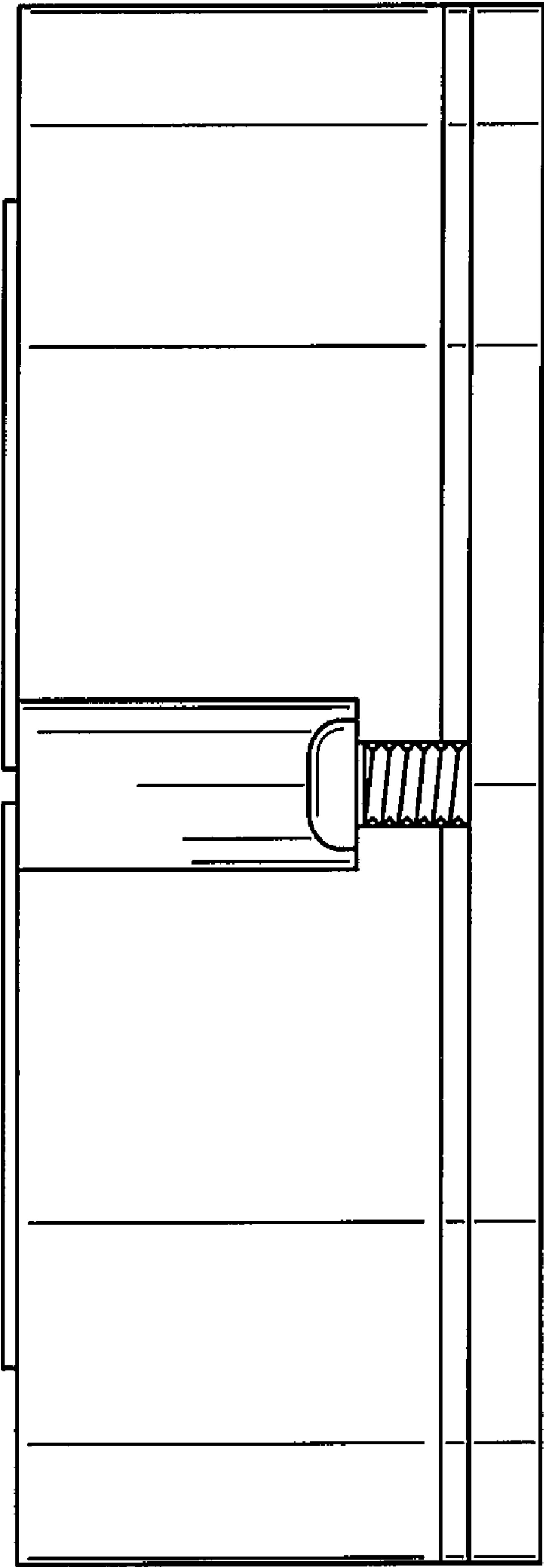


FIG. 4

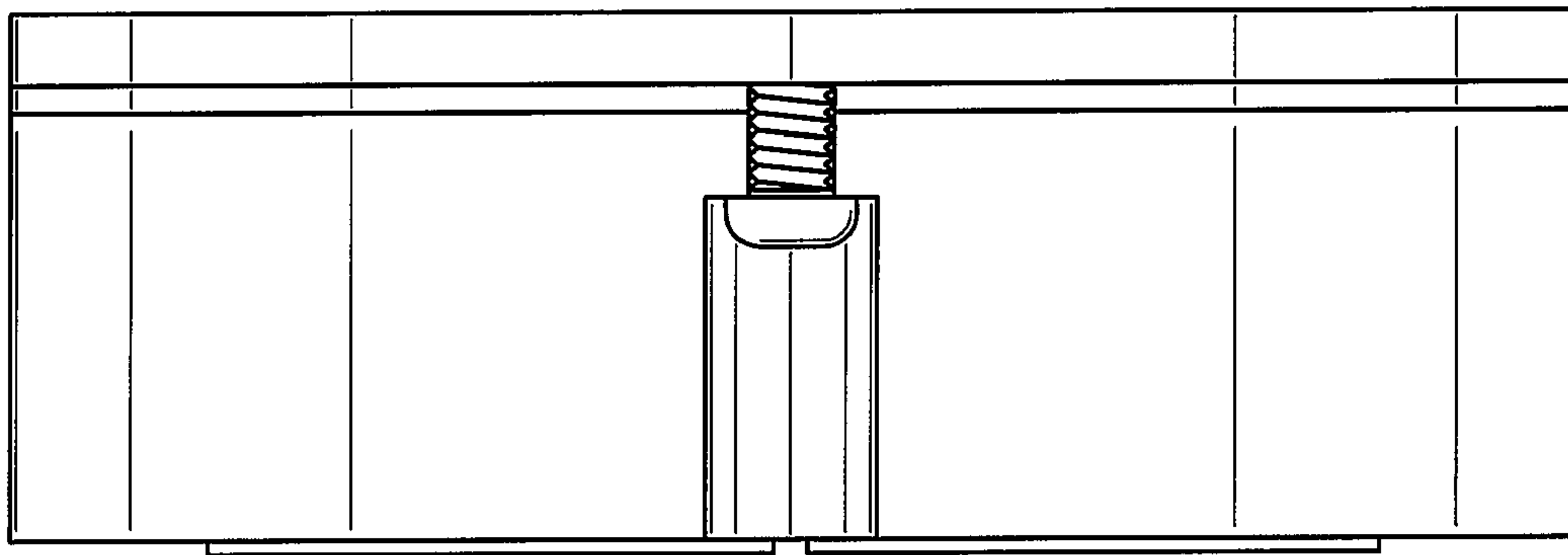


FIG. 5

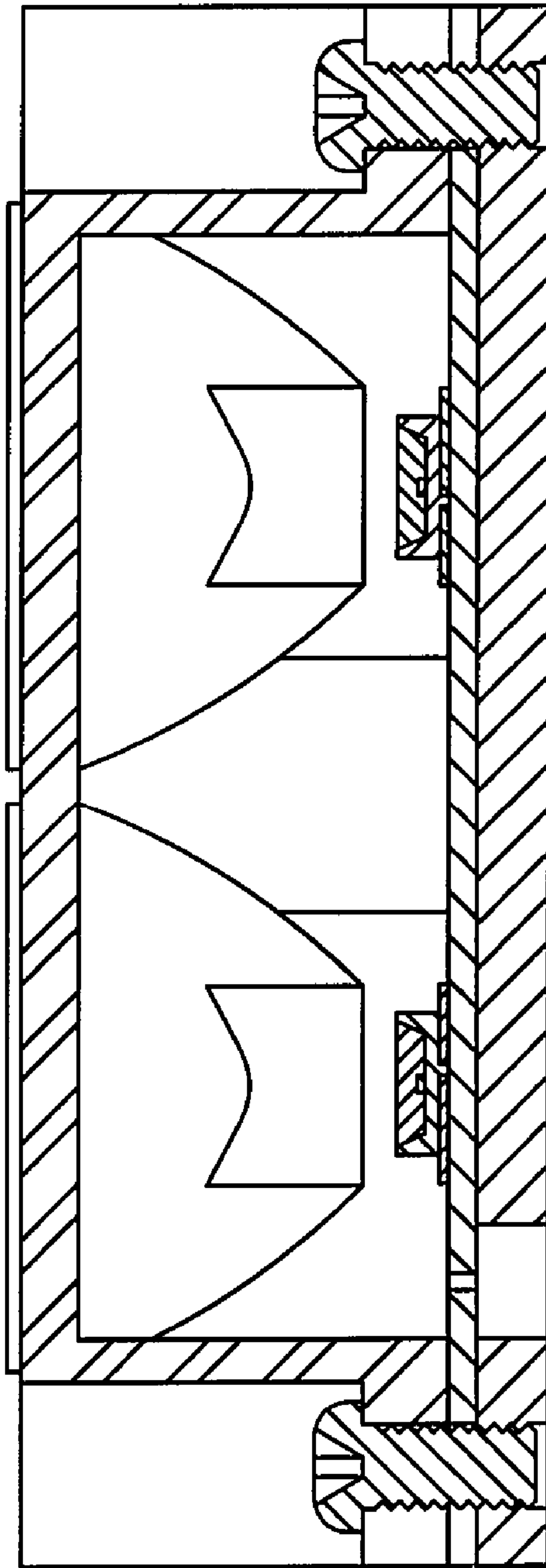


FIG. 6

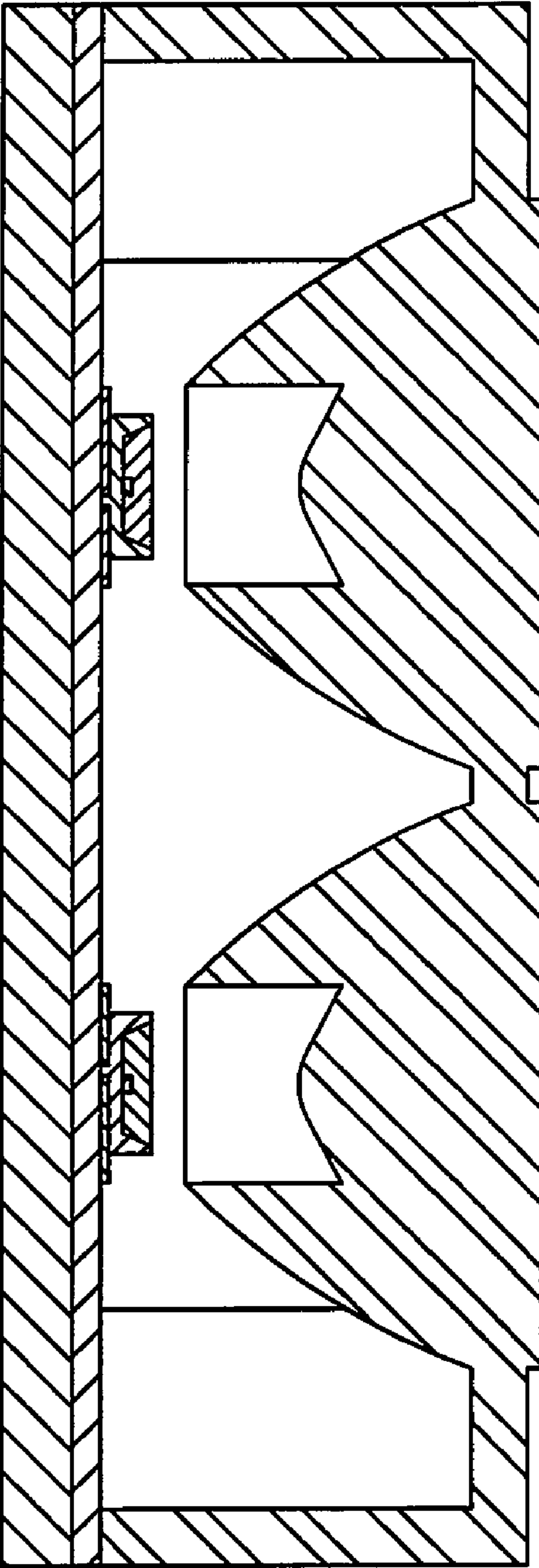


FIG. 7