



US00D574088S

(12) **United States Design Patent**
Kercher, III

(10) **Patent No.:** **US D574,088 S**
(45) **Date of Patent:** **** Jul. 29, 2008**

(54) **ENERGY CONSERVATION DEVICE**

(76) Inventor: **William C. Kercher, III**, 1409 Euclid Ave., #1, Miami Beach, FL (US) 33139

(**) Term: **14 Years**

(21) Appl. No.: **29/286,293**

(22) Filed: **May 1, 2007**

(51) **LOC (8) Cl.** **25-01**

(52) **U.S. Cl.** **D25/164**

(58) **Field of Classification Search** D25/119,
D25/164, 199; 49/490.1, 475.1, 472, 474;
52/716.2, 717.03; 428/122

See application file for complete search history.

(56) **References Cited**

U.S. PATENT DOCUMENTS

4,449,267	A *	5/1984	Siemion	15/257.01
4,660,323	A *	4/1987	Kanies	49/70
D417,295	S *	11/1999	Trieste	D25/199
D446,870	S *	8/2001	Gardner	D25/136
D498,309	S *	11/2004	Koerner et al.	D25/164

* cited by examiner

Primary Examiner—Doris Clark

(74) *Attorney, Agent, or Firm*—Stetina Brunda Garred & Brucker

(57) **CLAIM**

The ornamental design for an energy conservation device, as shown and described.

DESCRIPTION

FIG. 1 is a perspective view of the energy conservation device of the present invention showing my new design with the dotted lines depicting solely environmental structure and forming no part of the claimed design;

FIG. 2 is an end view thereof;

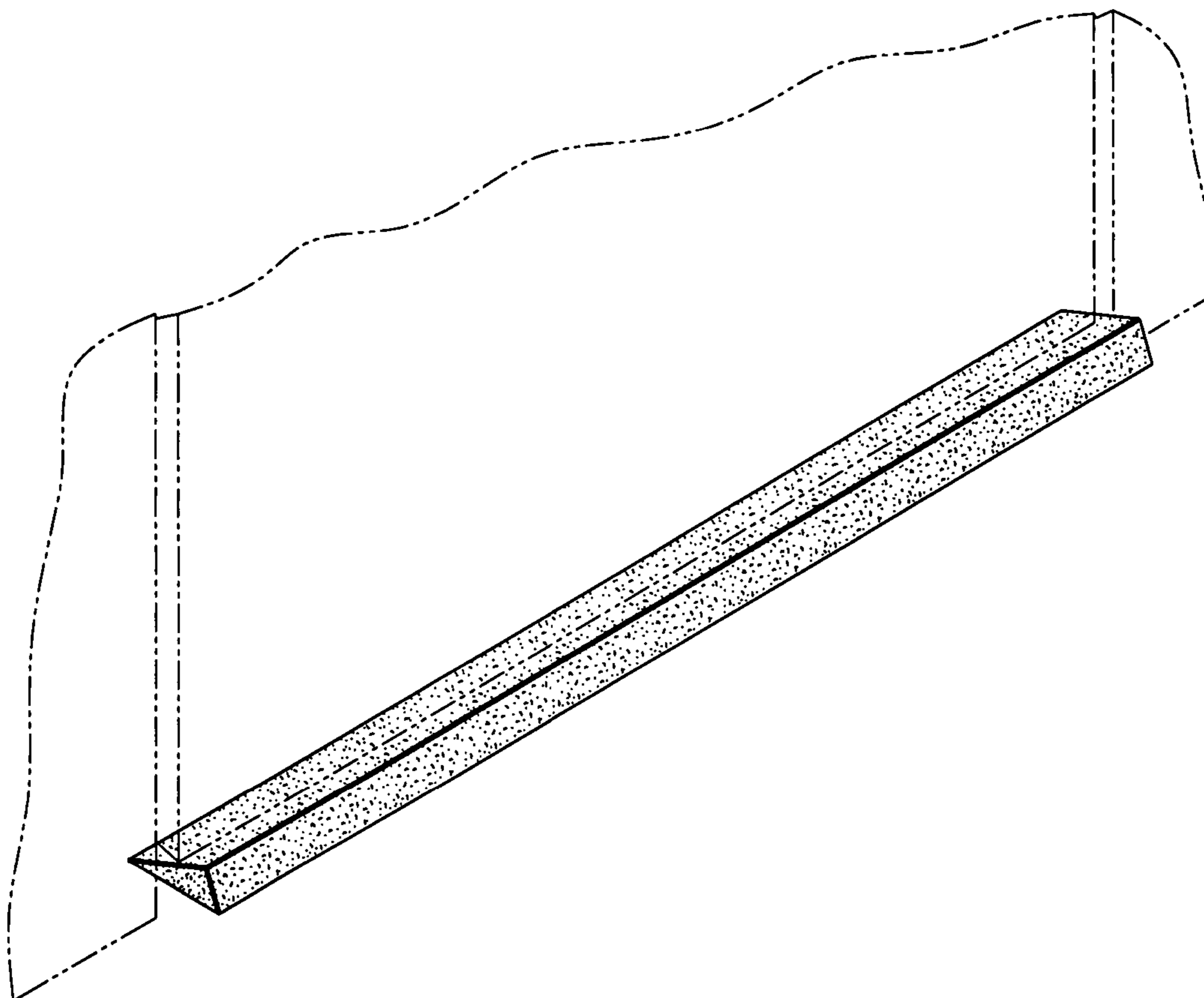
FIG. 3 is a top plan view thereof;

FIG. 4 is a front elevational view thereof;

FIG. 5 is a bottom plan view thereof; and,

FIG. 6 is a front elevational view thereof.

1 Claim, 1 Drawing Sheet



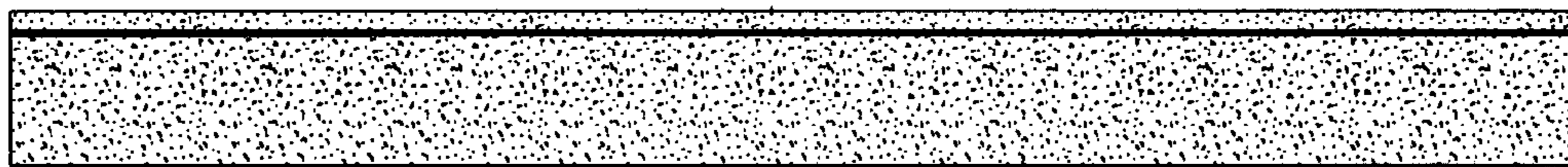
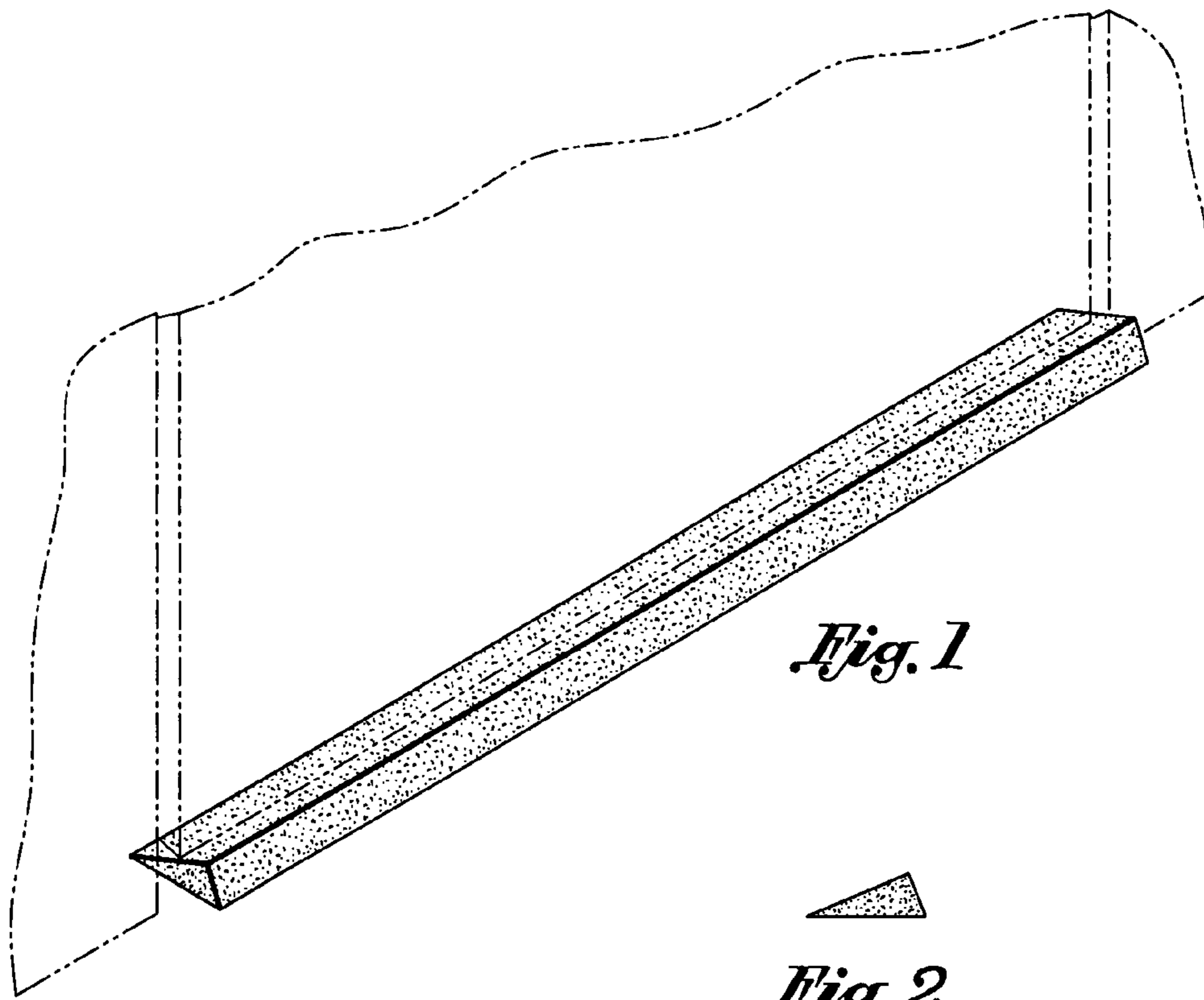


Fig. 3



Fig. 4

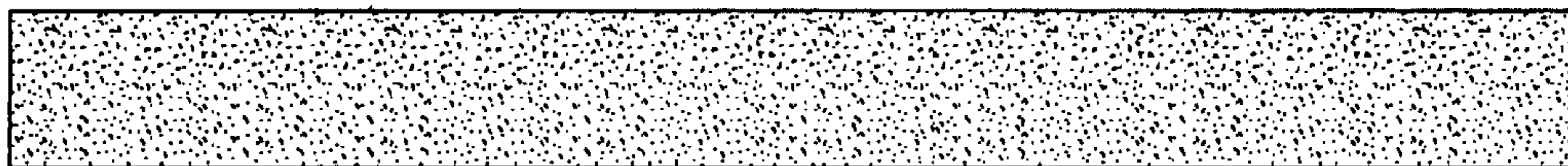


Fig. 5



Fig. 6