



US00D574085S

(12) **United States Design Patent**
Lucchetti

(10) **Patent No.:** **US D574,085 S**
(45) **Date of Patent:** **** Jul. 29, 2008**

(54) **STICKING PLASTER FOR MEDICAL PURPOSES**

(75) Inventor: **Ivano Lucchetti**, Rivolta D'Adda (IT)

(73) Assignee: **Blufarm Group S.p.A.**, Vignate (IT)

(**) Term: **14 Years**

(21) Appl. No.: **29/290,019**

(22) Filed: **Oct. 12, 2007**

(30) **Foreign Application Priority Data**

Jul. 27, 2007 (EM) 000765342

(51) **LOC (8) Cl.** **24-01**

(52) **U.S. Cl.** **D24/190; D24/189**

(58) **Field of Classification Search** D24/188-192,
D24/169; D2/610; 602/4-21, 23, 27, 60,
602/64, 65; 128/871, 878, 882, DIG. 20;
606/201-203; 601/27-32, 149-152

See application file for complete search history.

(56) **References Cited**

U.S. PATENT DOCUMENTS

D434,145 S * 11/2000 Sugahara D24/125
D435,910 S * 1/2001 Davis et al. D24/206
D444,554 S * 7/2001 O'Hara D24/125
D452,325 S * 12/2001 Henderson D24/190

6,350,339 B1 * 2/2002 Sessions 156/250
D457,241 S * 5/2002 Dunshee et al. D24/145
6,849,057 B2 * 2/2005 Satou et al. 602/75
D535,394 S * 1/2007 Johnson et al. D24/139
D554,832 S * 11/2007 Wawer et al. D2/914
D559,985 S * 1/2008 Dzierlatka D24/158

* cited by examiner

Primary Examiner—Robert M. Spear

Assistant Examiner—Susan E Krakower

(74) *Attorney, Agent, or Firm*—Modiano & Associati; Albert Josif; Daniel J. O'Byrne

(57) **CLAIM**

The ornamental design for a sticking plaster for medical purposes, as shown and described.

DESCRIPTION

FIG. 1 is a perspective view of a sticking plaster for medical purposes, showing my new design;

FIG. 2 is a plan view thereof, taken from above;

FIG. 3 is a plan view thereof, taken from below;

FIG. 4 is a front elevation view thereof, the rear elevation view being a mirror image; and,

FIG. 5 is a right side elevation view thereof, the left side elevation view being a mirror image.

1 Claim, 2 Drawing Sheets

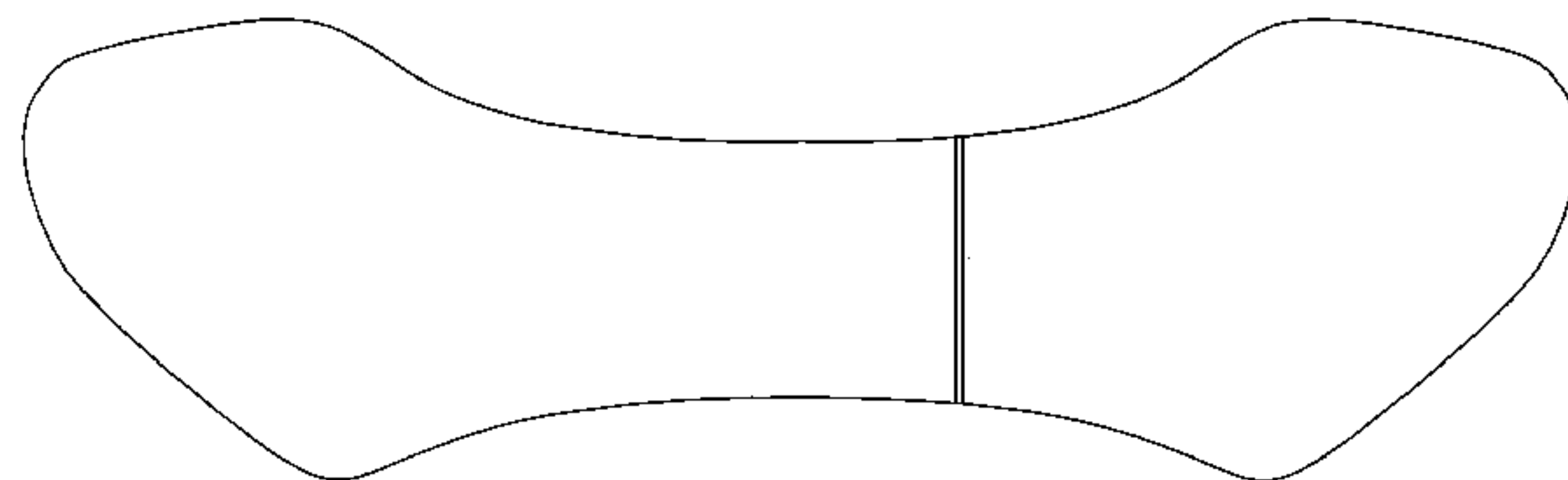
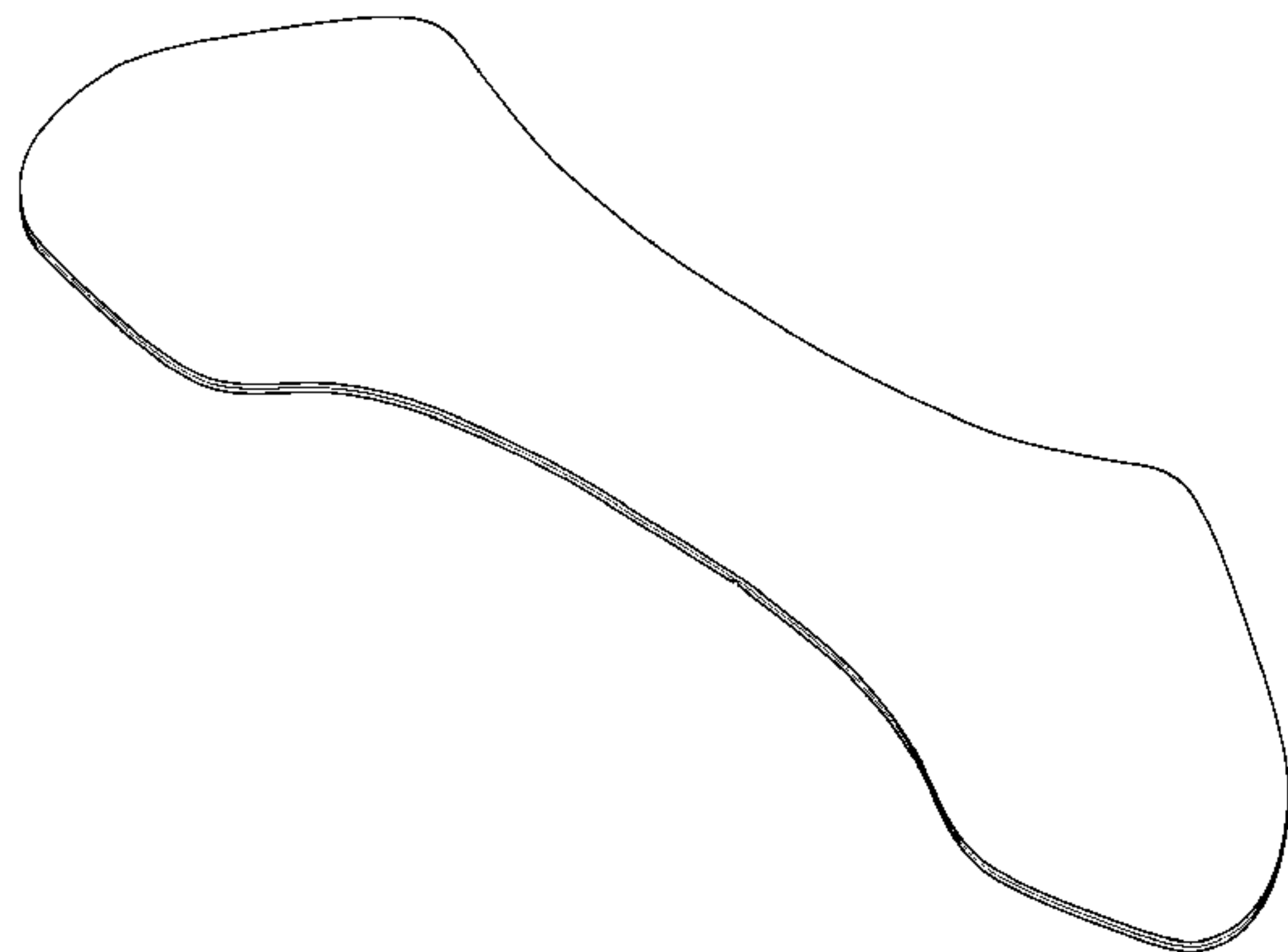




Fig. 1

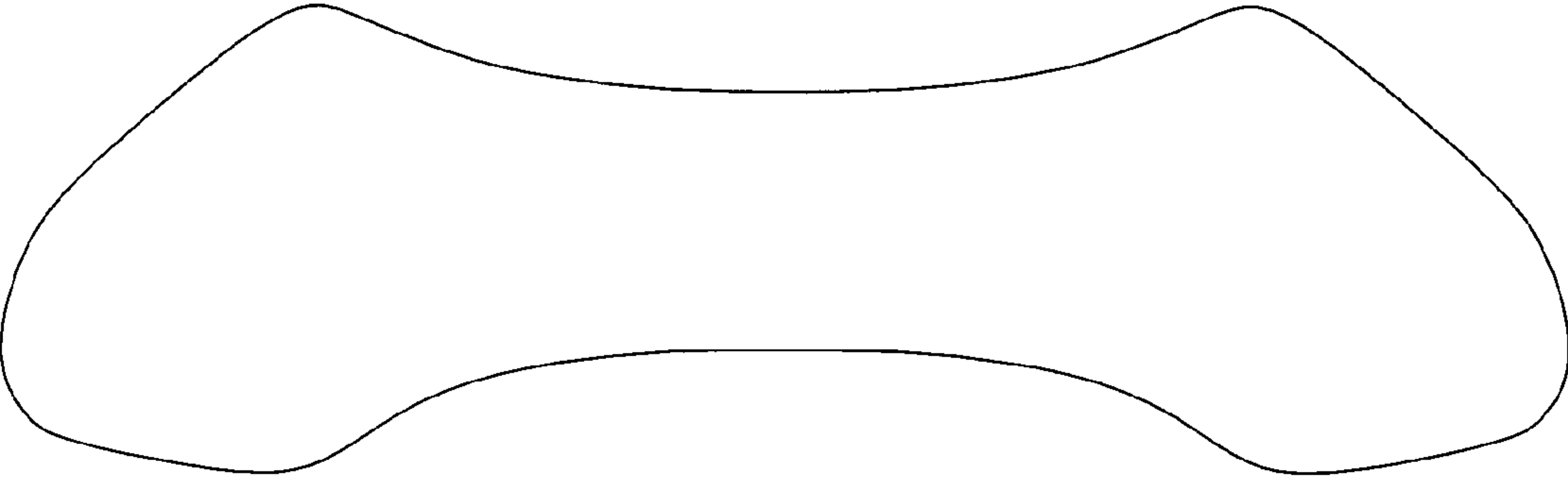


Fig. 2

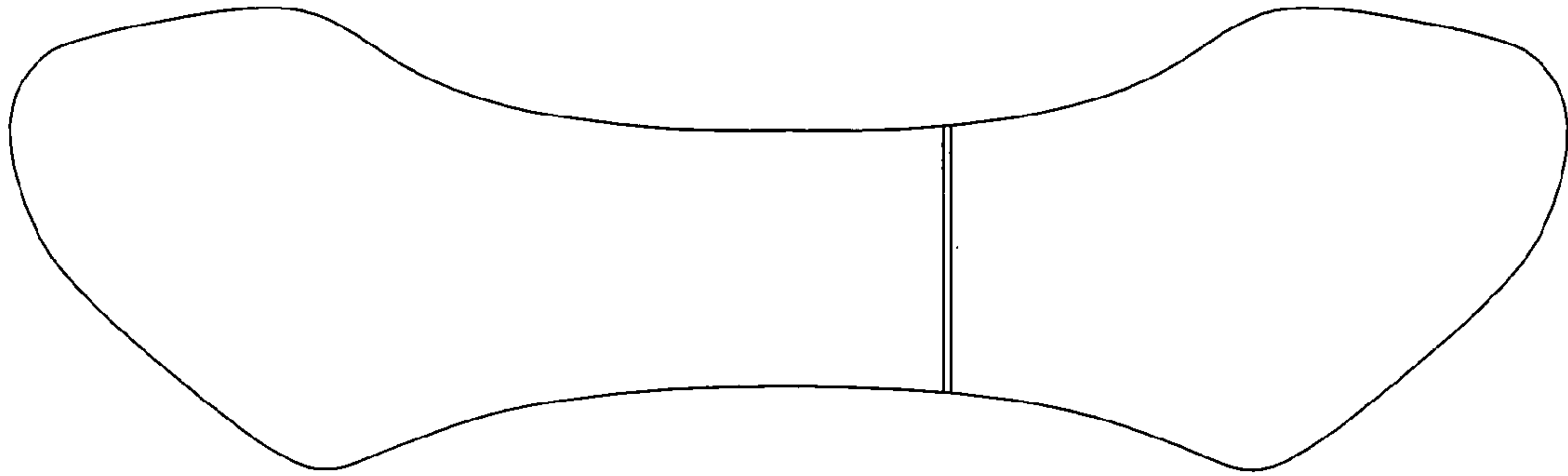


Fig. 3

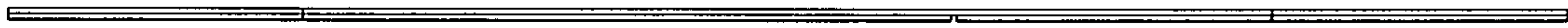


Fig. 4



Fig. 5