



US00D574083S

(12) **United States Design Patent**  
**Tassakos et al.**

(10) **Patent No.:** **US D574,083 S**  
(45) **Date of Patent:** **\*\* Jul. 29, 2008**

(54) **SUPPORT STAND FOR AN OPTICAL MEASURING INSTRUMENT**

(75) Inventors: **Charalambos Tassakos**, Stuttgart (DE);  
**Andreas Demopoulos**, Leighton Buzzard (GB)

(73) Assignee: **Inos Automationssoftware GmbH**, Stuttgart (DE)

(\*\*) Term: **14 Years**

(21) Appl. No.: **29/261,401**

(22) Filed: **Jun. 14, 2006**

**Related U.S. Application Data**

(63) Continuation-in-part of application No. 29/239,403, filed on Sep. 30, 2005, now abandoned.

(51) **LOC (8) Cl.** ..... **24-01**

(52) **U.S. Cl.** ..... **D24/172**

(58) **Field of Classification Search** ..... D24/172;  
248/177.1, 183.1, 187.1; D16/242; 351/245;  
D10/70, 74

See application file for complete search history.

(56) **References Cited**

**U.S. PATENT DOCUMENTS**

D167,455	S	*	8/1952	Gerhardt	.....	D24/172
2,798,408	A	*	7/1957	Ellis et al.	.....	351/201
D235,274	S	*	6/1975	Armbruster	.....	D24/172
D292,526	S	*	10/1987	Nakayama	.....	D24/172
D297,663	S	*	9/1988	Bevilacqua et al.	.....	D24/172
D375,907	S	*	11/1996	Ogawa	.....	D10/103
5,839,704	A	*	11/1998	Appleman	.....	248/178.1
D512,925	S	*	12/2005	Dipasquale et al.	.....	D10/70

\* cited by examiner

*Primary Examiner*—Louis S. Zarfes  
*Assistant Examiner*—Anhdao Doan

(74) *Attorney, Agent, or Firm*—Paul Vincent

(57) **CLAIM**

The ornamental design for the support stand for an optical measuring instrument, as shown.

**DESCRIPTION**

FIG. 1 shows a side view of the support stand in accordance with the invention;

FIG. 2 shows a front view of the support stand in accordance with FIG. 1;

FIG. 3 shows a side view of the support stand in accordance with FIGS. 1 and 2;

FIG. 4 shows a rear view of the support stand in accordance with FIGS. 1 to 3;

FIG. 5 shows a lower side view of an upper portion of the support stand in accordance with FIGS. 1 to 4;

FIG. 6 shows an upper rear view of the support stand in accordance with FIGS. 1 to 5;

FIG. 7 shows the view of FIG. 6 with the dashed line portion removed from the solid line portion;

FIG. 8 shows a side view of the support stand in accordance with the invention;

FIG. 9 shows a front view of the support stand in accordance with FIG. 8;

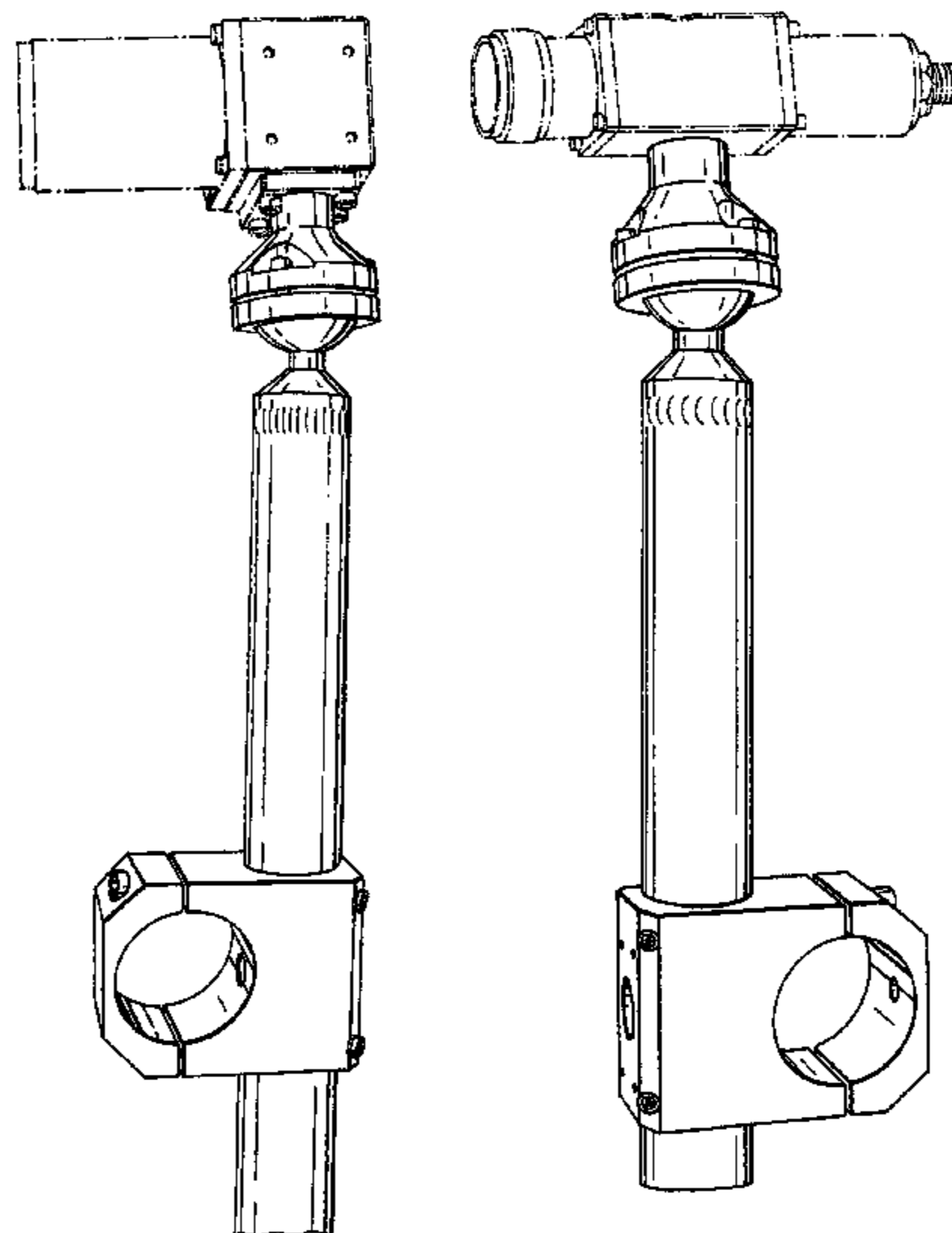
FIG. 10 shows a side view of the support stand in accordance with FIGS. 8 and 9;

FIG. 11 shows a rear view of the support stand in accordance with FIGS. 8 to 10; and,

FIG. 12 shows a lower rear view of an upper portion of the support stand in accordance with FIGS. 8 to 11.

The dashed-lines in the drawings are for illustrative purposes only and form no part of the claimed design.

**1 Claim, 12 Drawing Sheets**



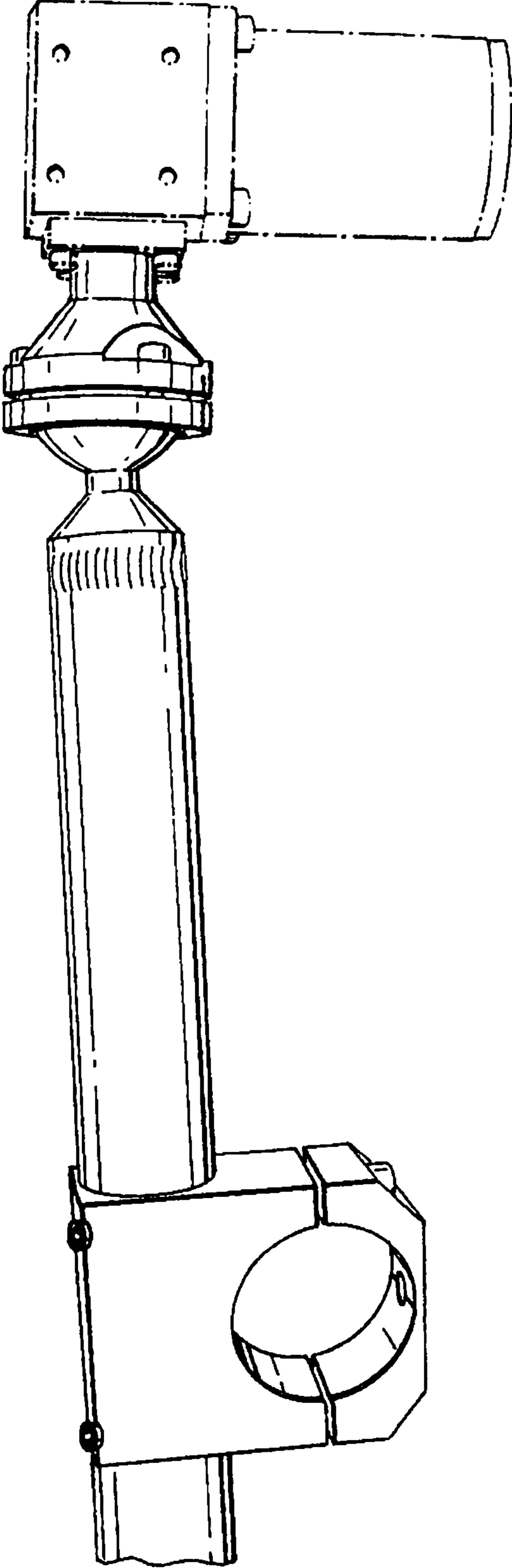
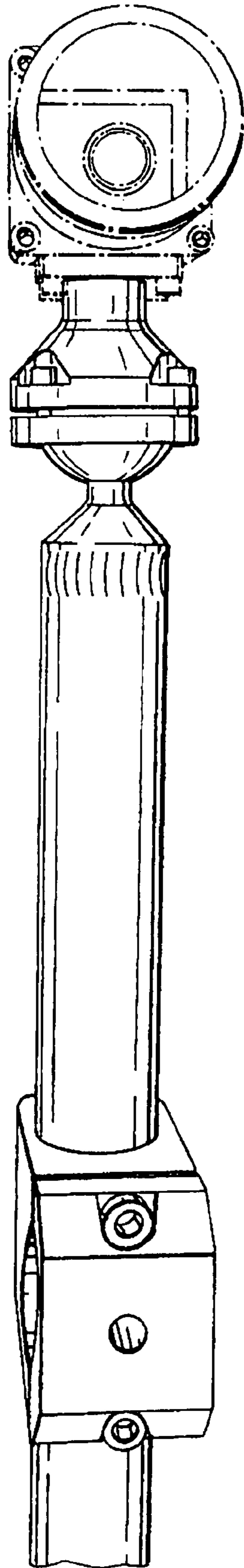
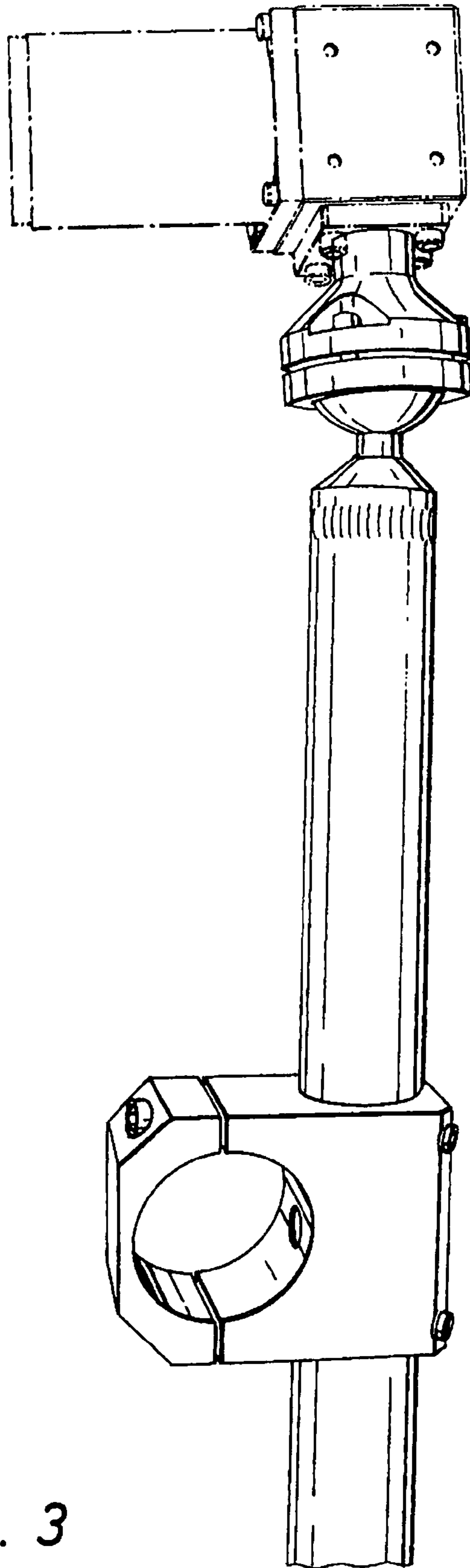


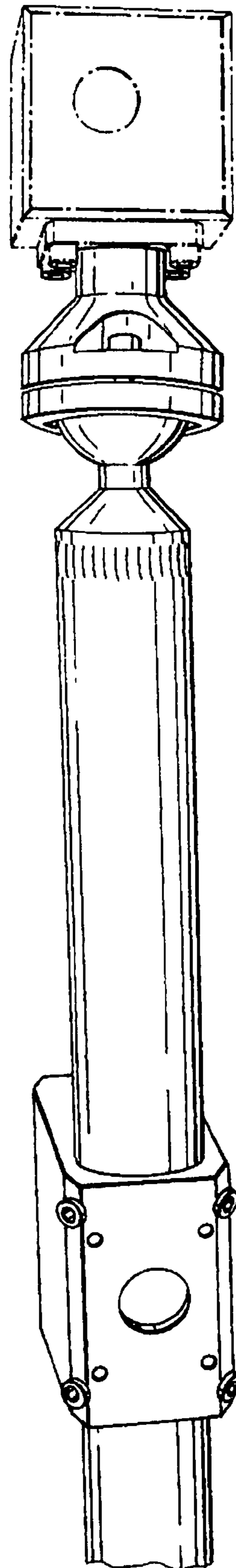
Fig. 1



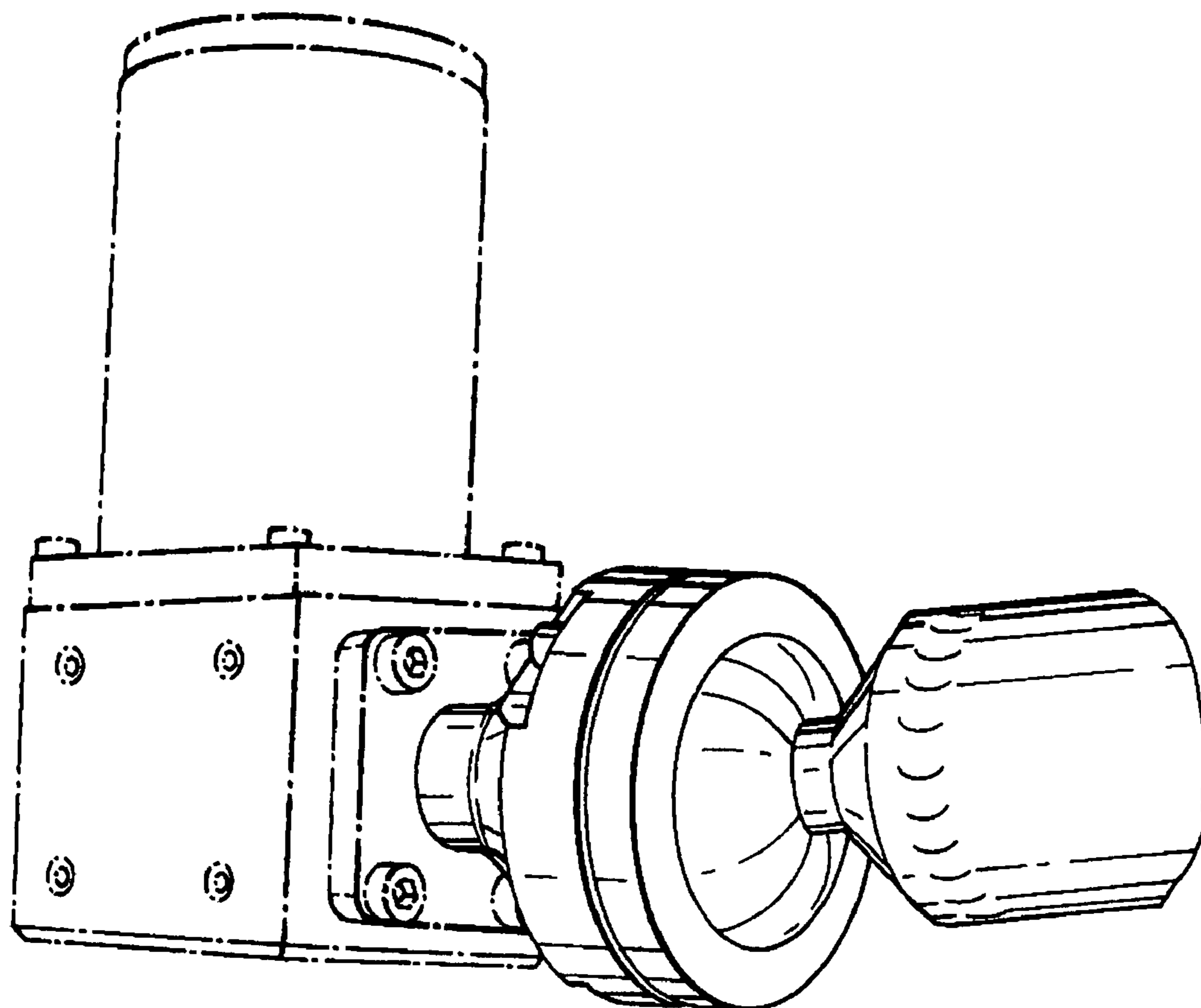
*Fig. 2*



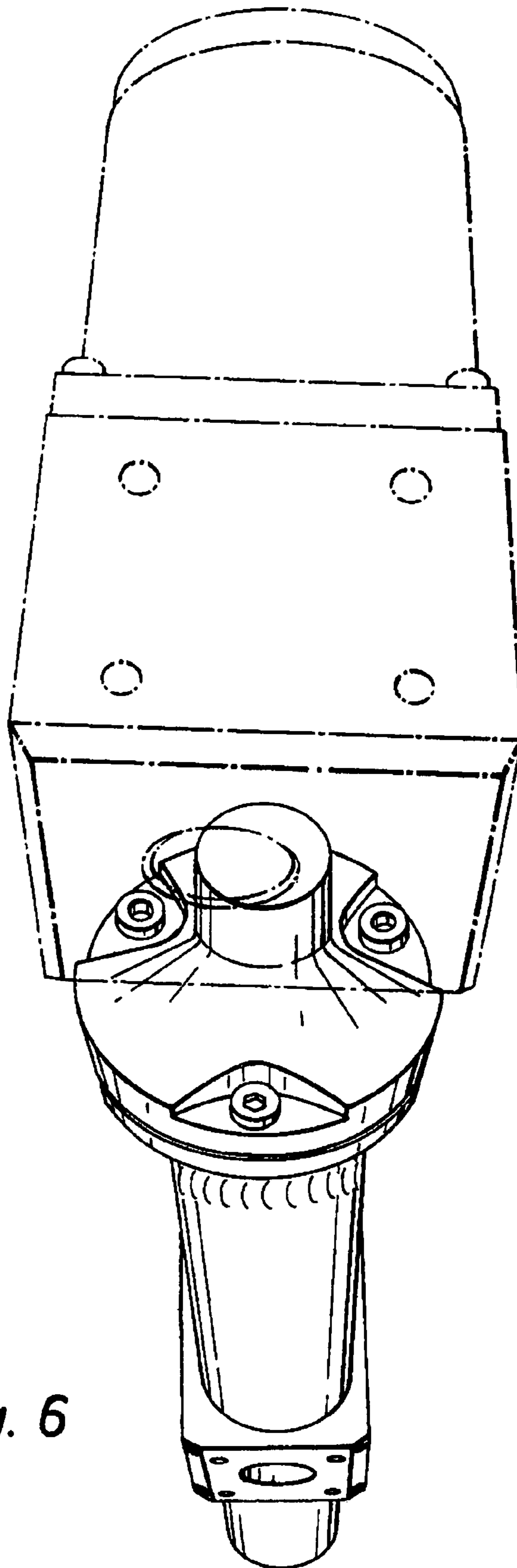
*Fig. 3*



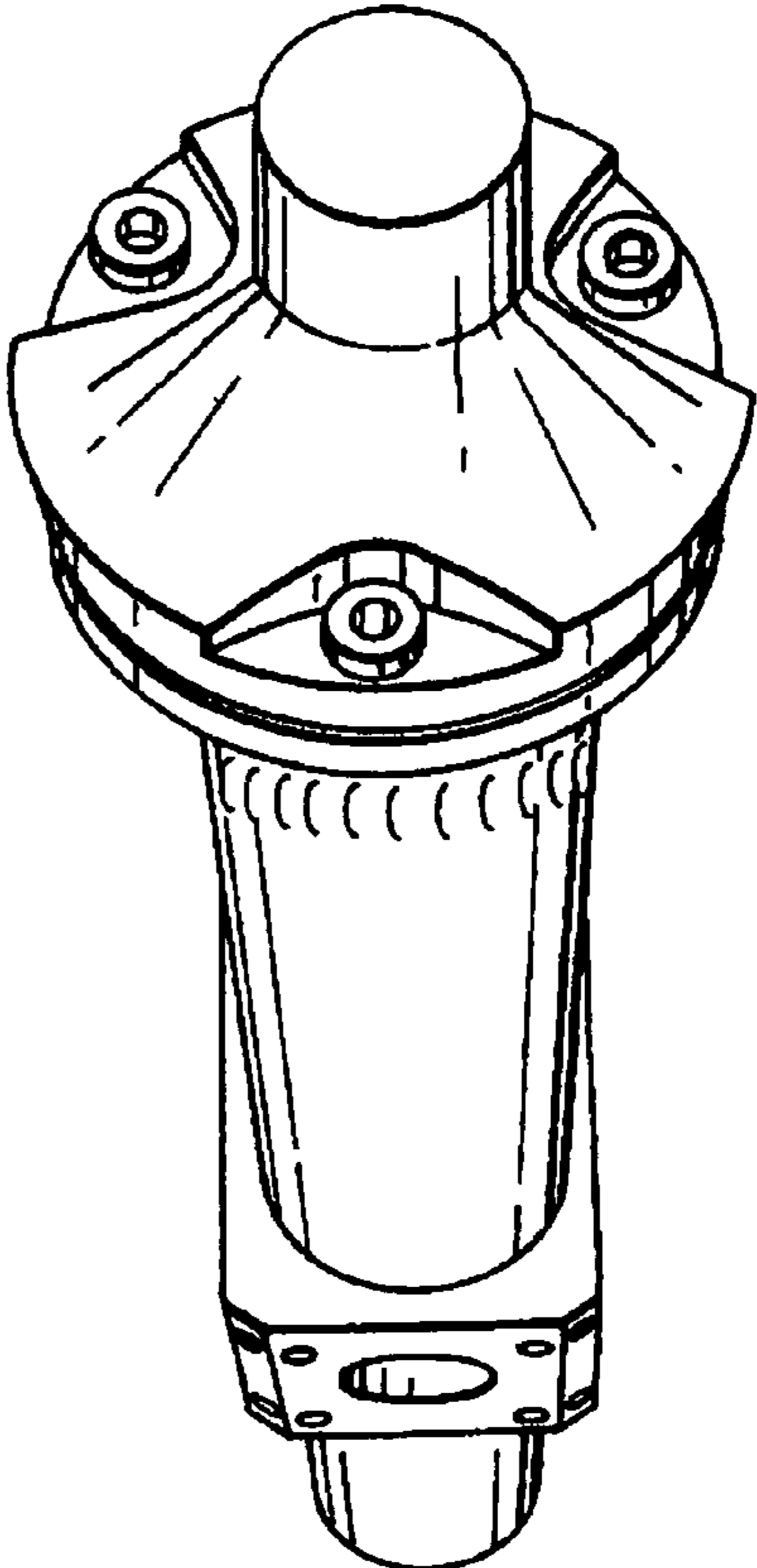
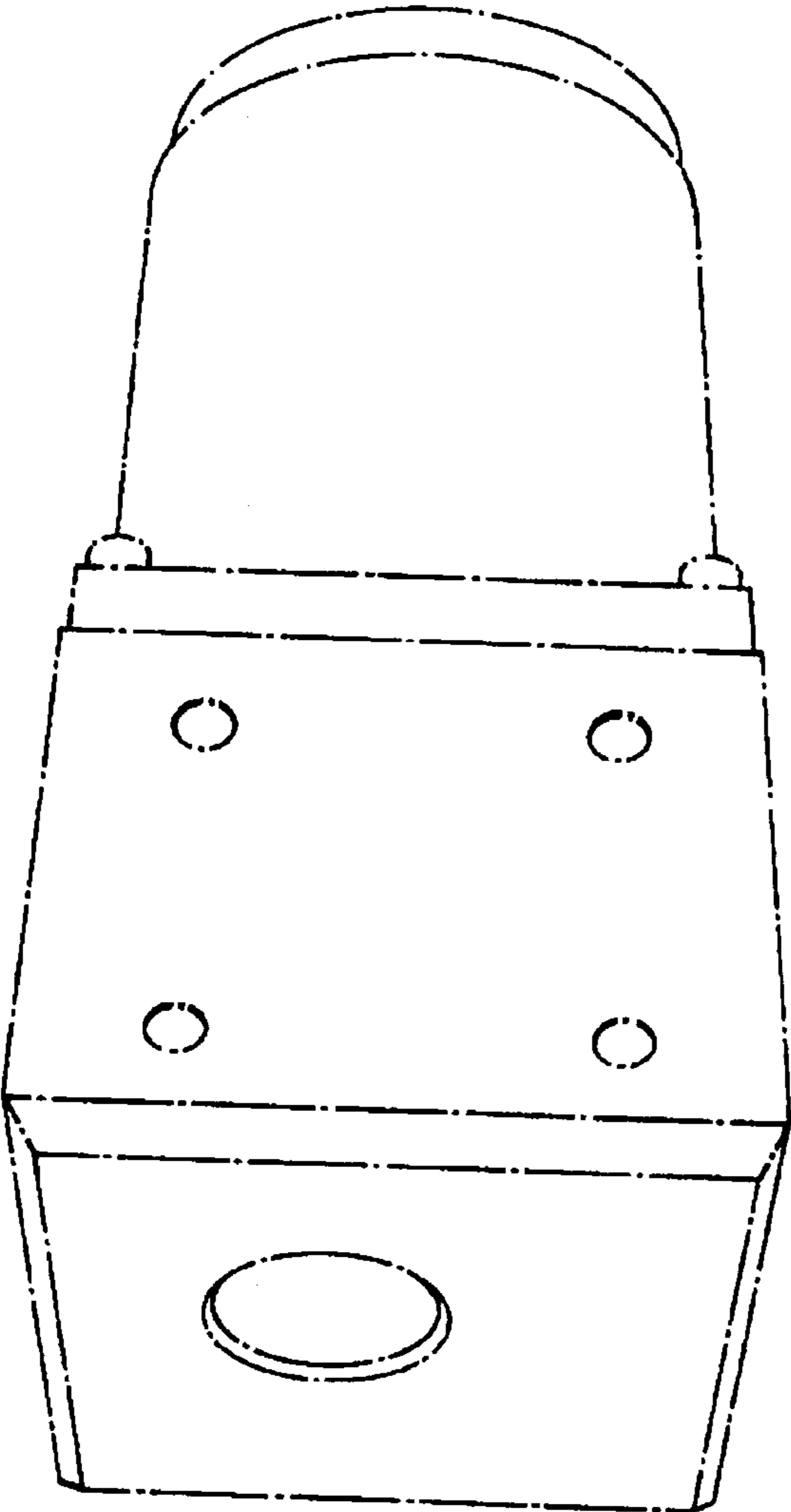
*Fig. 4*



*Fig. 5*

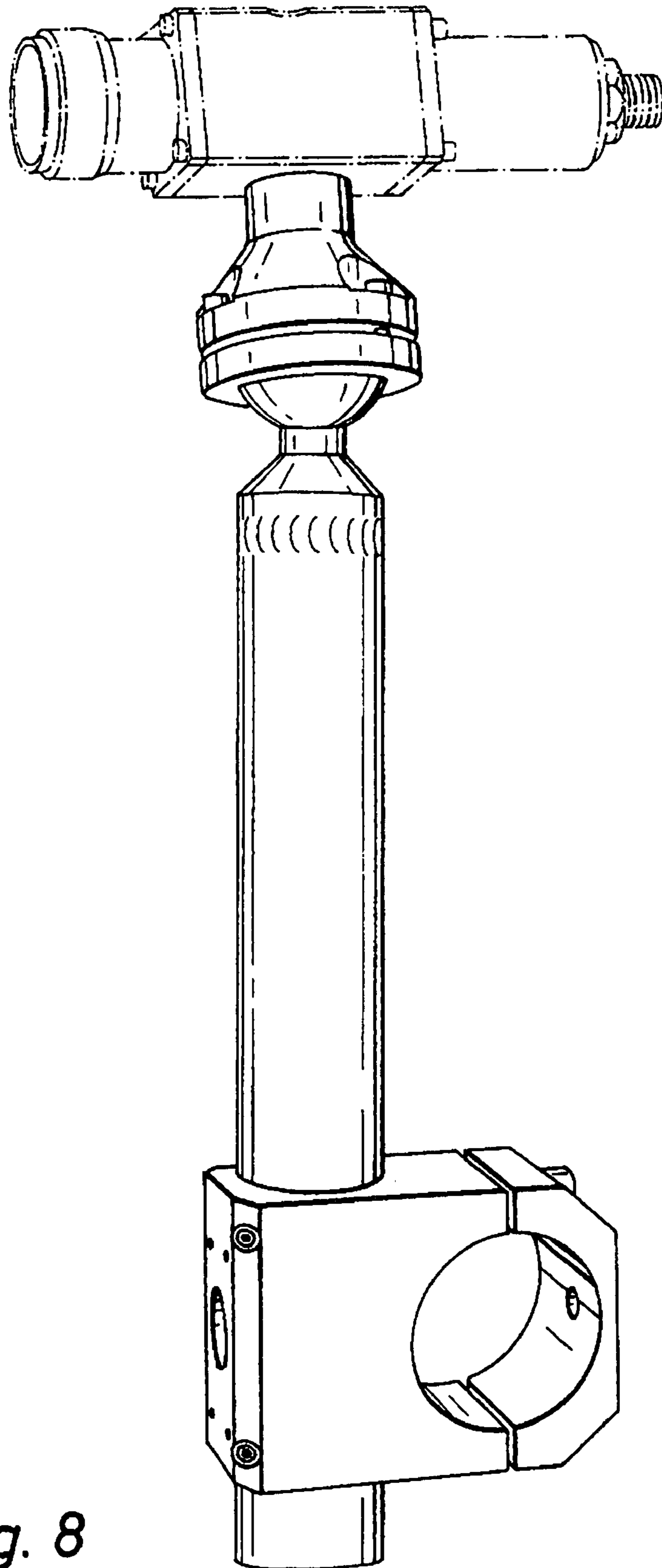


*Fig. 6*

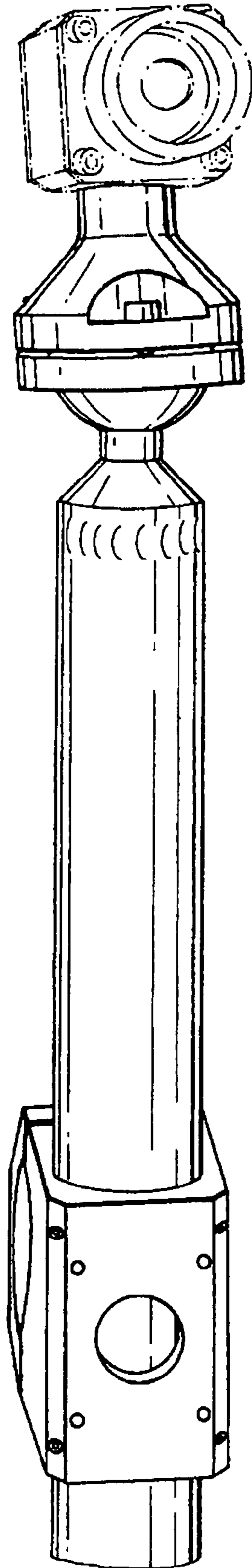


*Fig. 7*

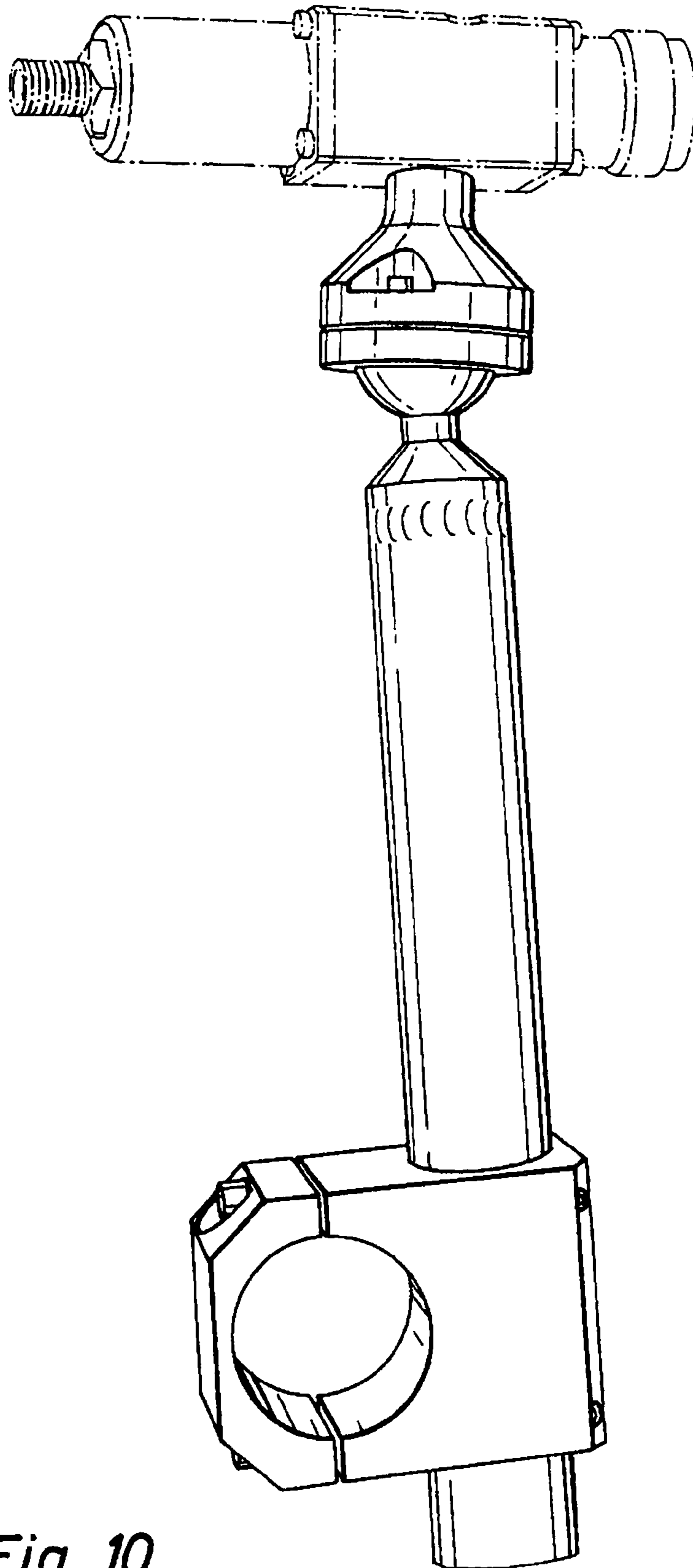




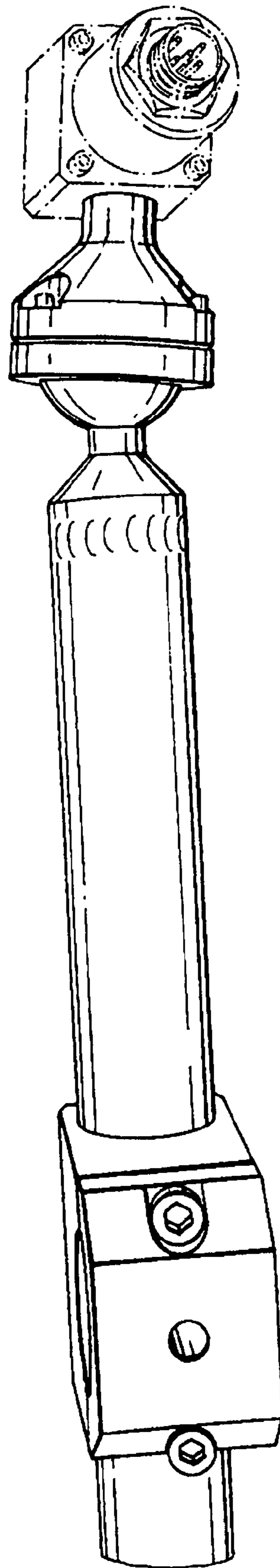
*Fig. 8*



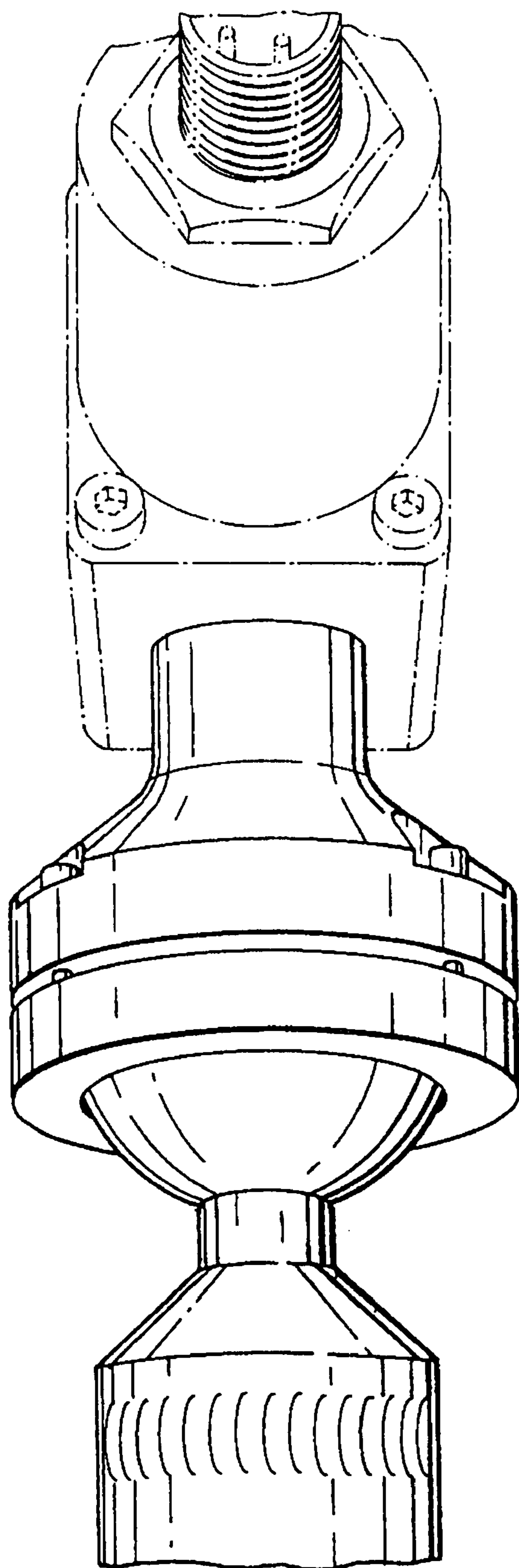
*Fig. 9*



*Fig. 10*



*Fig. 11*



*Fig. 12*