



US00D574082S

(12) **United States Design Patent**
Orthner

(10) **Patent No.:** **US D574,082 S**
(45) **Date of Patent:** **** Jul. 29, 2008**

(54) **MEDICAL IMPLANT**

(75) Inventor: **Ernst Orthner, Wels (AT)**

(73) Assignee: **Wright Medical Technology, Inc.,**
Arlington, TN (US)

(**) Term: **14 Years**

(21) Appl. No.: **29/270,532**

(22) Filed: **Dec. 27, 2006**

(30) **Foreign Application Priority Data**

Jun. 6, 2006 (EM) 000550959-0003

(51) **LOC (8) Cl.** **24-03**

(52) **U.S. Cl.** **D24/155; D8/387**

(58) **Field of Classification Search** D24/155,
D24/156; 606/61, 72, 74; 623/17.16, 17.17,
623/11.1; D8/387; 433/173

See application file for complete search history.

(56) **References Cited**

U.S. PATENT DOCUMENTS

4,047,524	A *	9/1977	Hall	606/61
D282,580	S *	2/1986	Linkow et al.	D24/156
D336,683	S *	6/1993	Inoue et al.	D24/156
5,531,745	A *	7/1996	Ray	606/61
5,531,747	A *	7/1996	Ray	606/61
D449,692	S *	10/2001	Michelson	D24/155
D458,683	S *	6/2002	Bryant et al.	D24/155
D458,996	S *	6/2002	Bryant et al.	D24/155
D463,557	S *	9/2002	Bryant et al.	D24/155
D463,558	S *	9/2002	Bryant et al.	D24/155
D469,532	S *	1/2003	Bryant et al.	D24/155
D469,533	S *	1/2003	Bryant et al.	D24/155
D469,875	S *	2/2003	Bryant et al.	D24/155
D470,588	S *	2/2003	Bryant et al.	D24/155

6,547,790	B2 *	4/2003	Harkey et al.	606/61
D479,331	S *	9/2003	Pike et al.	D24/155
D480,141	S *	9/2003	Benirschke et al.	D24/155
6,652,525	B1 *	11/2003	Assaker et al.	606/61
D497,993	S *	11/2004	Dixon et al.	D24/155
D505,205	S *	5/2005	Freid	D24/155
6,916,320	B2 *	7/2005	Michelson	606/61
6,945,973	B2 *	9/2005	Bray	606/61
D520,637	S *	5/2006	Kay et al.	D24/155
7,060,067	B2 *	6/2006	Needham et al.	606/61
D536,453	S *	2/2007	Young et al.	D24/155
7,182,785	B2 *	2/2007	Elsalanty et al.	623/17.17
7,229,442	B2 *	6/2007	Schafer	606/61
7,270,665	B2 *	9/2007	Morrison et al.	606/61

* cited by examiner

Primary Examiner—Charles A Rademaker

(74) *Attorney, Agent, or Firm*—Cesari and McKenna, LLP

(57) **CLAIM**

The ornamental design for a medical implant, as shown and described.

DESCRIPTION

FIG. 1 a perspective view of a medical implant according to my new design;

FIG. 2 is a front elevational view thereof;

FIG. 3 is a rear elevational view thereof;

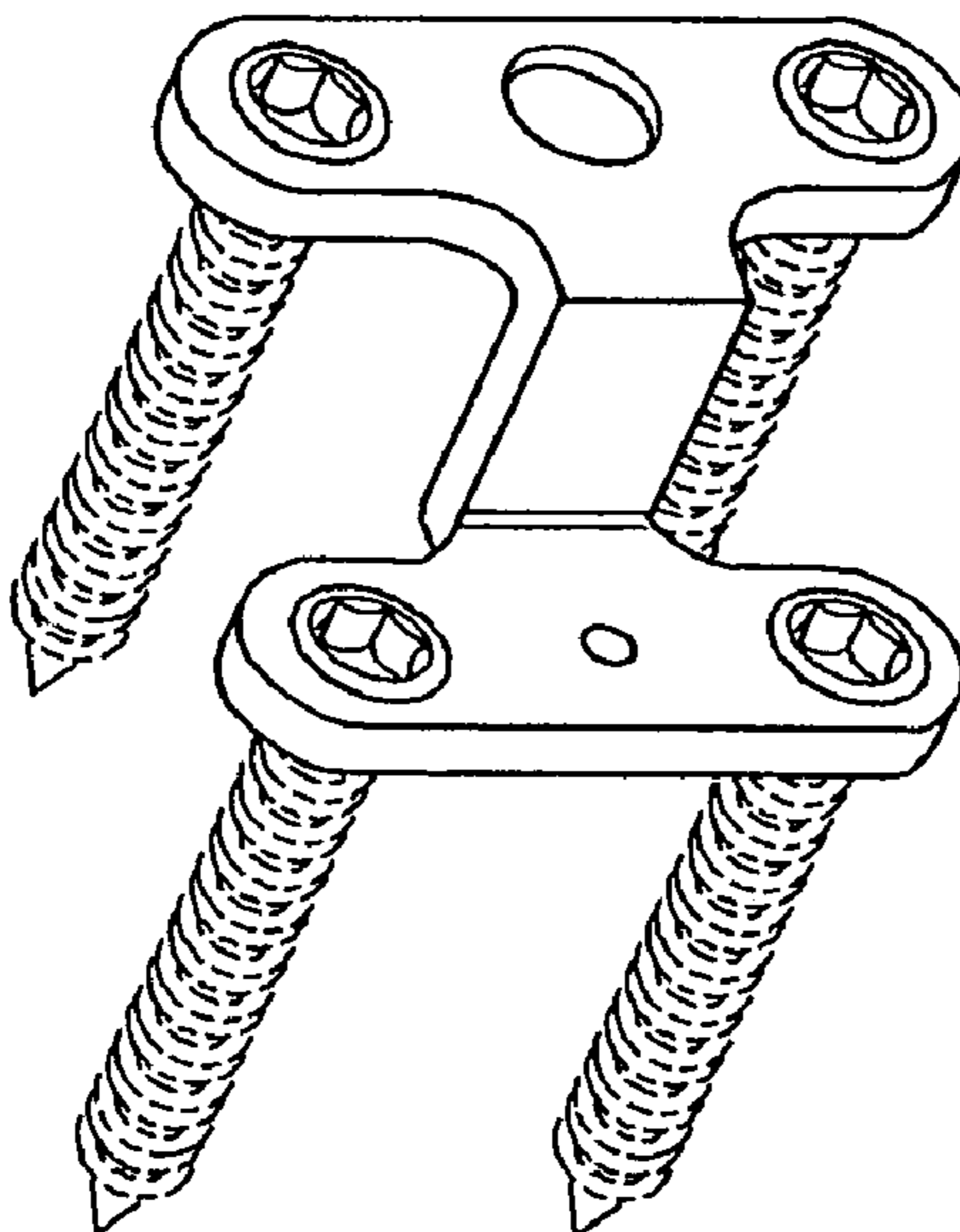
FIG. 4 is a right side elevational view thereof, the opposite side being a mirror image;

FIG. 5 is a top plan view thereof; and,

FIG. 6 is a bottom plan view thereof.

The broken lines shown in FIG. 1 form no part of the design and are for illustrative purposes only.

1 Claim, 2 Drawing Sheets



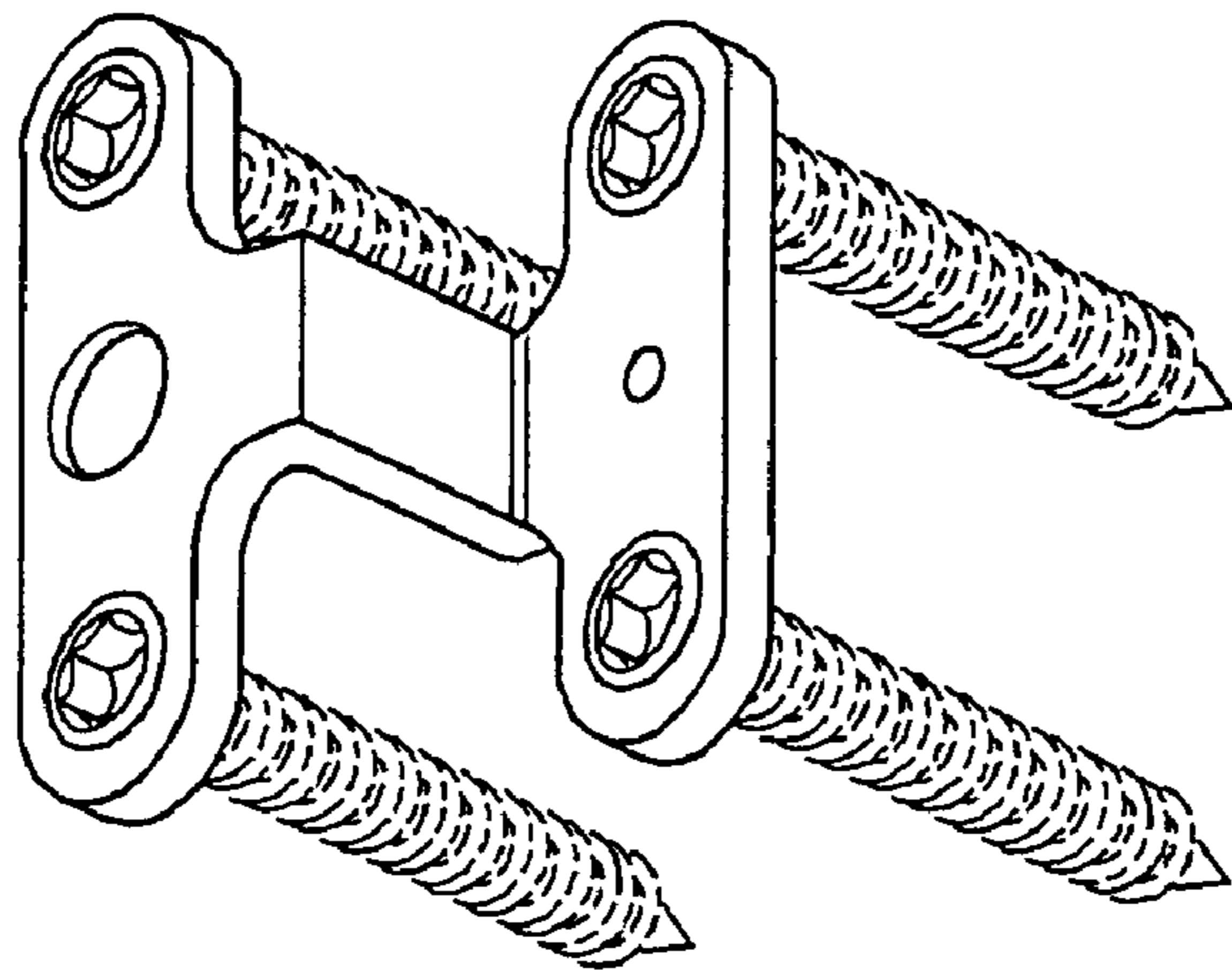


FIG. 1

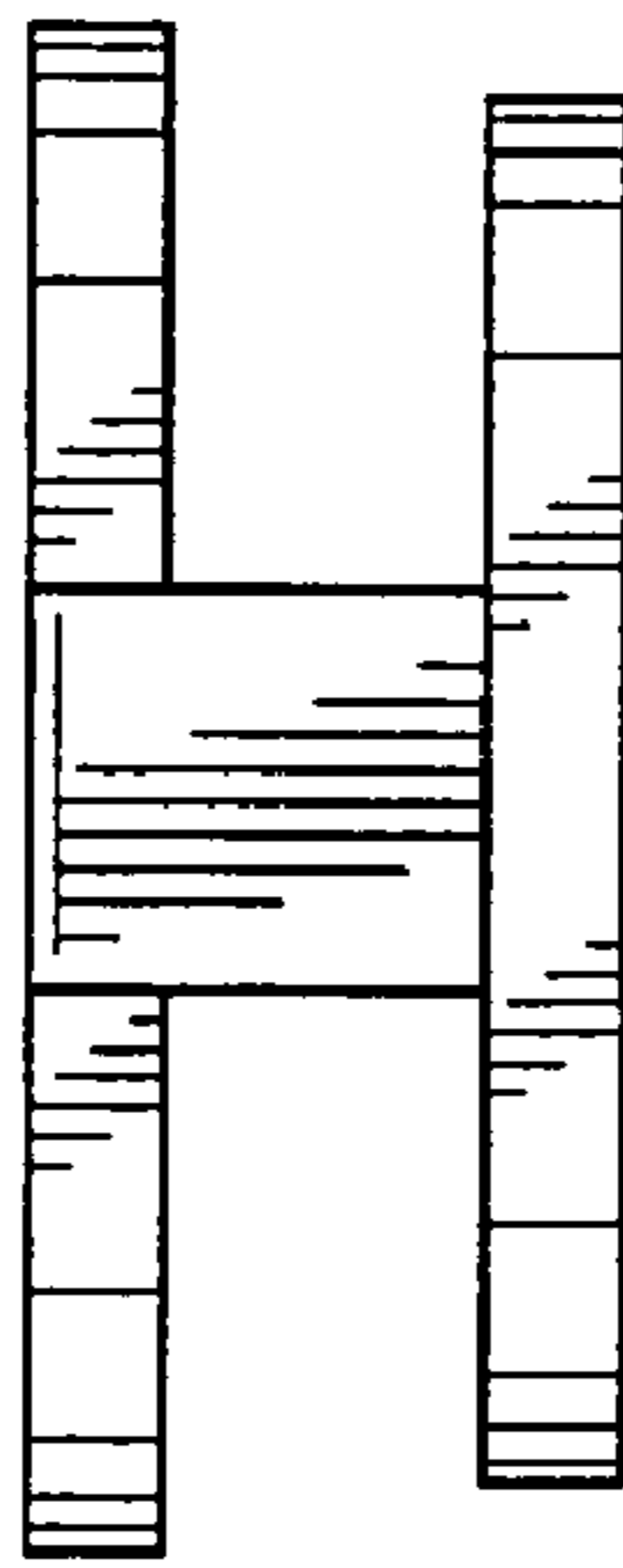


FIG. 2



FIG. 3

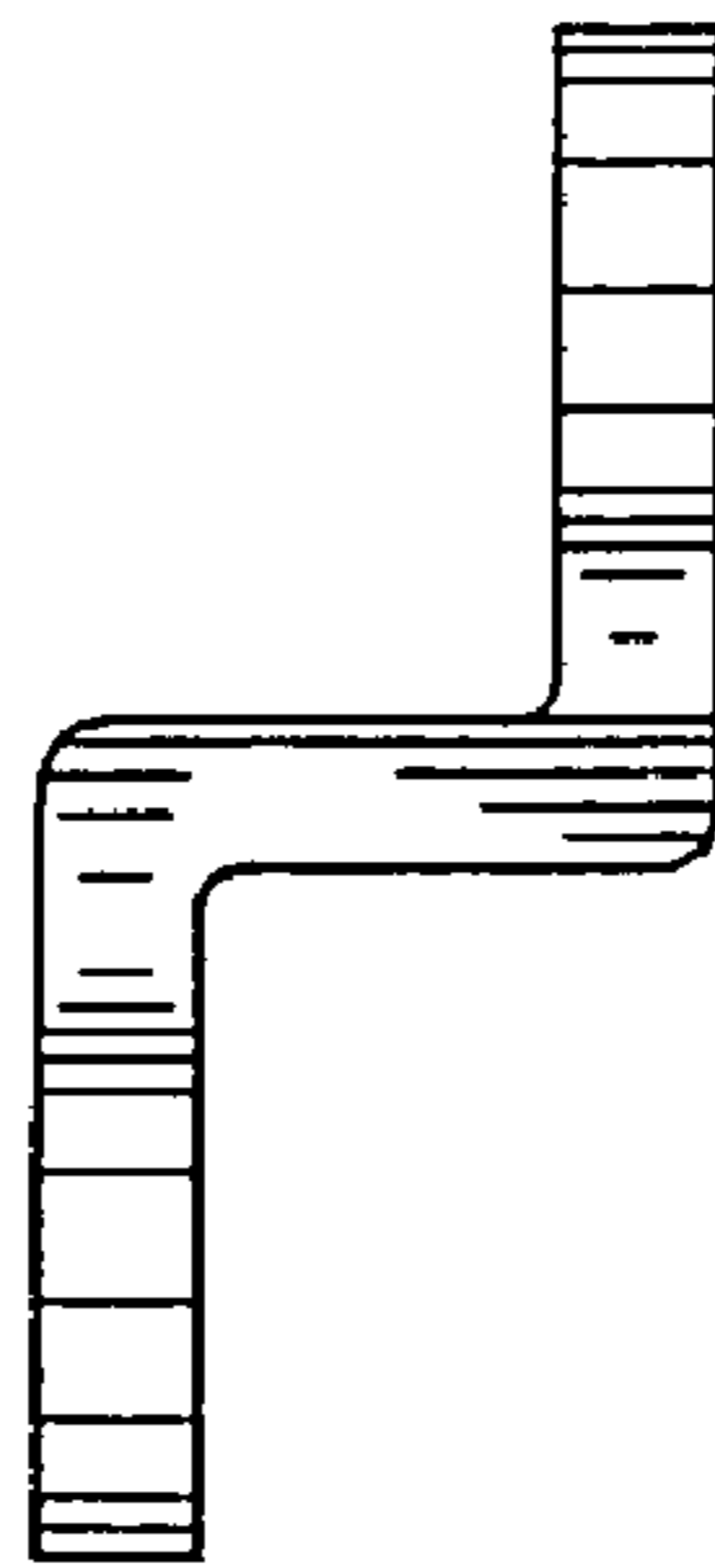


FIG. 4

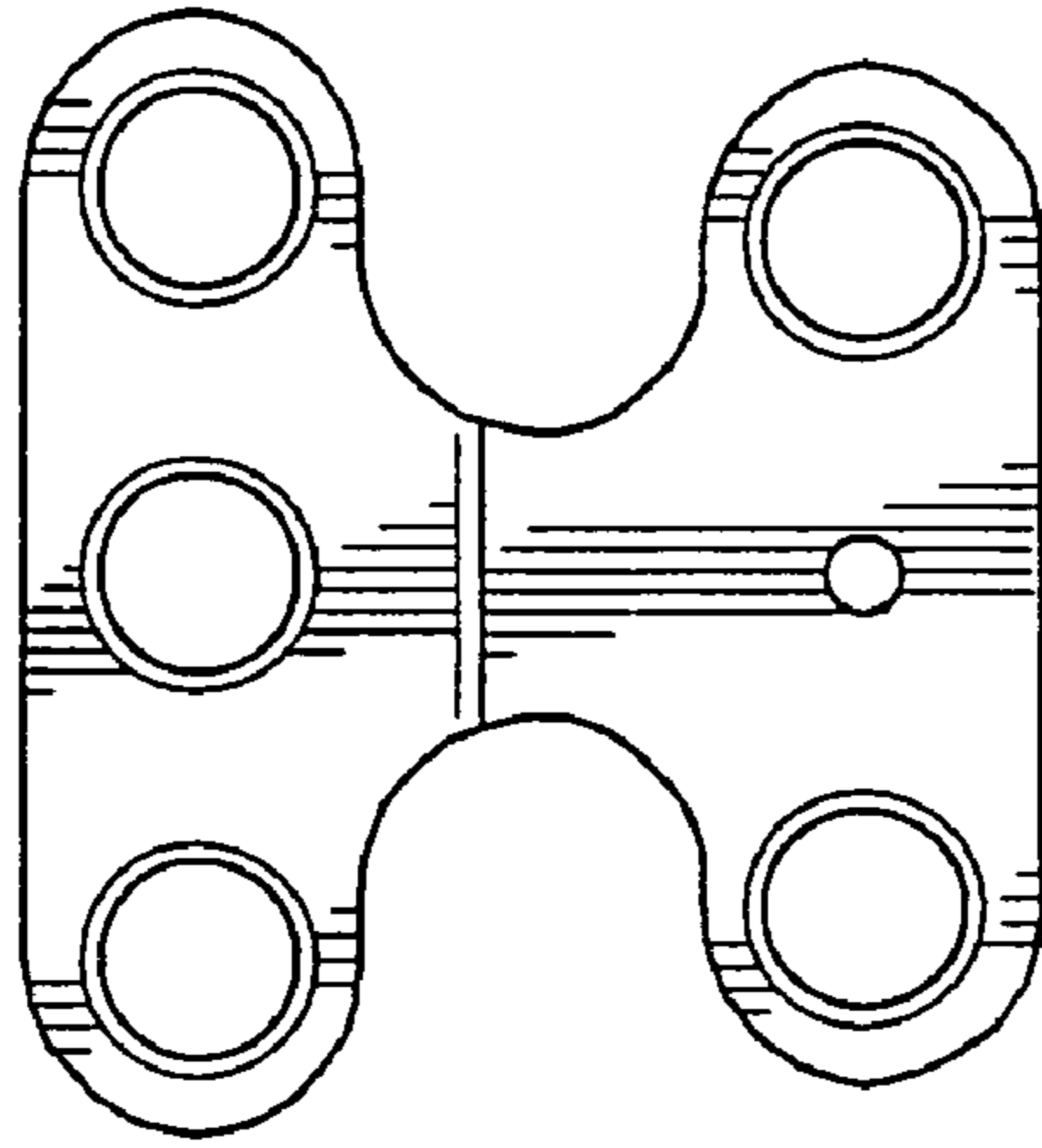


FIG. 5

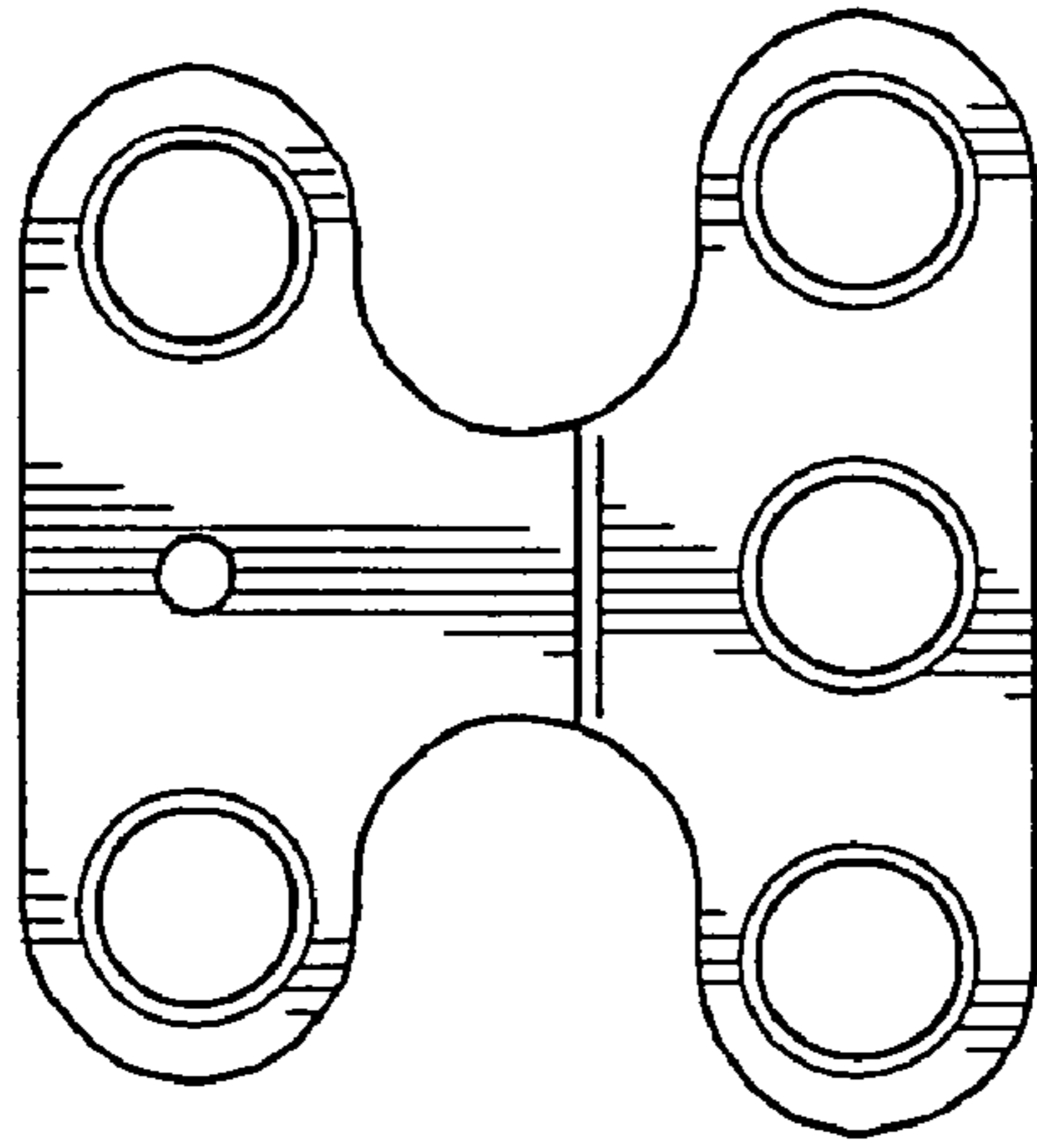


FIG. 6