



US00D574081S

(12) **United States Design Patent**  
**Berry Pitts et al.**

(10) **Patent No.:** **US D574,081 S**  
(45) **Date of Patent:** **\*\* Jul. 29, 2008**

(54) **DENTAL APPARATUS**

(75) Inventors: **Nigel Berry Pitts**, Dundee (GB);  
**Christopher Longbottom**, Dundee  
(GB); **Przemyslaw Los**, Dundee (GB)

(73) Assignee: **Idmos PLC**, Dundee (GB)

(\*\*) Term: **14 Years**

(21) Appl. No.: **29/241,240**

(22) Filed: **Oct. 26, 2005**

(30) **Foreign Application Priority Data**

Apr. 26, 2005 (EM) ..... 000336631-0001/0004

(51) **LOC (8) Cl.** ..... **23-03**

(52) **U.S. Cl.** ..... **D24/152**

(58) **Field of Classification Search** ..... D24/152,  
D24/153, 154, 133, 176; 433/3, 141, 114,  
433/118, 119, 321, 322, 121; 604/1  
See application file for complete search history.

(56) **References Cited**

**U.S. PATENT DOCUMENTS**

D110,936 S \* 8/1938 Wiseman ..... D24/154  
D121,506 S \* 7/1940 Davis ..... D24/154  
3,552,021 A \* 1/1971 Graceffo et al. .... 433/121  
5,007,831 A \* 4/1991 Bierbaum et al. .... 433/114  
D355,971 S \* 2/1995 Meller ..... D24/152  
D356,866 S \* 3/1995 Meller ..... D24/152  
D378,412 S \* 3/1997 Badoz et al. .... D24/152

5,674,068 A \* 10/1997 Eibofner ..... 433/114  
D389,912 S \* 1/1998 Emerson et al. .... D24/133  
D459,809 S \* 7/2002 Mangione ..... D24/152  
D463,556 S \* 9/2002 Bareth et al. .... D24/152  
D465,279 S \* 11/2002 Etter et al. .... D24/133  
D472,969 S \* 4/2003 Wilden ..... D24/133  
6,638,068 B2 \* 10/2003 Lingenhole et al. .... 433/114  
6,716,028 B2 \* 4/2004 Rahman et al. .... 433/119  
6,821,119 B2 \* 11/2004 Shortt et al. .... 433/118  
D499,486 S \* 12/2004 Kuhn et al. .... D24/152  
D504,949 S \* 5/2005 Kuhn et al. .... D24/152

\* cited by examiner

*Primary Examiner*—Charles A Rademaker

(74) *Attorney, Agent, or Firm*—Sughrue Mion, PLLC

(57) **CLAIM**

The ornamental design for a dental apparatus, as shown.

**DESCRIPTION**

FIG. 1 is a perspective view of the top, front and right side of a dental apparatus showing our new design;

FIG. 2 is a front elevational view thereof;

FIG. 3 is a rear elevational view thereof;

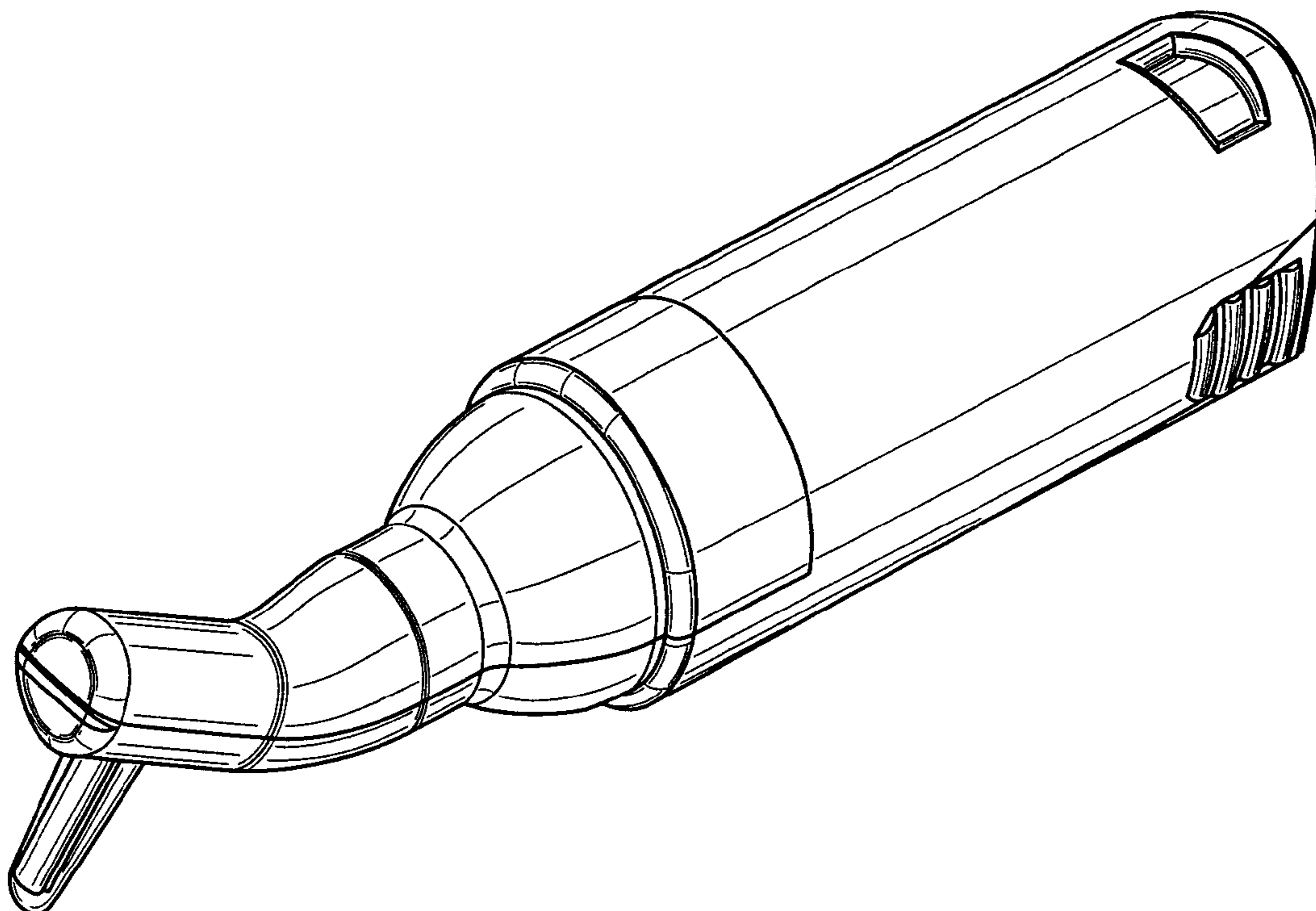
FIG. 4 is a right elevational view thereof;

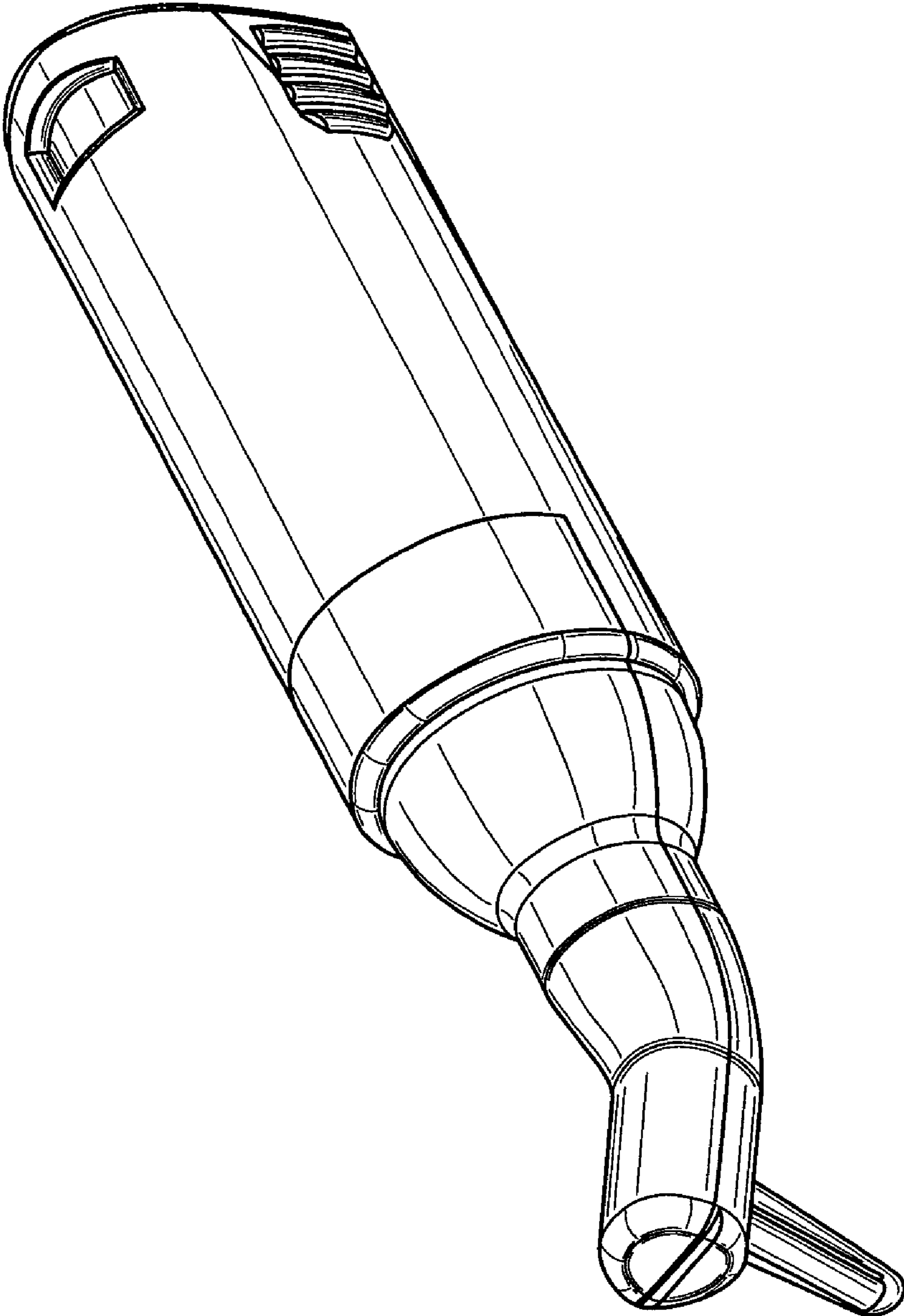
FIG. 5 is a left elevational view thereof;

FIG. 6 is a top plan view thereof; and,

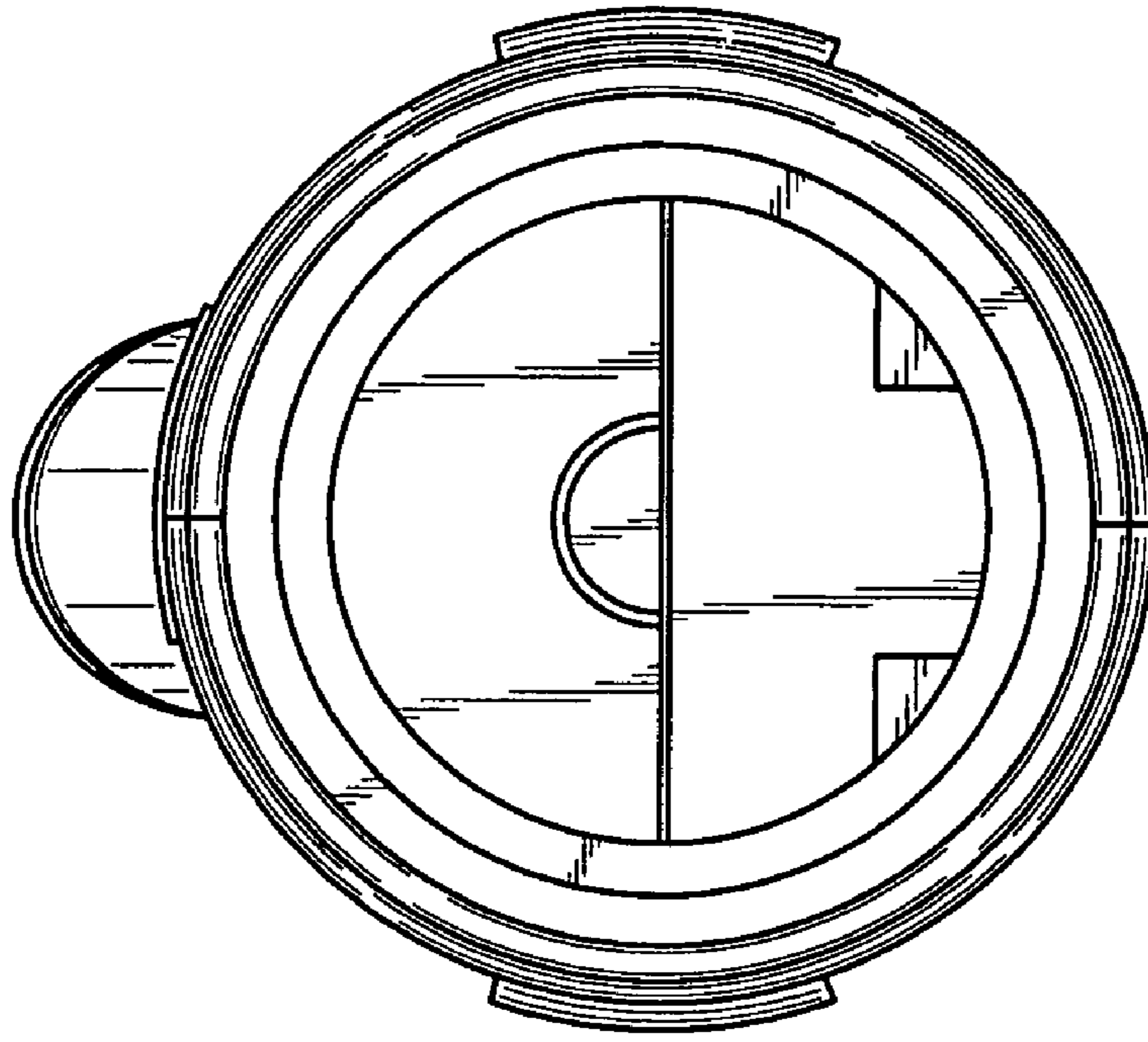
FIG. 7 is a bottom plan view thereof.

**1 Claim, 4 Drawing Sheets**

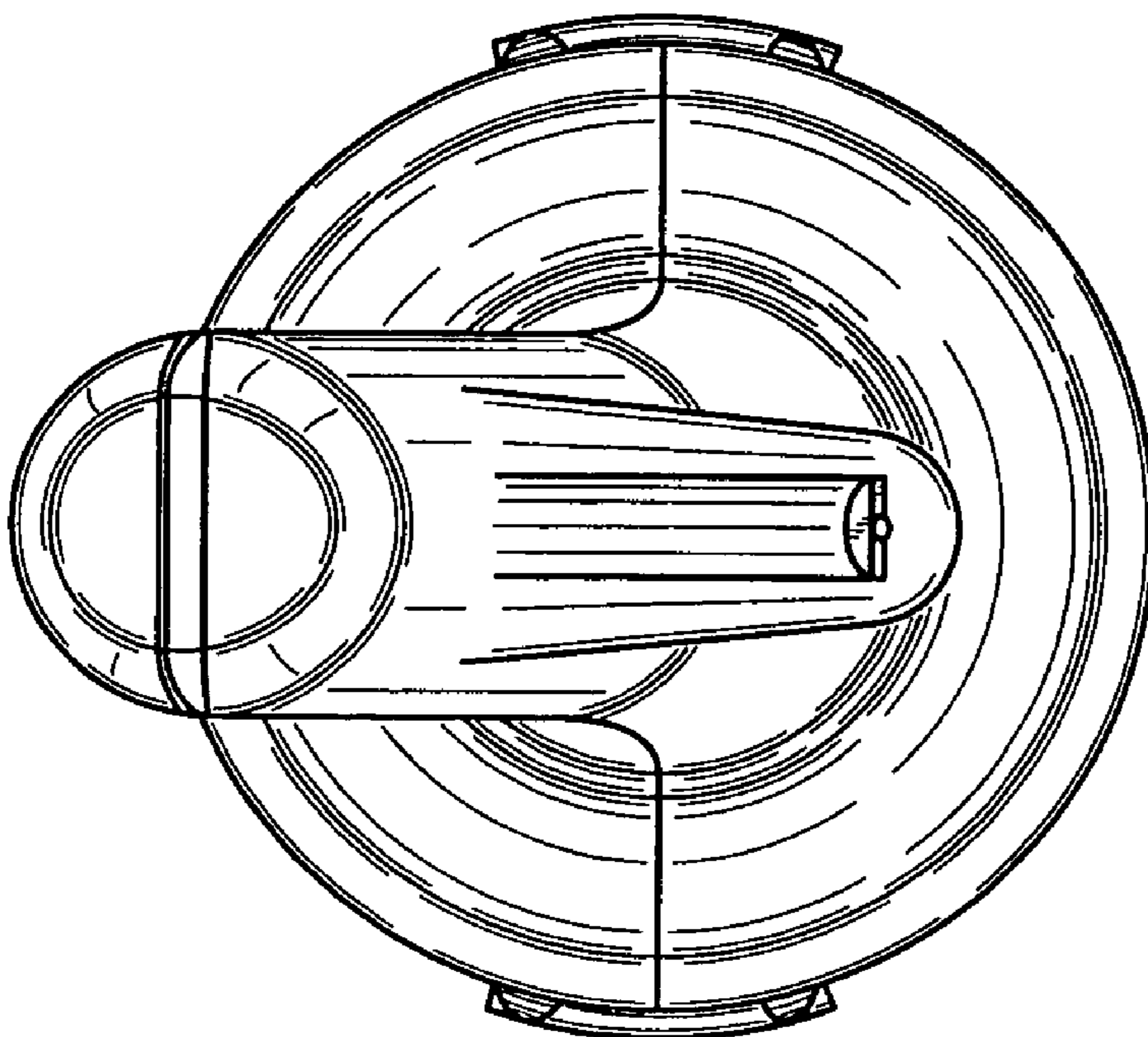




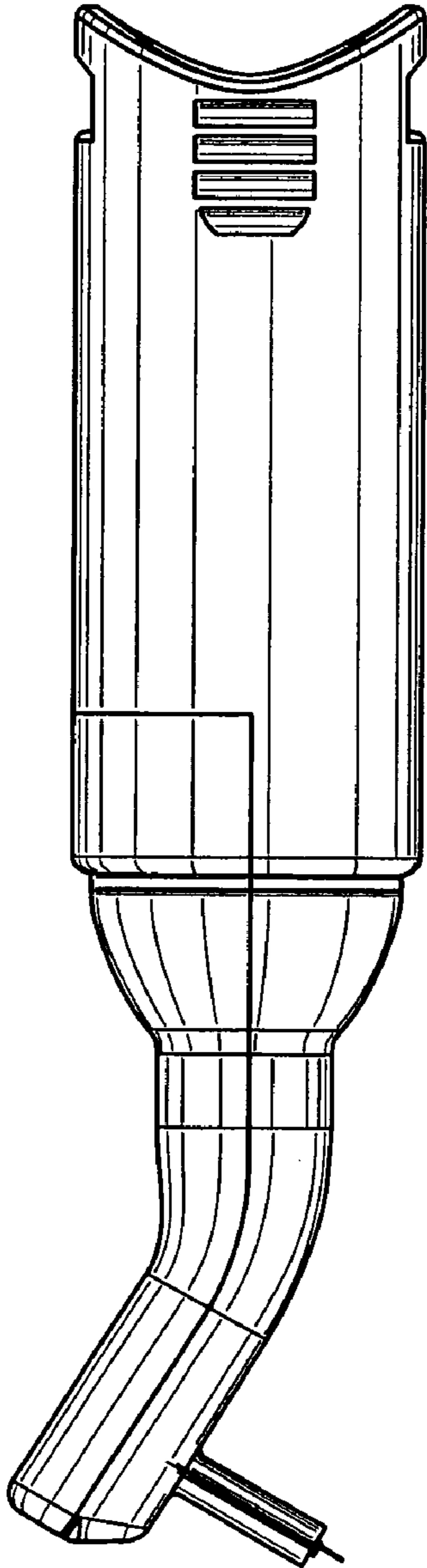
*Fig. 1*



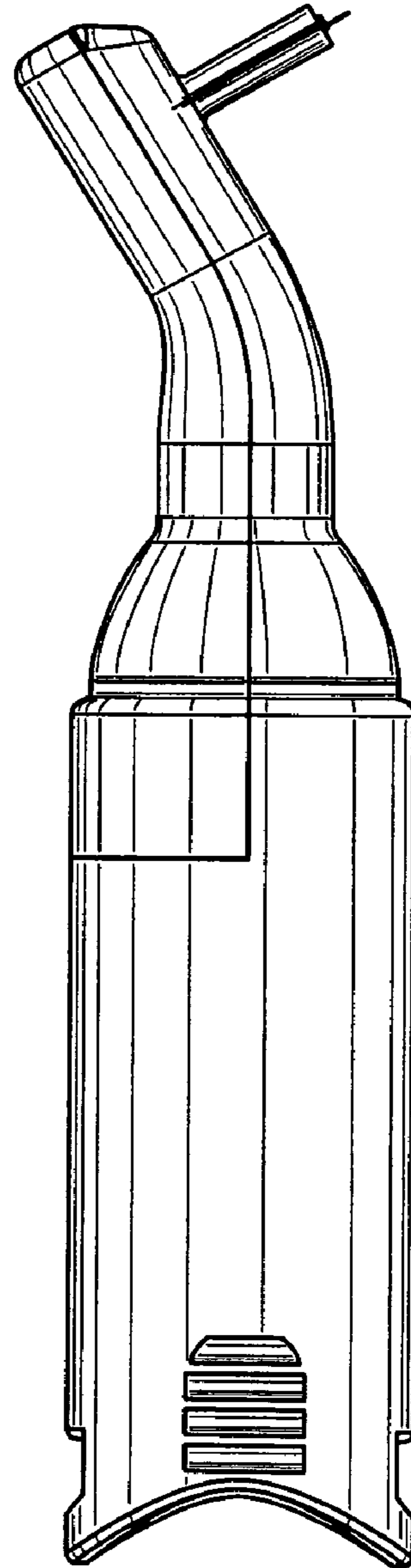
*Fig. 3*



*Fig. 2*

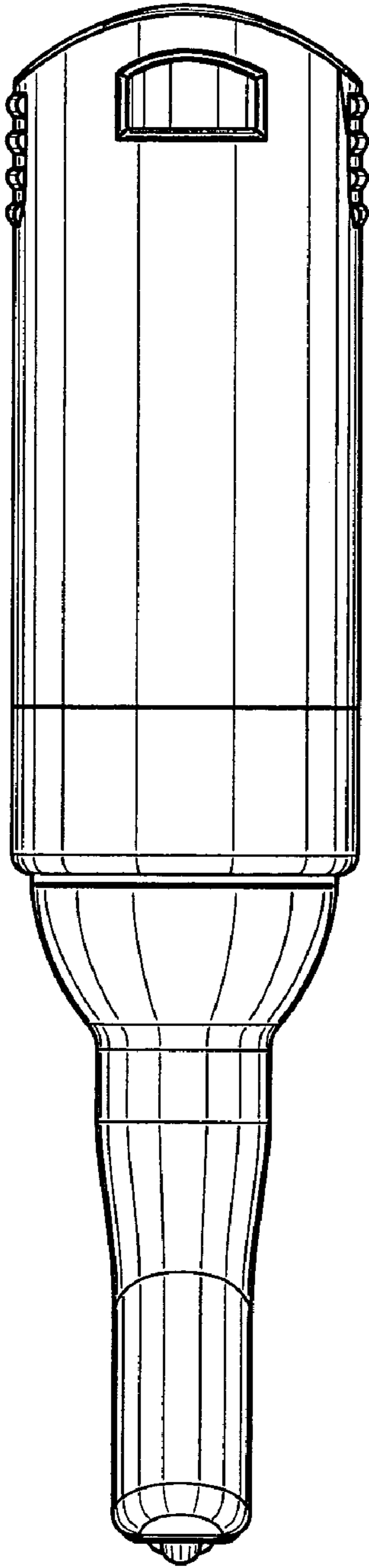


*Fig. 4*

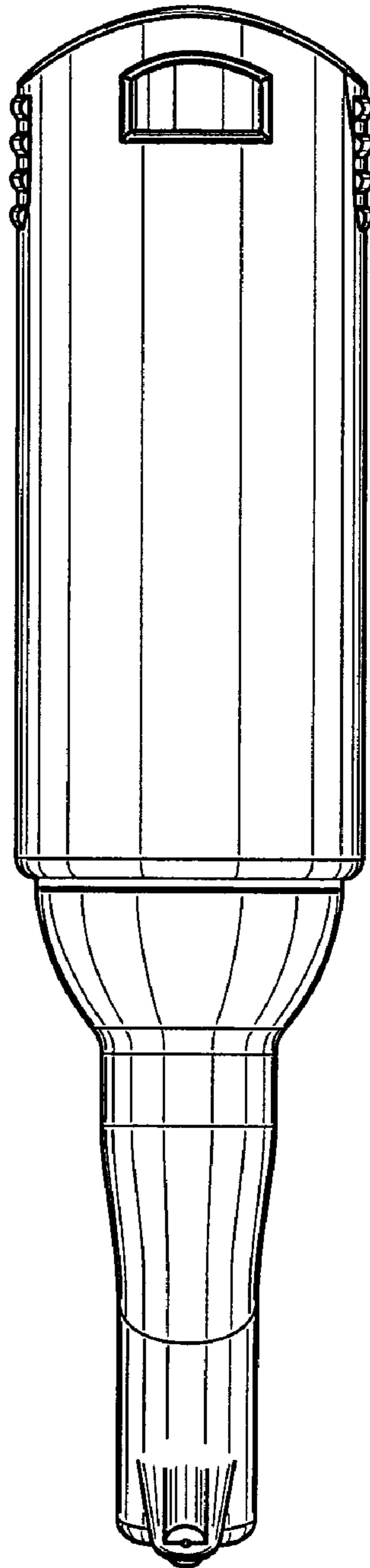


*Fig. 5*





*Fig. 6*



*Fig. 7*