



US00D574077S

(12) **United States Design Patent**
Horng et al.

(10) **Patent No.:** **US D574,077 S**
(45) **Date of Patent:** **** Jul. 29, 2008**

(54) **FAN**
(75) Inventors: **Alex Horng**, Kaohsiung (TW); **Tso-Kuo Yin**, Kaohsiung (TW)
(73) Assignee: **Sunonwealth Electric Machine Industry Co., Ltd.**, Kaohsiung (TW)
(**) Term: **14 Years**
(21) Appl. No.: **29/290,360**
(22) Filed: **Nov. 27, 2007**

D509,895 S * 9/2005 Chen et al. D23/370
D509,896 S * 9/2005 Chen et al. D23/370

* cited by examiner

Primary Examiner—Lisa P Lichtenstein
(74) *Attorney, Agent, or Firm*—Bacon & Thomas, PLLC.

(57) **CLAIM**

The ornamental design for a fan, as shown.

DESCRIPTION

FIG. 1 is a perspective view of the fan in accordance with embodiment of the claimed design;
FIG. 2 is a front elevation view thereof;
FIG. 3 is a rear elevation view thereof;
FIG. 4 is a left side elevation view thereof;
FIG. 5 is a right side elevation view thereof;
FIG. 6 is a top plan view thereof; and,
FIG. 7 is a bottom plan view thereof.

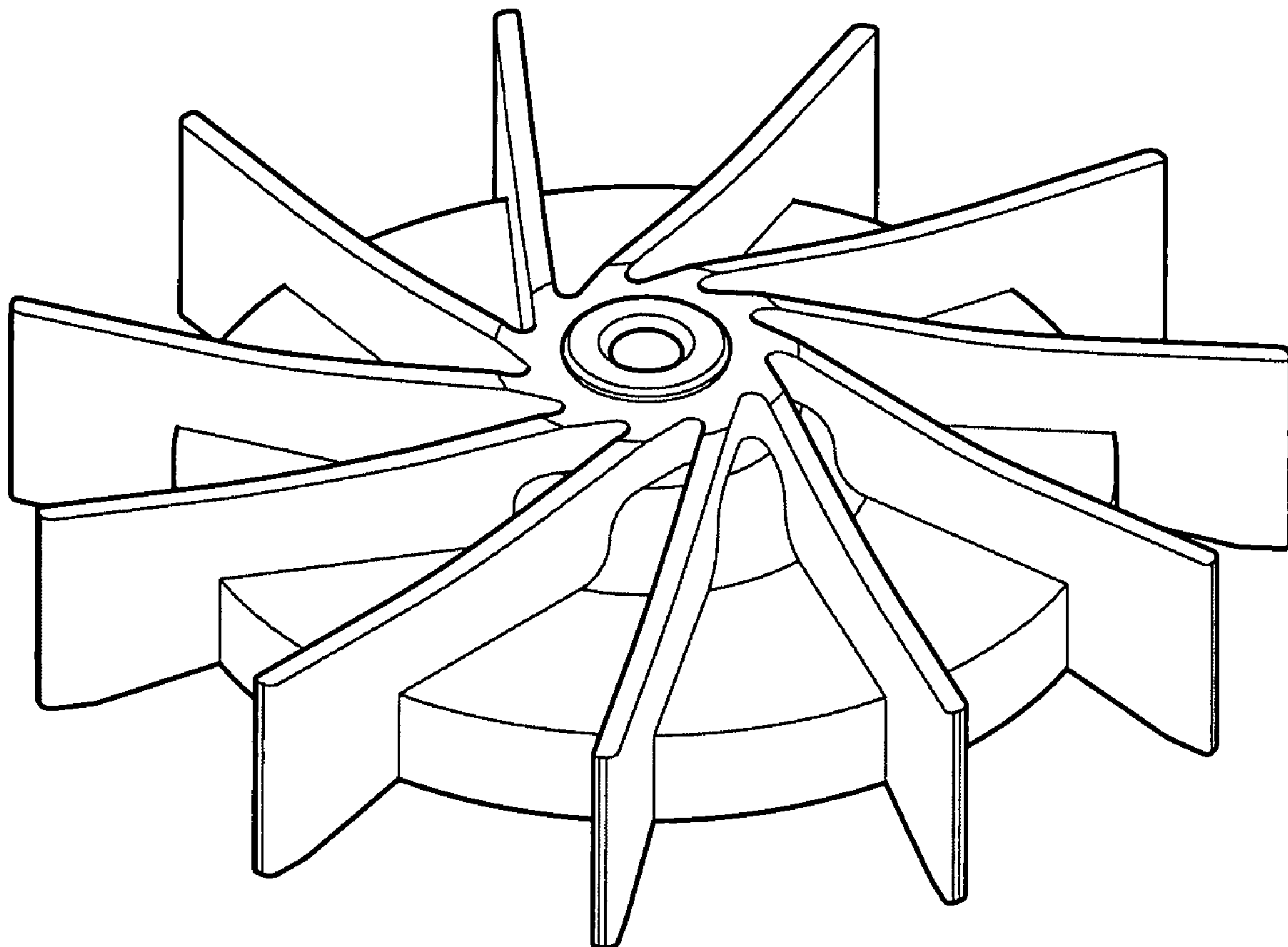
(30) **Foreign Application Priority Data**
Nov. 9, 2007 (TW) 96306095
(51) **LOC (8) Cl.** **23-04**
(52) **U.S. Cl.** **D23/379**
(58) **Field of Classification Search** D23/379,
D23/413, 370; 416/146 R, 63, 142
See application file for complete search history.

(56) **References Cited**

U.S. PATENT DOCUMENTS

D421,798 S * 3/2000 Liang D23/379

1 Claim, 4 Drawing Sheets



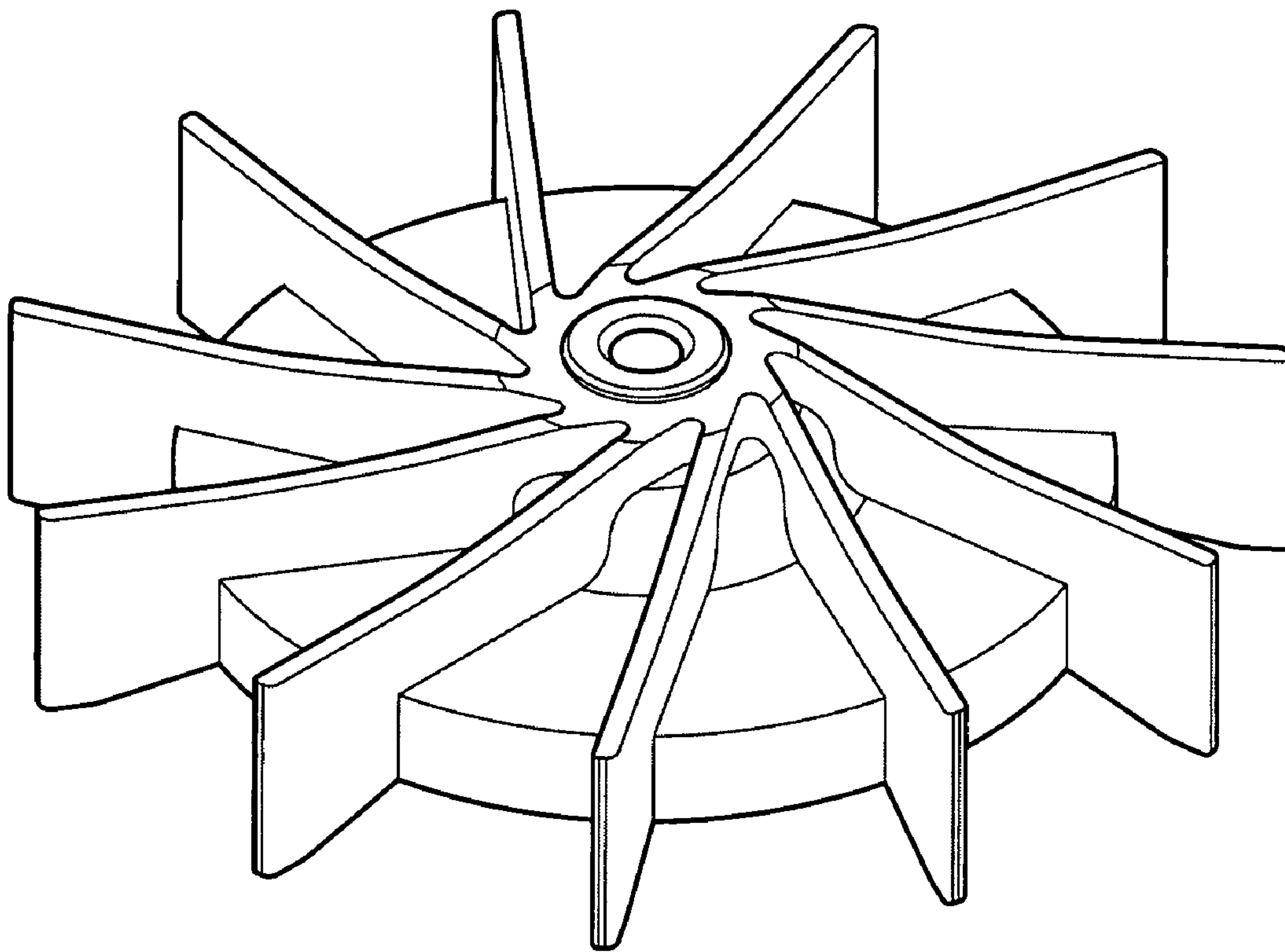


Fig. 1

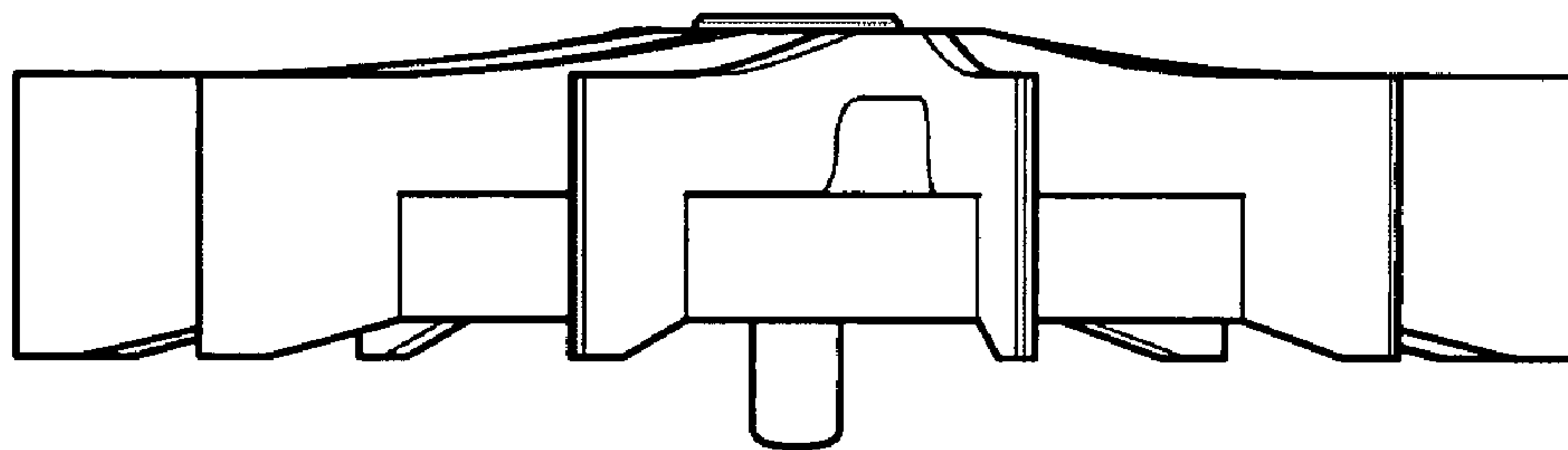


Fig. 2

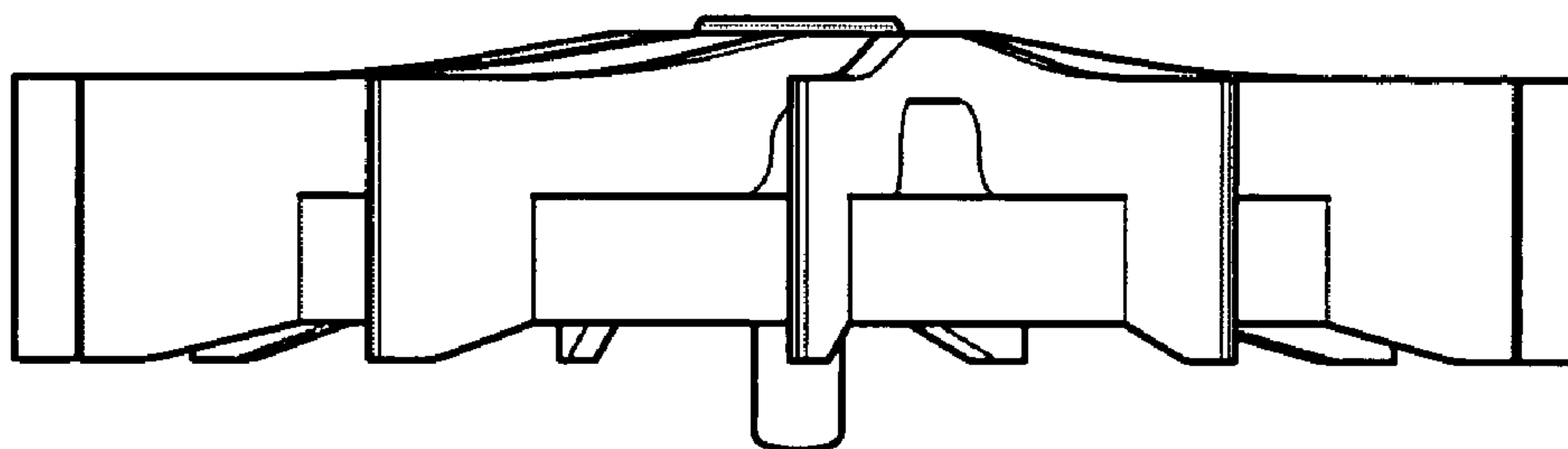


Fig. 3

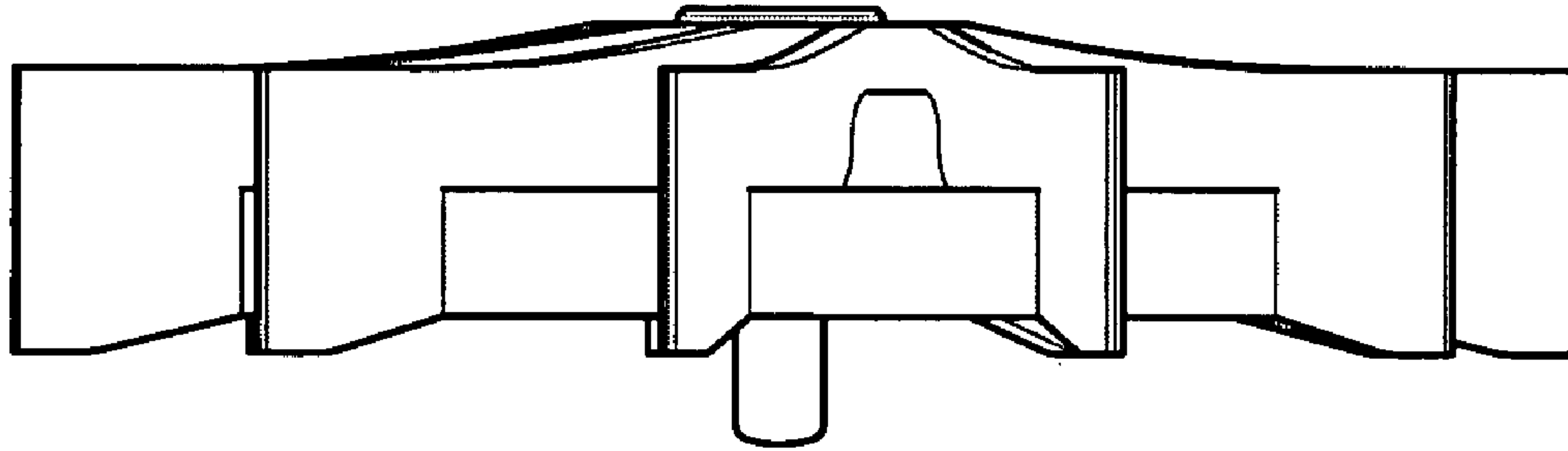


Fig. 5

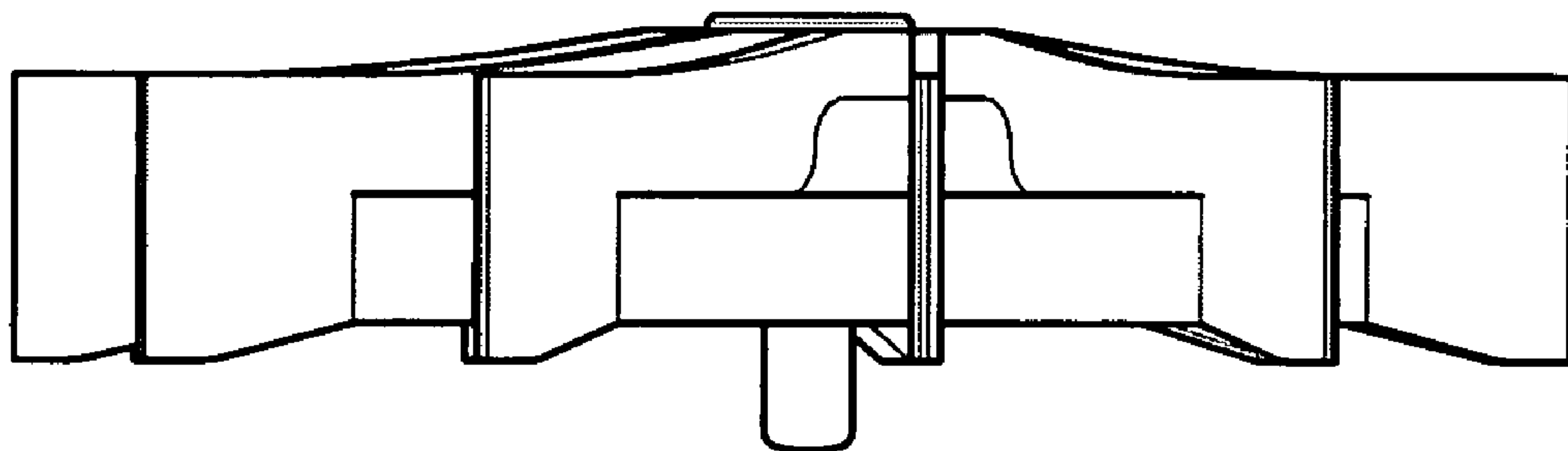


Fig. 4

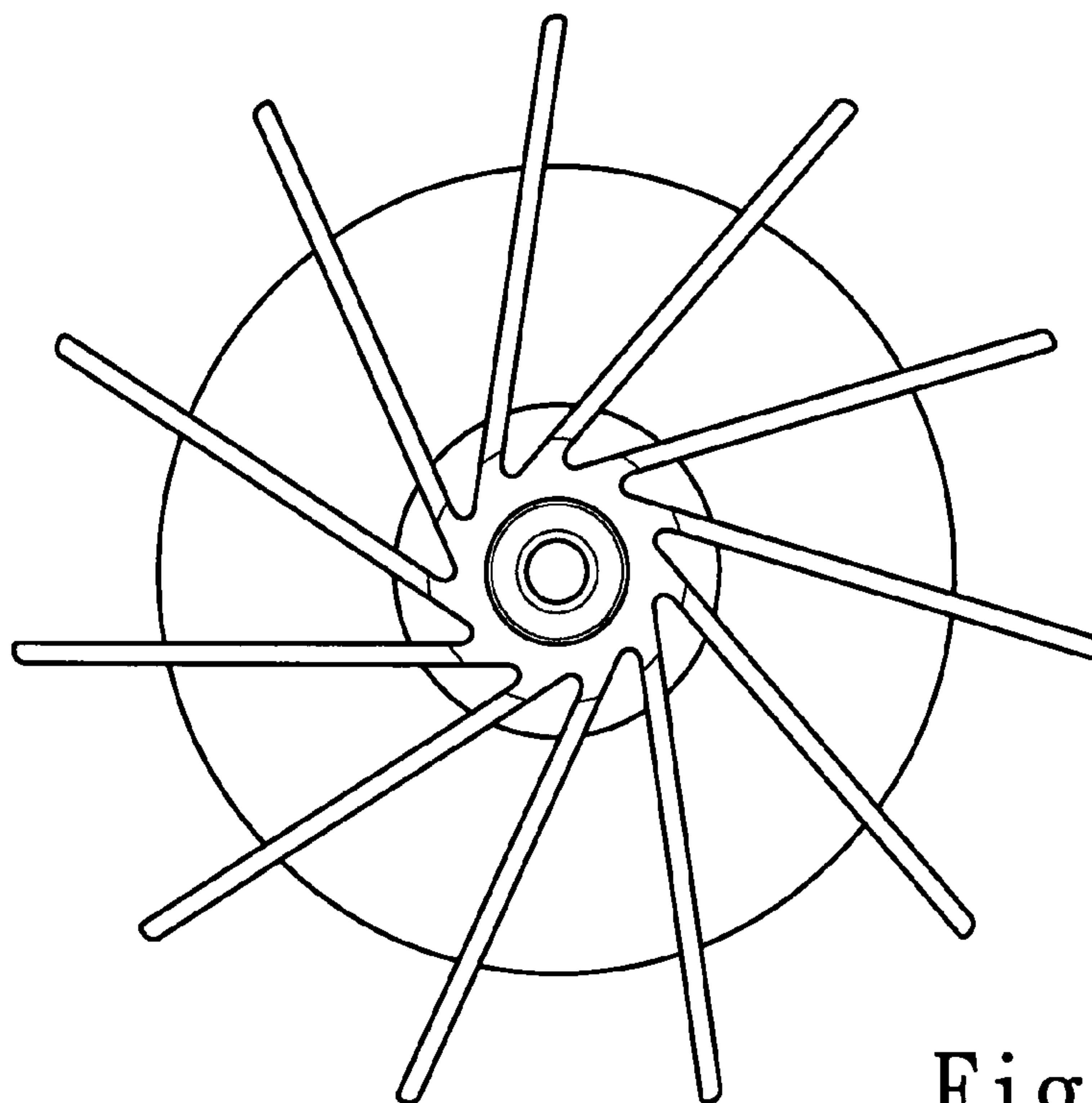


Fig. 6

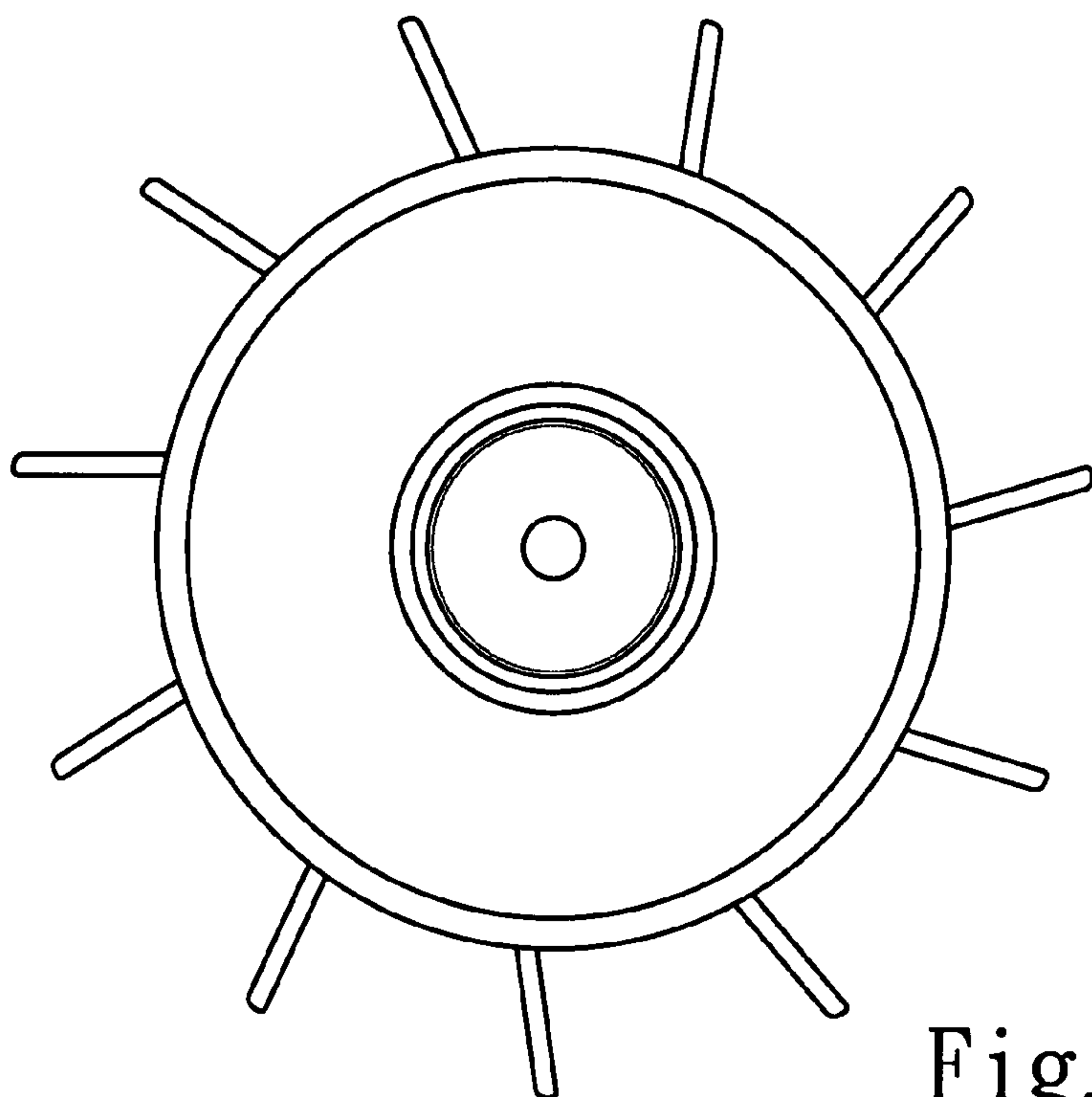


Fig. 7