



US00D574076S

(12) **United States Design Patent**
Baraky

(10) **Patent No.:** **US D574,076 S**

(45) **Date of Patent:** **** Jul. 29, 2008**

(54) **CONICAL PORTION OF AN ELECTRIC AIR FRESHENER**

(75) Inventor: **David Baraky**, New Albany, OH (US)

(73) Assignee: **Bath & Body Works Brand Management, Inc.**, Reynoldsburg, OH (US)

(**) Term: **14 Years**

(21) Appl. No.: **29/265,228**

(22) Filed: **Aug. 28, 2006**

(51) **LOC (8) Cl.** **28-99**

(52) **U.S. Cl.** **D23/366**

(58) **Field of Classification Search** 261/DIG. 17, 261/DIG. 42, DIG. 65, DIG. 88, DIG. 89; D23/355-369; D28/5, 6; 392/386, 401, 392/390-394; 239/34-35, 41-44, 53-60, 239/136, 326

See application file for complete search history.

(56) **References Cited**

U.S. PATENT DOCUMENTS

2,813,187	A	*	11/1957	Rovira	219/385
D372,769	S	*	8/1996	Ganor	D23/366
D421,112	S	*	2/2000	Clement et al.	D23/366
D430,659	S	*	9/2000	Zaragoza et al.	D23/367
D434,130	S	*	11/2000	Clement et al.	D23/366
D435,099	S	*	12/2000	Clement et al.	D23/366
D435,641	S	*	12/2000	Clement et al.	D23/366

D464,416	S	*	10/2002	von Dohlen et al.	D23/366
D476,070	S	*	6/2003	Basaganas Millan	D23/366
D488,856	S	*	4/2004	Millan	D23/366
D493,899	S	*	8/2004	Grodsky et al.	D26/26
D507,636	S	*	7/2005	Baraky et al.	D23/366
D522,119	S	*	5/2006	Baraky et al.	D23/366
D533,930	S	*	12/2006	Keller et al.	D23/366

* cited by examiner

Primary Examiner—Sandra Snapp

(74) *Attorney, Agent, or Firm*—Ward & Olivo

(57) **CLAIM**

The ornamental design for a conical portion of an electric air freshener, as shown and described.

DESCRIPTION

FIG. 1 is a perspective view of a conical portion of an electric air freshener showing our new design;

FIG. 2 is a left side view thereof;

FIG. 3 is a right side view thereof;

FIG. 4 is a top plan view thereof;

FIG. 5 is a bottom plan view thereof; and,

FIG. 6 is a perspective view of the conical portion of an electric air freshener as it is oriented with an electric air freshener, the electric air freshener shown in broken lines for illustrative purposes only and forms no part of the claimed design.

1 Claim, 4 Drawing Sheets

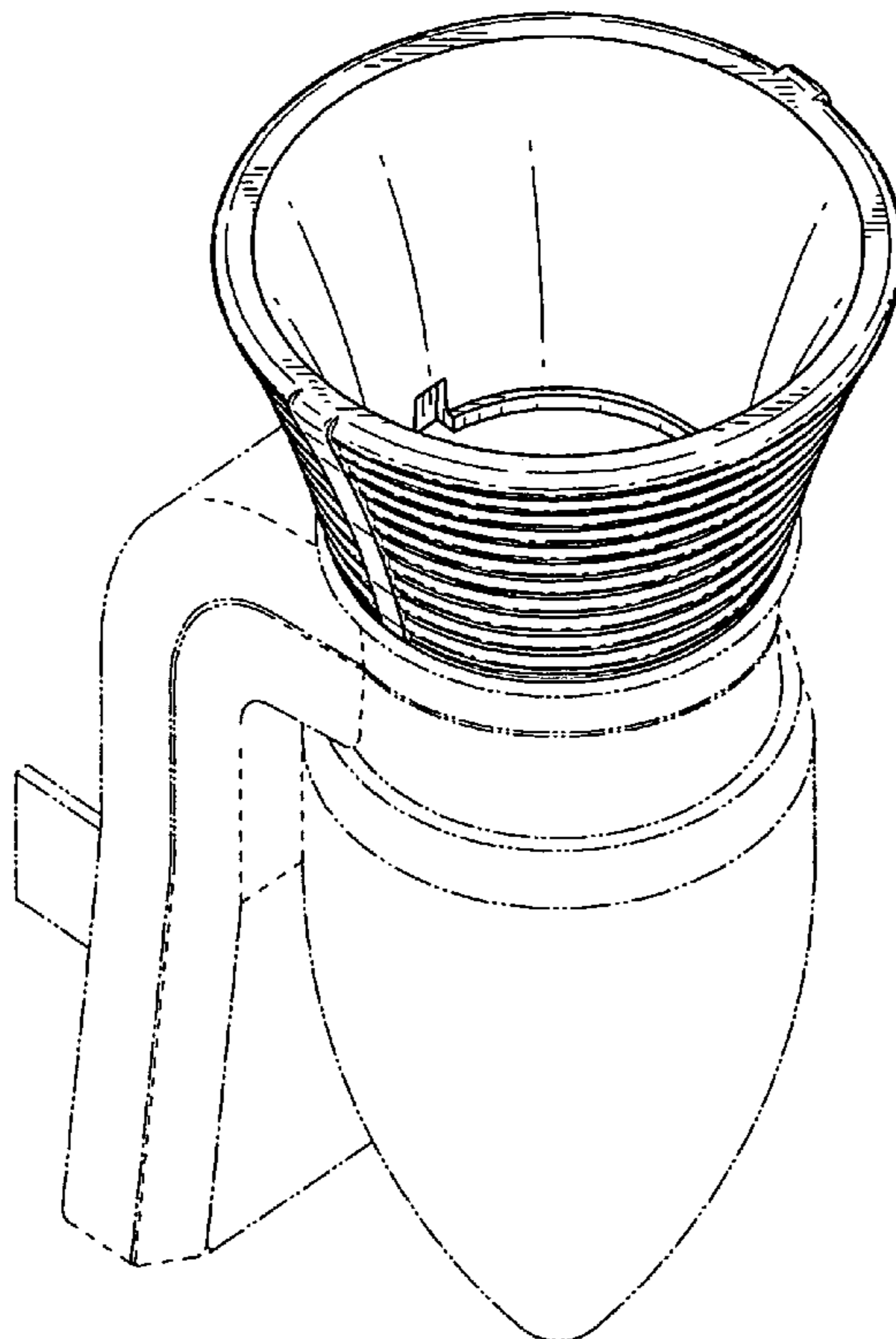


FIG. 1

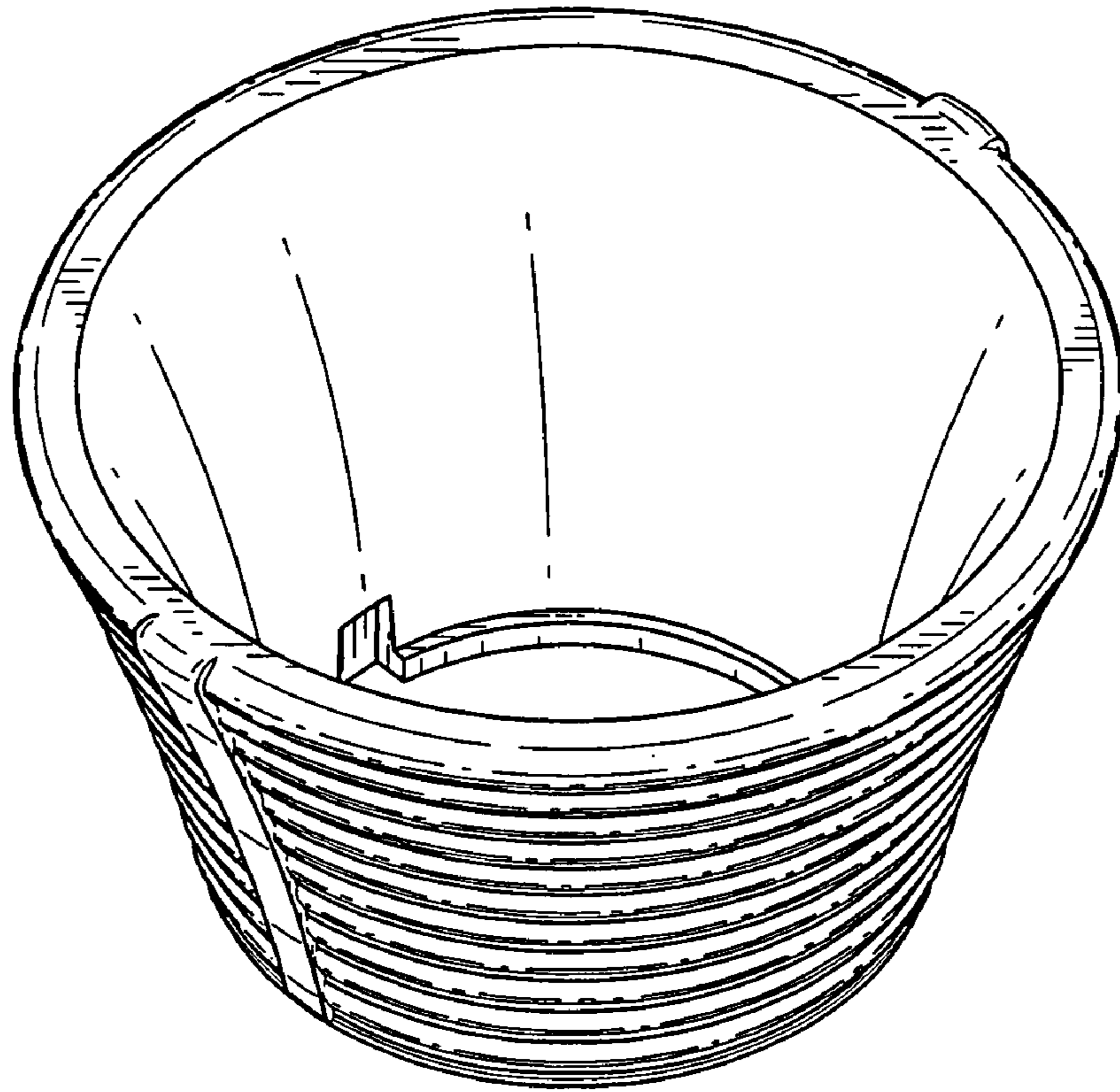


FIG. 2

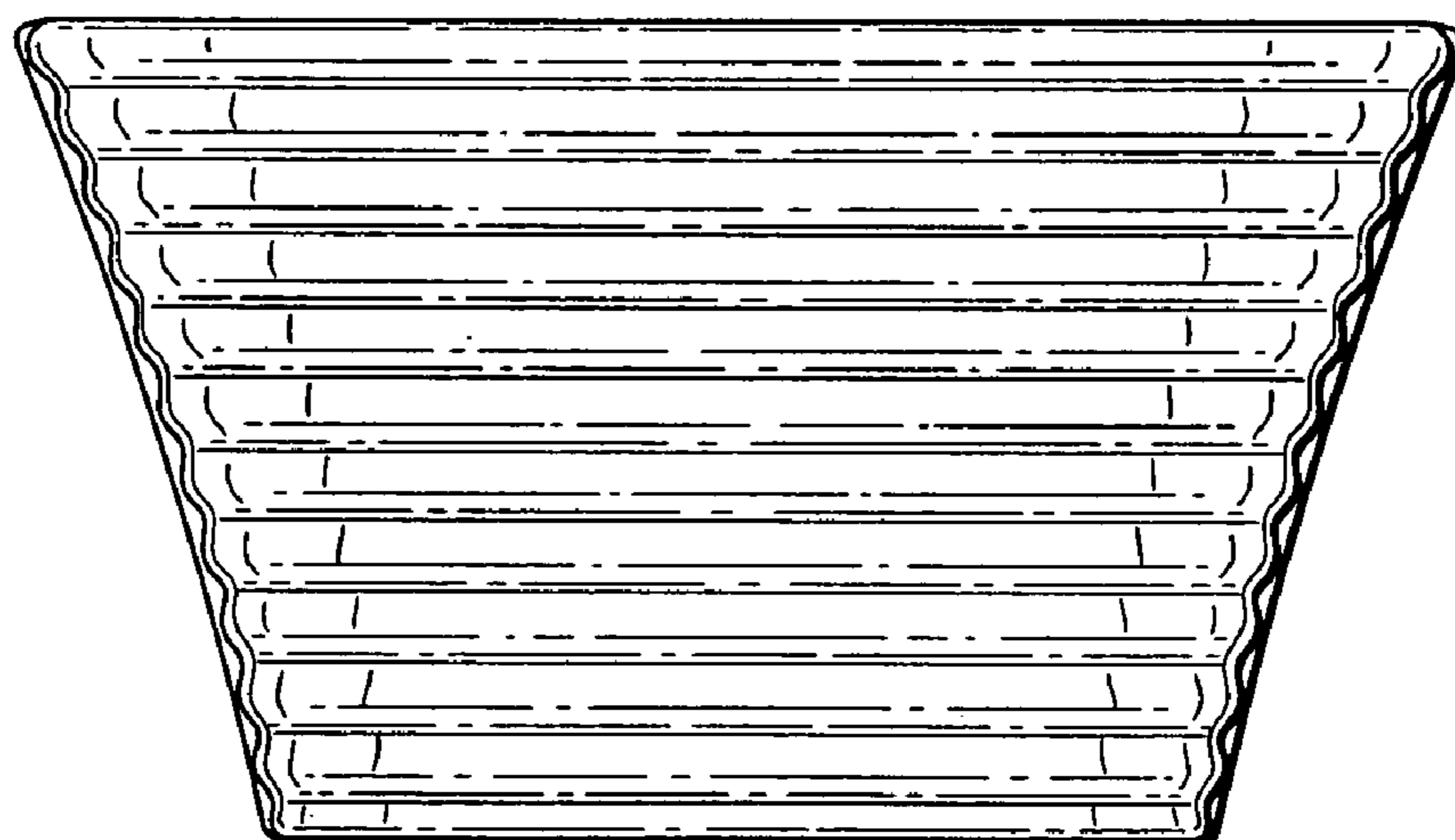


FIG. 3

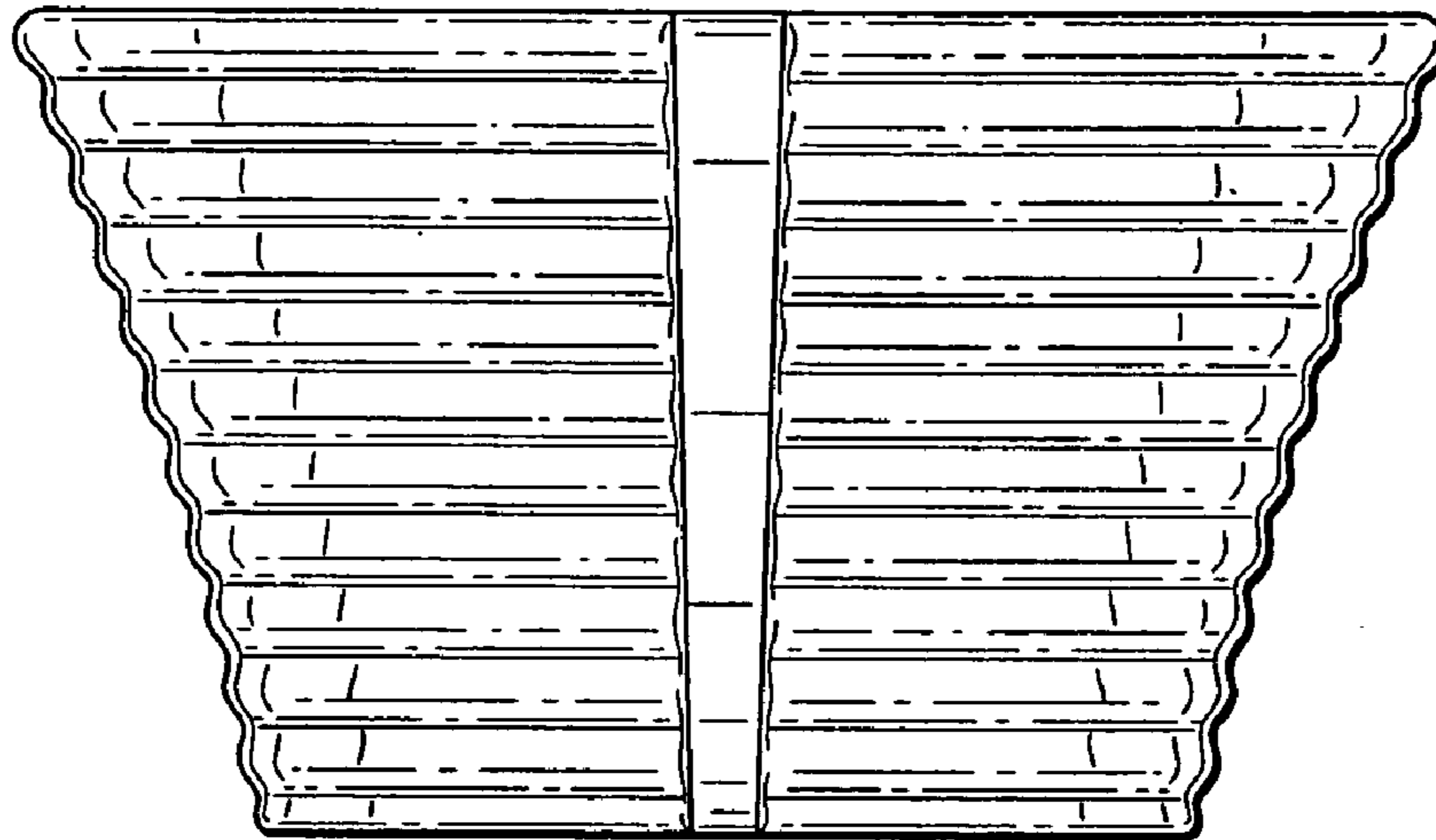


FIG. 4

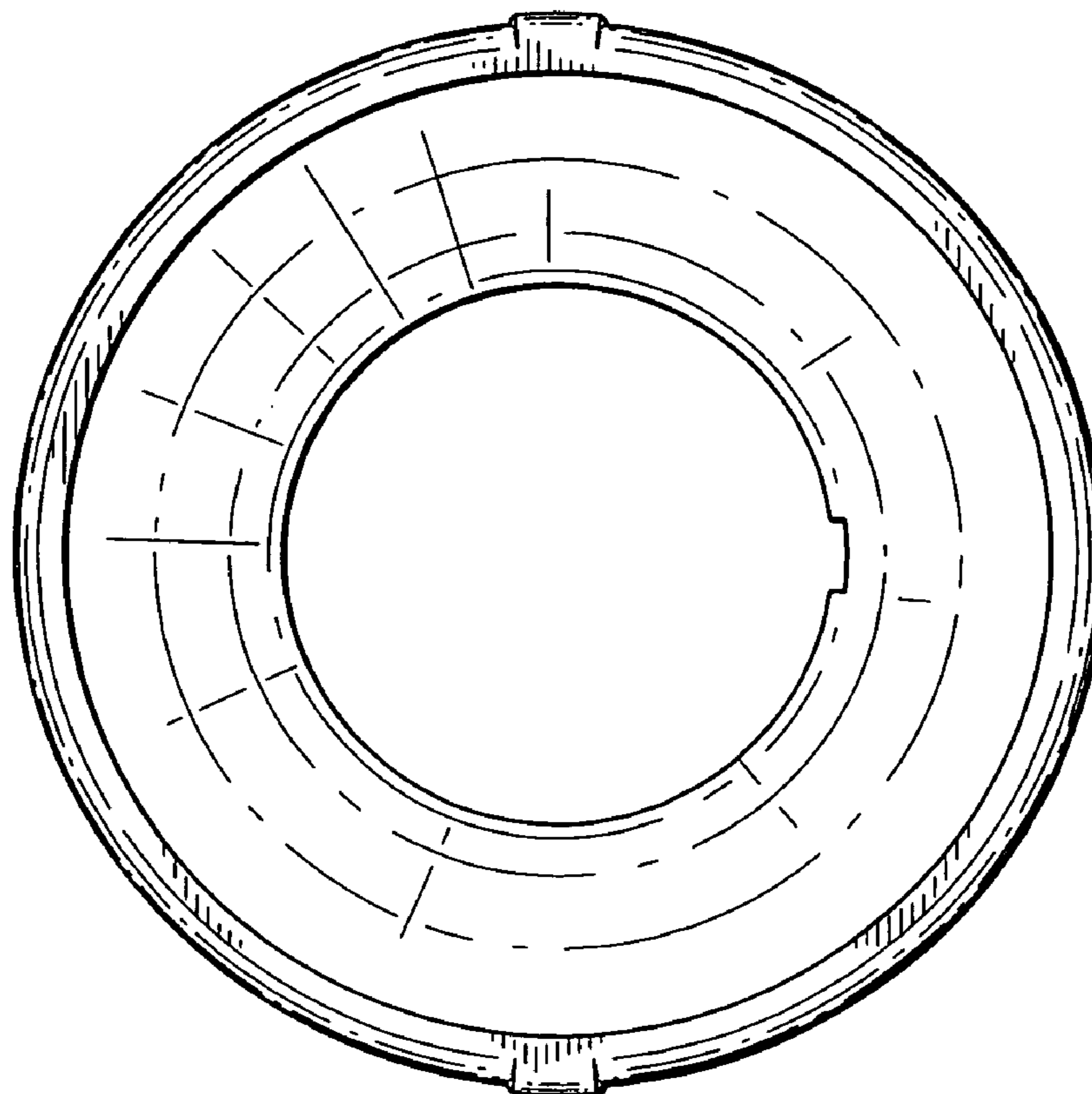


FIG. 5

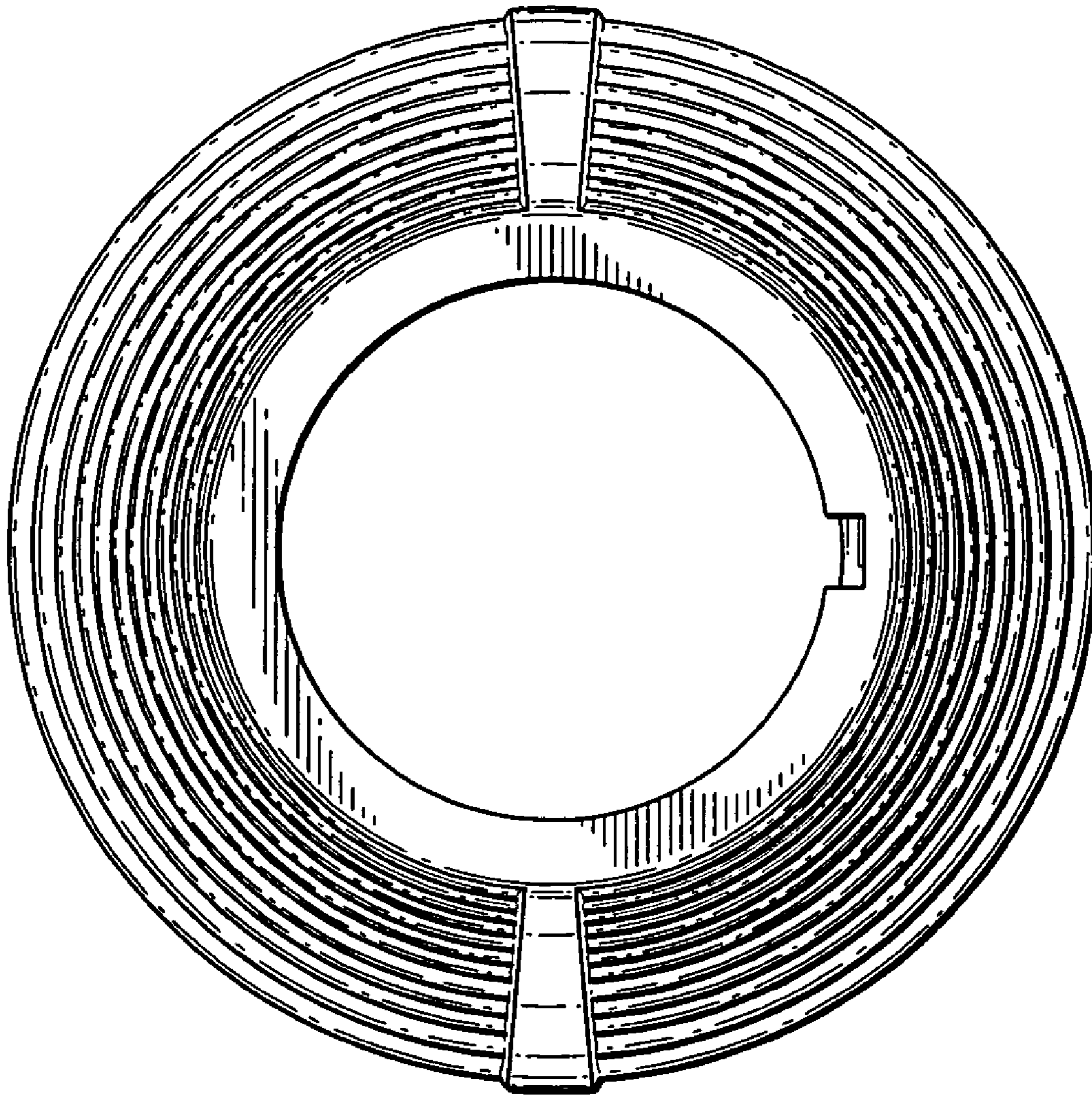


FIG. 6

