



US00D574075S

(12) **United States Design Patent**  
**Papiernik**

(10) **Patent No.:** **US D574,075 S**  
(45) **Date of Patent:** **\*\* Jul. 29, 2008**

(54) **PERFUME DIFFUSER**

(76) Inventor: **Elie Papiernik**, 8, place Saint Sulpice,  
75016 Paris (FR)

(\*\*) Term: **14 Years**

(21) Appl. No.: **29/265,222**

(22) Filed: **Aug. 28, 2006**

(30) **Foreign Application Priority Data**

Feb. 27, 2006 (EM) ..... 000485545-0001

(51) **LOC (8) Cl.** ..... **28-99**

(52) **U.S. Cl.** ..... **D23/366**

(58) **Field of Classification Search** ..... 261/DIG. 17,  
261/DIG. 42, DIG. 65, DIG. 88, DIG. 89;  
D23/355-369; D28/5, 6; 392/341, 342,  
392/386, 390, 392, 393, 394, 401; 239/34,  
239/35, 42, 60, 53-58, 136, 326; D11/43,  
D11/79

See application file for complete search history.

(56) **References Cited**

**U.S. PATENT DOCUMENTS**

D71,912 S \* 1/1927 Hawley ..... D23/367  
1,737,532 A \* 11/1929 Allen ..... 96/152  
D115,173 S \* 6/1939 Reid ..... D23/356  
2,741,003 A \* 4/1956 David ..... 422/105

3,203,112 A \* 8/1965 Edmonds ..... 34/104  
4,911,866 A \* 3/1990 Monroe ..... 261/81  
D312,303 S \* 11/1990 Gustavsson ..... D23/359  
D433,112 S \* 10/2000 Louis, Jr. .... D23/360  
D453,958 S \* 2/2002 Elkas ..... D23/355  
6,367,706 B1 \* 4/2002 Putz ..... 239/6

\* cited by examiner

*Primary Examiner*—Sandra Snapp

(57) **CLAIM**

I claim the ornamental design for a perfume diffuser, as shown and described.

**DESCRIPTION**

FIG. 1 is an isometric view of a perfume diffuser showing my new design.

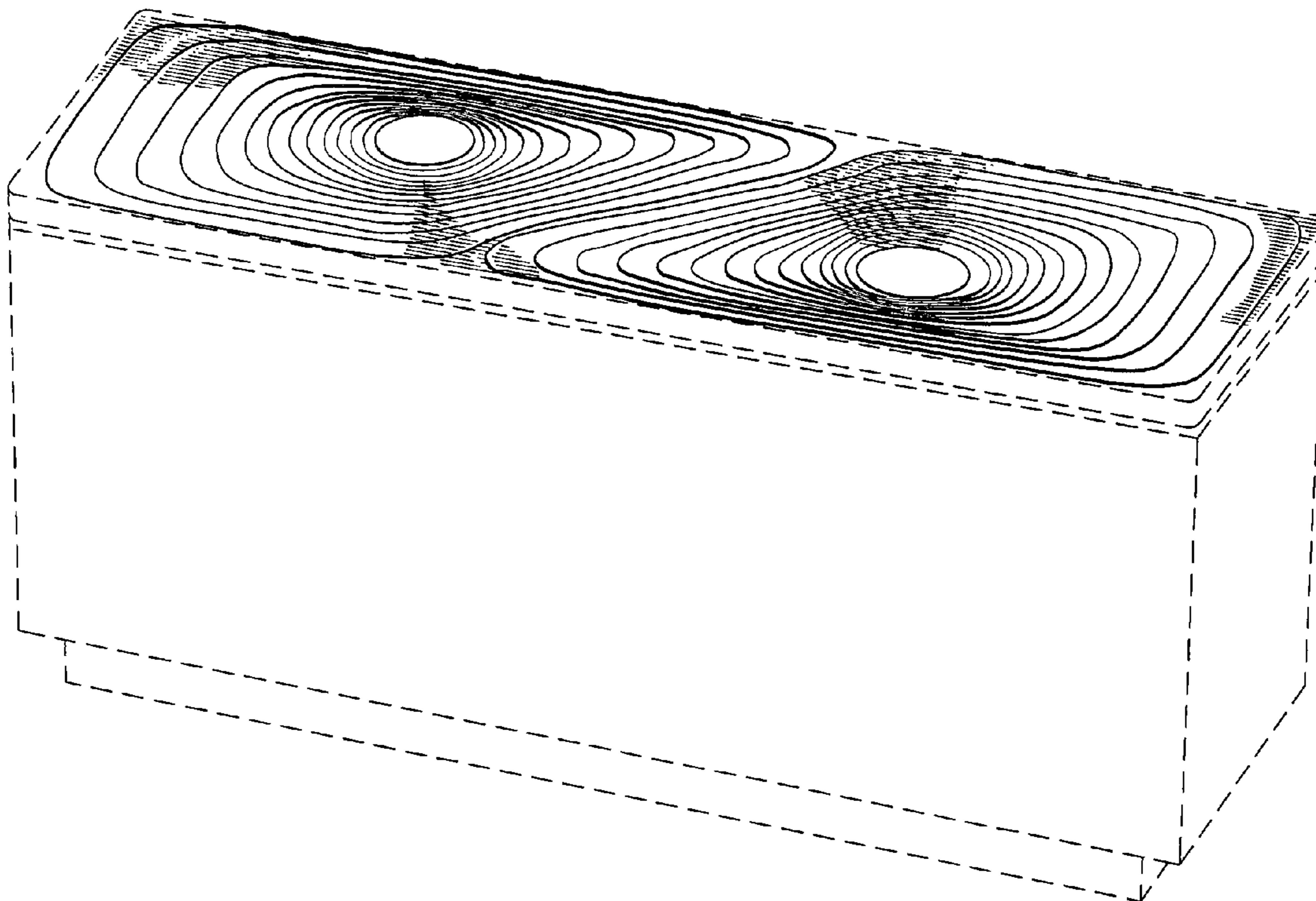
FIG. 2 is a side view of the perfume diffuser shown in FIG. 1.

FIG. 3 is a top view of the perfume diffuser shown in FIG. 1; and,

FIG. 4 is an end view of the perfume diffuser shown in FIG. 1.

The broken lines are provided for illustrative purposes only, and form no part of the claimed design. In addition, the portions of the perfume diffuser that are not shown in the drawing do not form any part of the claimed design.

**1 Claim, 3 Drawing Sheets**



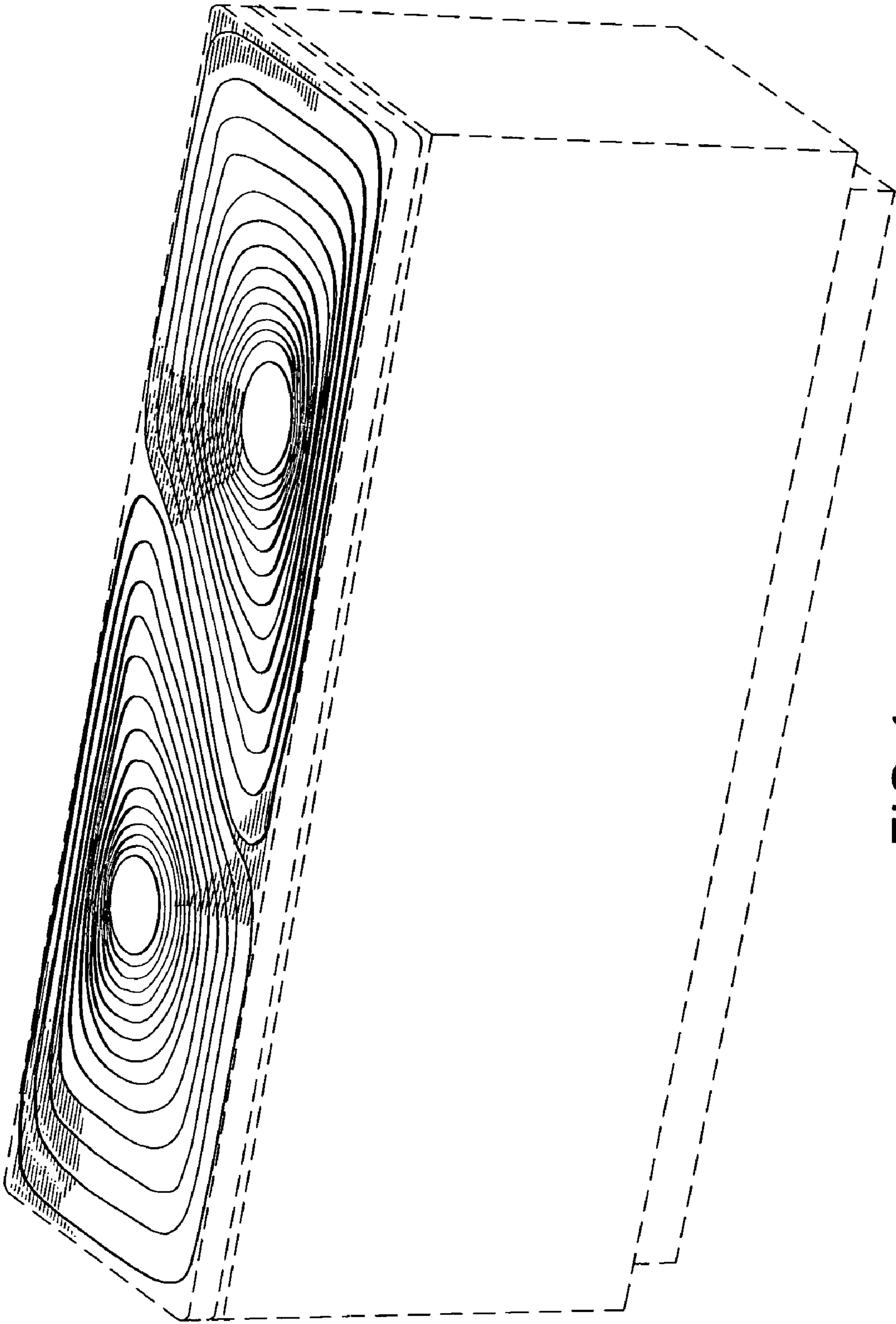


FIG.1

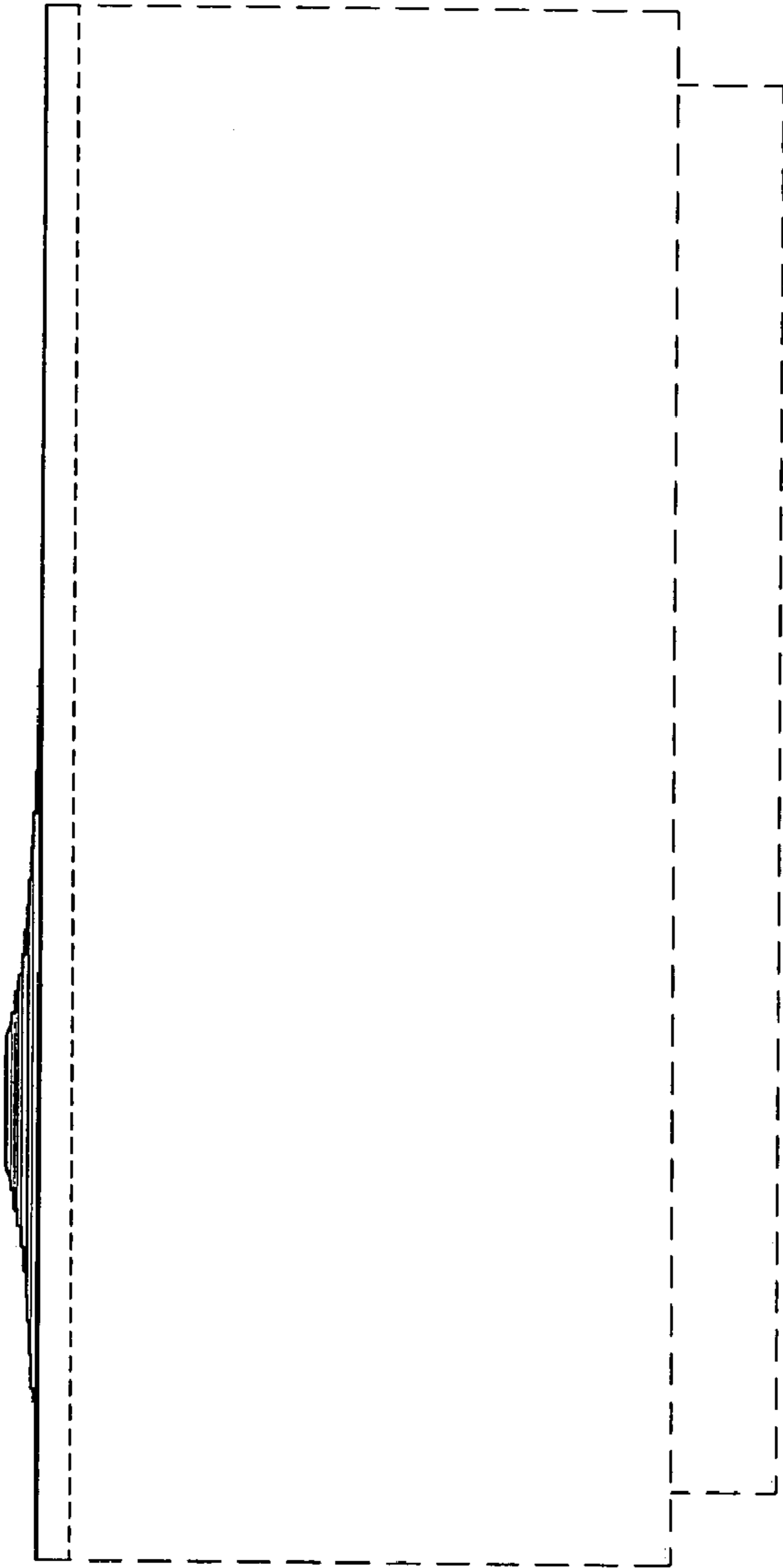


FIG. 2

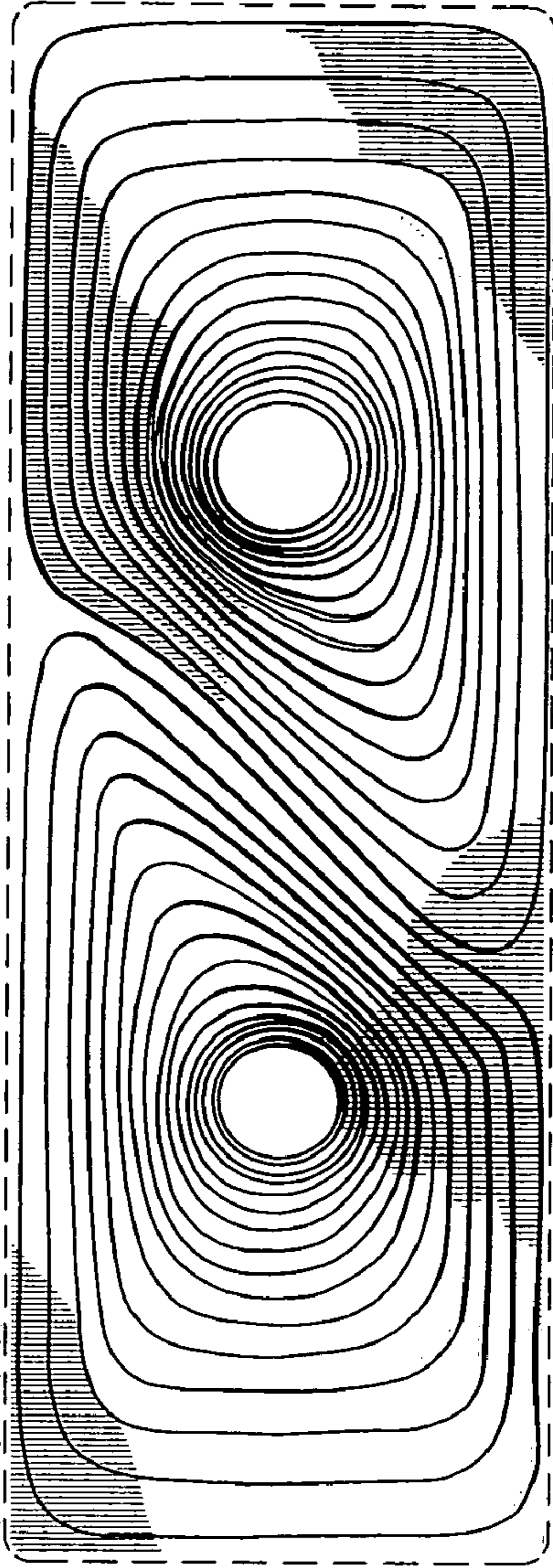


FIG. 3

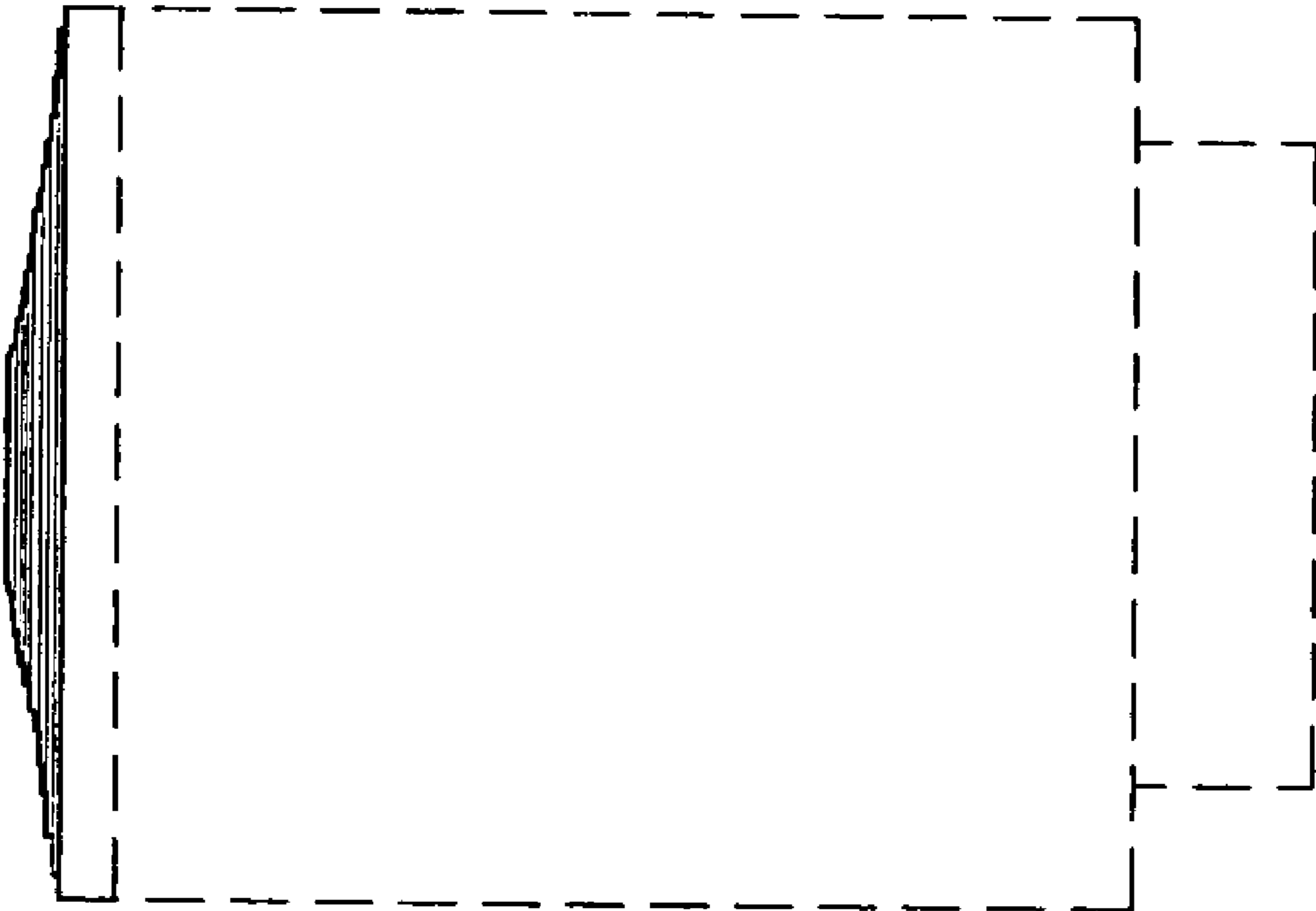


FIG. 4