



US00D574074S

(12) **United States Design Patent**
Papiernik

(10) **Patent No.:** **US D574,074 S**
(45) **Date of Patent:** **** Jul. 29, 2008**

(54) **PERFUME DIFFUSER**

(76) Inventor: **Elie Papiernik**, 8, place Saint Sulpice,
75016 Paris (FR)

(**) Term: **14 Years**

(21) Appl. No.: **29/265,210**

(22) Filed: **Aug. 28, 2006**

(30) **Foreign Application Priority Data**

Feb. 27, 2006 (EM) 000485545-0001

(51) **LOC (8) Cl.** **28-99**

(52) **U.S. Cl.** **D23/366**

(58) **Field of Classification Search** 261/DIG. 17,
261/DIG. 42, DIG. 65, DIG. 88, DIG. 89;
D23/355-369; D28/5, 6; 392/341, 342,
392/386, 390, 392, 393, 394, 401; 239/34,
239/35, 42, 60, 53-58, 136, 326; D11/43,
D11/79

See application file for complete search history.

(56) **References Cited**

U.S. PATENT DOCUMENTS

D71,912 S * 1/1927 Hawley D23/367
1,737,532 A * 11/1929 Allen 96/152
D115,173 S * 6/1939 Reid D23/356
2,741,003 A * 4/1956 David 422/105

3,203,112 A * 8/1965 Edmonds 34/104
4,911,866 A * 3/1990 Monroe 261/81
D312,303 S * 11/1990 Gustavsson D23/359
D433,112 S * 10/2000 Louis, Jr. D23/360
D453,958 S * 2/2002 Elkas D23/355
6,367,706 B1 * 4/2002 Putz 239/6

* cited by examiner

Primary Examiner—Sandra Snapp

(57) **CLAIM**

I claim the ornamental design for a perfume diffuser, as shown and described.

DESCRIPTION

FIG. 1 is an isometric view of a perfume diffuser showing my new design.

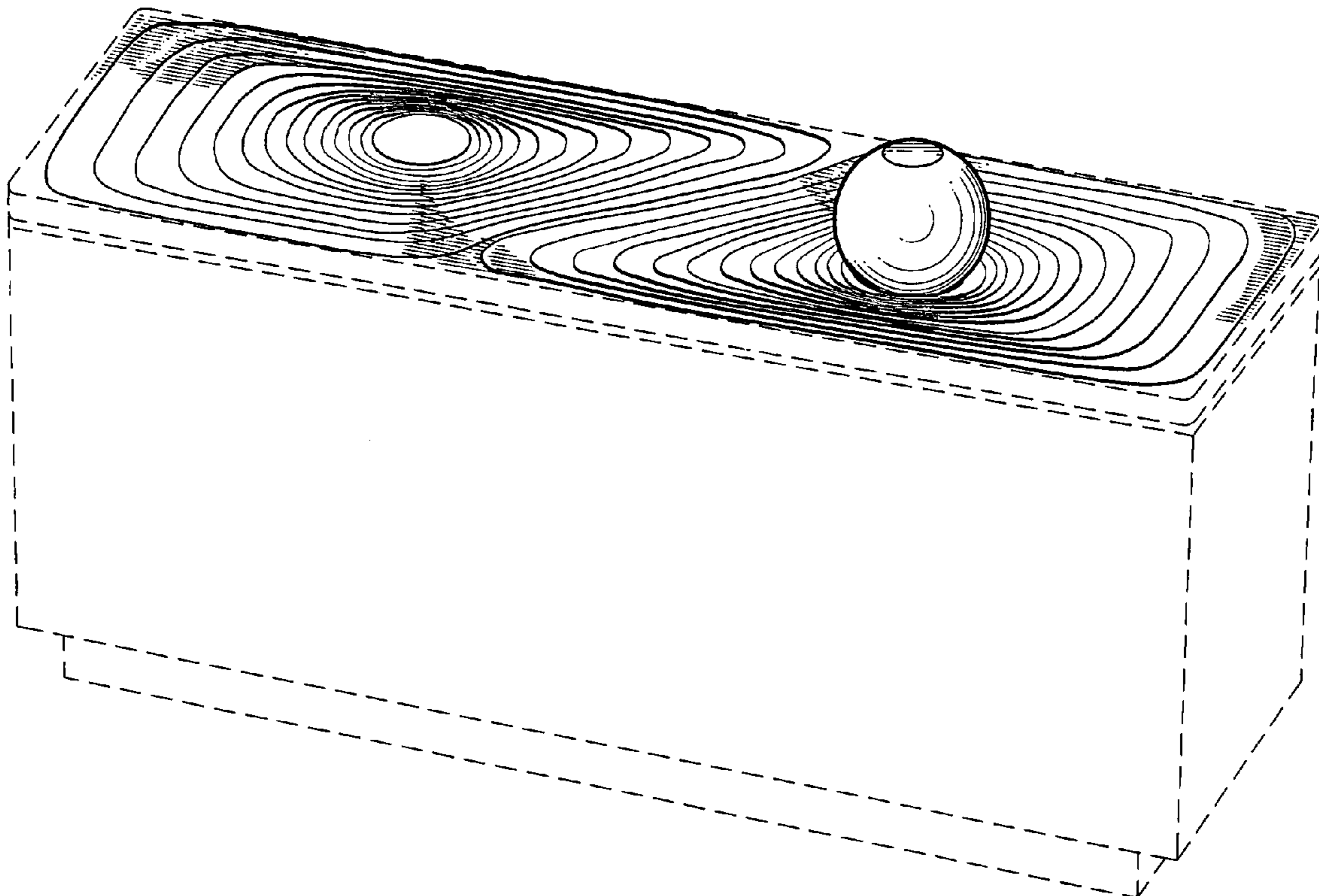
FIG. 2 is a side view of the perfume diffuser shown in FIG. 1.

FIG. 3 is a top view of the perfume diffuser shown in FIG. 1; and,

FIG. 4 is an end view of the perfume diffuser shown in FIG. 1.

The broken lines are provided for illustrative purposes only, and form no part of the claimed design. In addition, the portions of the perfume diffuser that are not shown in the drawing do not form any part of the claimed design.

1 Claim, 3 Drawing Sheets



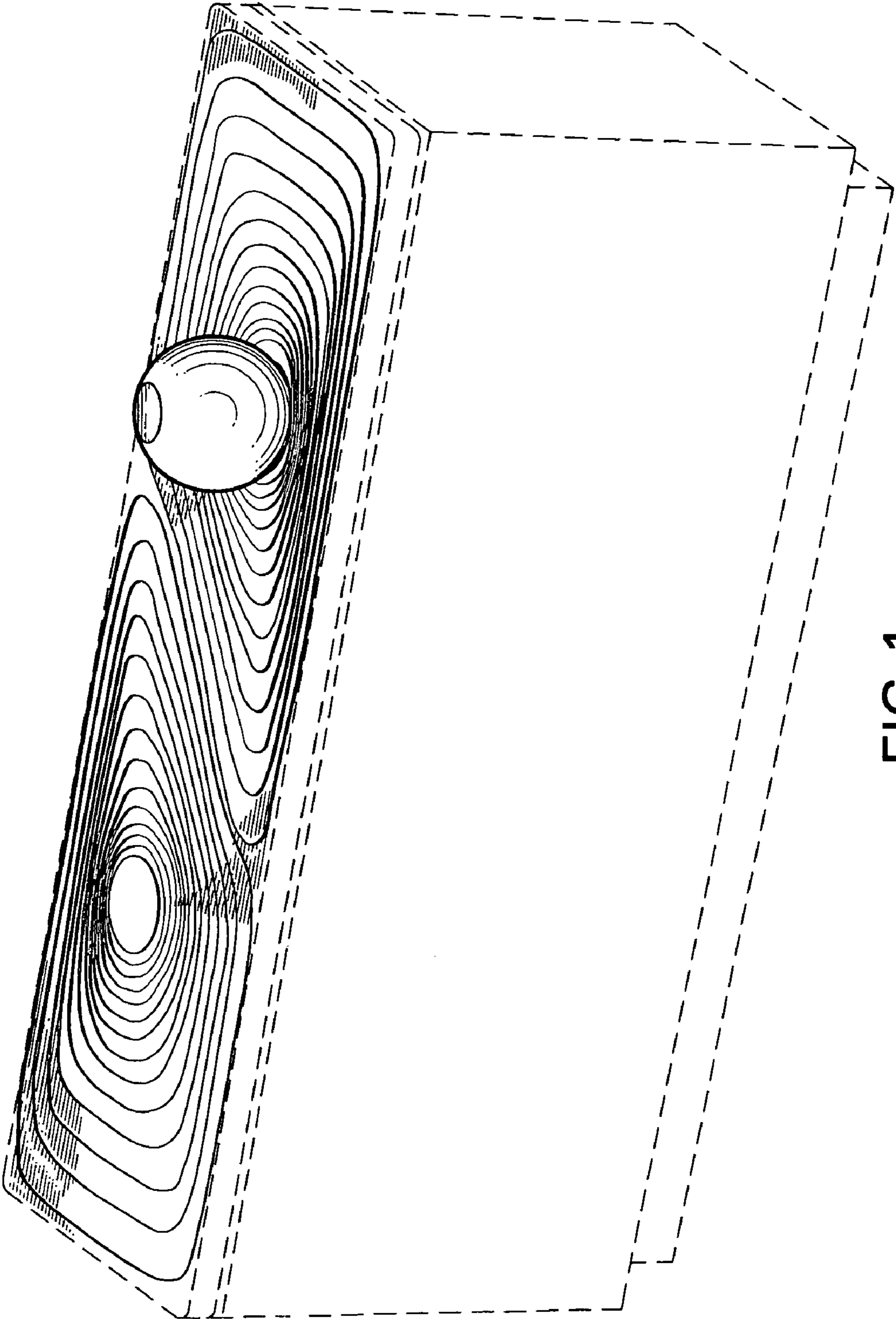


FIG.1

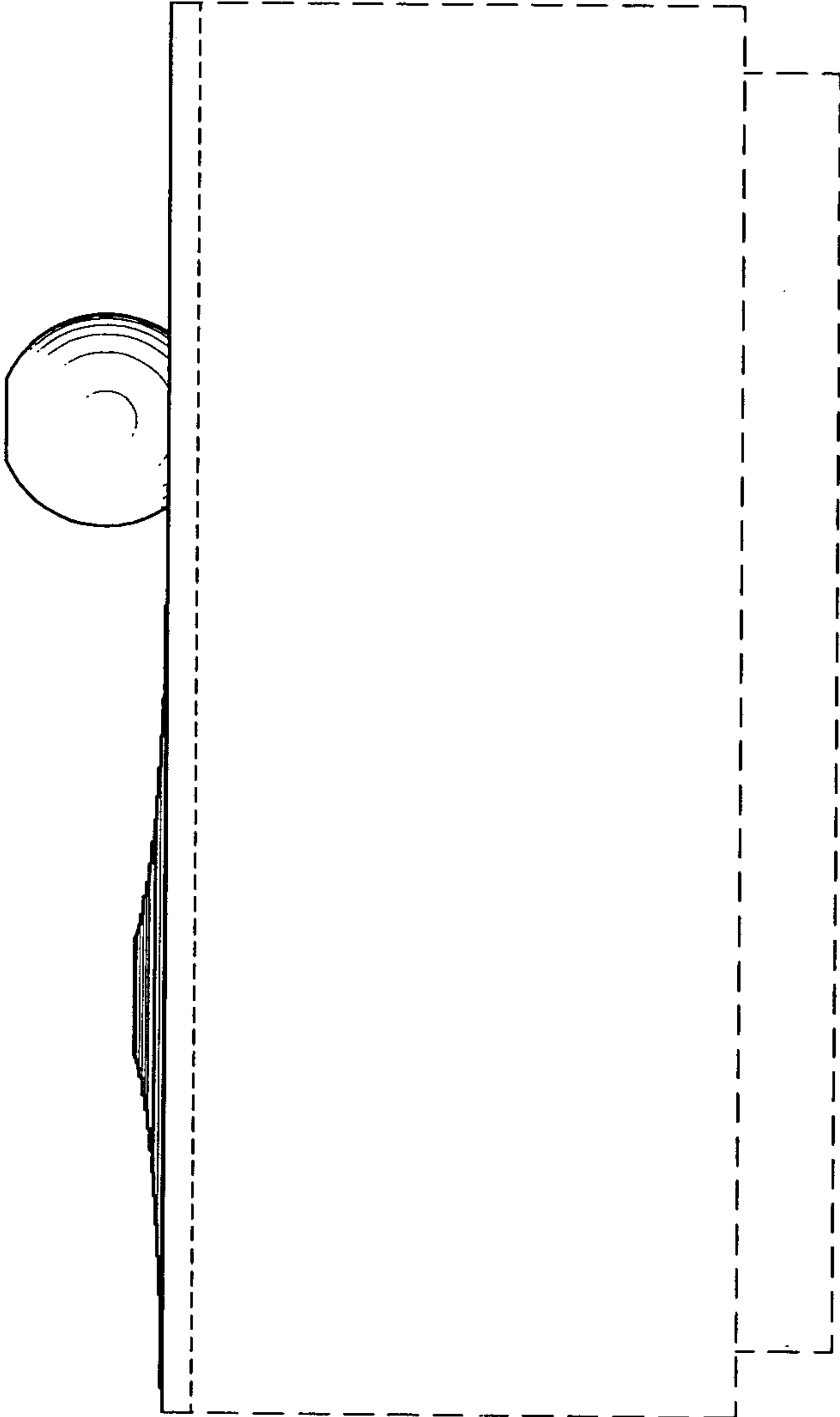


FIG. 2

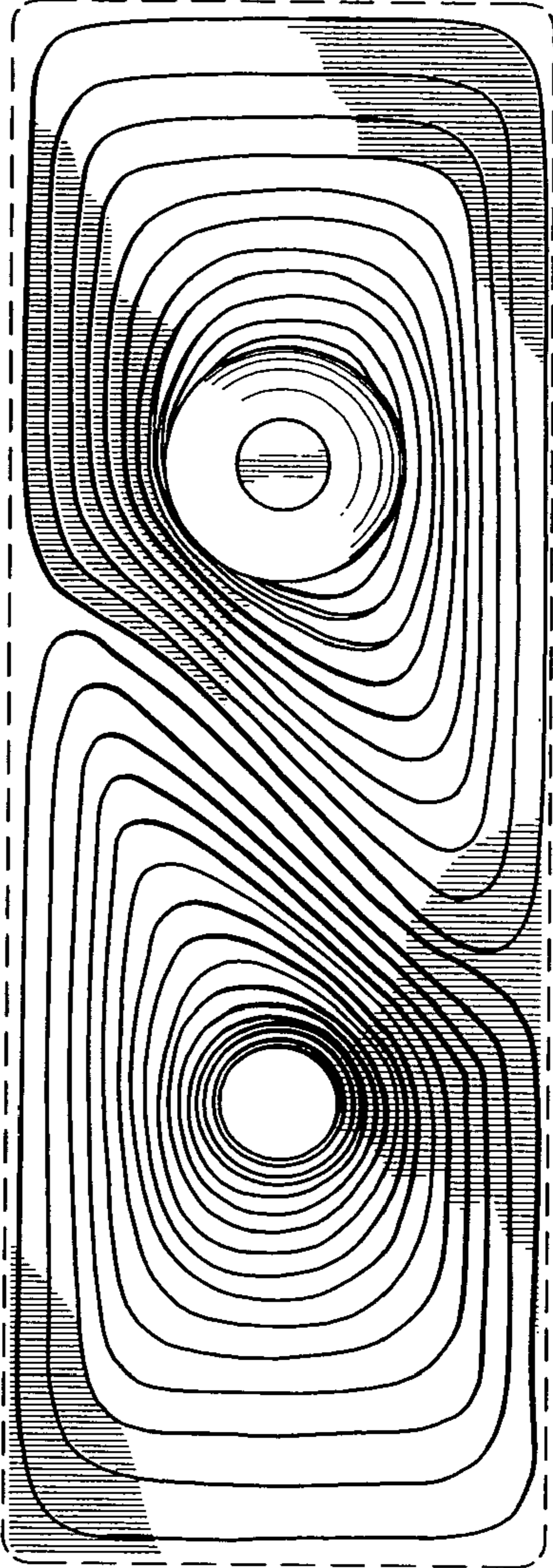


FIG. 3

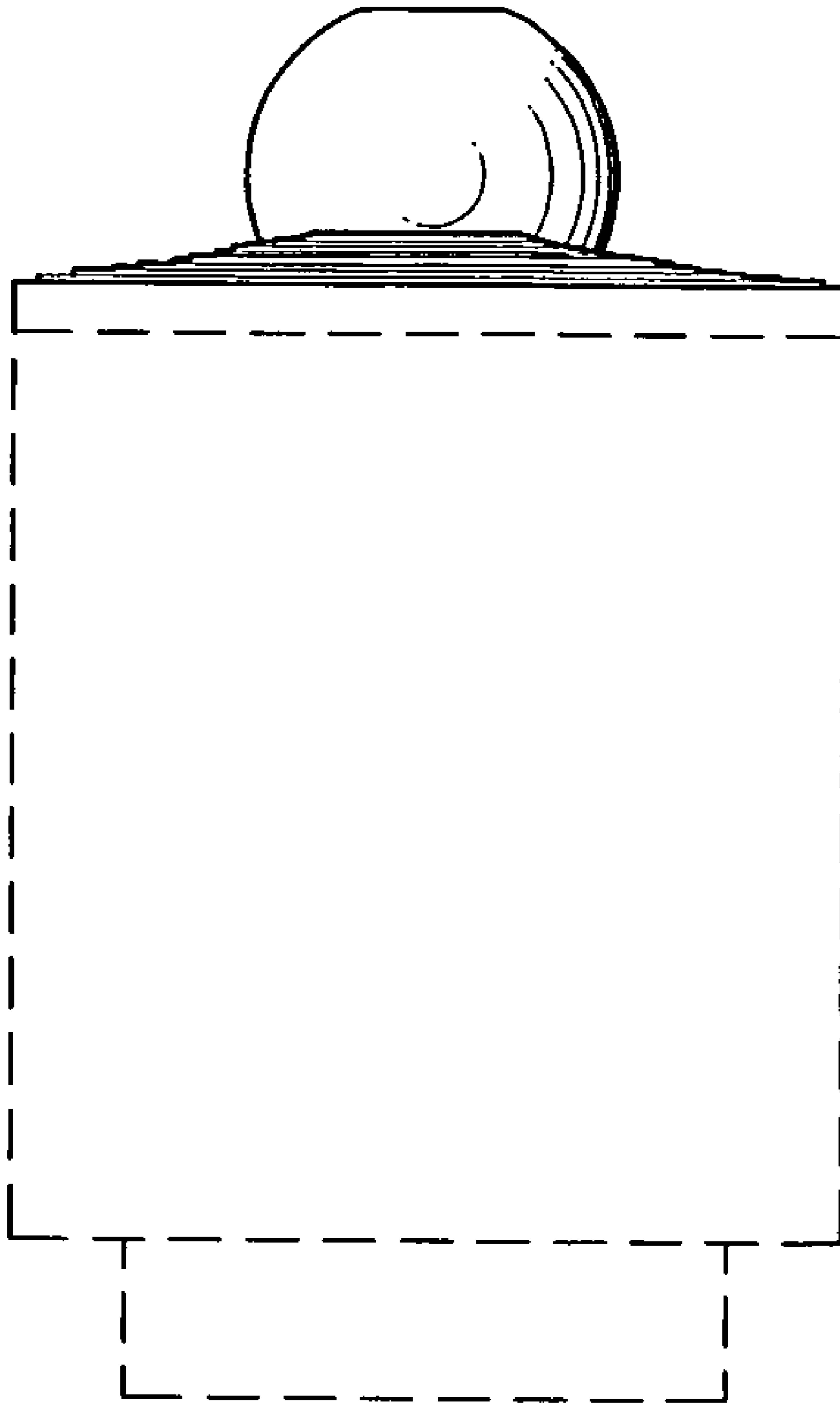


FIG. 4