



US00D574073S

(12) **United States Design Patent**  
**Ramenzoni**

(10) **Patent No.:** **US D574,073 S**  
(45) **Date of Patent:** **\*\* Jul. 29, 2008**

(54) **SONIC ABSORBENT AND AIR FILTER PANEL**

(75) Inventor: **Daniele Ramenzoni**, Fidenza (IT)

(73) Assignee: **Andrea Chiesi & Gianandrea Bianchi**, Parma (IT)

(\*\*) Term: **14 Years**

(21) Appl. No.: **29/232,744**

(22) Filed: **Jun. 23, 2005**

(30) **Foreign Application Priority Data**

Dec. 24, 2004 (EM) ..... 000275862-0002

(51) **LOC (8) Cl.** ..... **23-04**

(52) **U.S. Cl.** ..... **D23/365**

(58) **Field of Classification Search** ..... D23/365,  
D23/363, 358, 386, 354, 341; D25/119,  
D25/138-140, 152, 153, 162; 55/502; D8/354,  
D8/382; 181/284-288, 290, 295, 293  
See application file for complete search history.

(56) **References Cited**

**U.S. PATENT DOCUMENTS**

D259,893 S *	7/1981	Fidel	.....	D25/138
D311,583 S *	10/1990	Shell	.....	D25/119
D420,154 S *	2/2000	Irvine et al.	.....	D25/138
D459,975 S *	7/2002	Dinh et al.	.....	D8/354
D471,793 S *	3/2003	Wall	.....	D8/382
D472,455 S *	4/2003	Wall	.....	D8/382
D492,426 S *	6/2004	Strickler	.....	D25/162
D508,740 S *	8/2005	Cole	.....	D25/119
D517,222 S *	3/2006	Cole	.....	D25/119
D525,370 S *	7/2006	Levi-Senigaglia	.....	D25/119
D536,101 S *	1/2007	Schrader	.....	D25/119
D537,534 S *	2/2007	Cole	.....	D25/119
D537,535 S *	2/2007	Decicio	.....	D25/119

\* cited by examiner

*Primary Examiner*—Louis S Zarfaz  
*Assistant Examiner*—David G Muller  
(74) *Attorney, Agent, or Firm*—James V. Costigan; Hedman & Costigan, P.C.

(57) **CLAIM**

The ornamental design for a sonic absorbent and air filter panel, as shown and described.

**DESCRIPTION**

FIG. 1 is a perspective view of a sonic absorbent and air filter panel showing the front surface of the panel as black;

FIG. 2 is a rear perspective view of the sonic absorbent and air filter panel of FIG. 1 showing the rear surface of the panel as black;

FIG. 3 is a front perspective view of a further embodiment of the sonic absorbent and air filter panel having an upper concave bend with the front surface as black

FIG. 4 is a rear perspective view a sonic absorbent and air filter panel having a lower surface bend with the front surface as black;

FIG. 5 is a left side view of the panel of FIG. 1;

FIG. 6 is a top view of the panel of FIG. 1;

FIG. 7 is a rear view of the panel of FIG. 1 which is a mirror image of the front view;

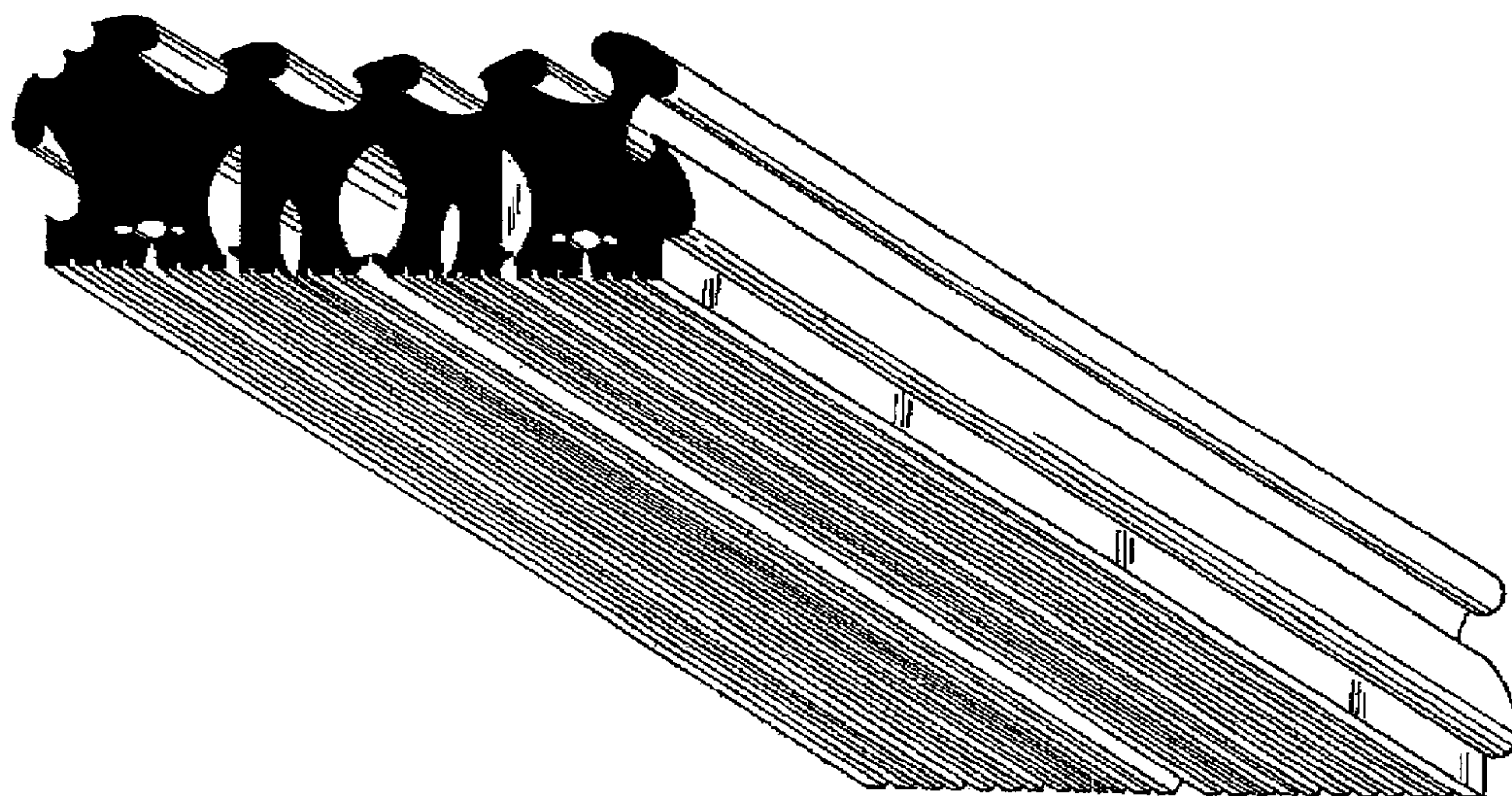
FIG. 8 is a bottom view of the panel of FIG. 1 with the left side of the panel on the right side of FIG. 8;

FIG. 9 is a front perspective view of two panels of FIG. 1 horizontally joined to provide a larger horizontal extension joined composite panel; and

FIG. 10 is a front perspective view of two panels of FIG. 1 juxtaposed to provide an increased thickness sonic absorbent and filter panel; and,

FIG. 11 is a right side view of FIG. 1.

**1 Claim, 9 Drawing Sheets**





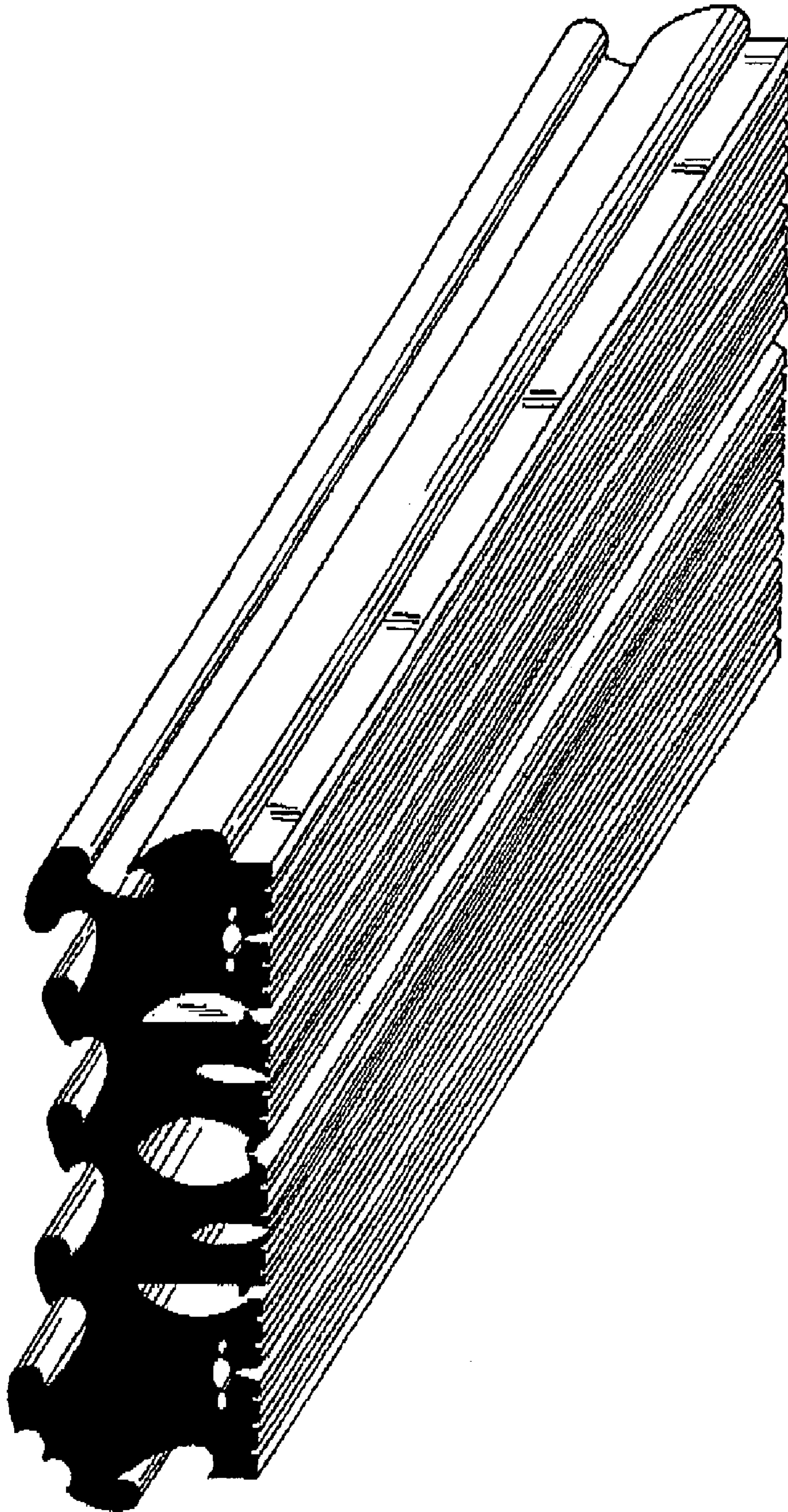


FIG.1

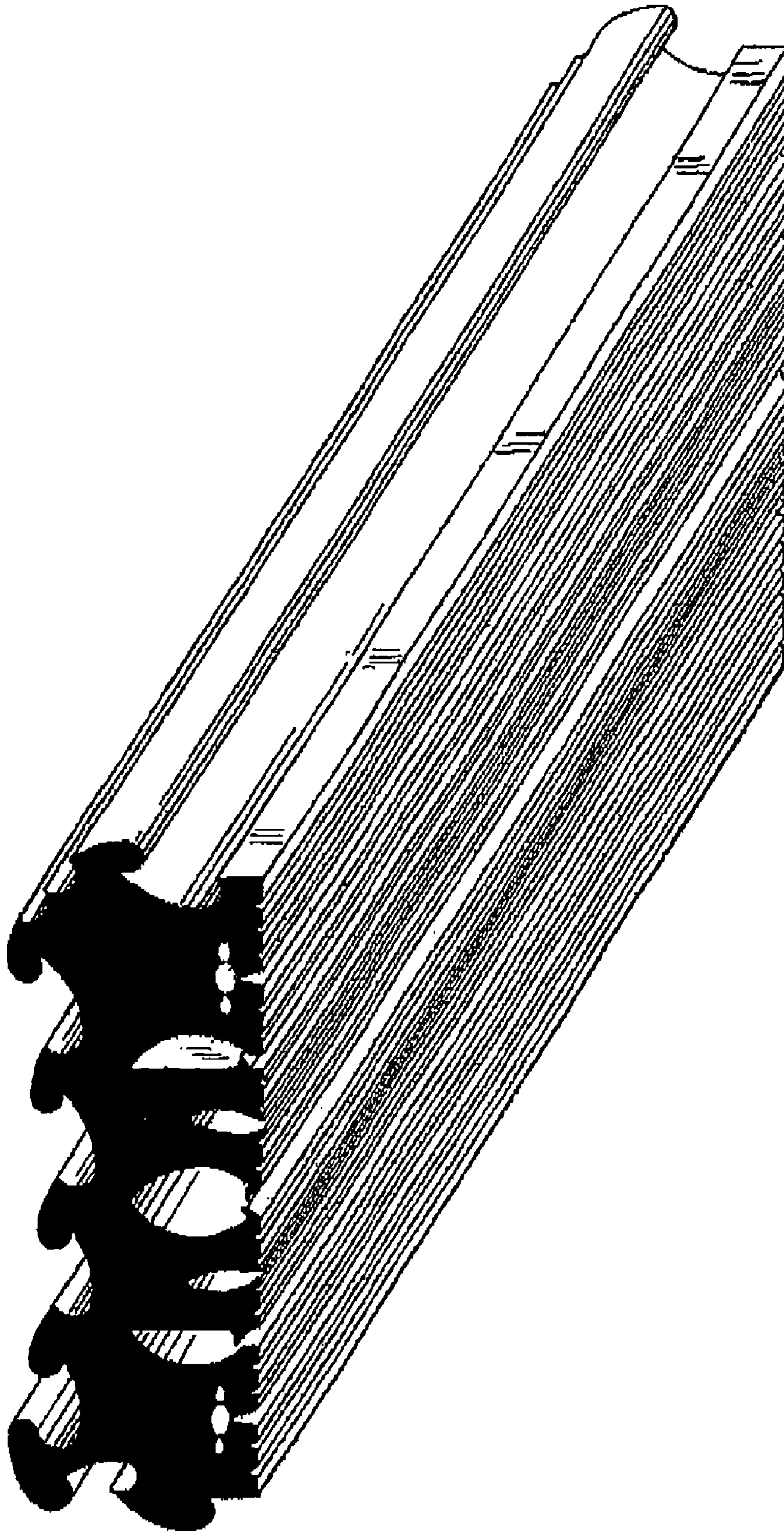


FIG. 2



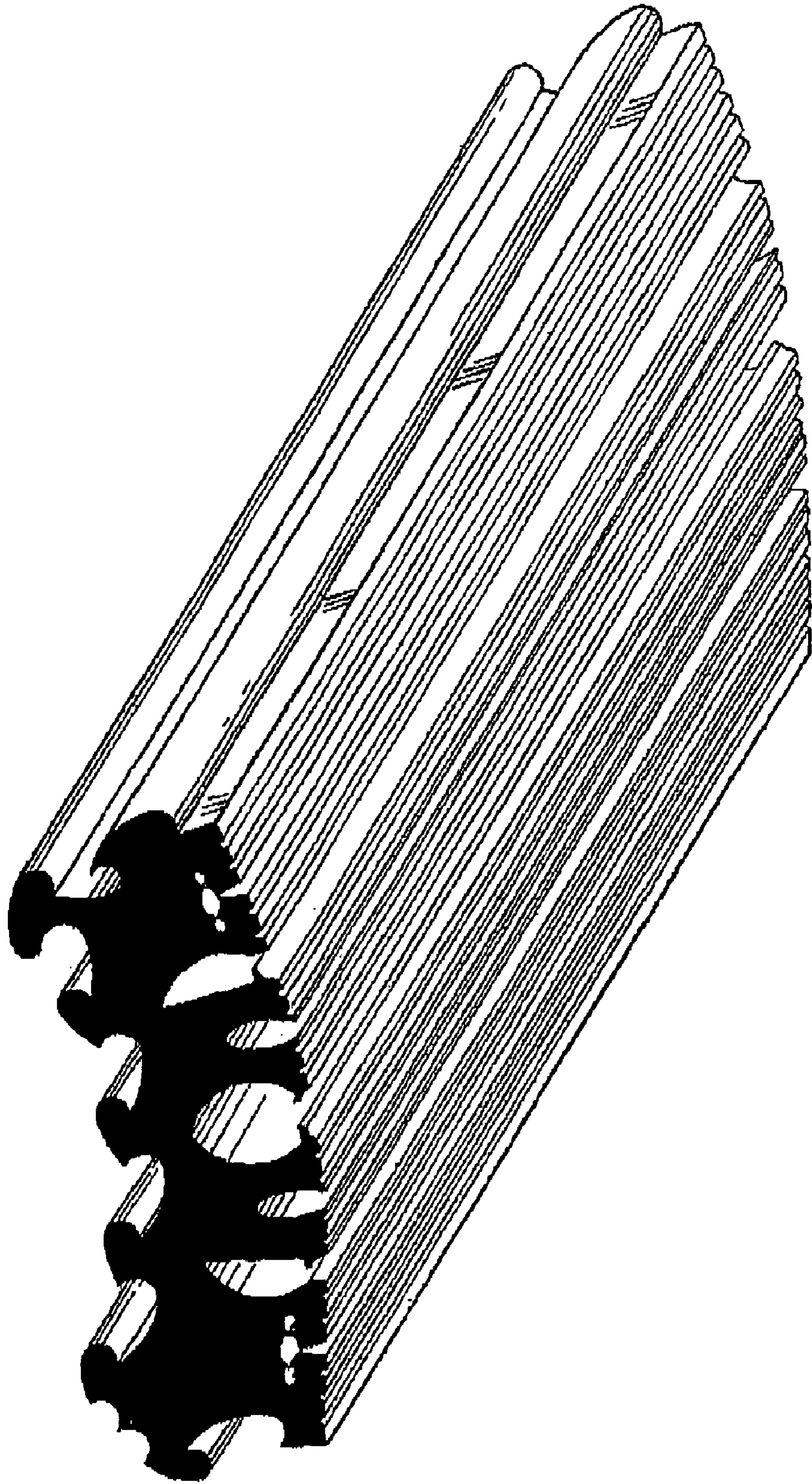


FIG. 3

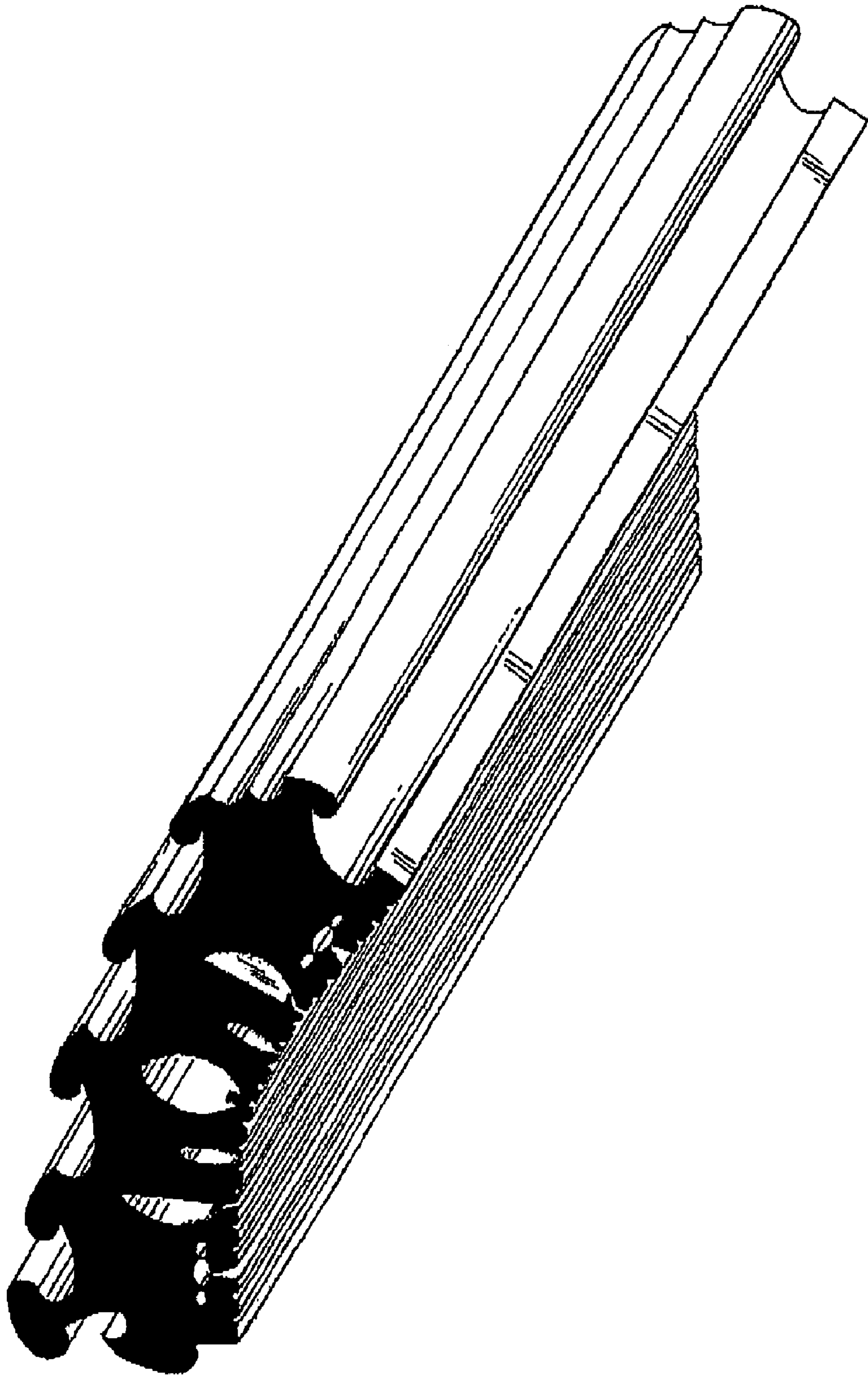


FIG. 4

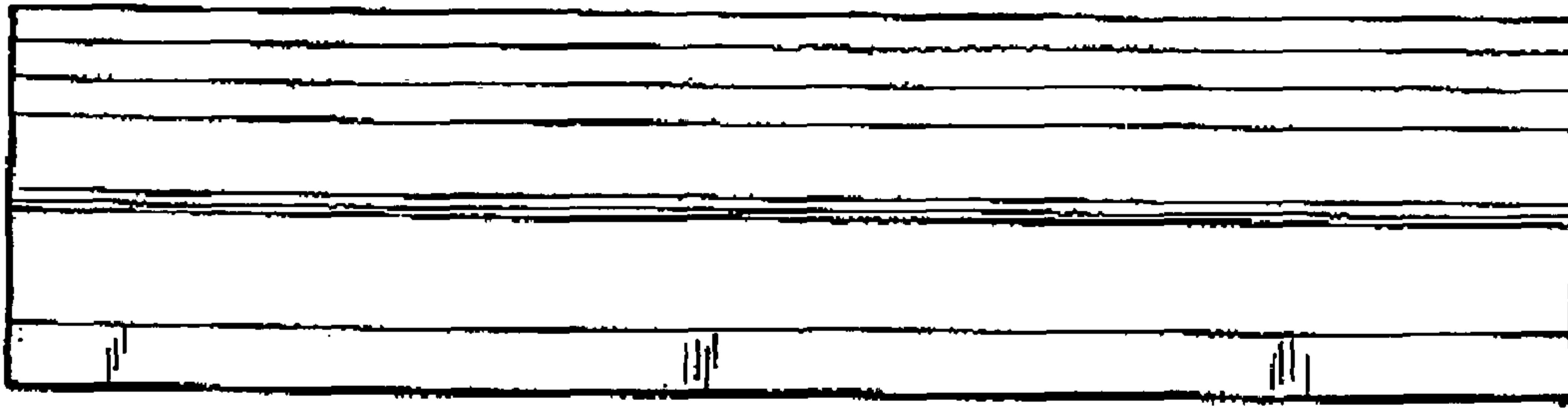


FIG. 5



FIG. 6

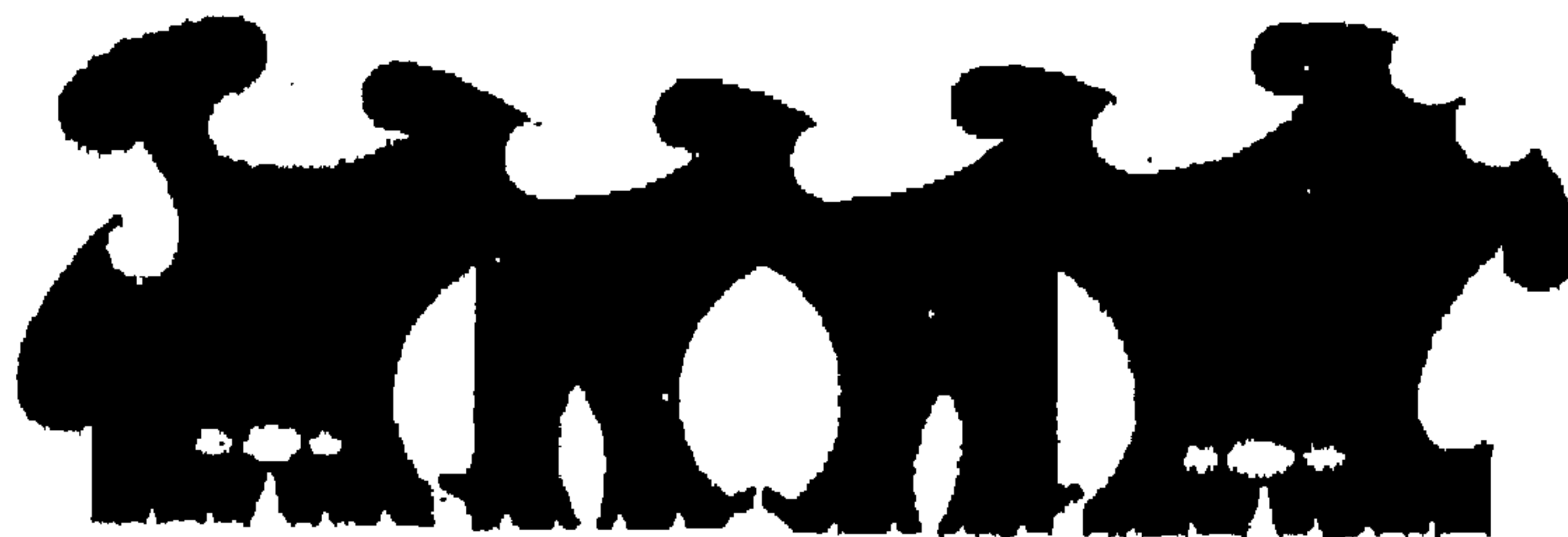


FIG. 7

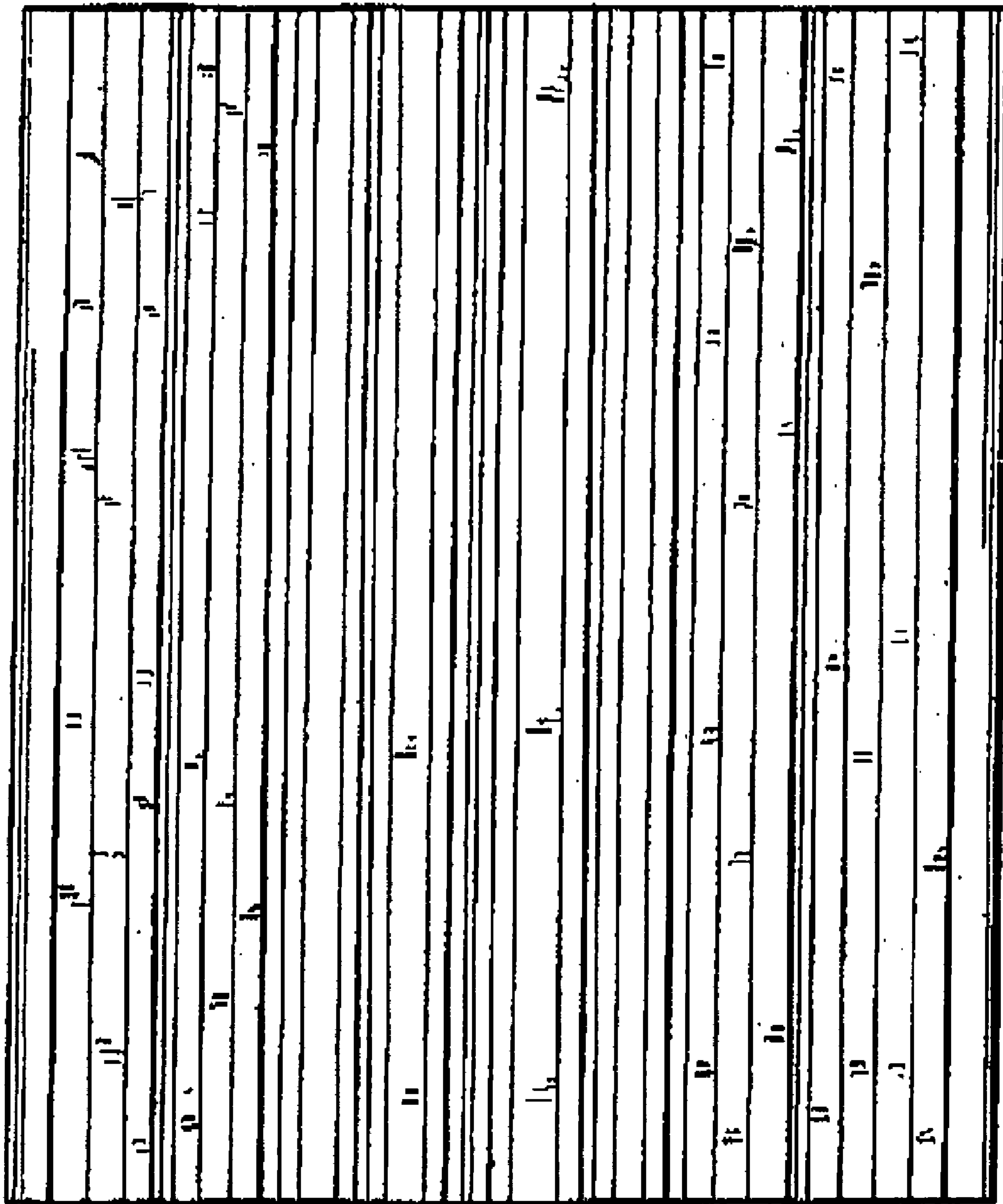


FIG. 8



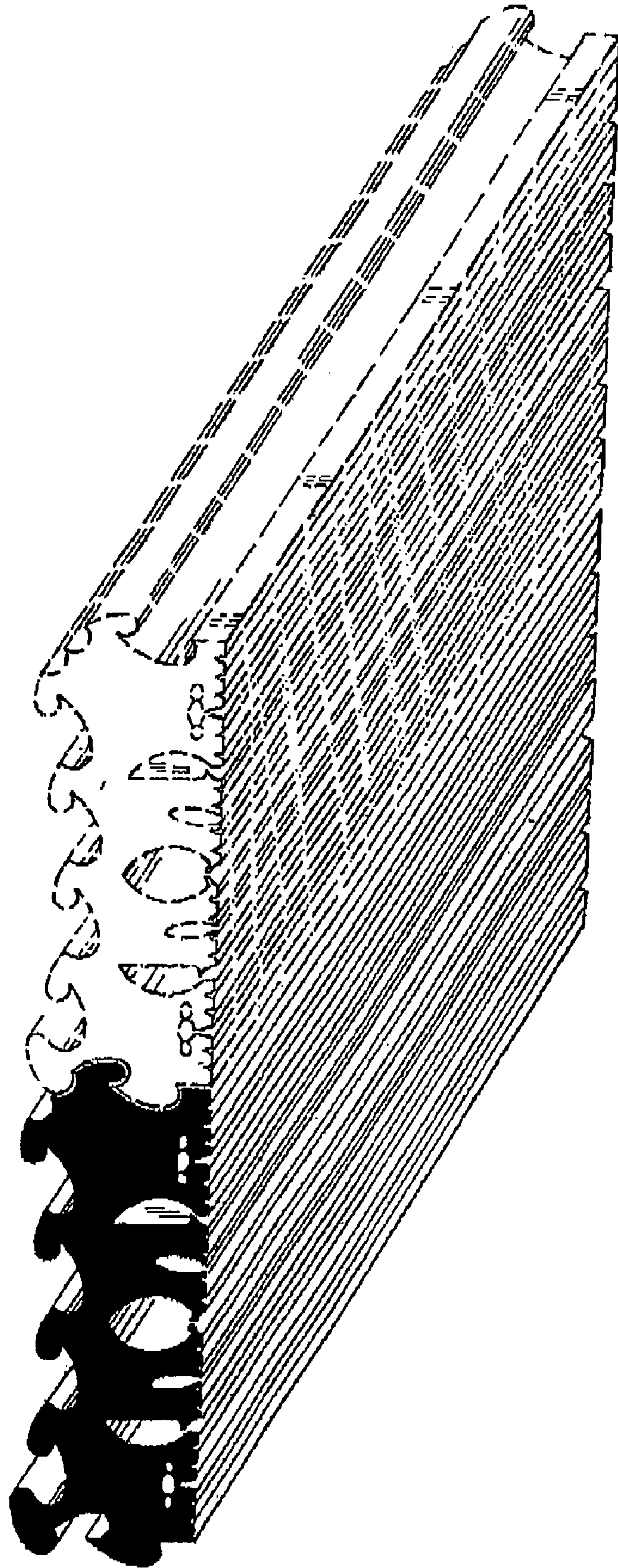


FIG.9



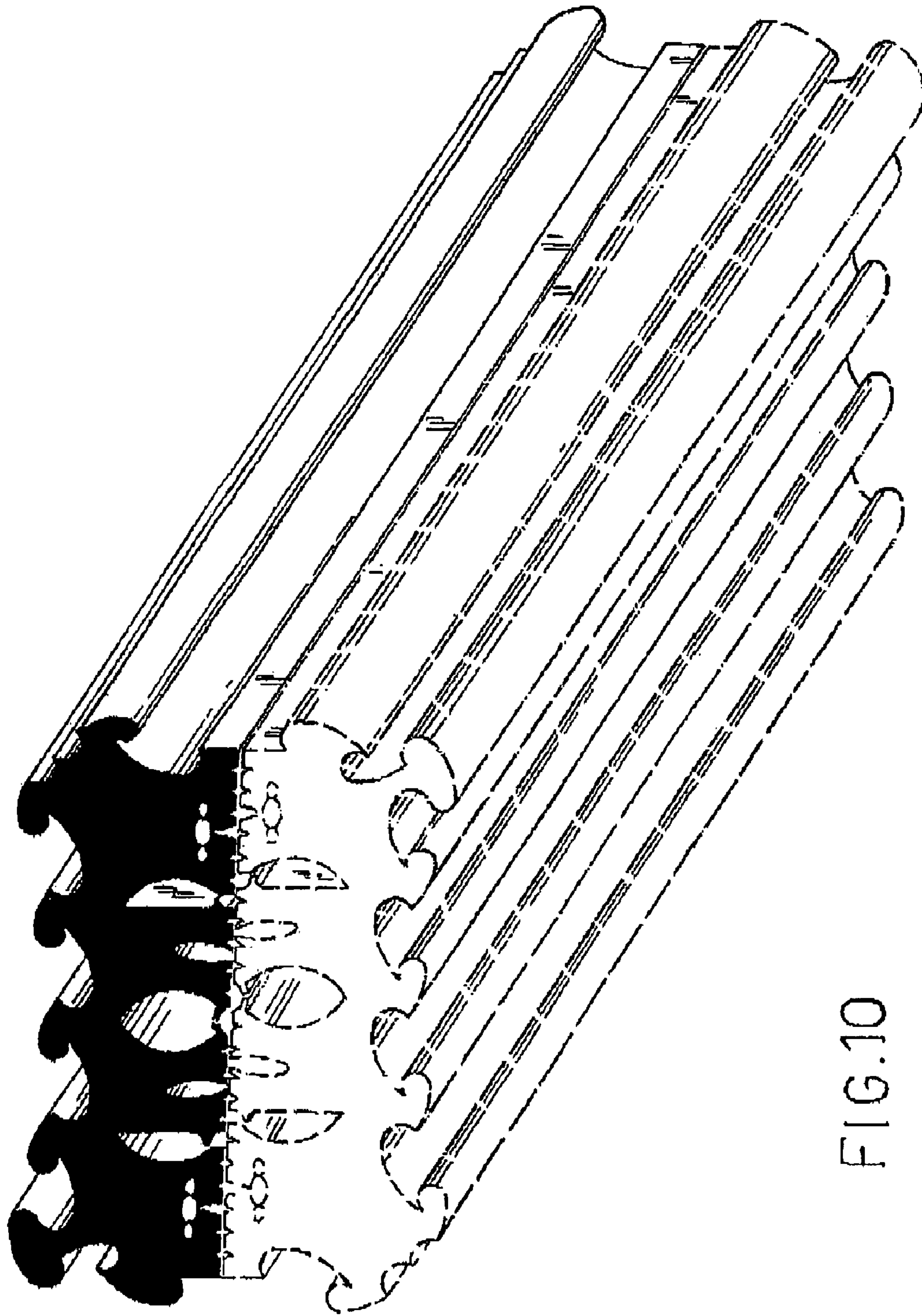


FIG.10

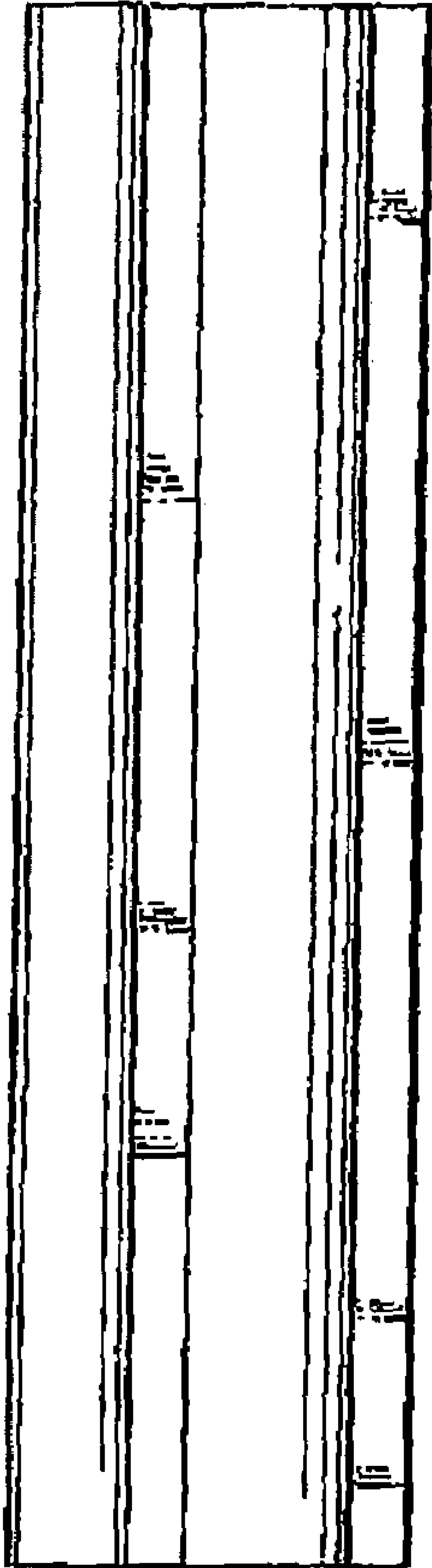


FIG 11