



US00D574071S

(12) **United States Design Patent**
Dabrowski

(10) **Patent No.:** **US D574,071 S**
(45) **Date of Patent:** **** Jul. 29, 2008**

(54) **WALL-MOUNTED FIREPLACE**

(76) Inventor: **Jaroslaw Dabrowski**, ul. Bydgoska 38,
Brzoza (PL) 86-061

(**) Term: **14 Years**

(21) Appl. No.: **29/287,405**

(22) Filed: **Aug. 1, 2007**

(51) **LOC (8) Cl.** **23-03**

(52) **U.S. Cl.** **D23/344**

(58) **Field of Classification Search** D23/332,
D23/342-345, 350, 404; 126/500, 520, 523,
126/527, 536, 555, 544, 25 R, 58, 8, 512,
126/92 R

See application file for complete search history.

(56) **References Cited**

U.S. PATENT DOCUMENTS

D267,584 S *	1/1983	Hilker	D23/344
D288,595 S *	3/1987	Craver	D23/344
D308,569 S *	6/1990	Tomlinson	D23/342
D348,726 S *	7/1994	Wilson	D23/344

D421,647 S *	3/2000	Heger	D23/339
7,234,932 B2 *	6/2007	Streit	431/125
2005/0076902 A1 *	4/2005	Lyons et al.	126/500

* cited by examiner

Primary Examiner—Louis S Zarfaz
Assistant Examiner—Eric L Goodman

(57) **CLAIM**

The ornamental design for a wall-mounted fireplace, as shown and described.

DESCRIPTION

FIG. 1 is a perspective view of a wall-mounted fireplace showing my new design;

FIG. 2 is a front elevational view thereof;

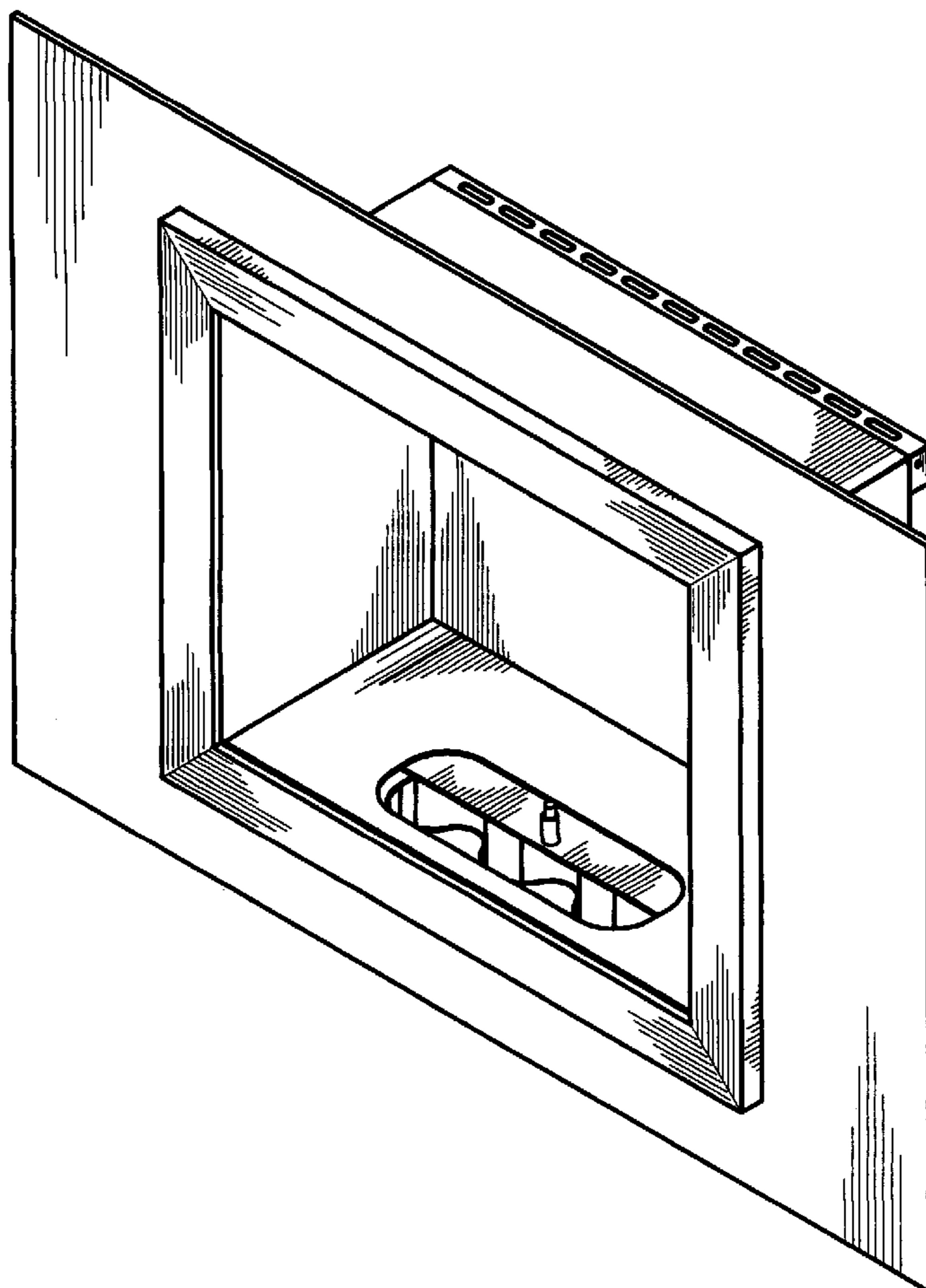
FIG. 3 is a right side elevational view thereof, the left side being a mirror image;

FIG. 4 is a bottom plan view thereof;

FIG. 5 is a top plan view thereof; and,

FIG. 6 is a rear elevational view thereof.

1 Claim, 5 Drawing Sheets



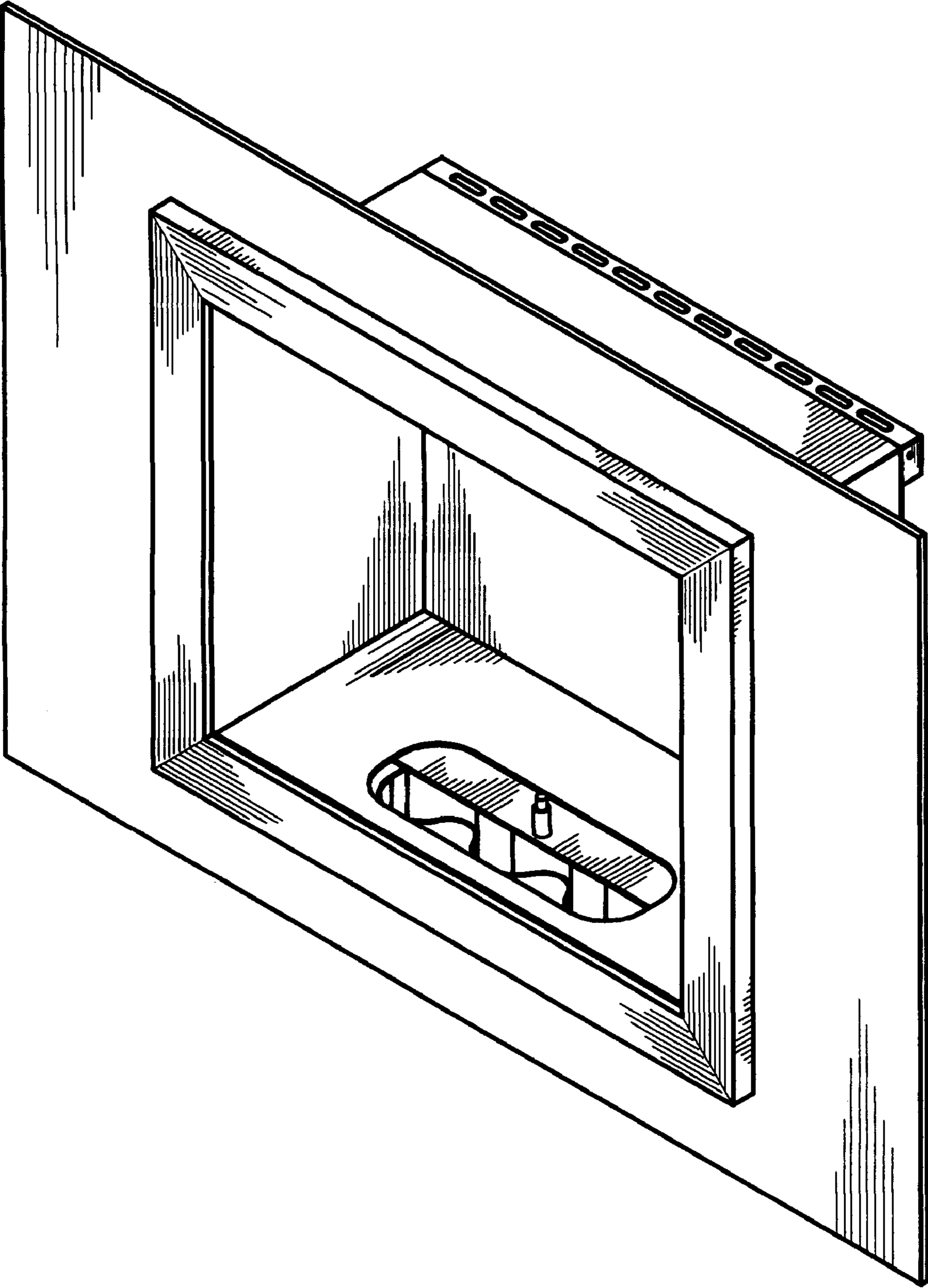


Fig. 1

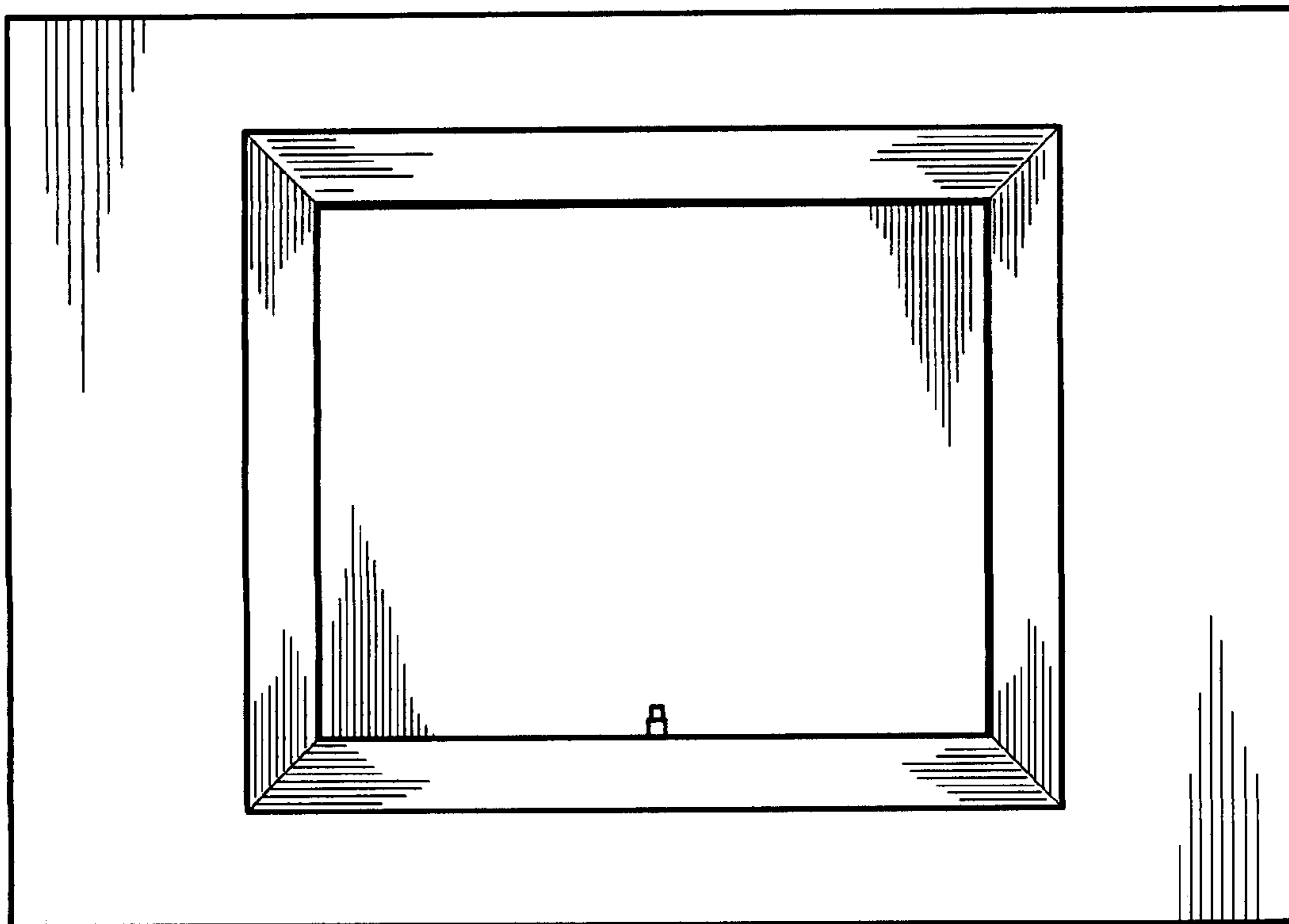


Fig. 2

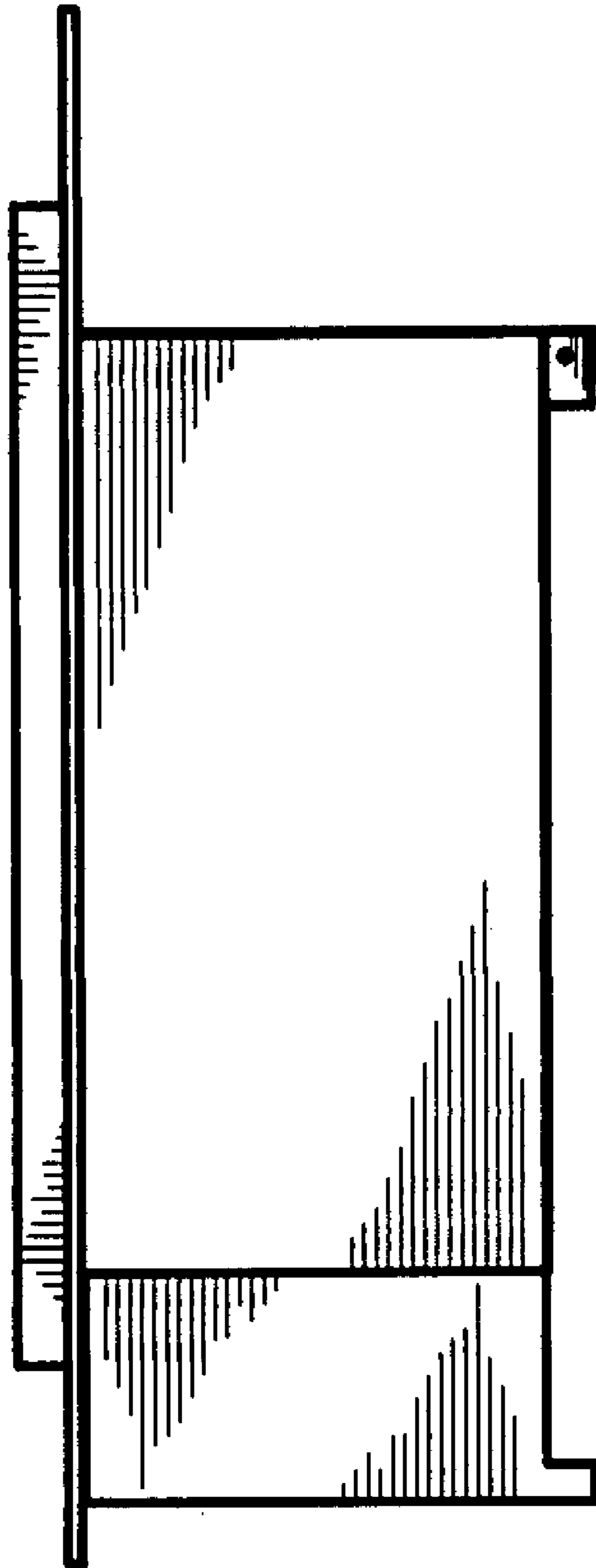


Fig. 3

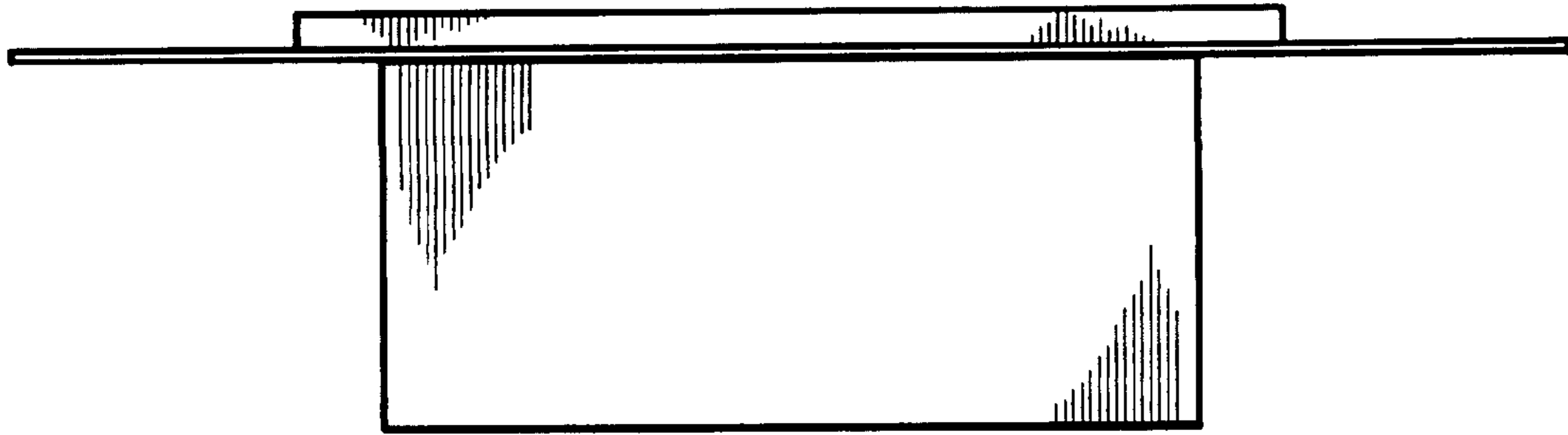


Fig. 4

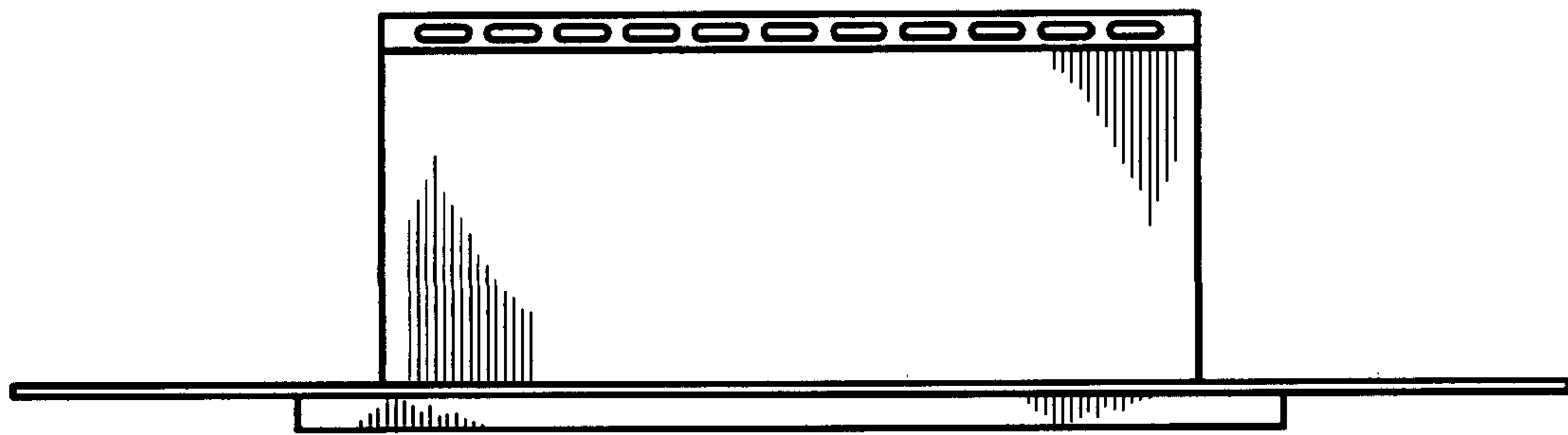


Fig. 5

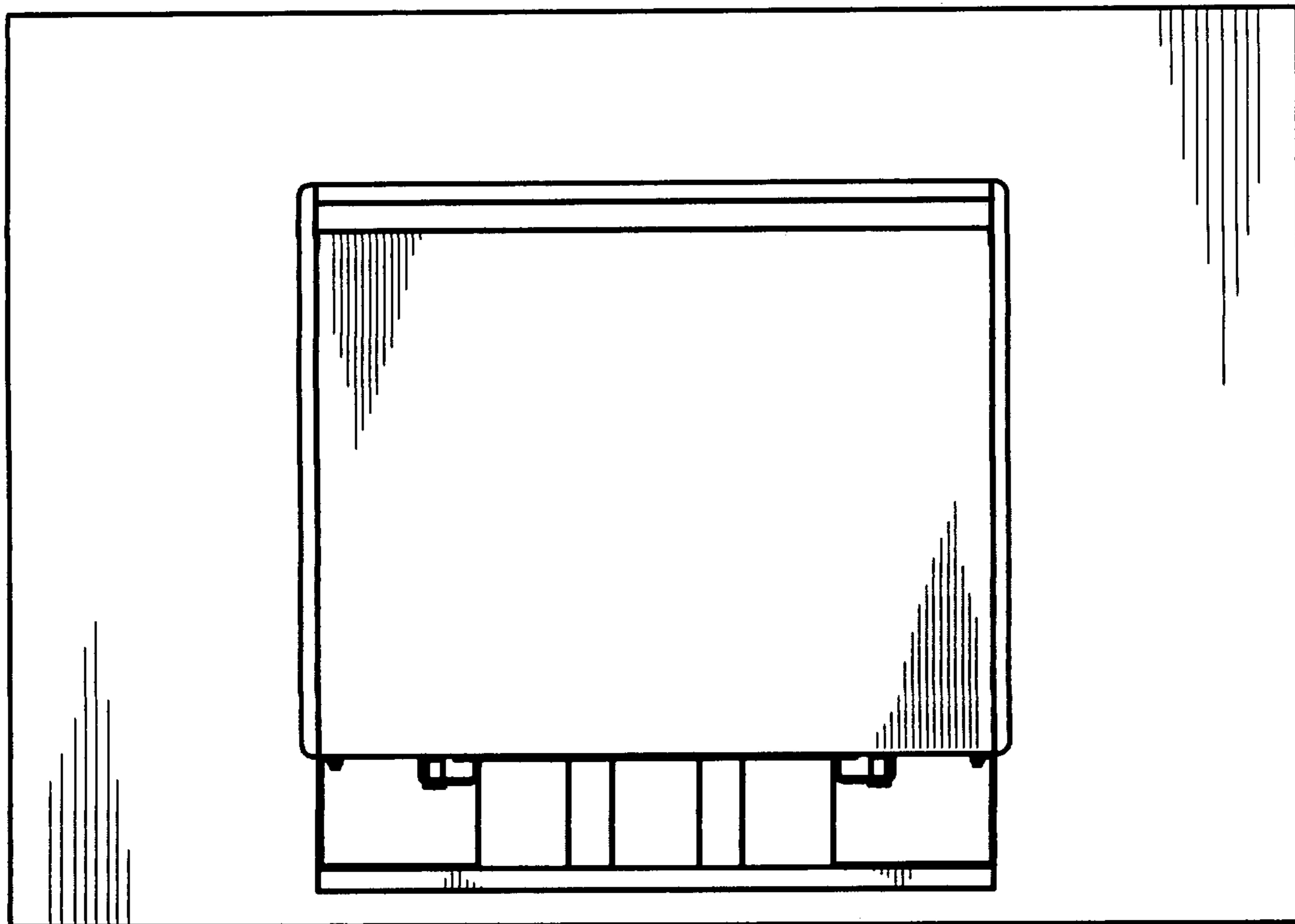


Fig. 6