



US00D574070S

(12) **United States Design Patent**  
**Dabrowski**

(10) **Patent No.:** **US D574,070 S**

(45) **Date of Patent:** **\*\* Jul. 29, 2008**

(54) **FREE-STANDING FIREPLACE**

D385,023 S \* 10/1997 Newman et al. .... D23/343  
D535,370 S \* 1/2007 Jensen ..... D23/343

(76) Inventor: **Jaroslaw Dabrowski**, 86-061 Brzoza, ul.  
Bydgoska 38, Brzoza (PL) 86-061

\* cited by examiner

(\*\*) Term: **14 Years**

*Primary Examiner*—Louis S Zarfaz  
*Assistant Examiner*—Eric L Goodman

(21) Appl. No.: **29/287,404**

(57) **CLAIM**

(22) Filed: **Aug. 1, 2007**

The ornamental design for a free-standing fireplace, as shown and described.

(51) **LOC (8) Cl.** ..... **23-03**

(52) **U.S. Cl.** ..... **D23/342; D23/332**

(58) **Field of Classification Search** ..... D23/332,  
D23/342–345, 350, 404; 126/500, 520, 523,  
126/527, 536, 555, 544, 25 R, 58, 8, 512,  
126/92 R

**DESCRIPTION**

See application file for complete search history.

FIG. 1 is a perspective view of a free-standing fireplace showing my new design;

FIG. 2 is a front elevational view thereof, the rear view being a mirror image;

FIG. 3 is a left side elevational view thereof;

FIG. 4 is a right side elevational view thereof,

FIG. 5 is a top plan view thereof; and,

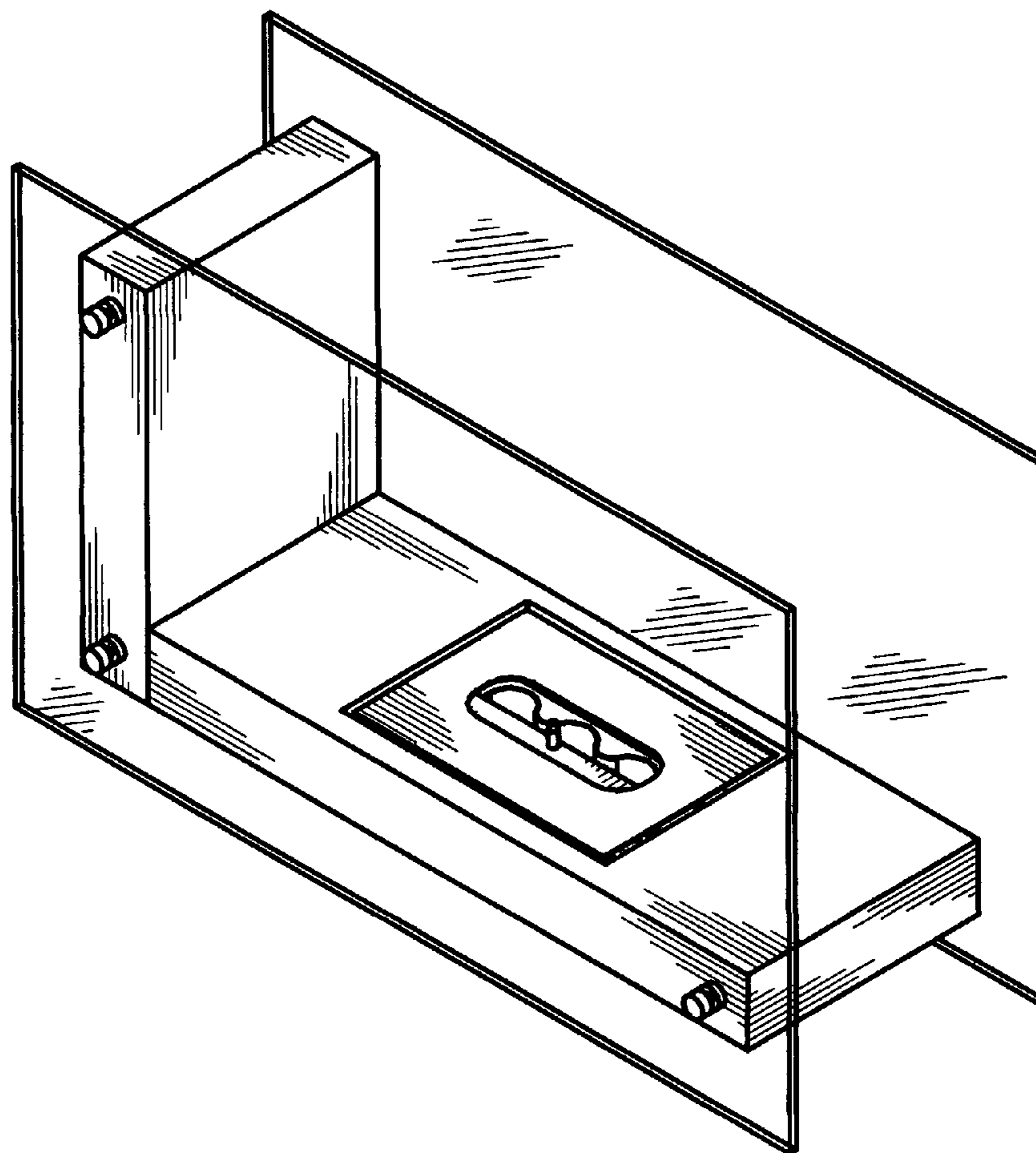
FIG. 6 is a bottom plan view thereof.

(56) **References Cited**

**U.S. PATENT DOCUMENTS**

D235,447 S \* 6/1975 Lever ..... D23/350  
D235,868 S \* 7/1975 Bade ..... D23/350  
4,273,096 A \* 6/1981 Hannebaum ..... 126/519  
5,249,567 A \* 10/1993 Maitland et al. .... 126/519

**1 Claim, 4 Drawing Sheets**



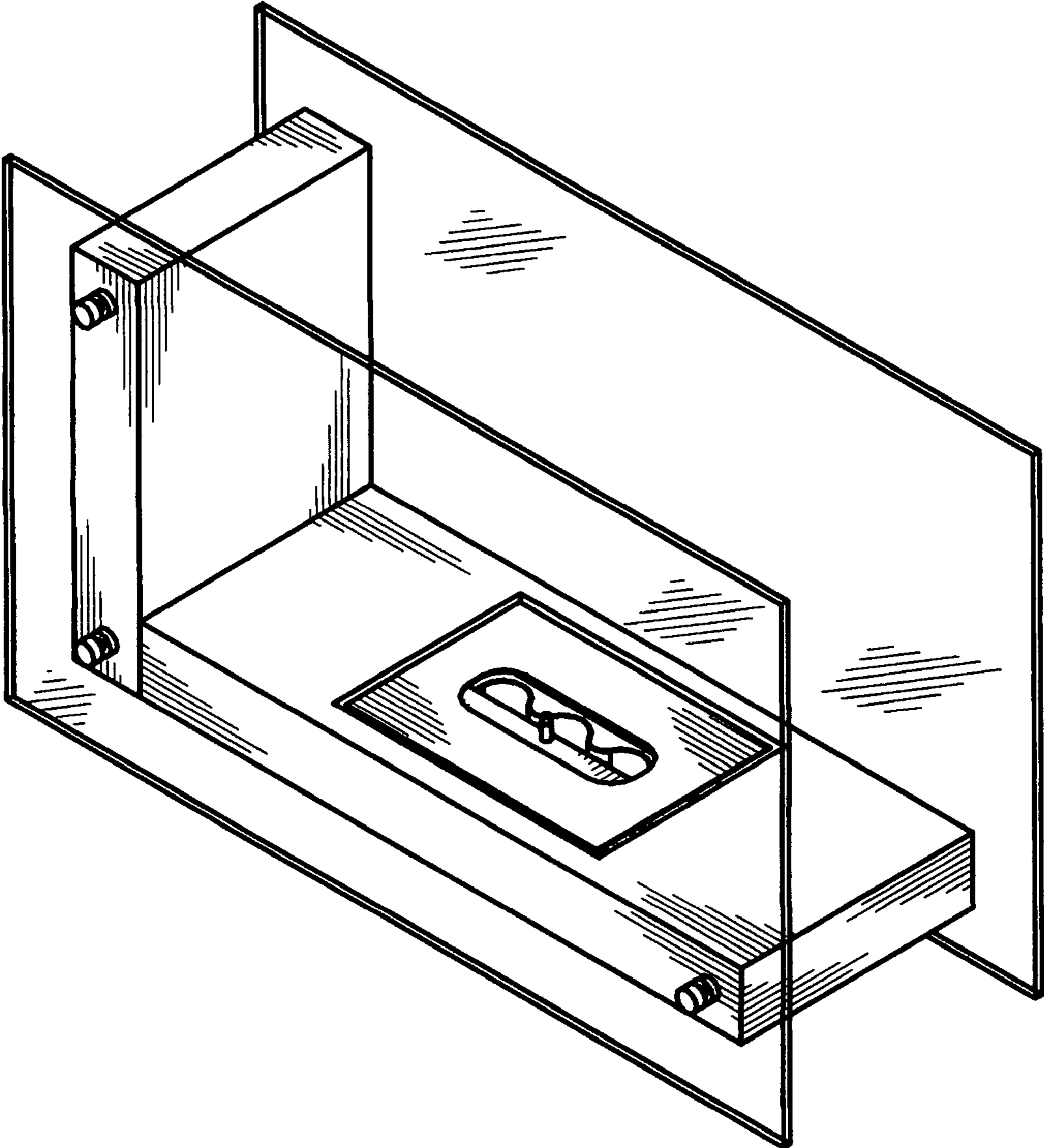


Fig. 1

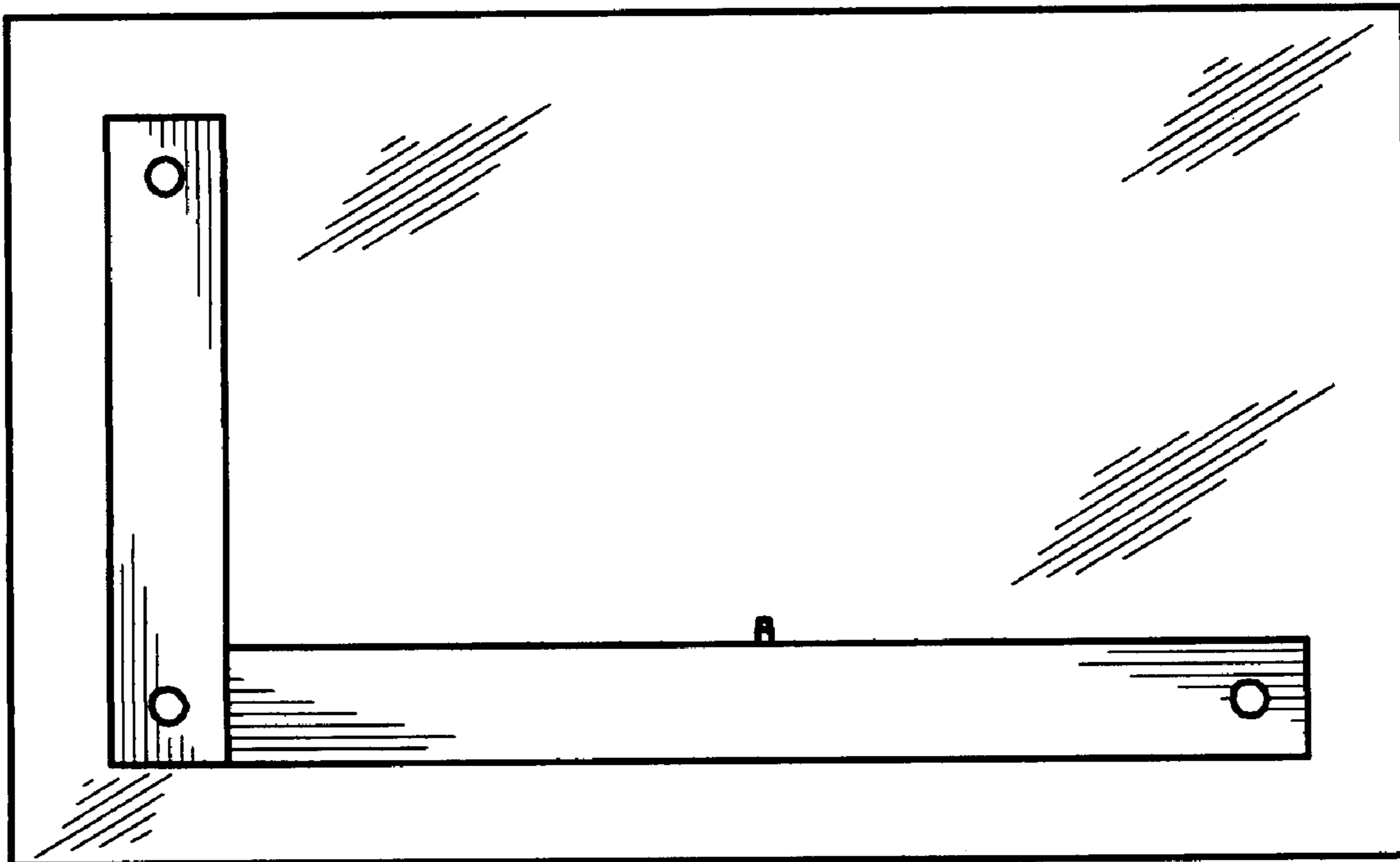


Fig. 2

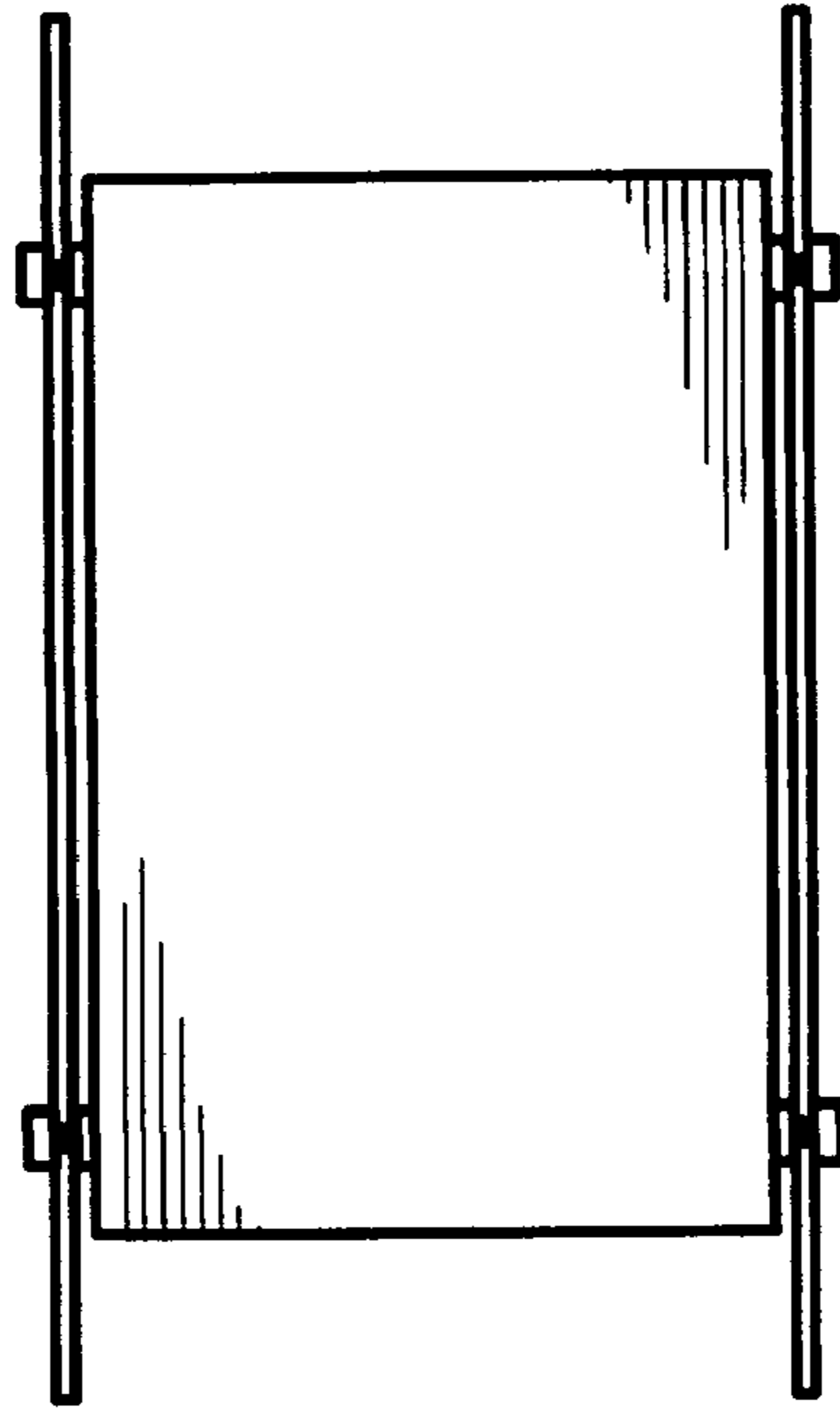


Fig. 3

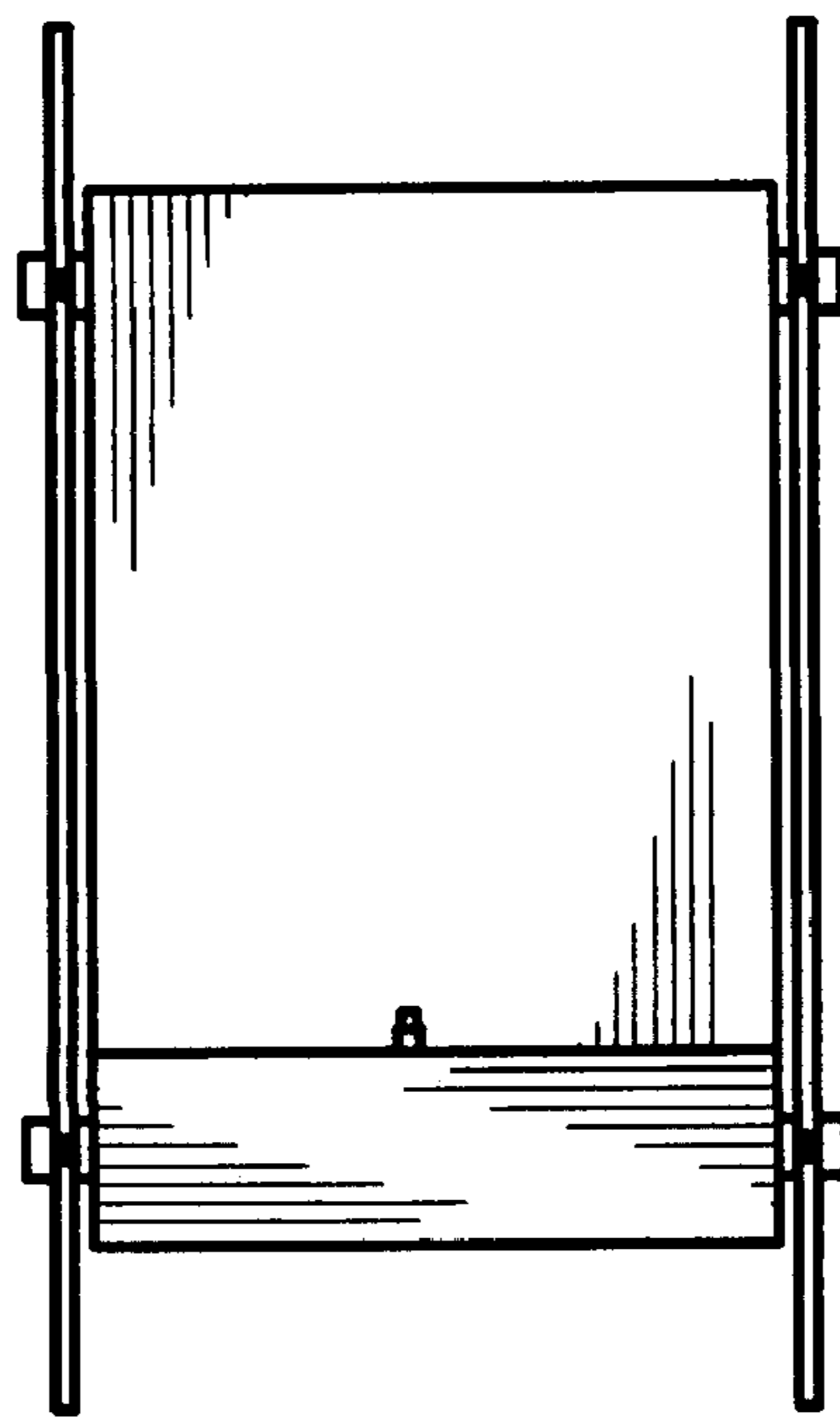


Fig. 4

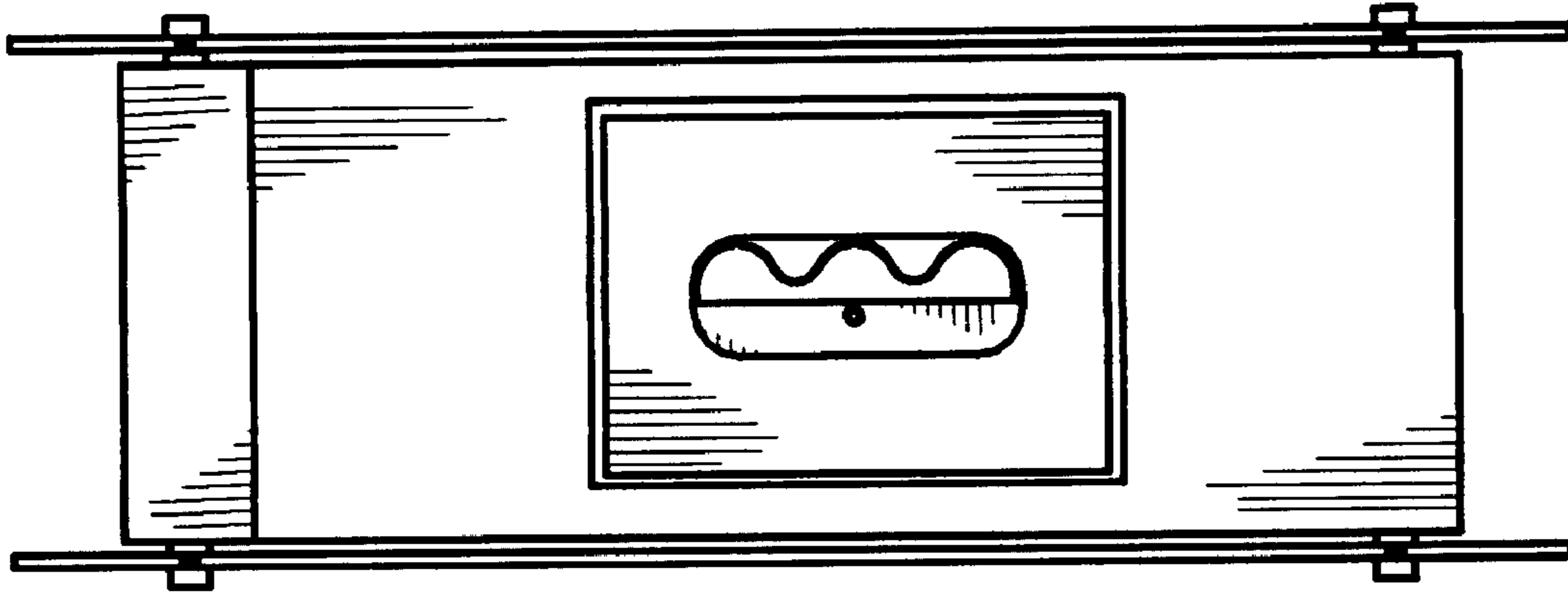


Fig. 5

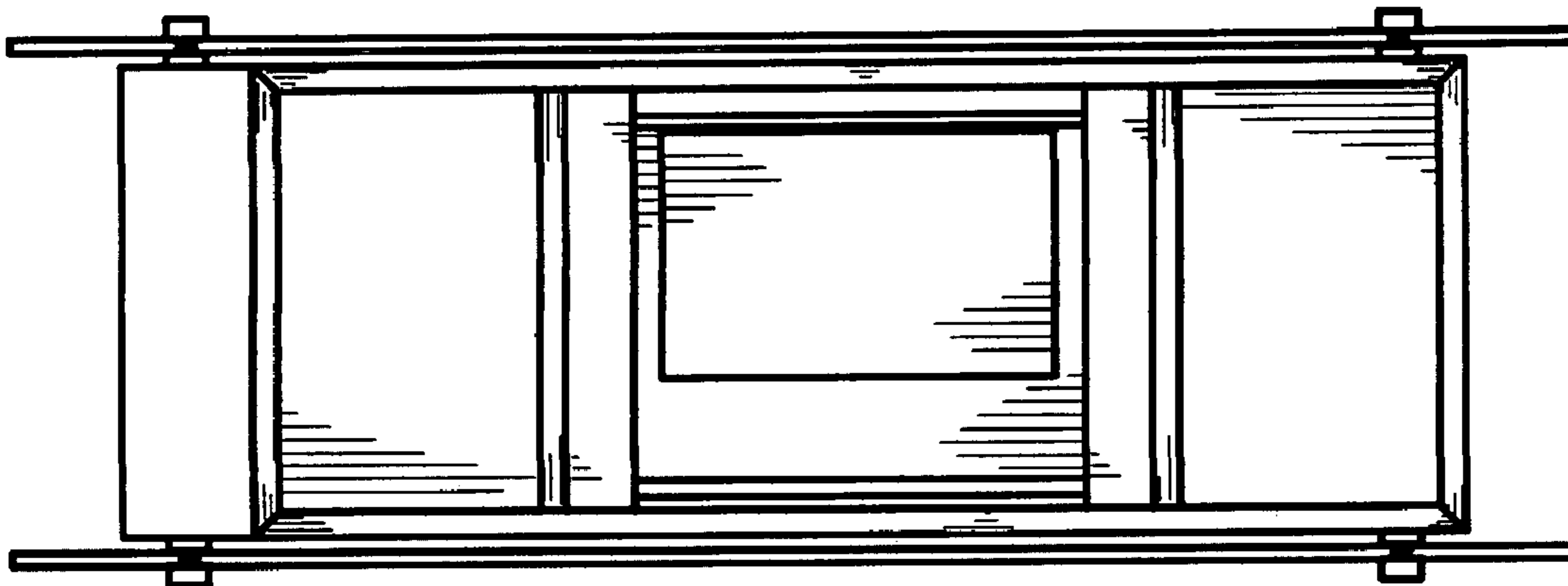


Fig. 6