



US00D574069S

(12) **United States Design Patent**
De Lima

(10) **Patent No.:** **US D574,069 S**
(45) **Date of Patent:** **** Jul. 29, 2008**

(54) **CYLINDRICAL SHAPED TOILET AND
RECTANGULAR PRISM SHAPED TANKS
COMBINATIONS**

D355,056 S * 1/1995 Burnet D23/301
D429,320 S * 8/2000 Reynolds D23/296
6,775,860 B2 * 8/2004 Unruh 4/460

(76) Inventor: **Ana Paula Babo Pedroso De Lima**, Rua
São Lourenço 135, Carapicuíba, São
Paulo (BR) 06351-060

* cited by examiner

Primary Examiner—Robert A. Delehanty

(**) Term: **14 Years**

(57) **CLAIM**

(21) Appl. No.: **29/274,137**

The ornamental design of a FIG. 1 is a cylindrical shaped toilet and rectangular prism shaped tanks combinations.

(22) Filed: **Mar. 30, 2007**

DESCRIPTION

(51) **LOC (8) Cl.** **23-02**

(52) **U.S. Cl.** **D23/299**

(58) **Field of Classification Search** D23/273–274,
D23/295–301, 303, 309; 4/663–665, 300,
4/329, 420, 443, 661, 905, DIG. 11, DIG. 12
See application file for complete search history.

FIG. 1 is a perspective view of a first embodiment of a cylindrical shaped toilet and rectangular prism shaped tanks combinations showing my new design;

FIG. 2 is a side elevation view, the opposite side being a mirror image, thereof;

FIG. 3 is a front elevation view thereof;

FIG. 4 is a rear elevation view thereof;

FIG. 5 is a top plan view with the lid closed thereof; and,

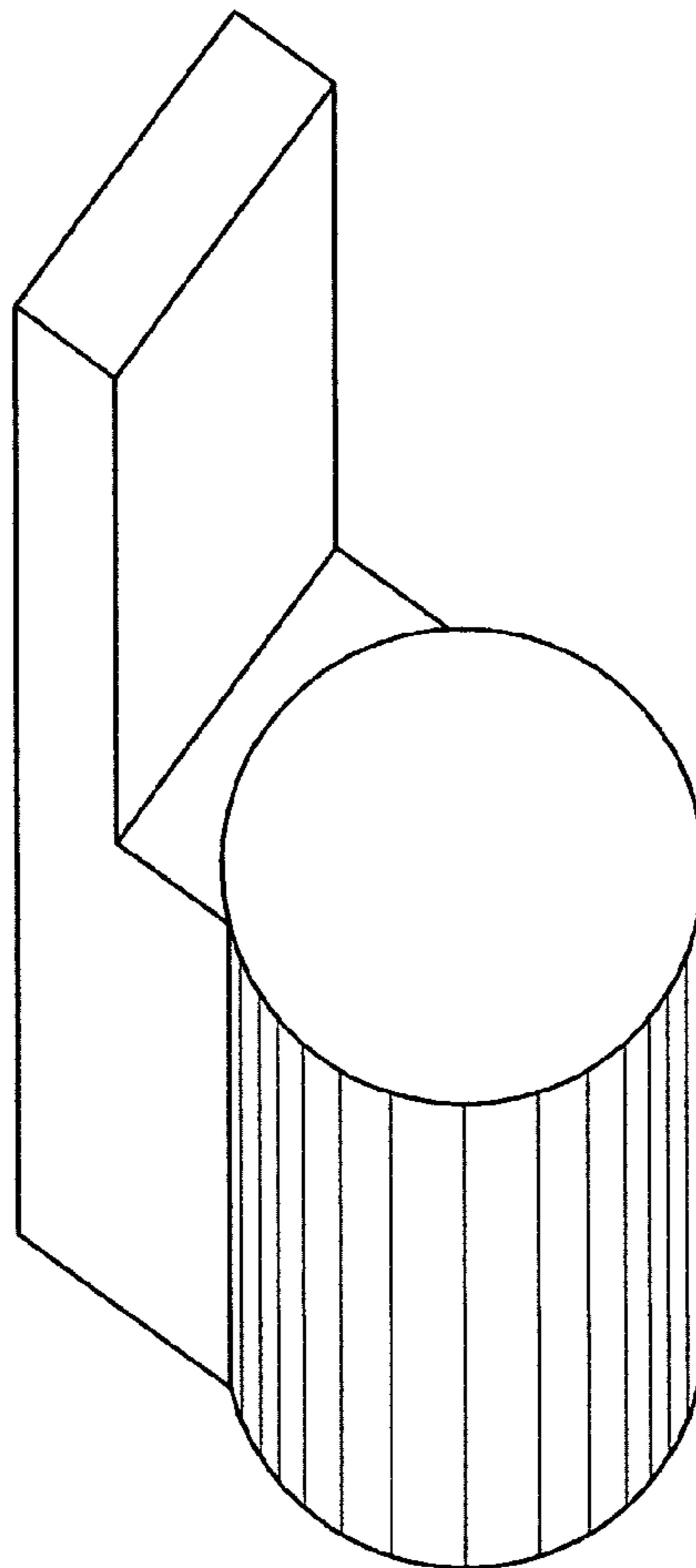
FIG. 6 is a bottom plan view thereof.

(56) **References Cited**

U.S. PATENT DOCUMENTS

D232,636 S * 9/1974 Goldsmith D23/299
D277,432 S * 2/1985 Appel et al. D6/364
D340,141 S * 10/1993 Chapman D23/303

1 Claim, 2 Drawing Sheets



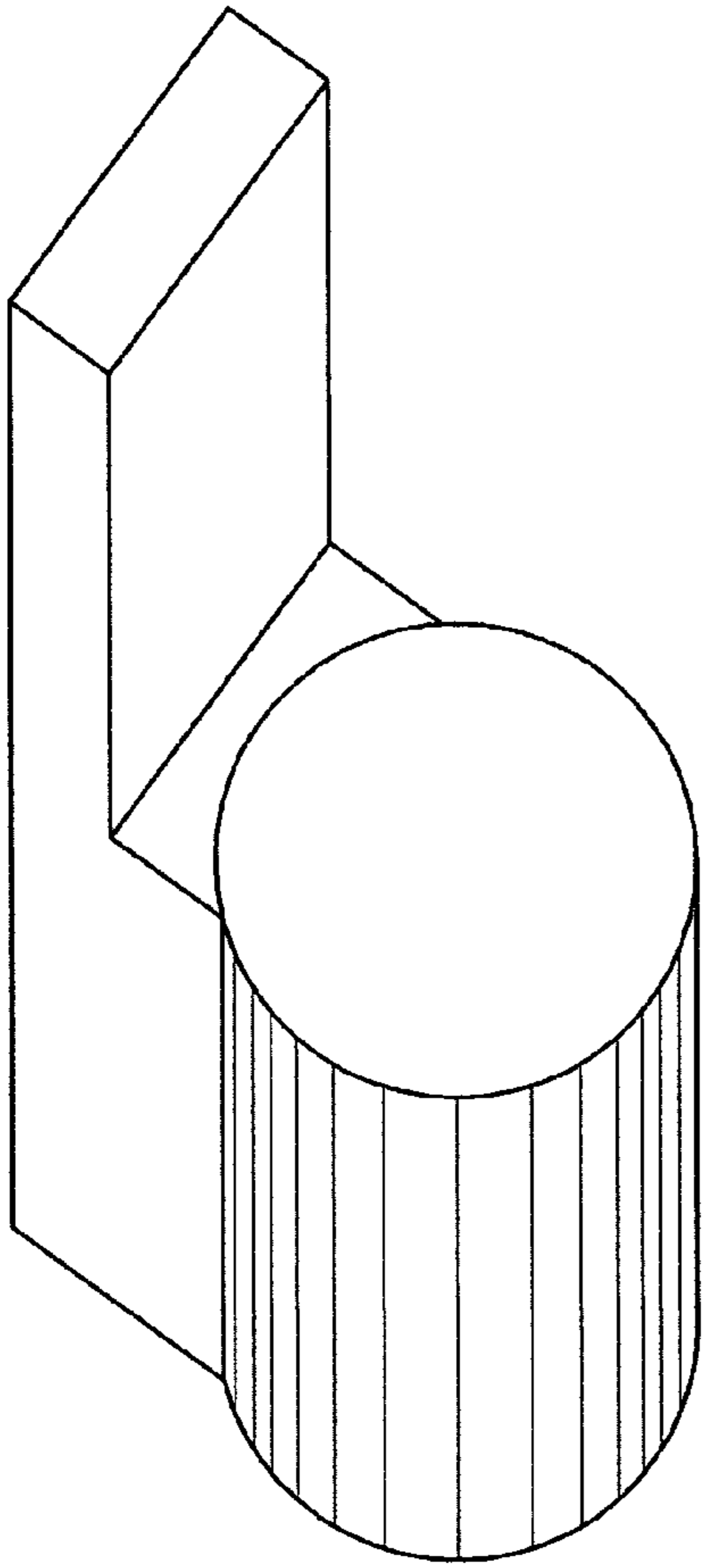


Fig. 1

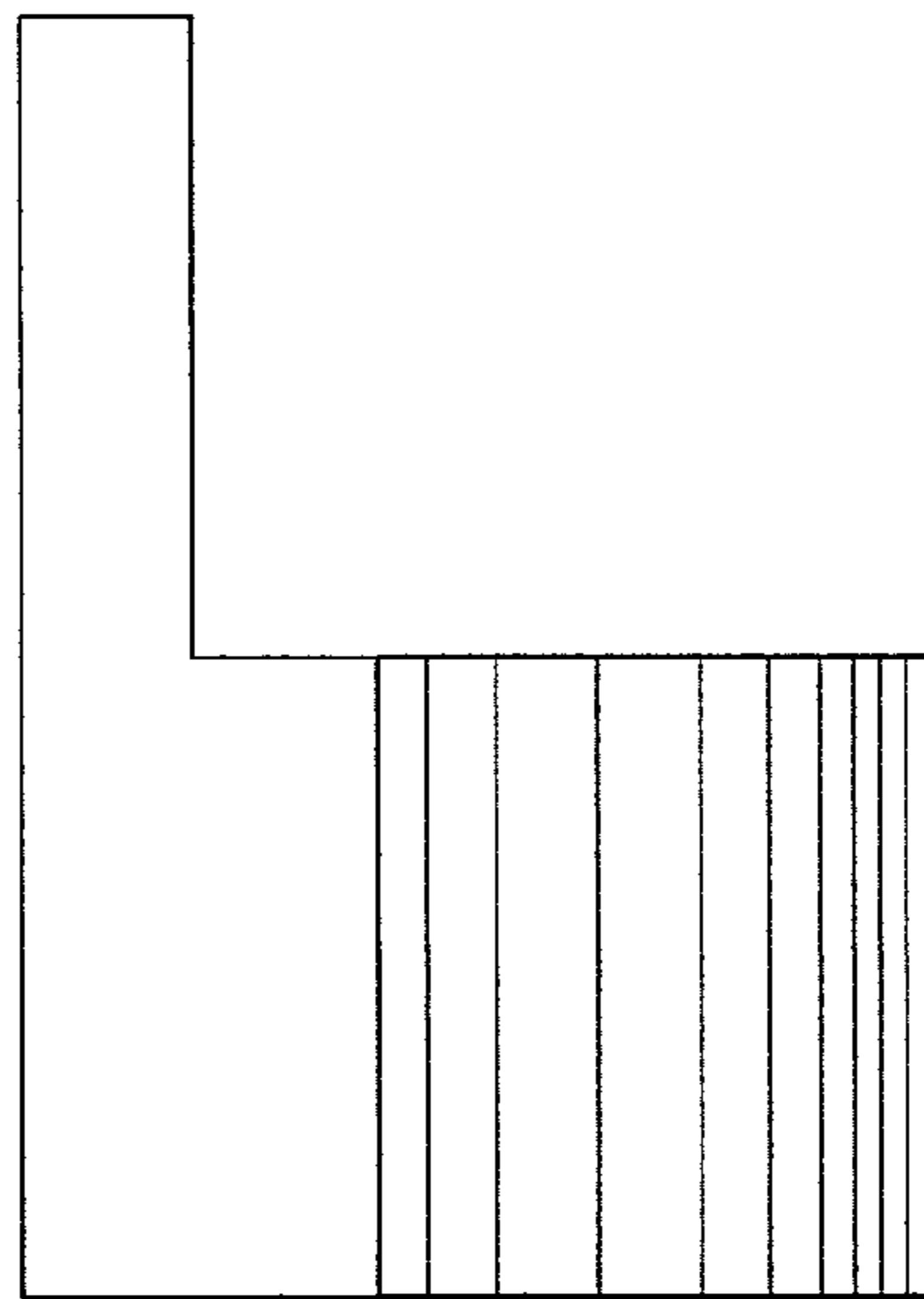


Fig. 2

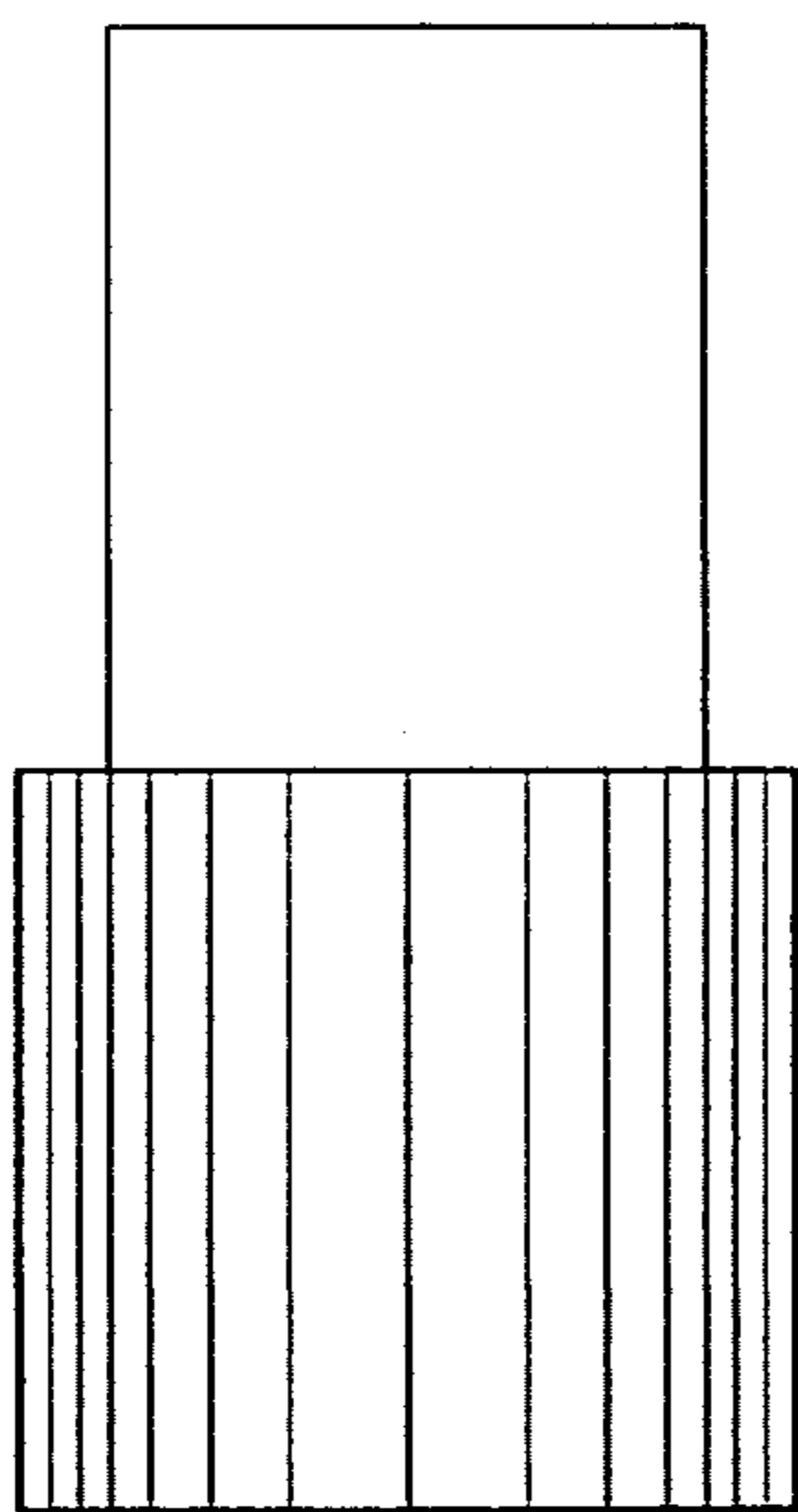


Fig. 3

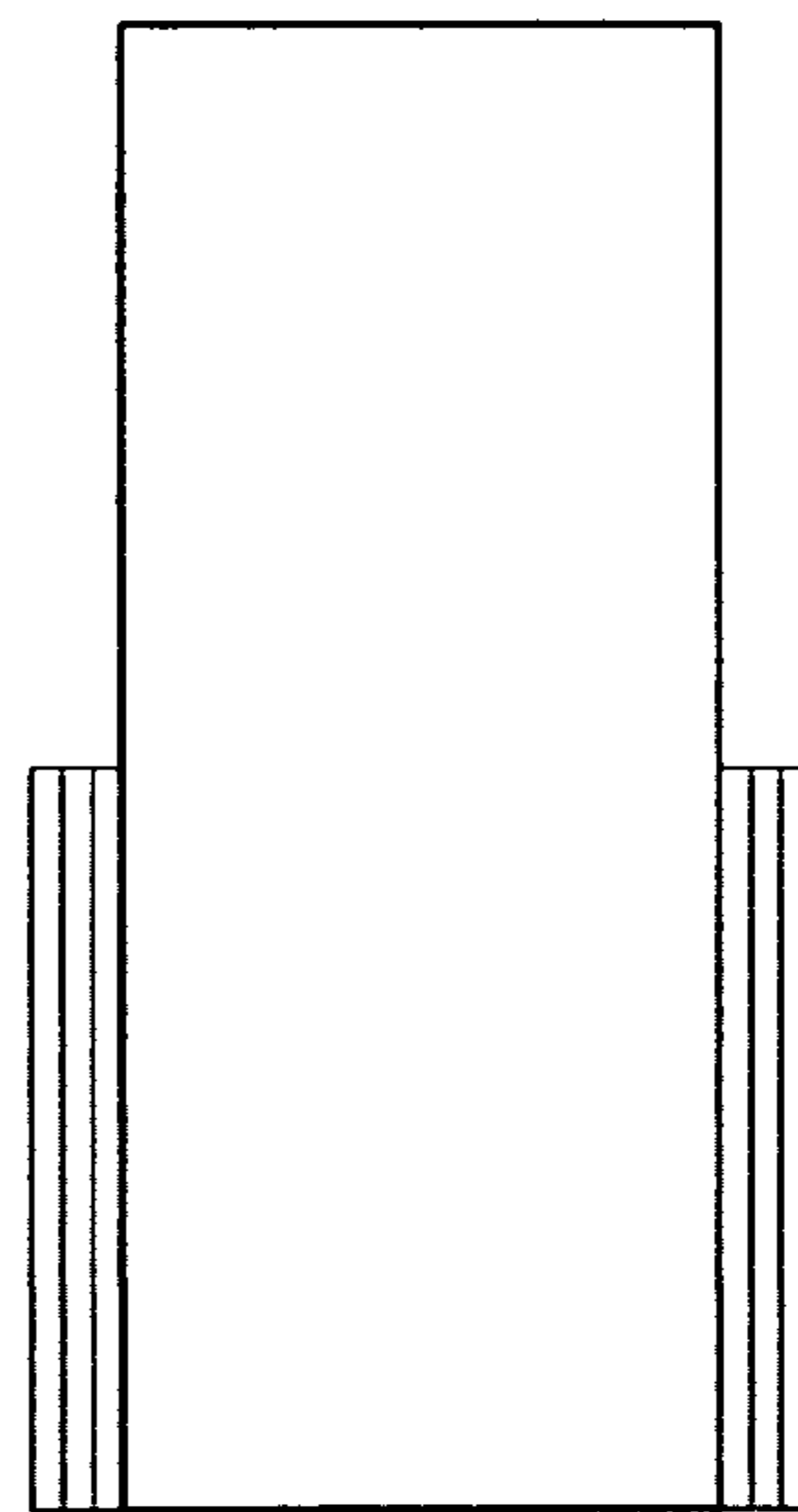


Fig. 4

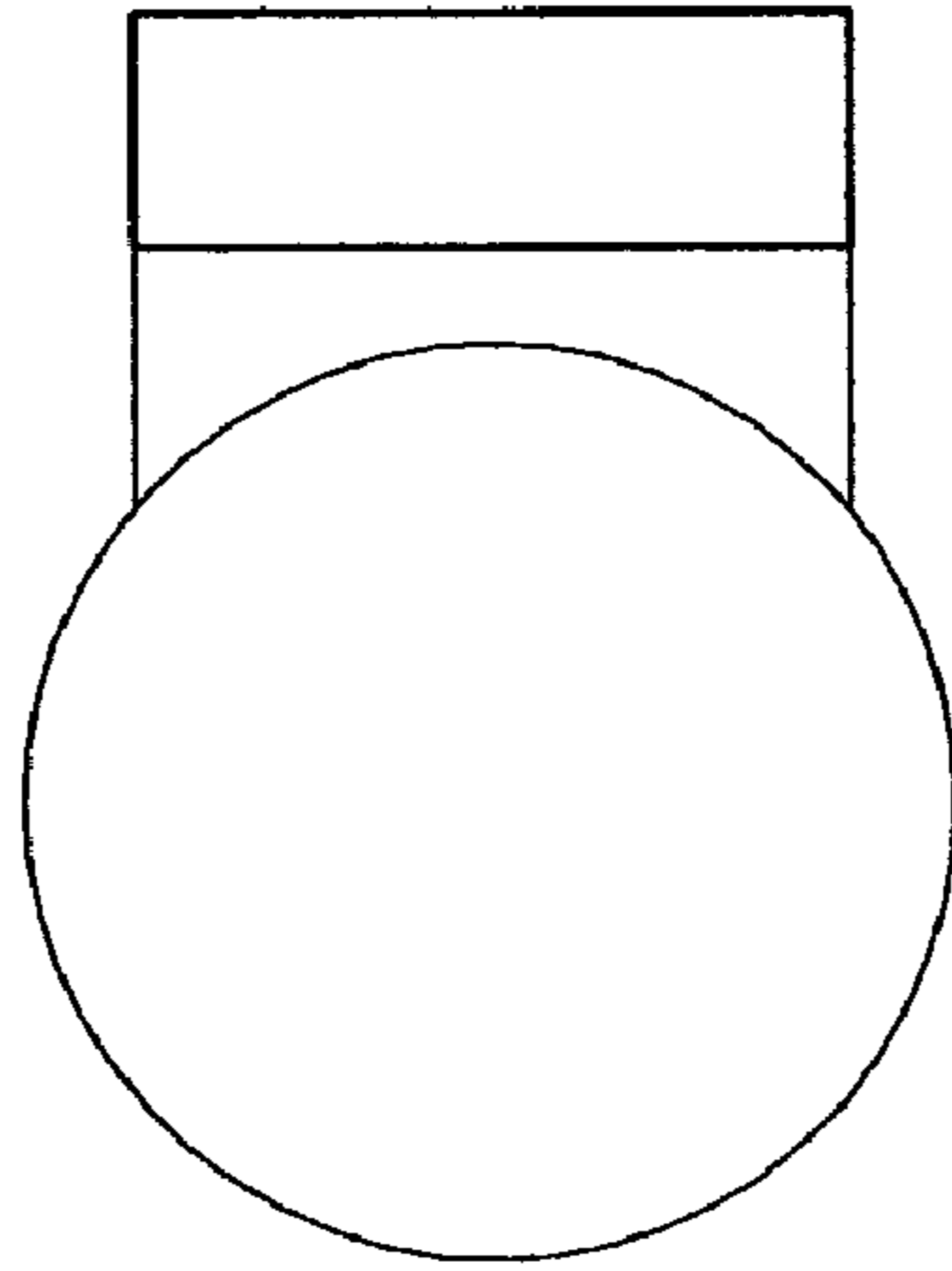


Fig. 5

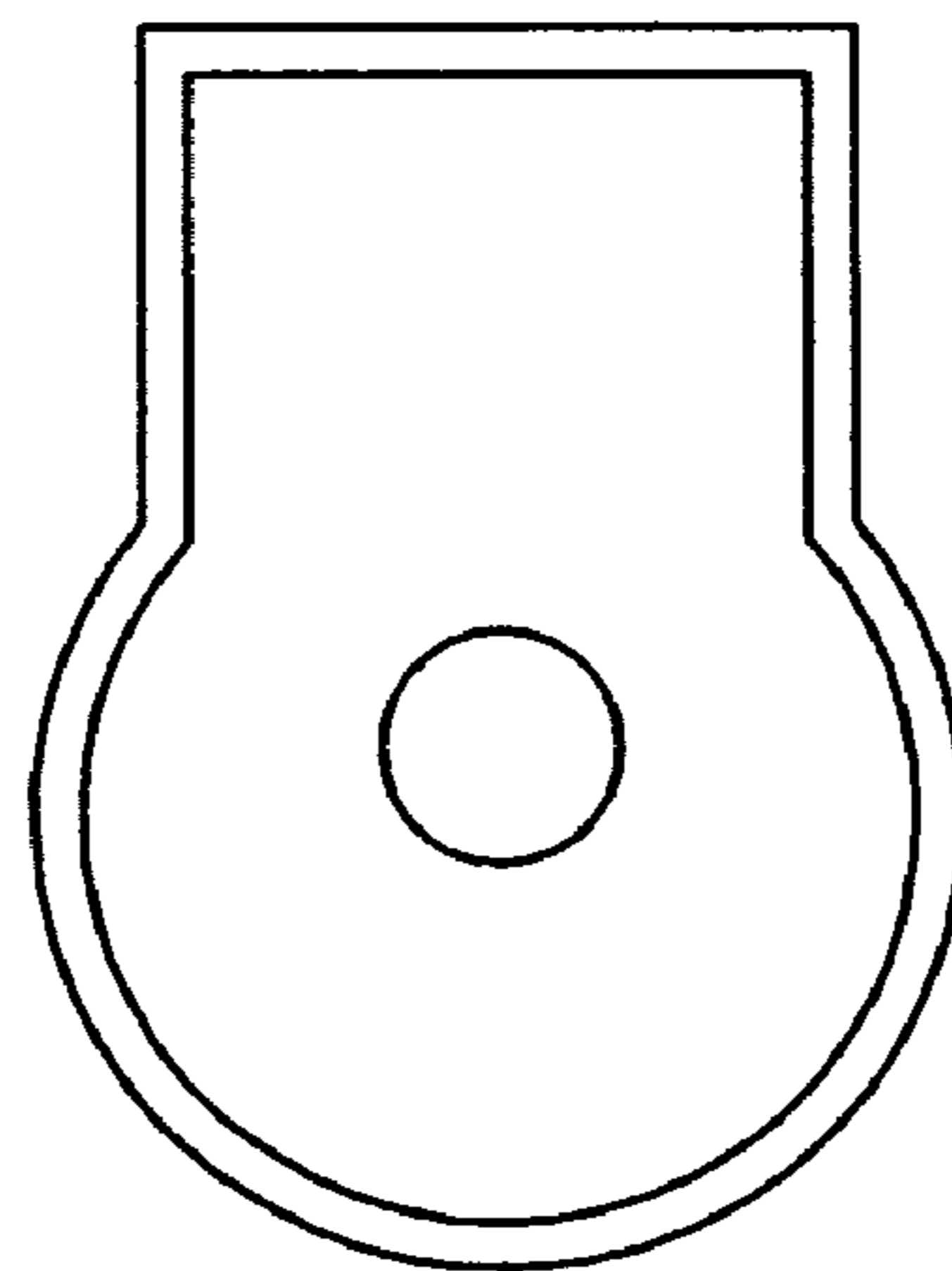


Fig. 6