



US00D574068S

(12) **United States Design Patent**
De Lima

(10) **Patent No.:** **US D574,068 S**
(45) **Date of Patent:** **** Jul. 29, 2008**

(54) **SEMI CYLINDRICAL SHAPED TOILET AND RECTANGULAR PRISM SHAPED TANKS COMBINATIONS**

(76) Inventor: **Ana Paula Babo Pedroso De Lima**, Rua São Lourenço 135, Carapicuíba, São Paulo (BR) 06351-060

(**) Term: **14 Years**

(21) Appl. No.: **29/274,136**

(22) Filed: **Mar. 30, 2007**

(51) **LOC (8) Cl.** **23-02**

(52) **U.S. Cl.** **D23/299**

(58) **Field of Classification Search** D23/273-274, D23/295-301, 303, 309; 4/663-665, 300, 4/329, 420, 443, 661, 905, DIG. 11, DIG. 12
See application file for complete search history.

(56) **References Cited**

U.S. PATENT DOCUMENTS

5,400,443	A *	3/1995	Marino	4/300
D429,320	S *	8/2000	Reynolds	D23/296
D469,521	S *	1/2003	Cummings	D23/274
D509,288	S *	9/2005	Gordon	D23/295

* cited by examiner

Primary Examiner—Robert A. Delehanty

(57) **CLAIM**

The ornamental design of a FIG. 1 is a semi cylindrical shaped toilet and rectangular prism shaped tanks combinations.

DESCRIPTION

FIG. 1 is a perspective view of a first embodiment of a semi cylindrical shaped toilet and rectangular prism shaped tanks combinations showing my new design;

FIG. 2 is a side elevation view, the opposite side being a mirror image, thereof;

FIG. 3 is a front elevation view thereof;

FIG. 4 is a rear elevation view thereof;

FIG. 5 is a top plan view with the lid closed thereof;

FIG. 6 is a bottom plan view thereof;

FIG. 7 is a perspective view of a second embodiment of a semi cylindrical shaped toilet and rectangular prism shaped tanks combinations showing my new design;

FIG. 8 is a side elevation view, the opposite side being a mirror image, thereof;

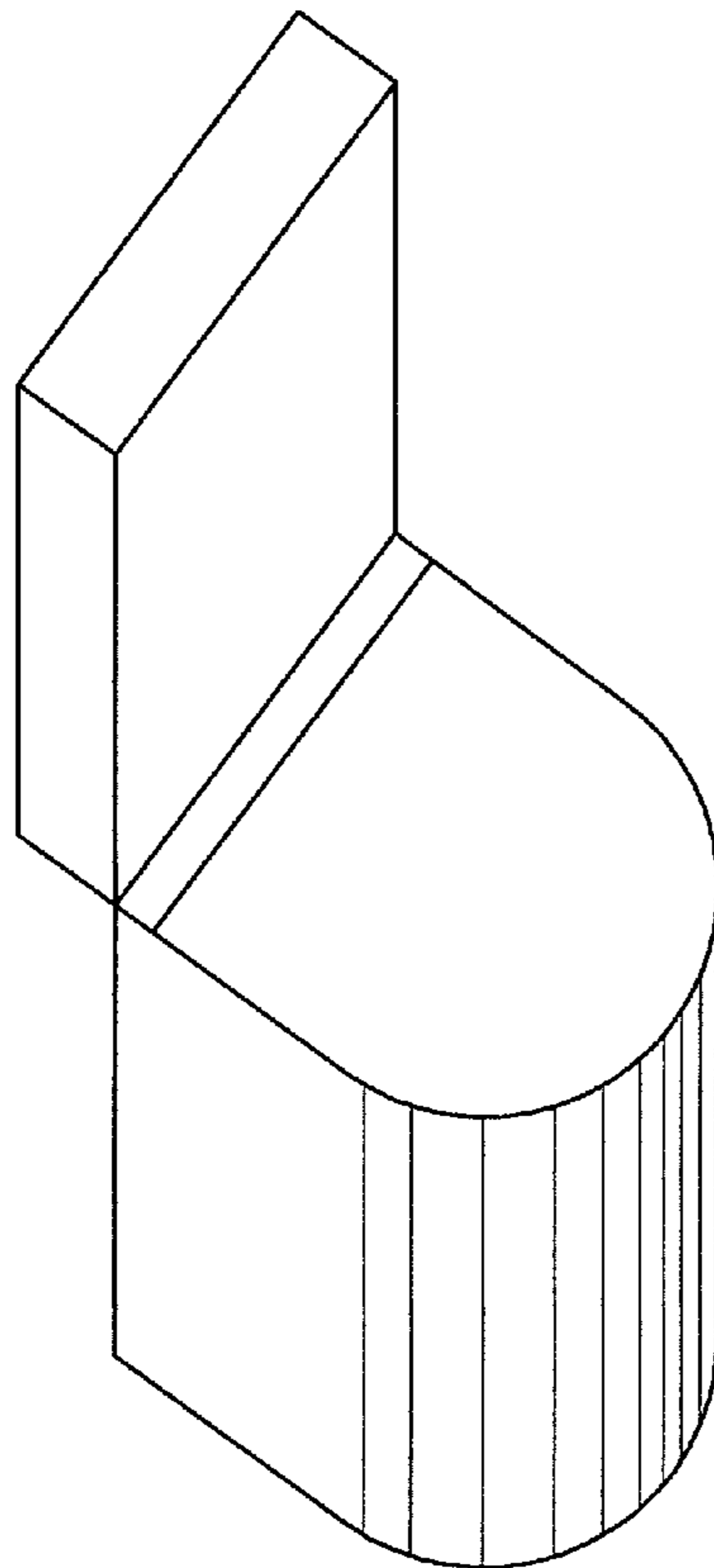
FIG. 9 is a front elevation view thereof;

FIG. 10 is a rear elevation view thereof;

FIG. 11 is a top plan view with the lid closed thereof; and,

FIG. 12 is a bottom plan view thereof.

1 Claim, 4 Drawing Sheets



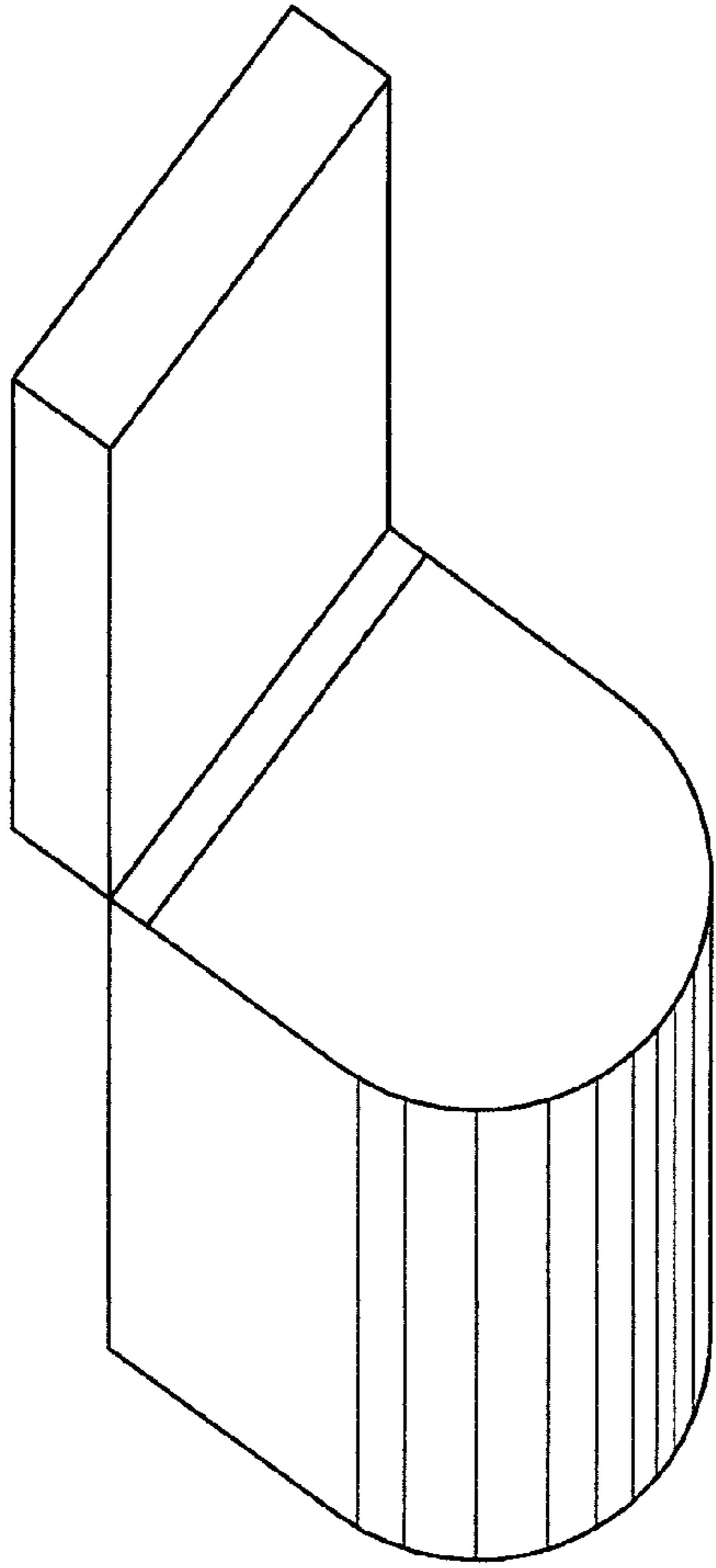


Fig. 1

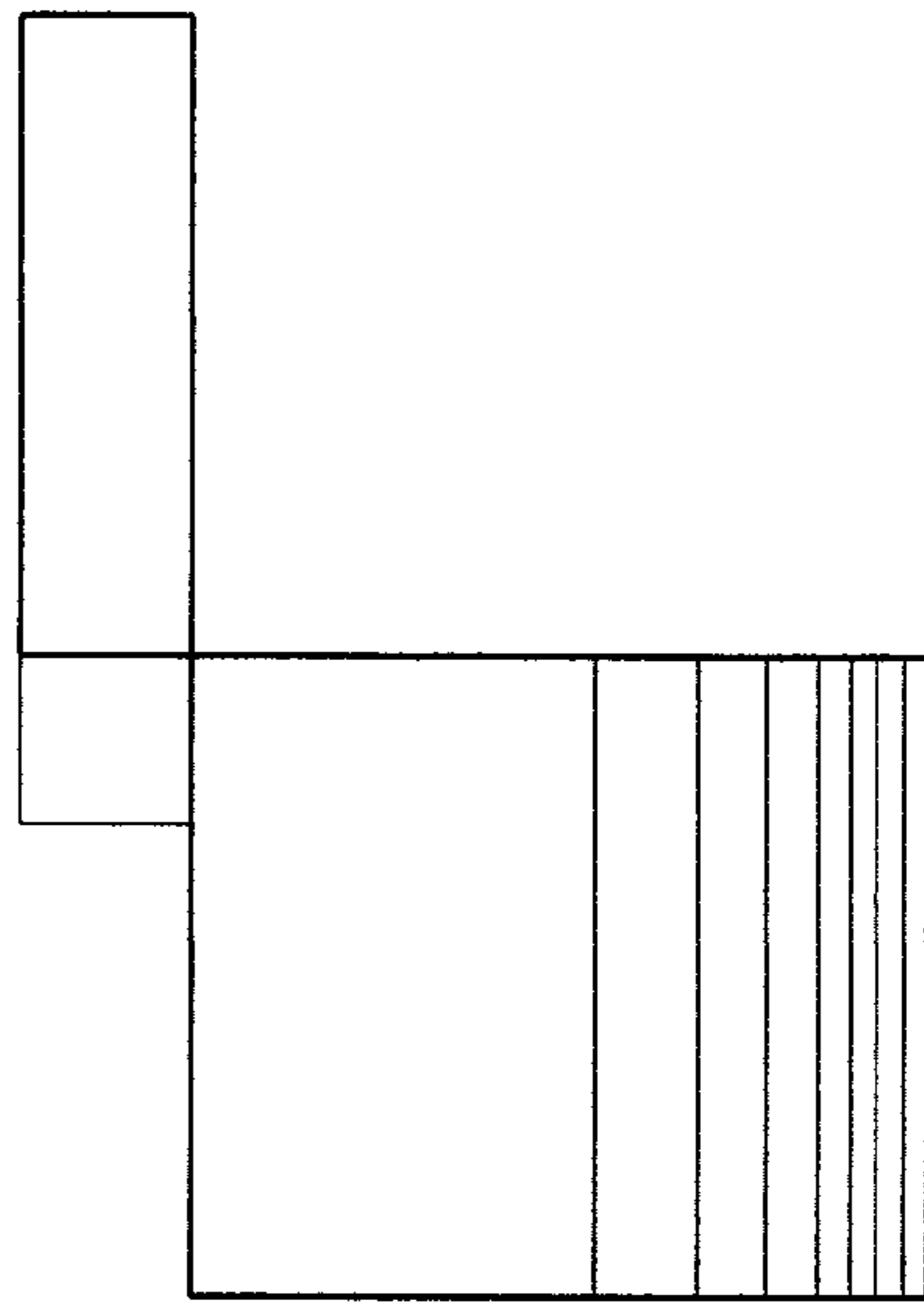


Fig. 2

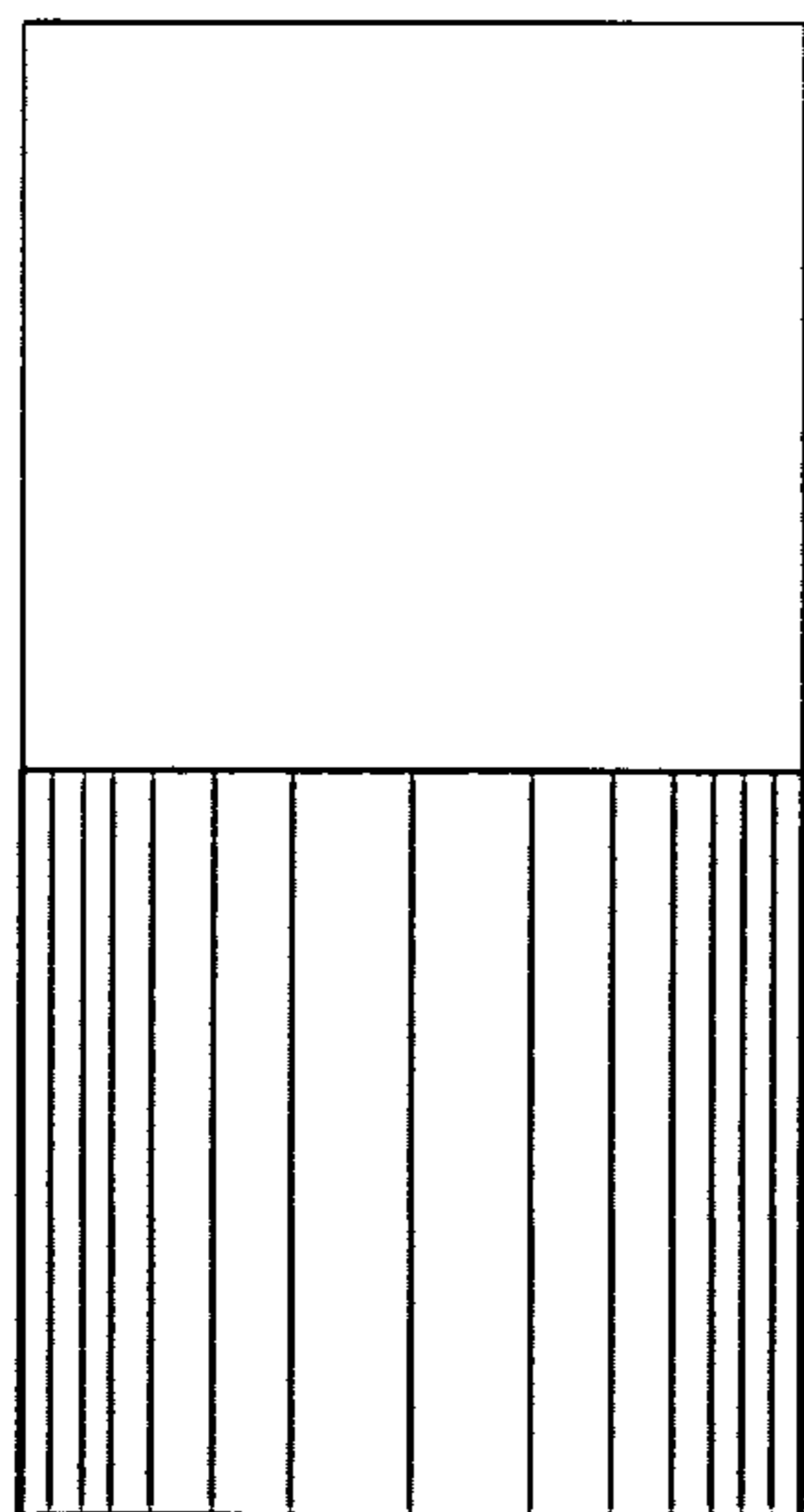


Fig. 3

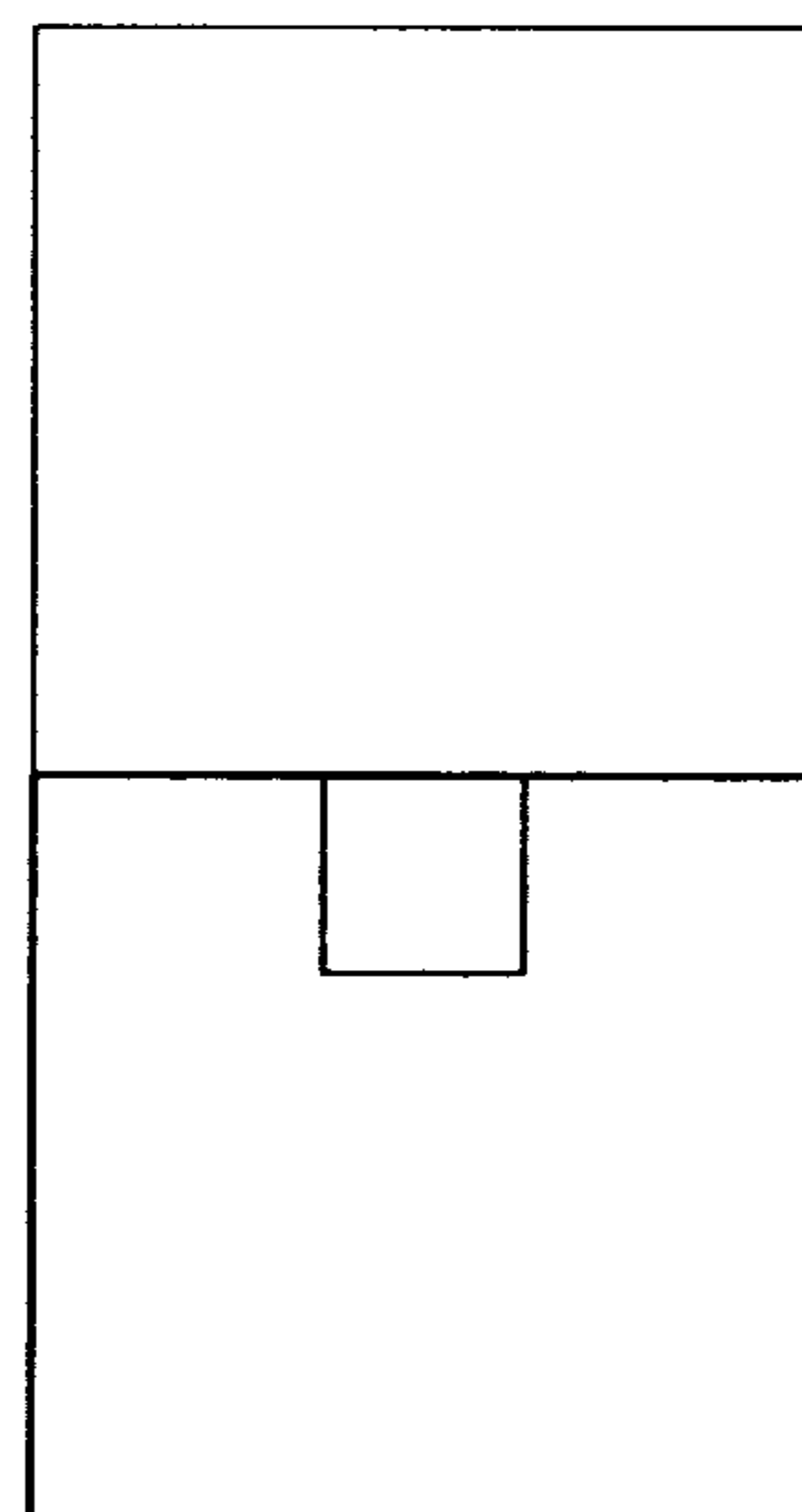


Fig. 4

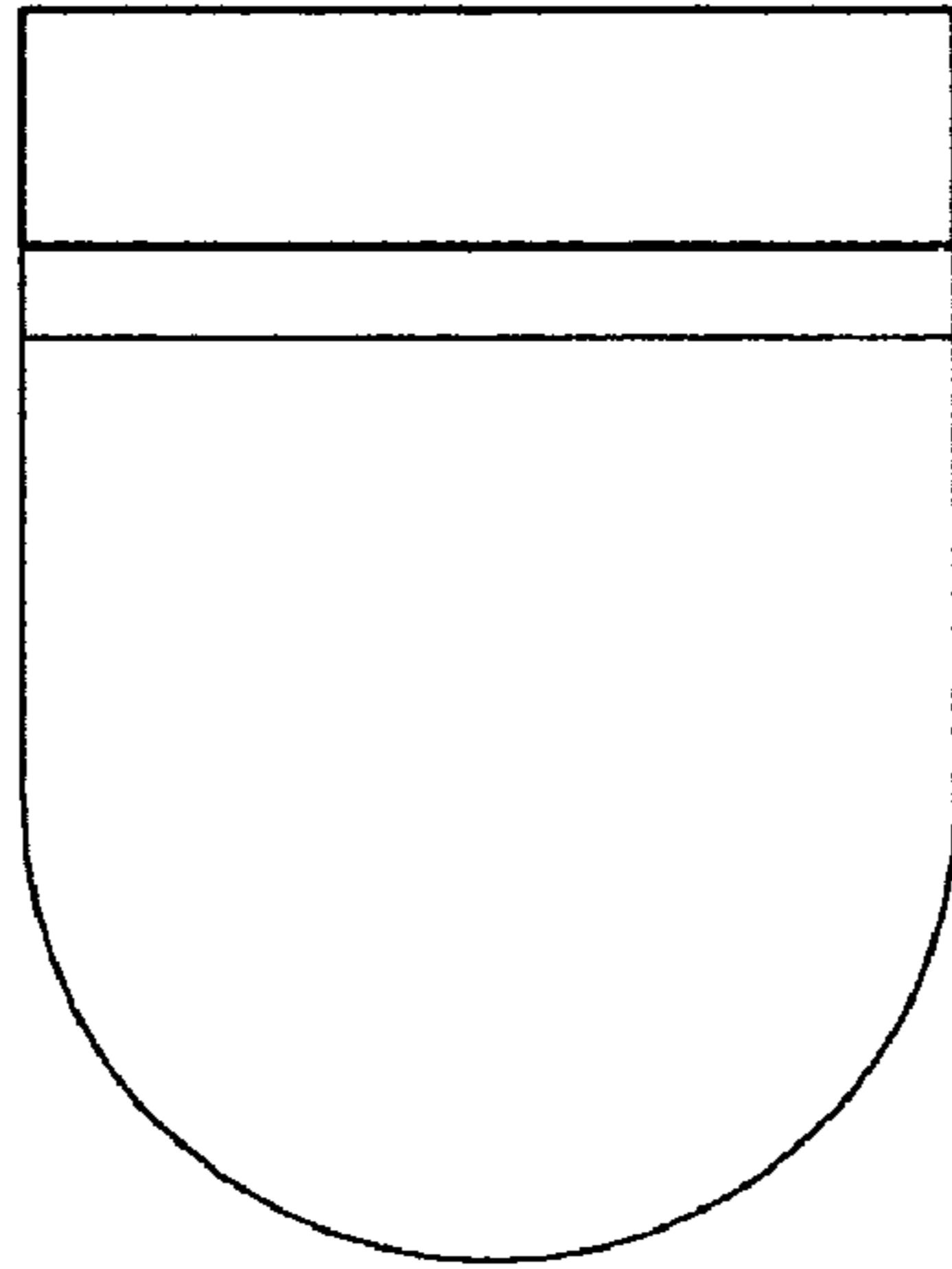


Fig. 5

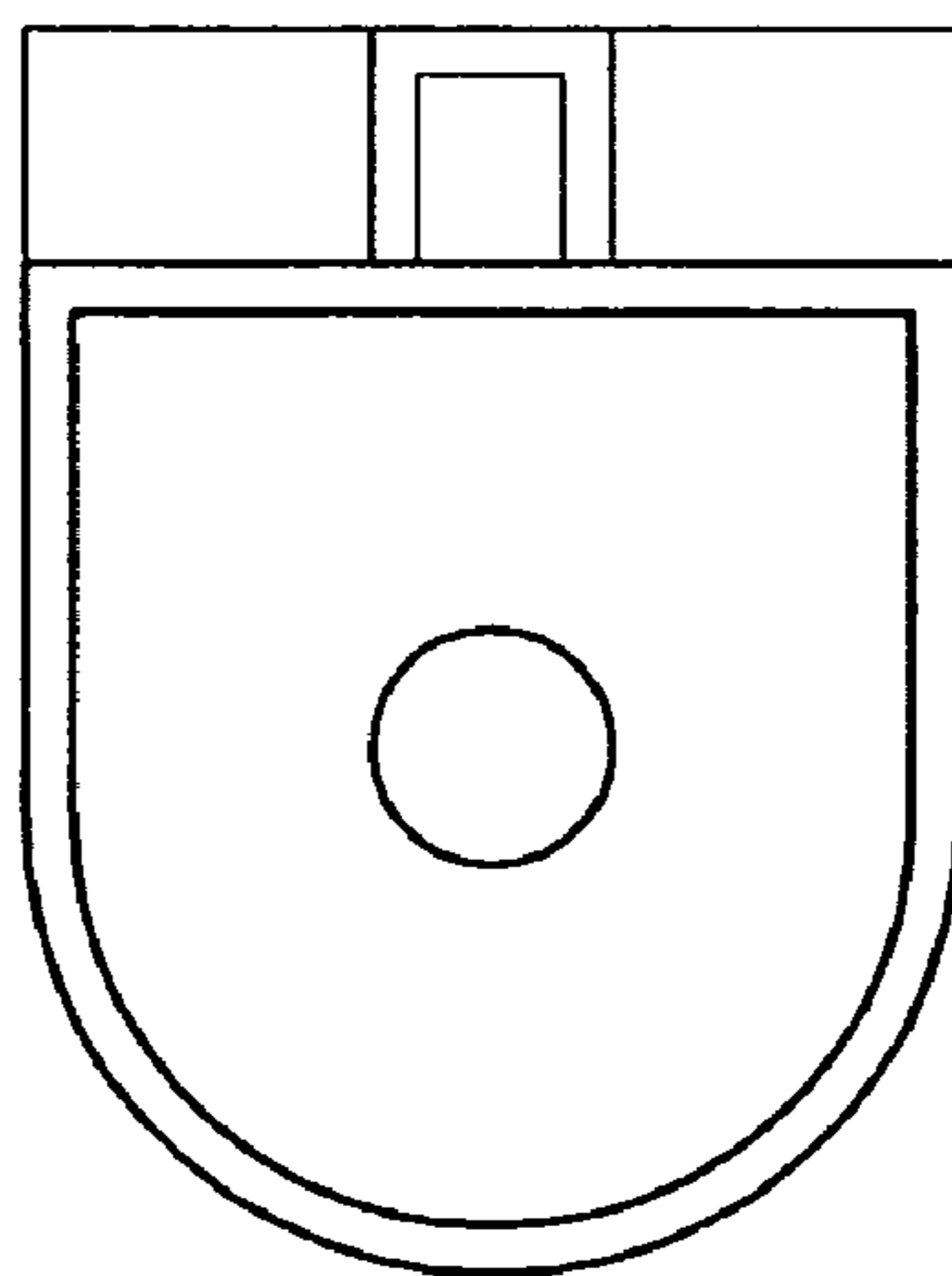


Fig. 6

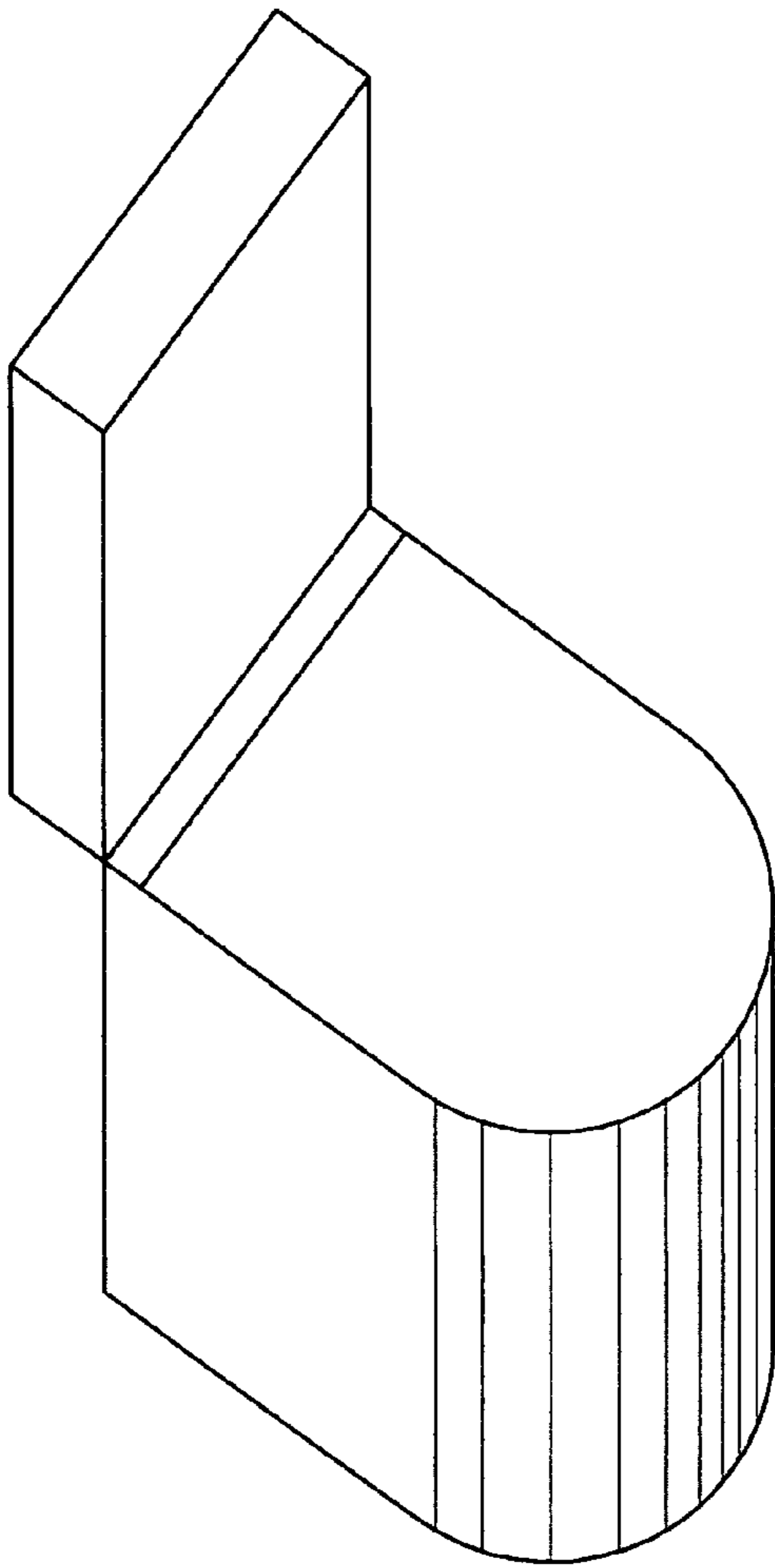


Fig. 7

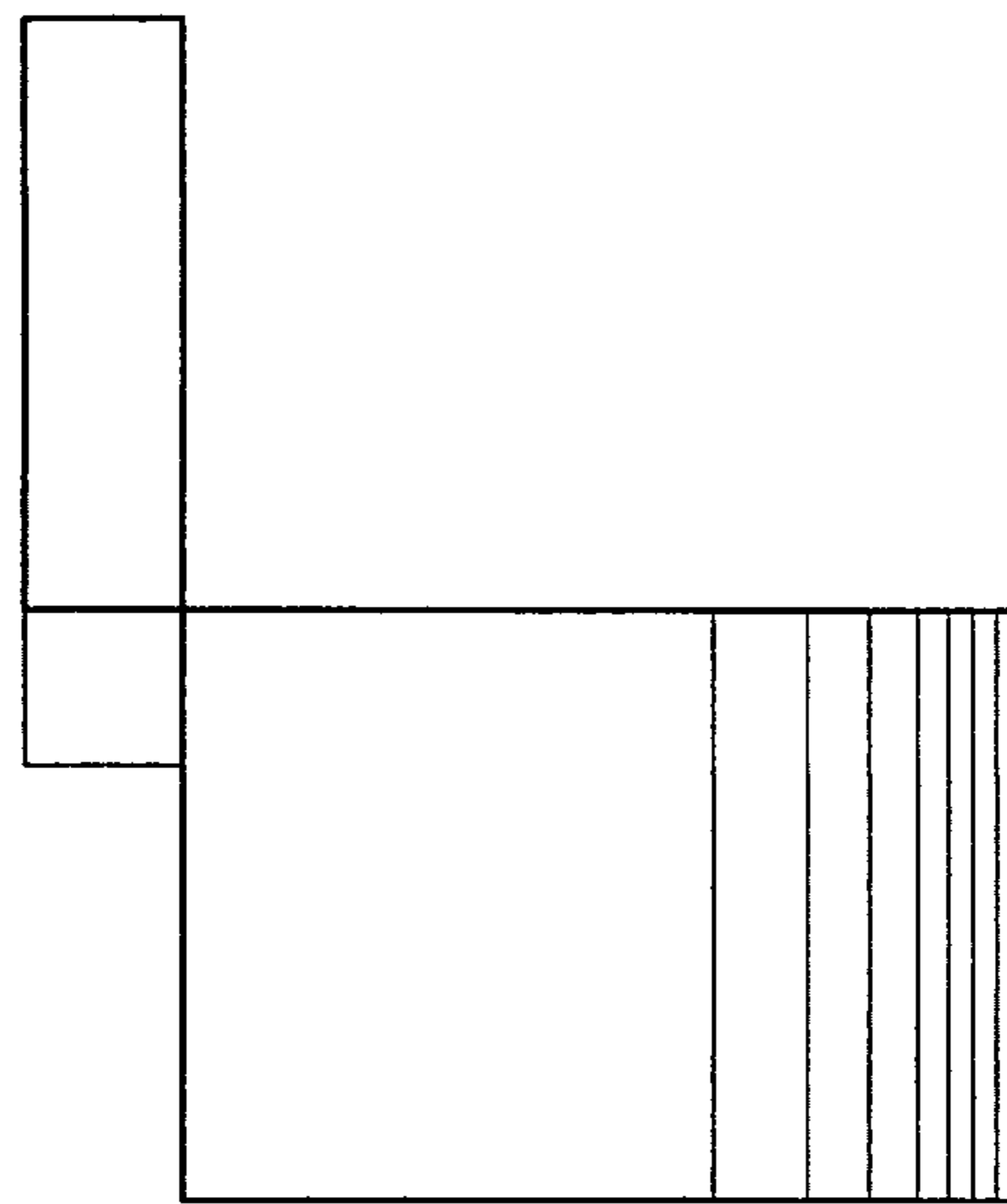


Fig. 8

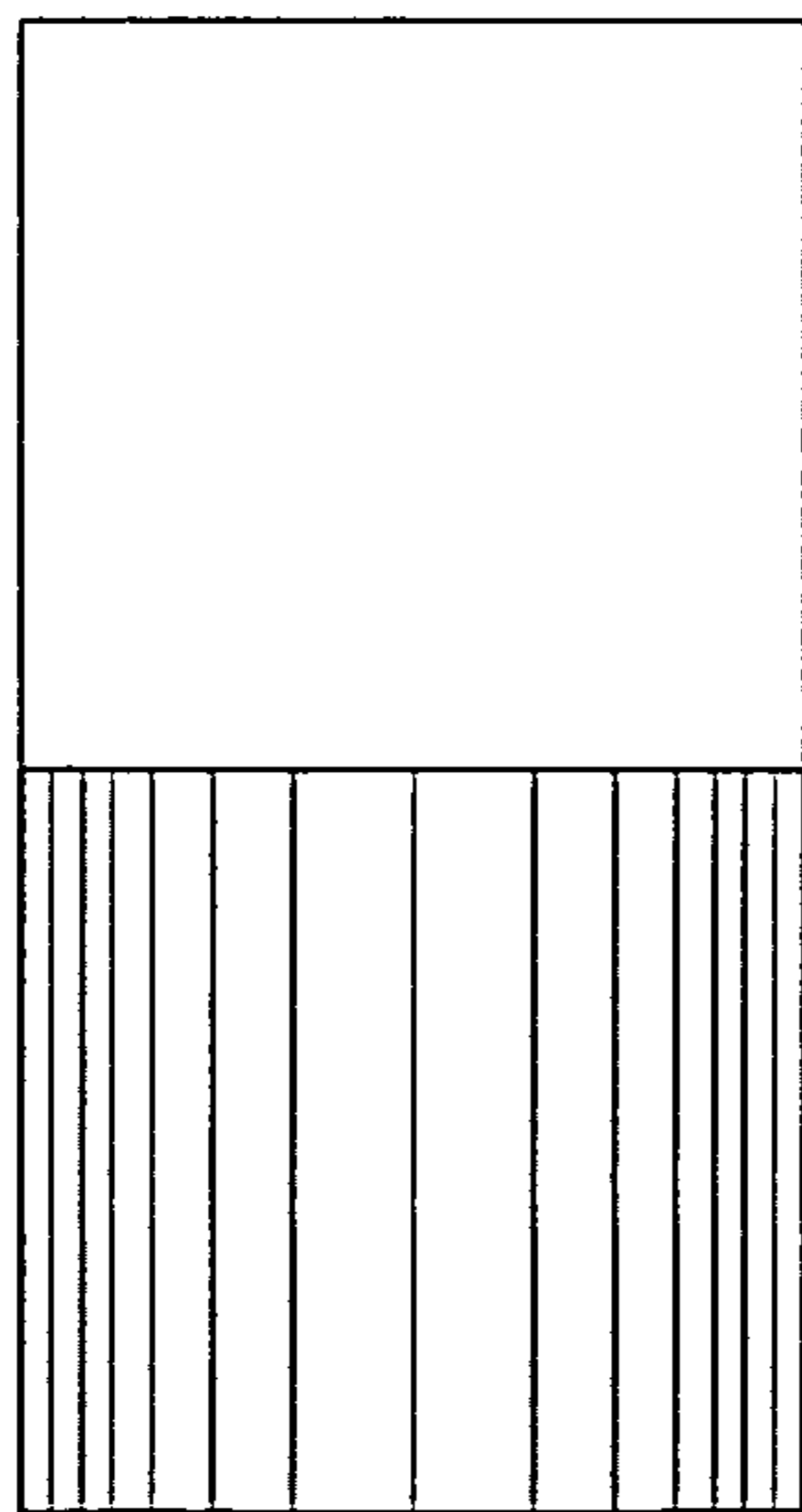


Fig. 9

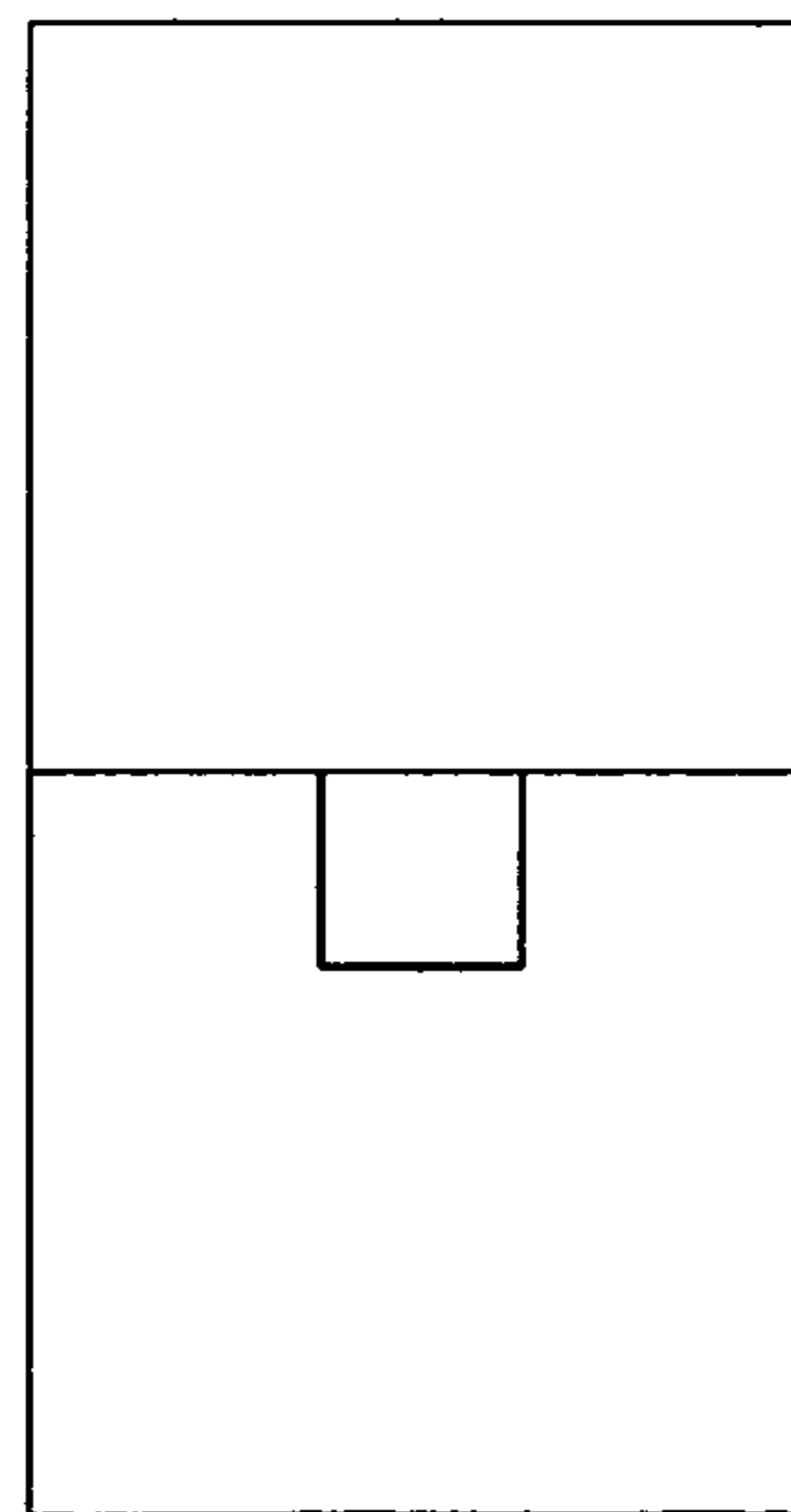


Fig. 10

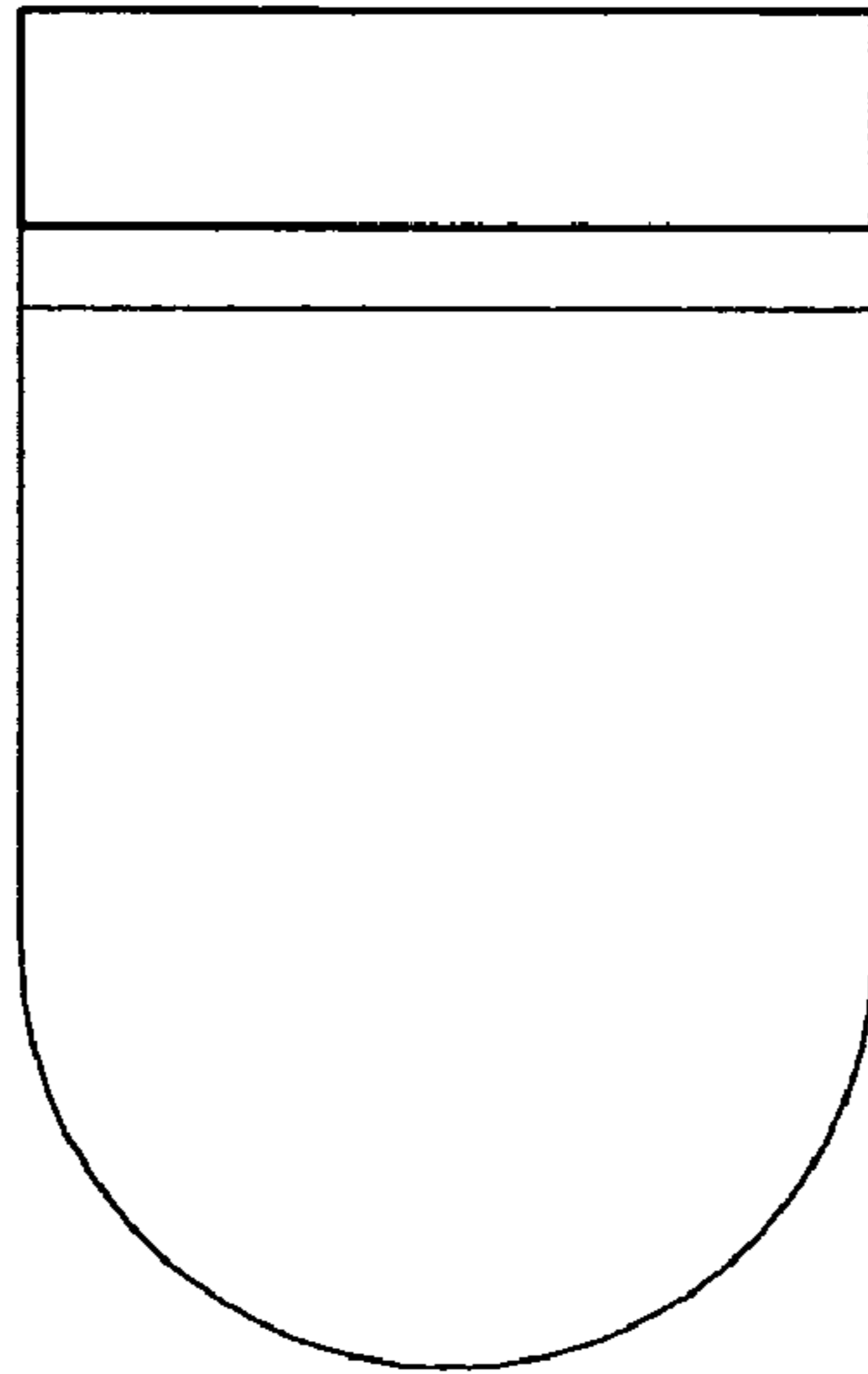


Fig. 11

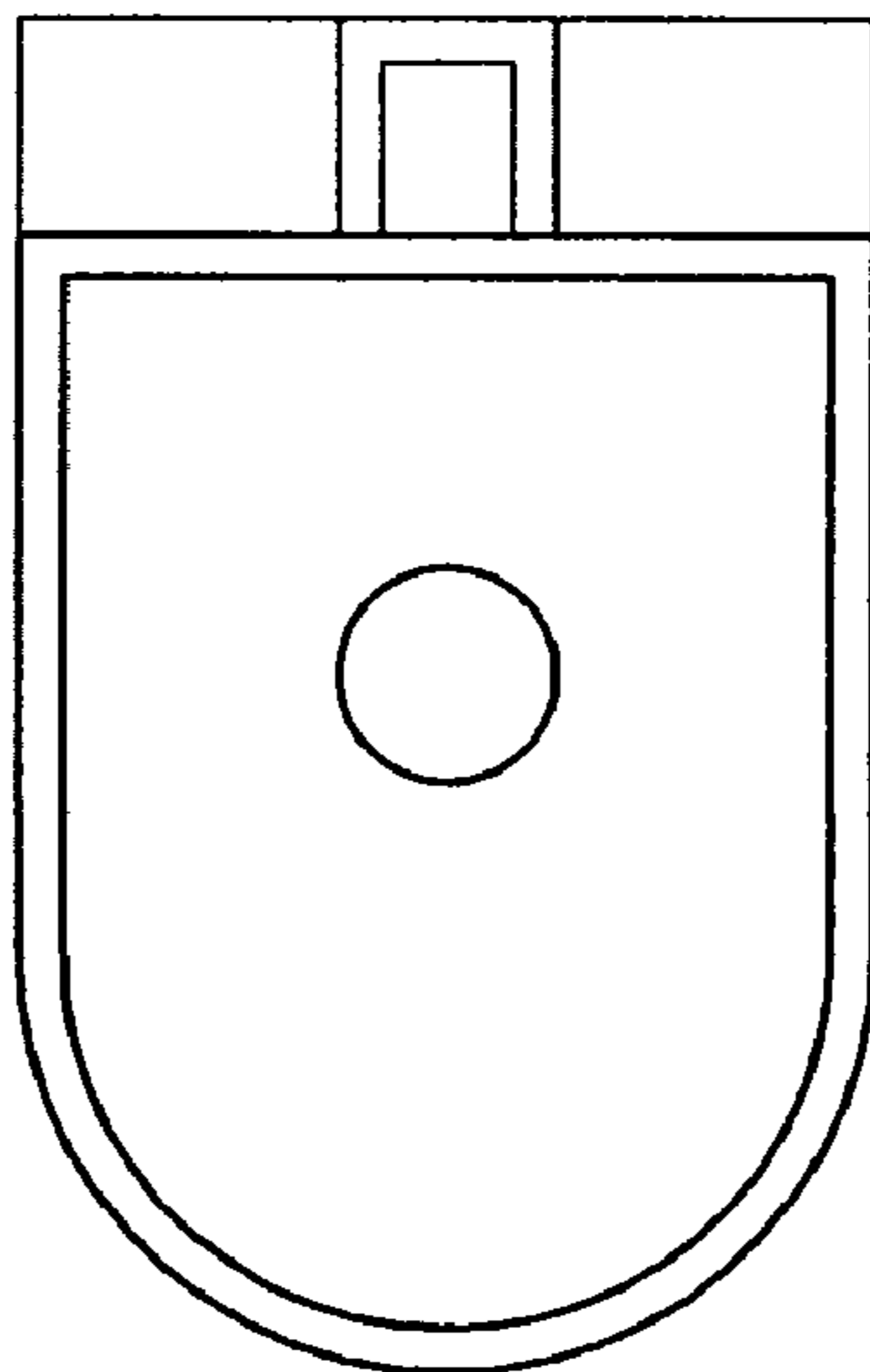


Fig. 12