



US00D574065S

(12) **United States Design Patent**  
**Ball**

(10) **Patent No.:** **US D574,065 S**

(45) **Date of Patent:** **\*\* Jul. 29, 2008**

(54) **ROOF MOUNTED HYDRANT ASSEMBLY**

D496,094 S \* 9/2004 Stevens ..... D23/262

\* cited by examiner

(75) Inventor: **William T. Ball**, Colorado Springs, CO  
(US)

*Primary Examiner*—Robert A Delehanty

(74) *Attorney, Agent, or Firm*—Sheridan Ross P.C.

(73) Assignee: **WCM Industries, Inc.**, Colorado Springs, CO (US)

(57) **CLAIM**

(\*\*) Term: **14 Years**

I claim the ornamental design for a roof mounted hydrant assembly.

(21) Appl. No.: **29/248,316**

**DESCRIPTION**

(22) Filed: **Aug. 9, 2006**

FIG. 1 is a front perspective view of a roof mounted hydrant assembly showing my new design;

(51) **LOC (8) Cl.** ..... **23-02**

FIG. 2 is a right side elevation view thereof;

(52) **U.S. Cl.** ..... **D23/259**

FIG. 3 is a front elevation view thereof

(58) **Field of Classification Search** ..... D23/250–257,  
D23/238–243, 244–249, 259, 262; 4/675–678;  
D8/300, 307–308, 310–312, 321; D6/550;  
137/801; 16/110.1, 441; D25/139

FIG. 4 is a top elevation view thereof; and,

FIG. 5 is a bottom elevation view thereof.

See application file for complete search history.

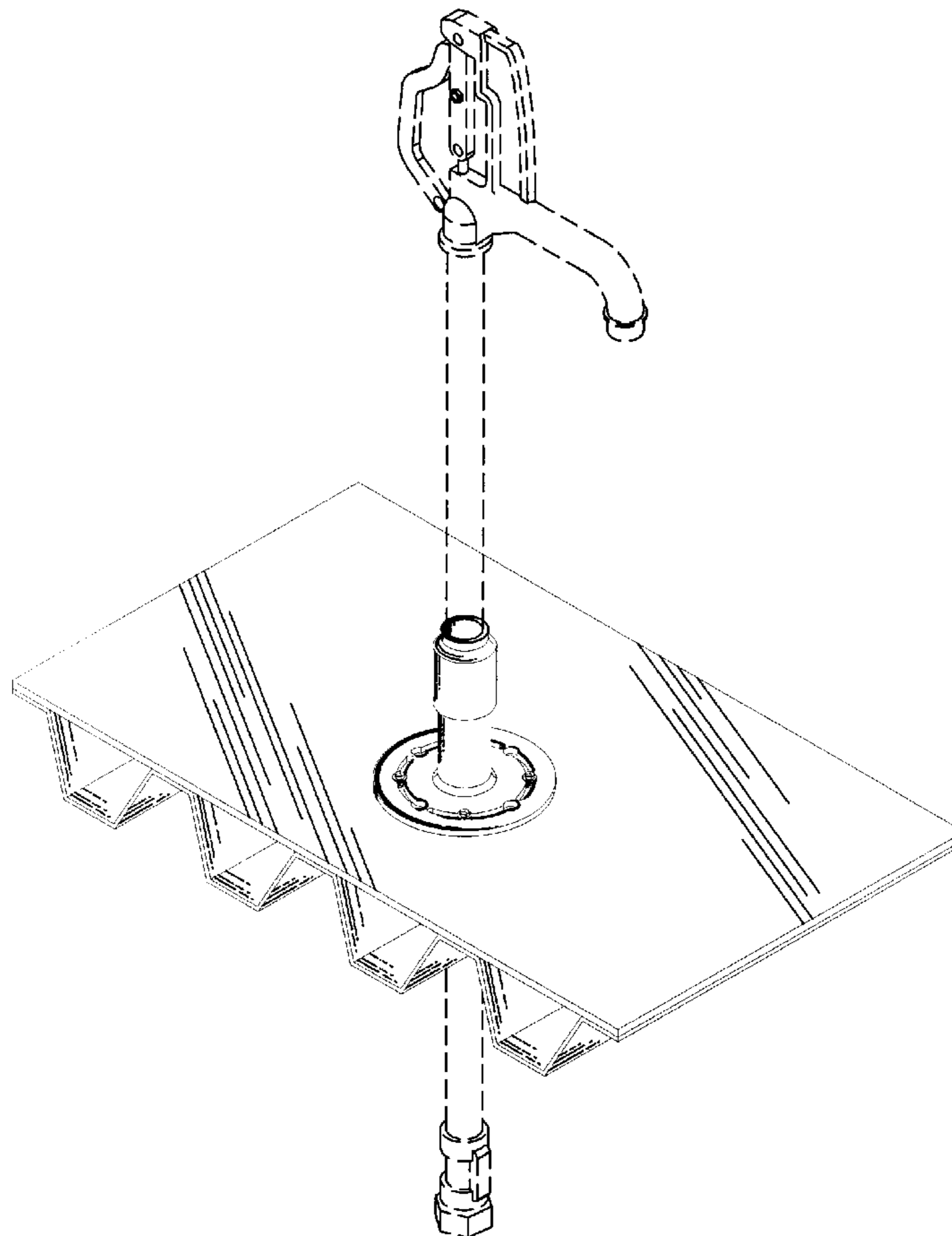
A description of the appearance of the article is as follows: A hydrant assembly with a sleeve and mounting assembly mounted to a roof top. In the figures a hydrant and standpipe are depicted in broken lines and is not part of the claimed design.

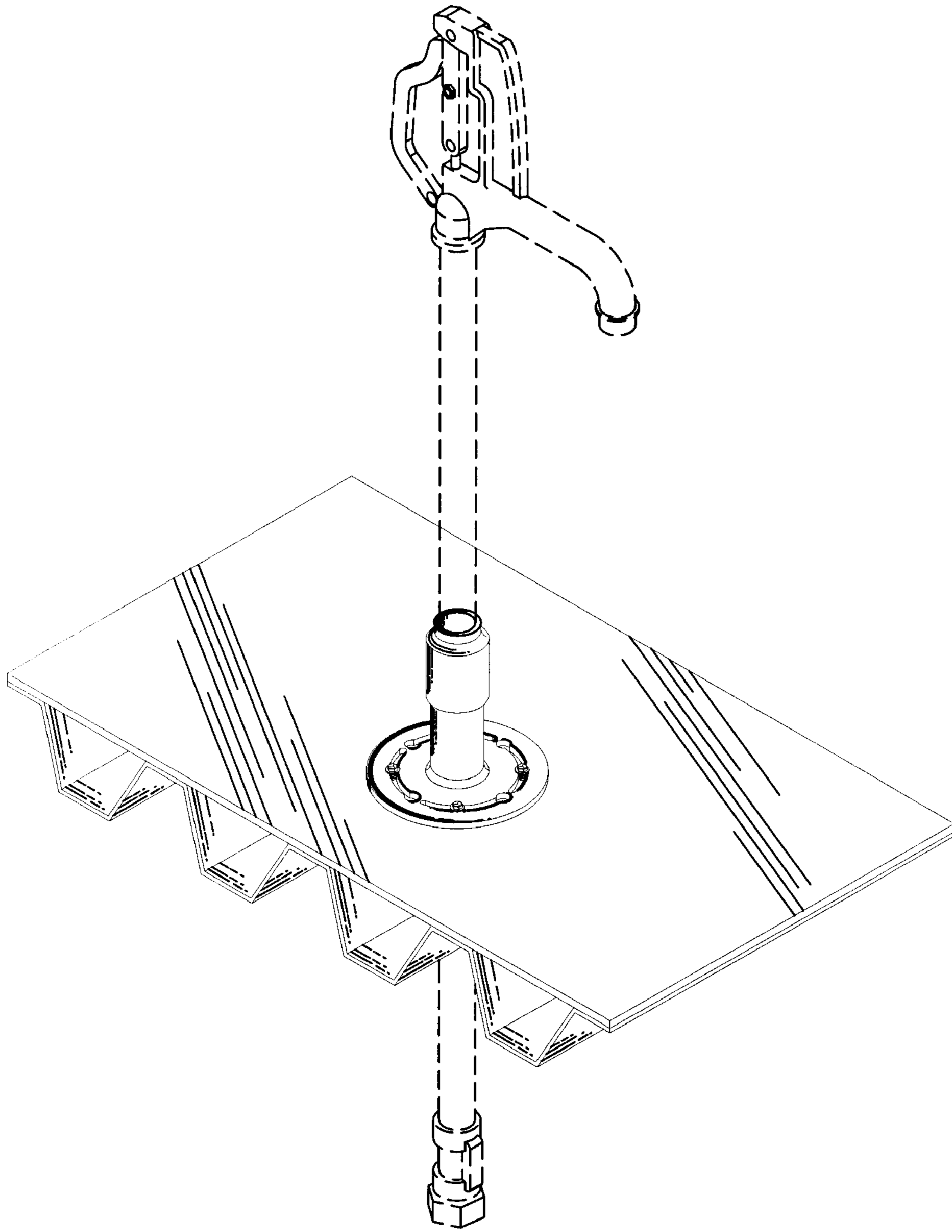
(56) **References Cited**

**U.S. PATENT DOCUMENTS**

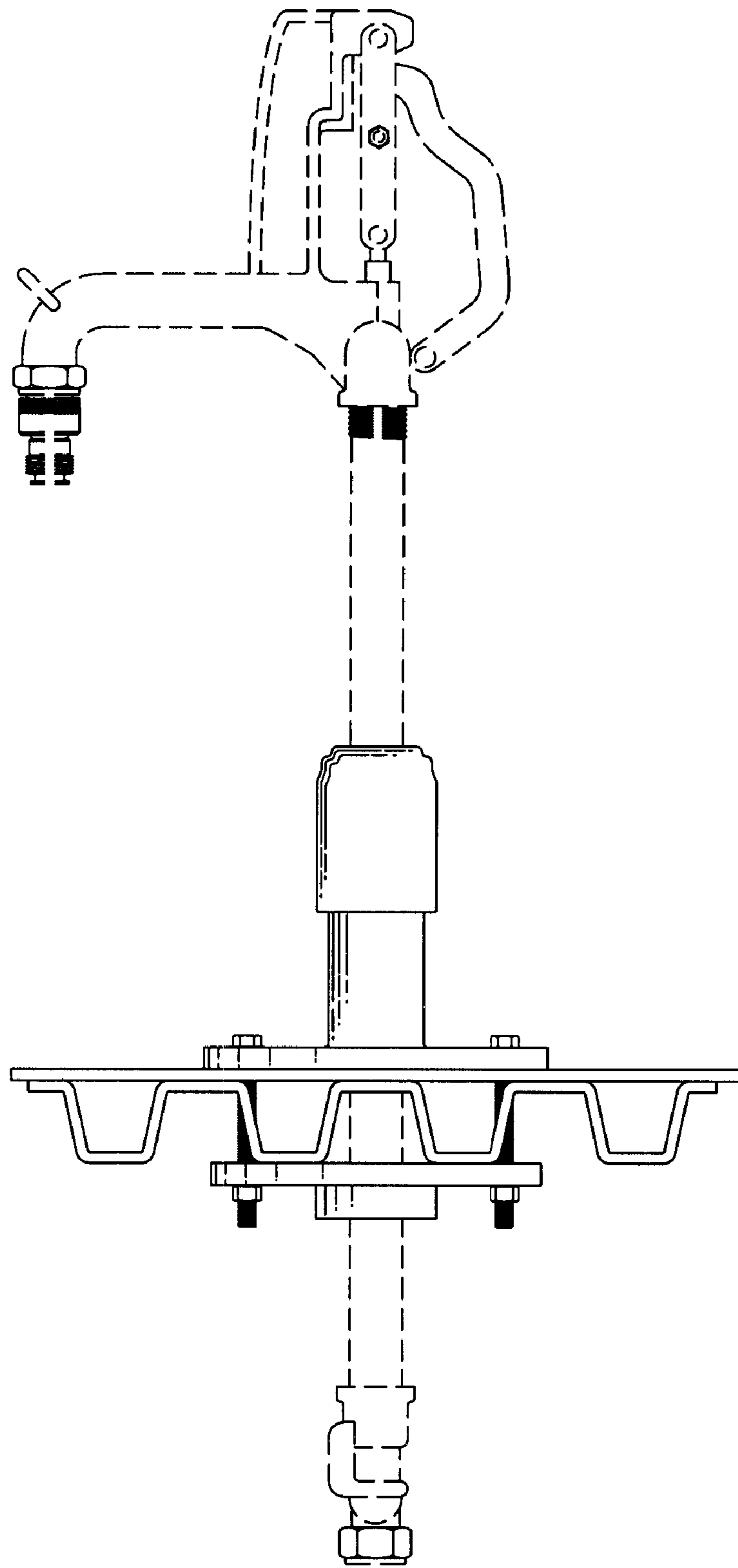
D398,379 S \* 9/1998 Vidal ..... D23/259  
5,950,383 A \* 9/1999 Williamson et al. .... 52/408

**1 Claim, 5 Drawing Sheets**

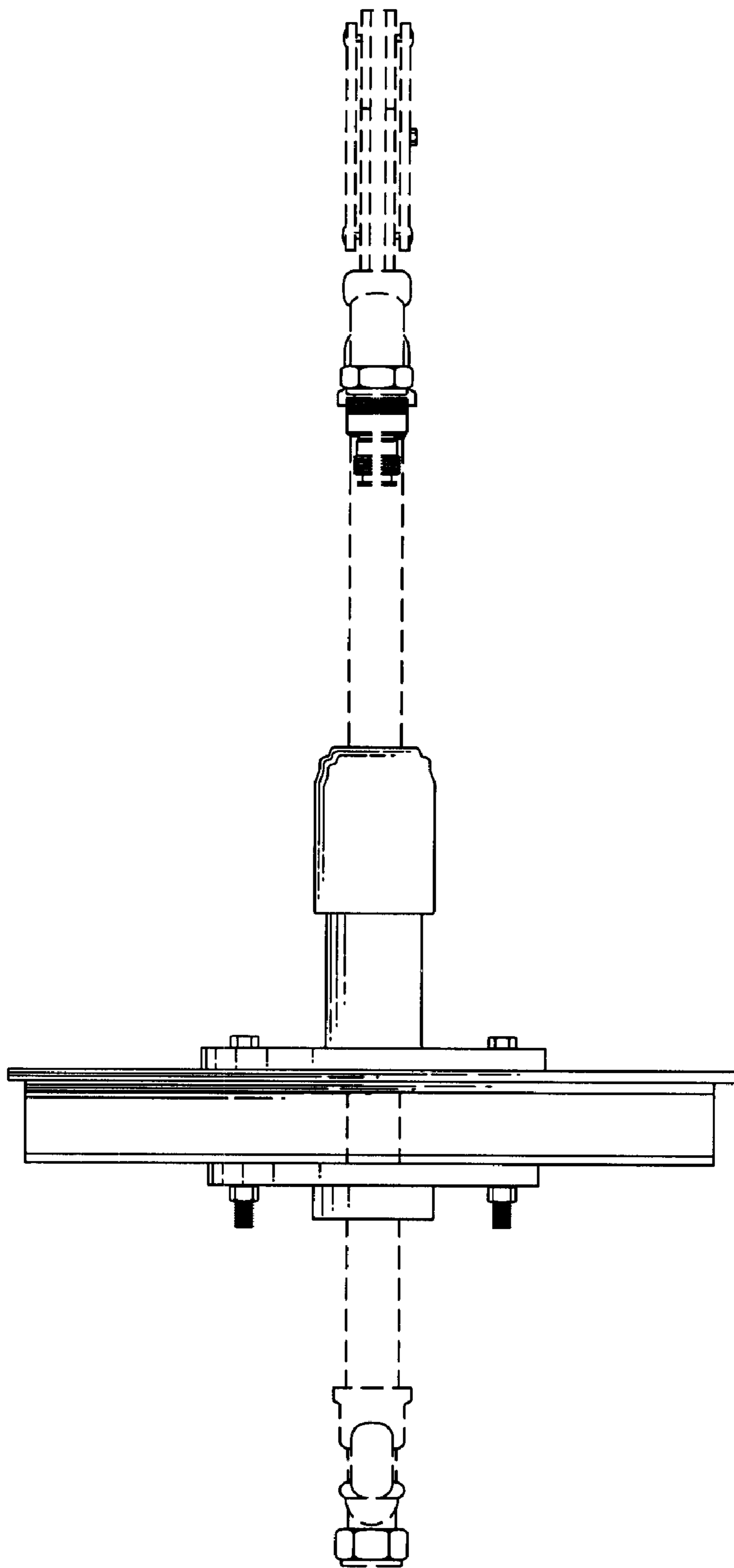




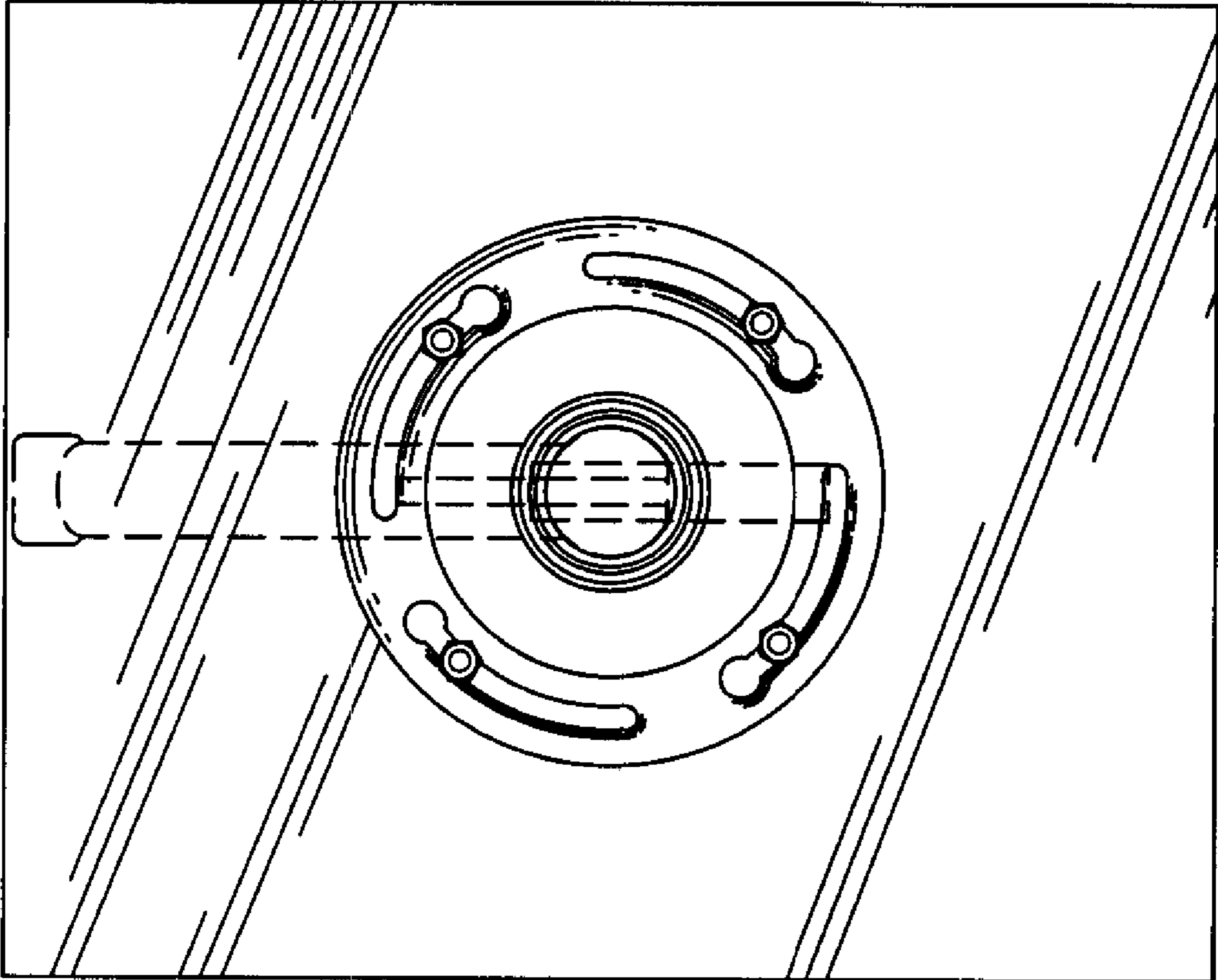
*Fig. 1*



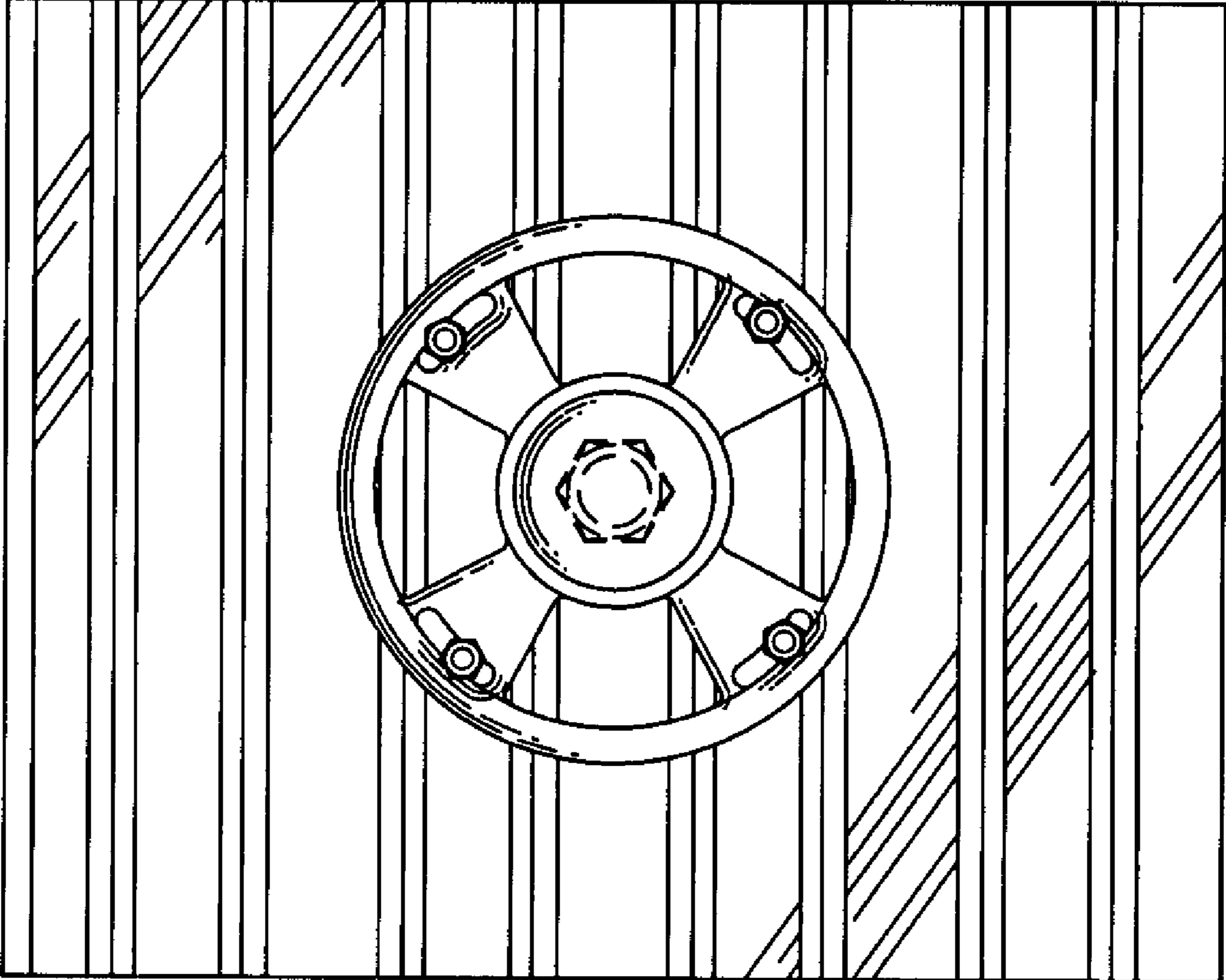
*Fig. 2*



*Fig. 3*



*Fig. 4*



*Fig. 5*