



US00D574064S

(12) **United States Design Patent**
Hanna

(10) **Patent No.:** **US D574,064 S**
(45) **Date of Patent:** **** Jul. 29, 2008**

(54) **FAUCET BODY**
(75) Inventor: **Aaron Hanna**, Corona, CA (US)
(73) Assignee: **Newfrey LLC**, Newark, DE (US)
(**) Term: **14 Years**
(21) Appl. No.: **29/273,220**
(22) Filed: **Feb. 28, 2007**
(51) **LOC (8) Cl.** **23-02**
(52) **U.S. Cl.** **D23/257**
(58) **Field of Classification Search** D23/250-257,
D23/238-243, 244-249; 4/675-678; D8/300,
D8/307-308, 310-312, 321; D6/550; 137/801;
16/110.1, 441
See application file for complete search history.

D461,540 S 8/2002 Gottwald
D463,531 S 9/2002 Gottwald
D463,535 S 9/2002 Singtoroj
D465,011 S 10/2002 Singtoroj et al.
D465,829 S 11/2002 Singtoroj
D466,590 S 12/2002 Otero et al.
D466,980 S 12/2002 Pitsch et al.
D466,981 S 12/2002 Cosolito et al.
D469,505 S 1/2003 Marshall
D469,511 S 1/2003 Marshall
D469,513 S 1/2003 Marshall
D469,852 S 2/2003 Marshall
D471,254 S 3/2003 Bonnell et al.
D472,308 S 3/2003 Hundley
D472,607 S 4/2003 Warshawsky et al.
D472,610 S 4/2003 Marshall
D475,125 S 5/2003 Marinov
D490,880 S * 6/2004 Lin D23/255

(56) **References Cited**

U.S. PATENT DOCUMENTS

D76,790 S 11/1928 Fraser
D291,236 S 8/1987 Delepine
D300,653 S 4/1989 Paul
D318,901 S 8/1991 Rodstein
D323,700 S 2/1992 Wilde
D329,688 S 9/1992 Yost
D349,757 S 8/1994 Altman
D373,179 S 8/1996 Sieger
D373,620 S * 9/1996 Doughty et al. D23/242
D397,423 S 8/1998 Short et al.
D404,467 S 1/1999 Doughty et al.
D406,877 S 3/1999 Esche et al.
D408,505 S 4/1999 Garcia
D409,726 S 5/1999 Formgren
D415,825 S 10/1999 Chang et al.
D416,982 S 11/1999 Warshawsky et al.
D422,342 S 4/2000 Mark et al.
D426,618 S 6/2000 Mark et al.
D428,965 S 8/2000 Slothower
D444,212 S 6/2001 Fleischmann
D448,065 S 9/2001 Pitsch et al.
D448,453 S 9/2001 Lord
D460,150 S 7/2002 Rexach

* cited by examiner

Primary Examiner—Robert A Delehanty
(74) *Attorney, Agent, or Firm*—Richard J. Veltman

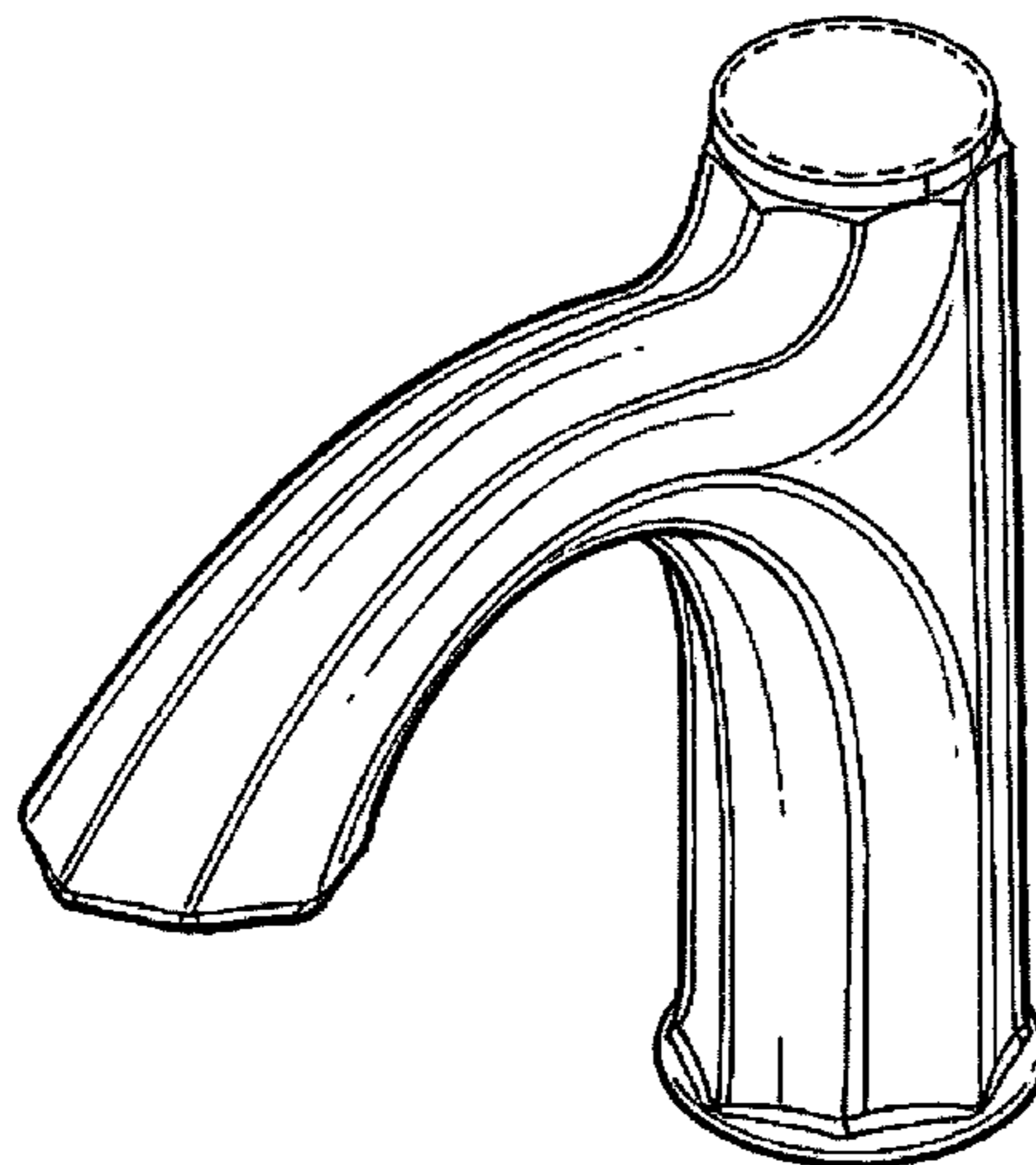
(57) **CLAIM**

The ornamental design for a faucet body, as shown and described.

DESCRIPTION

FIG. 1 is a perspective view of a faucet body showing a new design;
FIG. 2 is a front view thereof;
FIG. 3 is a back view thereof;
FIG. 4 is a top view thereof;
FIG. 5 is a bottom view thereof;
FIG. 6 is a right side view thereof; and,
FIG. 7 is a left side view thereof.
The broken circumferential lines shown in the drawing views define the unclaimed bounds of the design and form no part thereof.

1 Claim, 5 Drawing Sheets



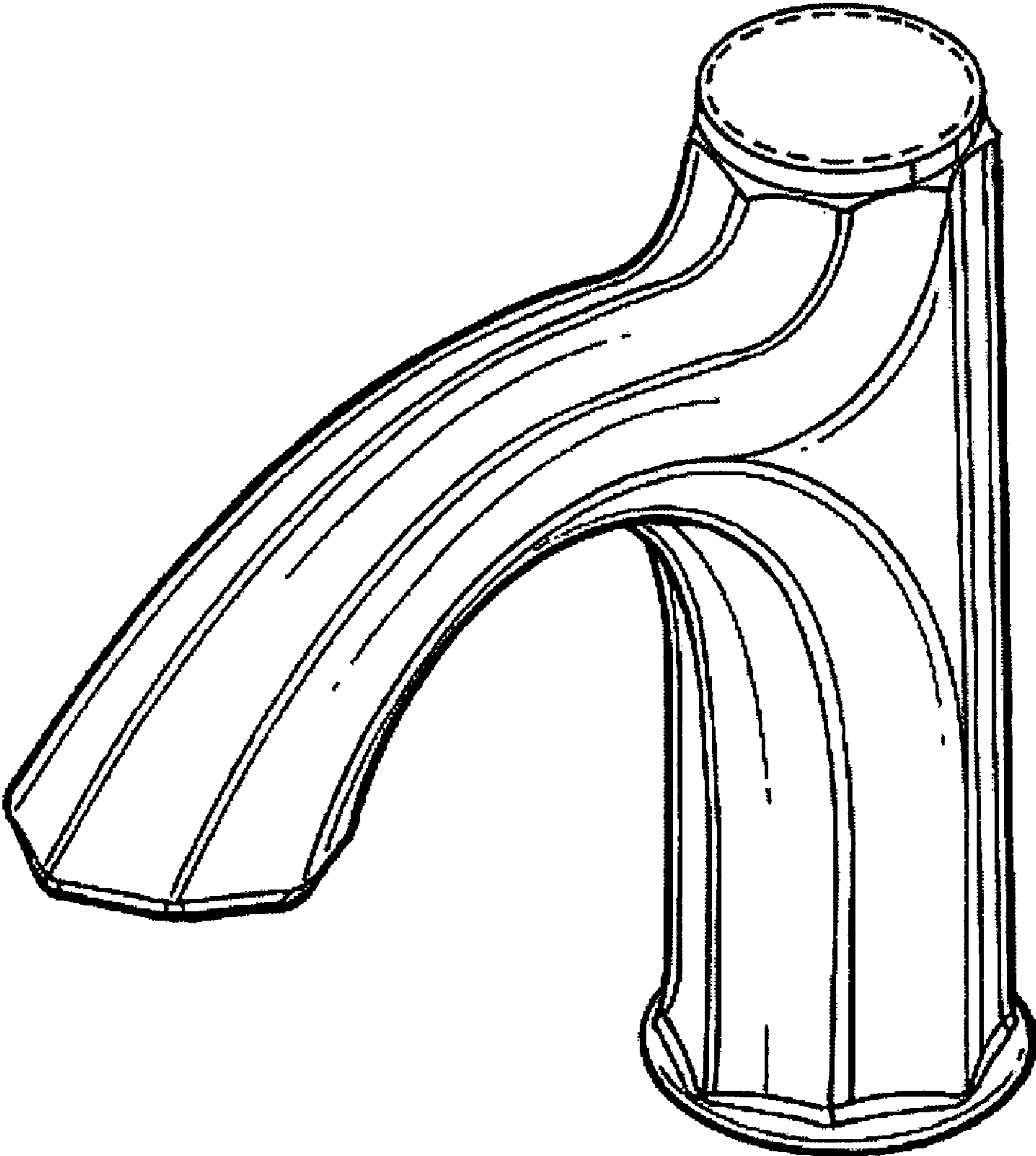


Fig. 1

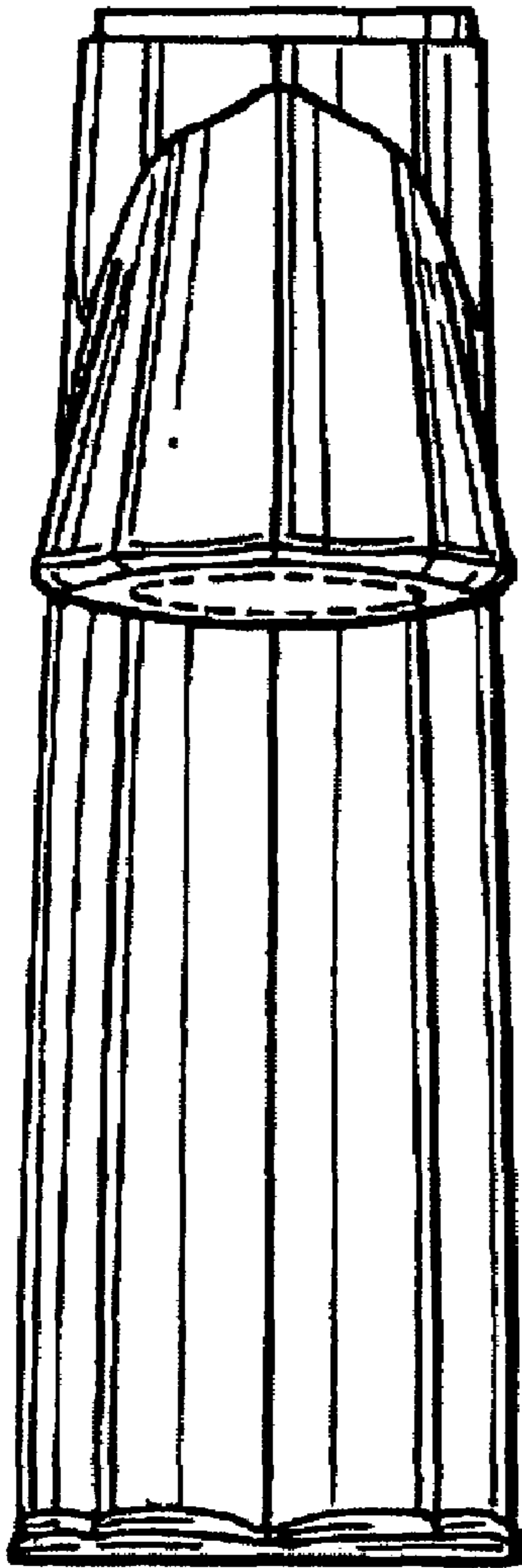


Fig. 2

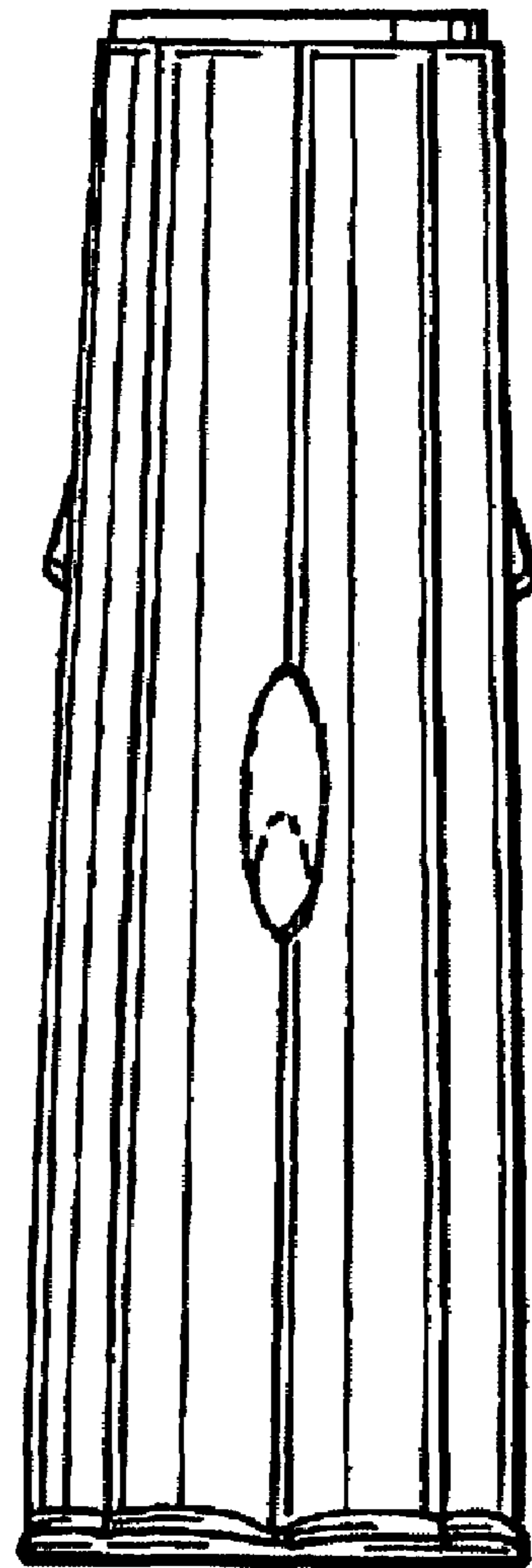


Fig. 3

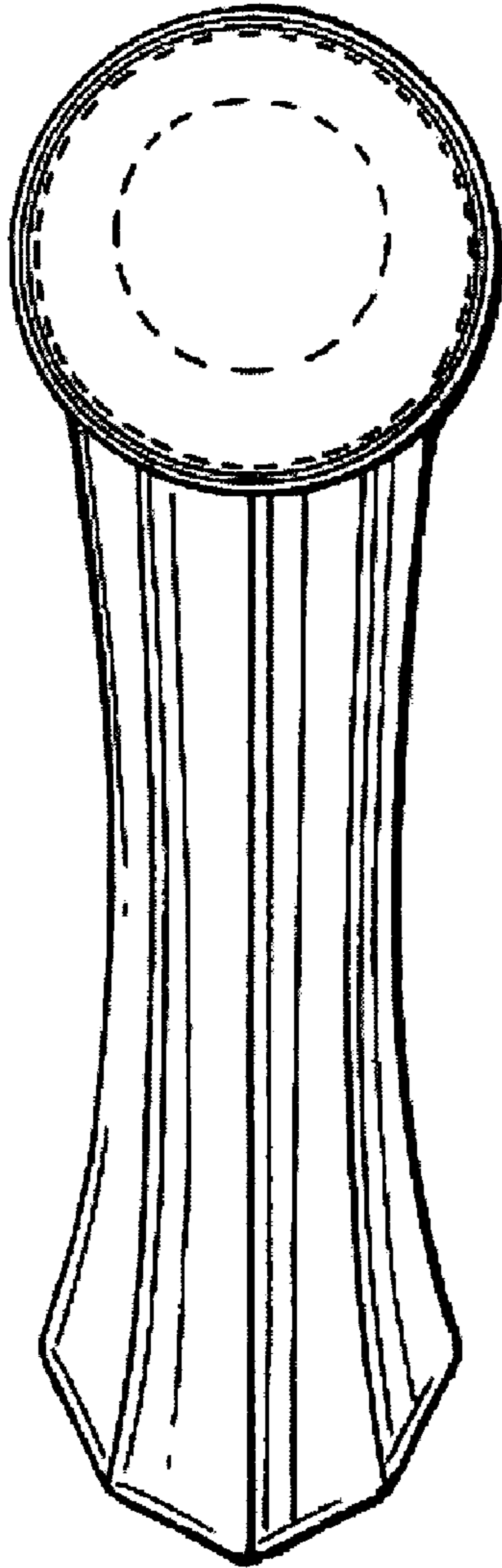


Fig. 4

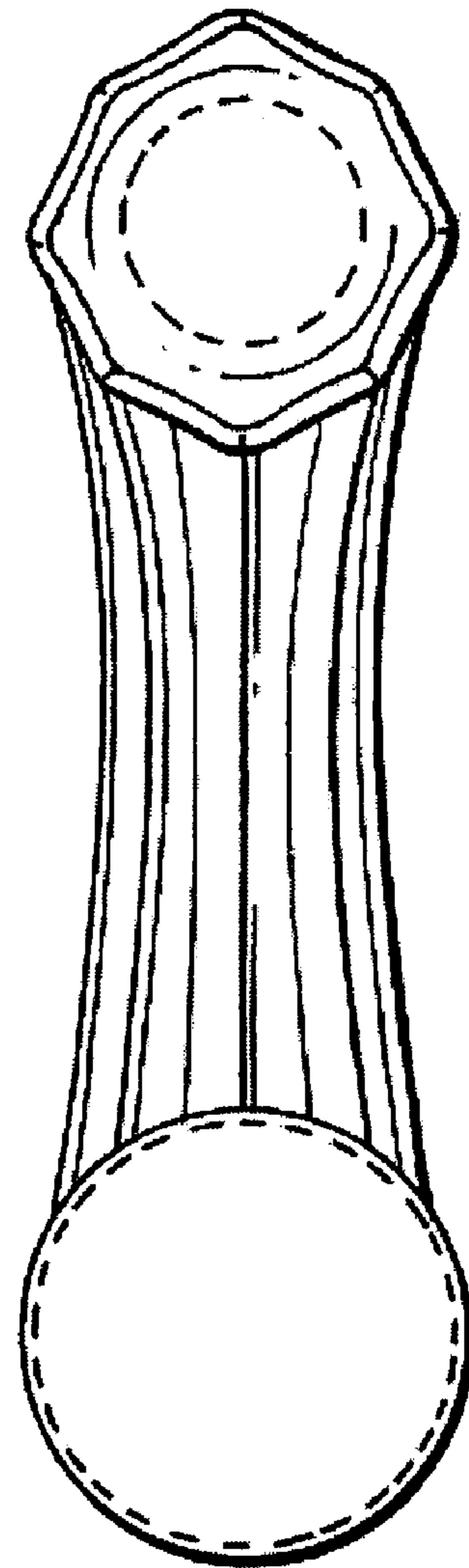


Fig. 5

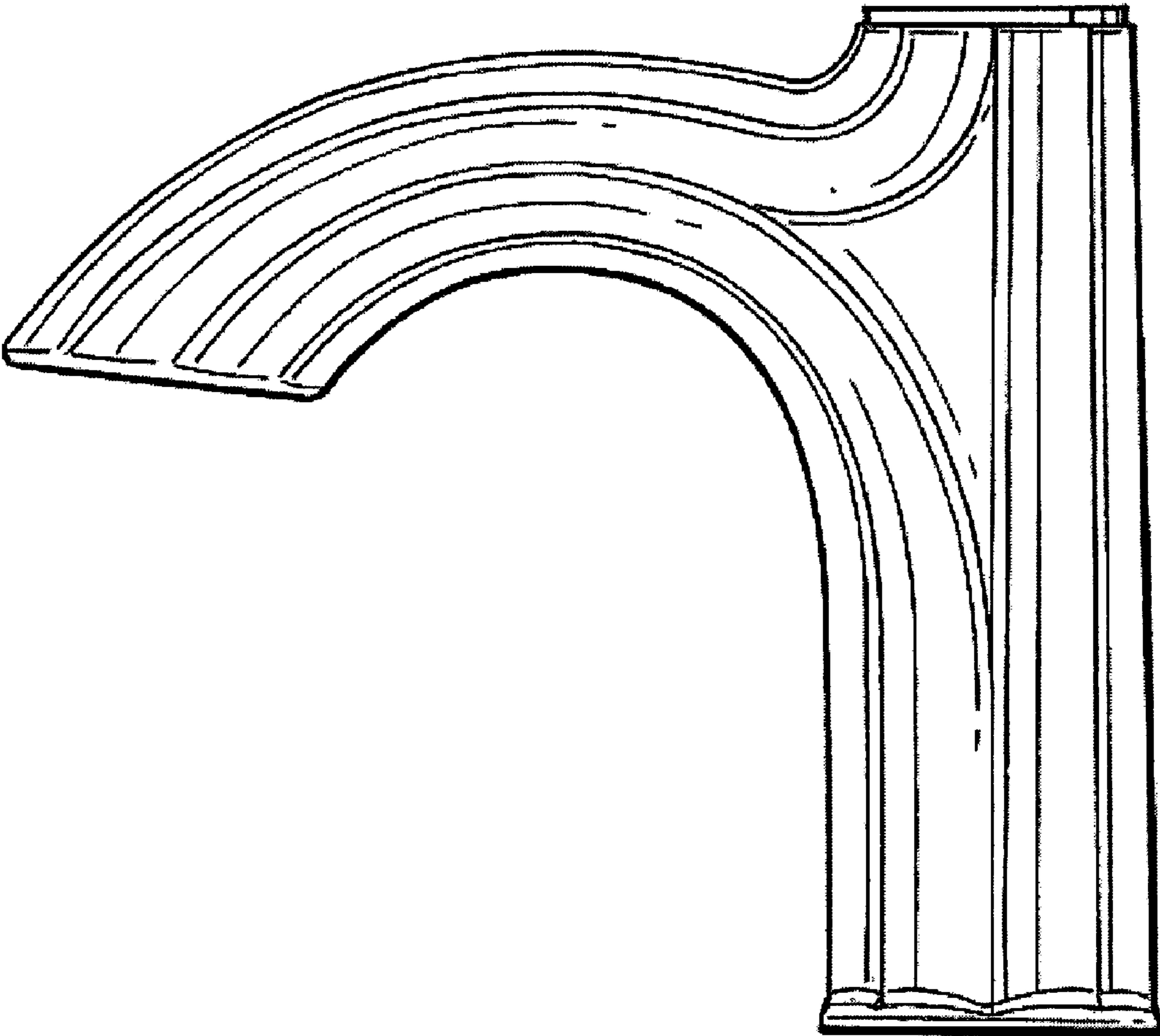


Fig. 6

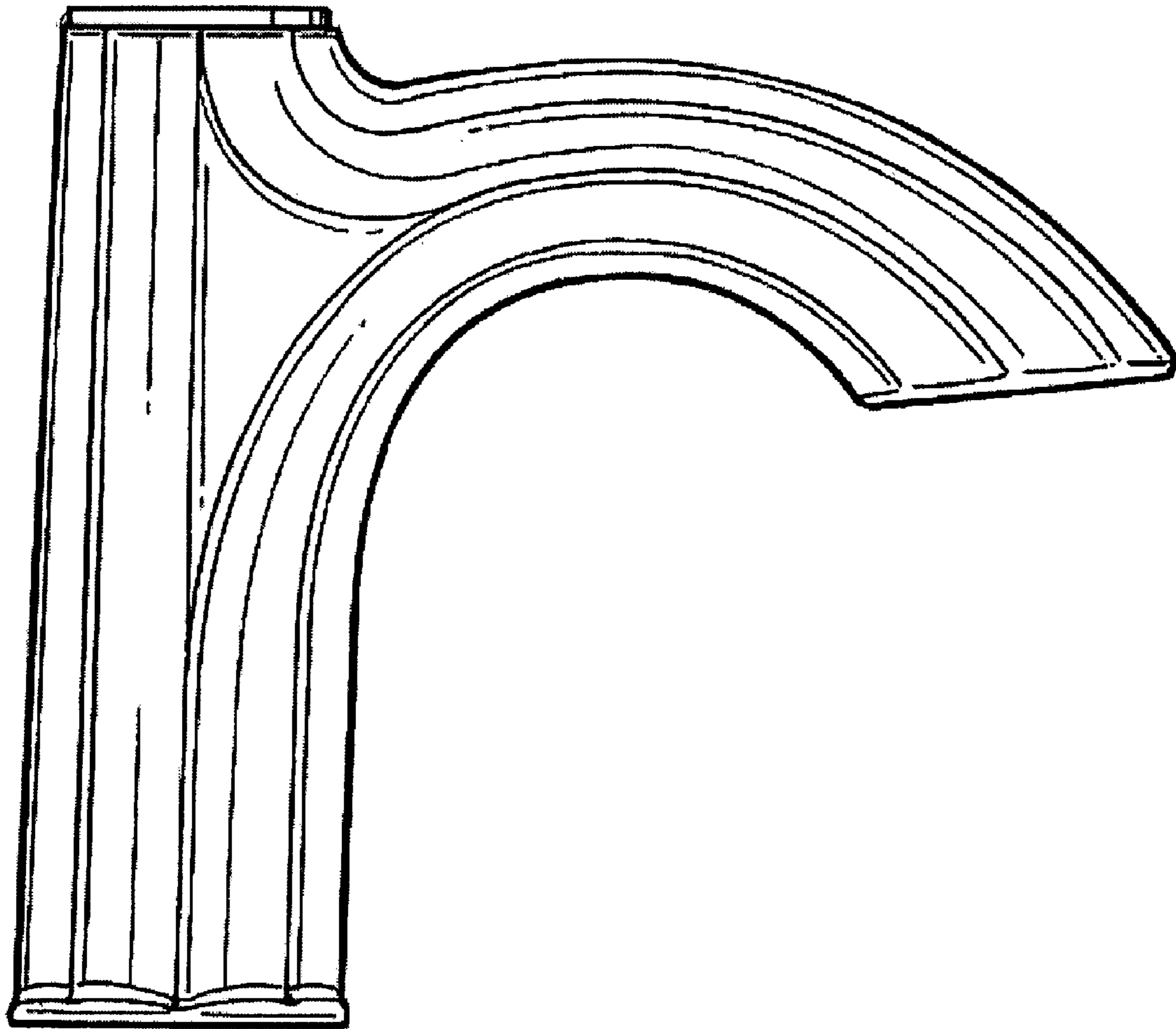


Fig. 7