



US00D574063S

(12) **United States Design Patent**
Tsai

(10) **Patent No.:** **US D574,063 S**
(45) **Date of Patent:** **** Jul. 29, 2008**

(54) **FAUCET BODY**

(75) Inventor: **Hsin-I Canny Tsai**, Sheboygan, WI (US)

(73) Assignee: **Kohler Co.**, Kohler, WI (US)

(**) Term: **14 Years**

(21) Appl. No.: **29/279,757**

(22) Filed: **May 7, 2007**

(51) **LOC (8) Cl.** **23-02**

(52) **U.S. Cl.** **D23/255**

(58) **Field of Classification Search** D23/250–257,
D23/238–243, 244–249; 4/675–678; D8/300,
D8/307–308, 310–312, 321; D6/550; 137/801;
16/110.1, 441

See application file for complete search history.

(56) **References Cited**

U.S. PATENT DOCUMENTS

D312,300 S	*	11/1990	Joerger	D23/241
D314,040 S	*	1/1991	Heieck	D23/238
D331,275 S	*	11/1992	Knapp	D23/238
D457,601 S		5/2002	Gottwald		
D457,939 S		5/2002	Gottwald		
D468,398 S	*	1/2003	Ziemann	D23/238
D473,287 S		4/2003	Hsu		
D479,583 S		9/2003	Citterio		
D482,102 S		11/2003	Wettstein et al.		
D503,217 S		3/2005	Aubry et al.		
D510,612 S		10/2005	Lammel et al.		
D520,605 S	*	5/2006	Gilbert	D23/249
D522,092 S		5/2006	Hoernig		
D534,245 S	*	12/2006	Egli et al.	D23/238
D553,714 S	*	10/2007	Demmer et al.	D23/238

OTHER PUBLICATIONS

Blanco. "Purus I Kitchen Faucet with Side Spray". Model Nos. 157-096-CR and 157-096-ST. Plumbingsupply.com online catalog.

Copyright since 1995 Plumbingsupply.com.

Jado. "Shogun Single Lever Kitchen Faucet with Pull Out Spray." Model No. 827/850. Faucetdirect.com online catalog. Copyright 2000-2006 Improvement Direct, Inc.

Colourwash.co.uk. "Kube Taps". Colourwash.co.uk catalog, p. 16.

* cited by examiner

Primary Examiner—Robert A Delehanty

(74) *Attorney, Agent, or Firm*—Quarles Brady LLP

(57) **CLAIM**

The ornamental design for a faucet body, as shown and described.

DESCRIPTION

In a preferred embodiment, the nature of this product is a body for a faucet.

FIG. 1 is a right, top, front perspective view of a faucet body according to my new design;

FIG. 2 is a front elevational view thereof;

FIG. 3 is a rear elevational view thereof;

FIG. 4 is a right side elevational view thereof;

FIG. 5 is a left side elevational view thereof;

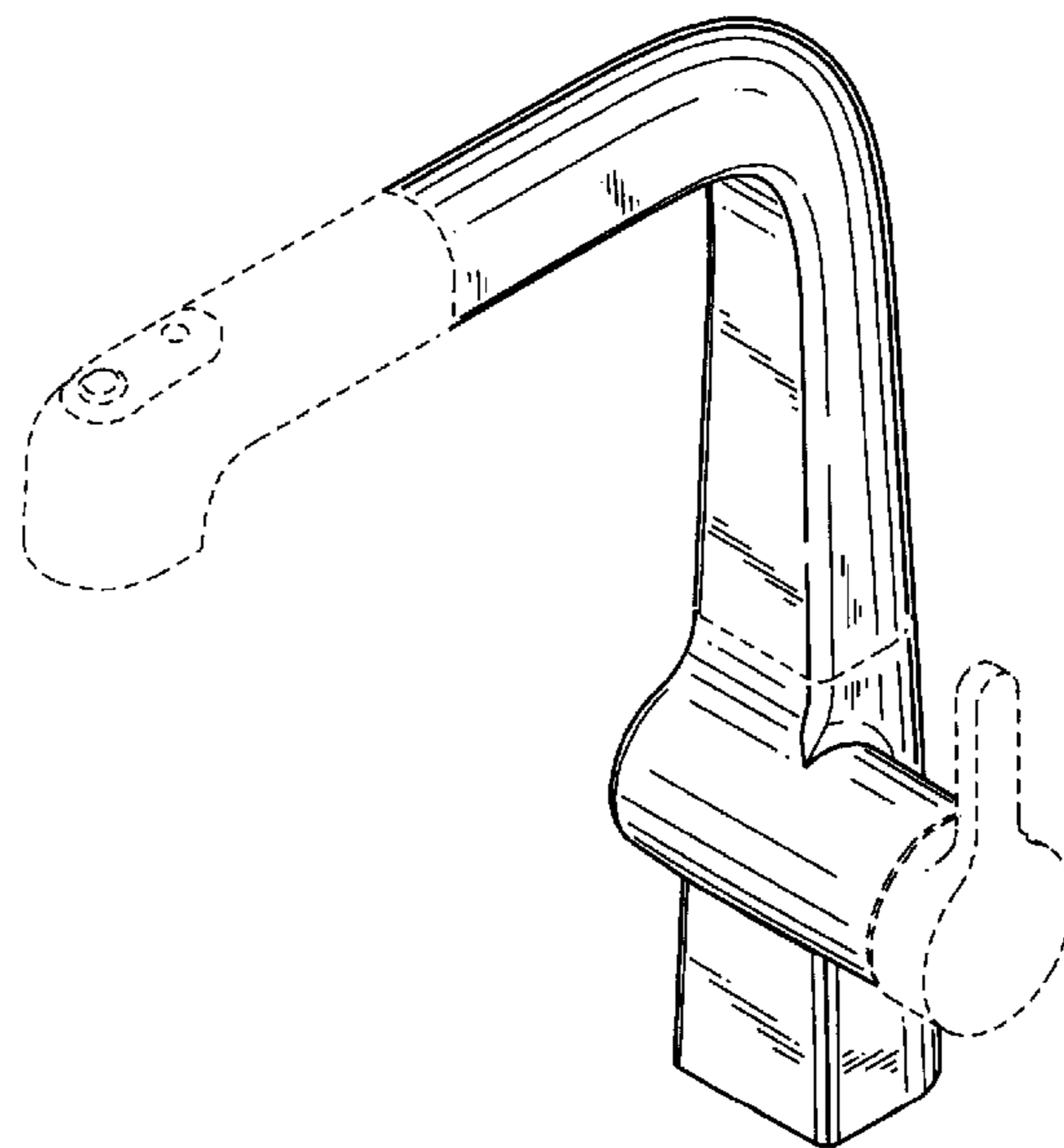
FIG. 6 is a top plan view thereof;

FIG. 7 is a bottom plan view thereof; and,

FIG. 8 is a left, top, front perspective view of a spout body according to another embodiment of our new design, the various views thereof being mirror images of the views shown in FIGS. 2–7.

The broken line representations in the figures, including broken line representations of spray head and handle environment, are for the purpose of illustration only, and form no part of the claimed design.

1 Claim, 6 Drawing Sheets



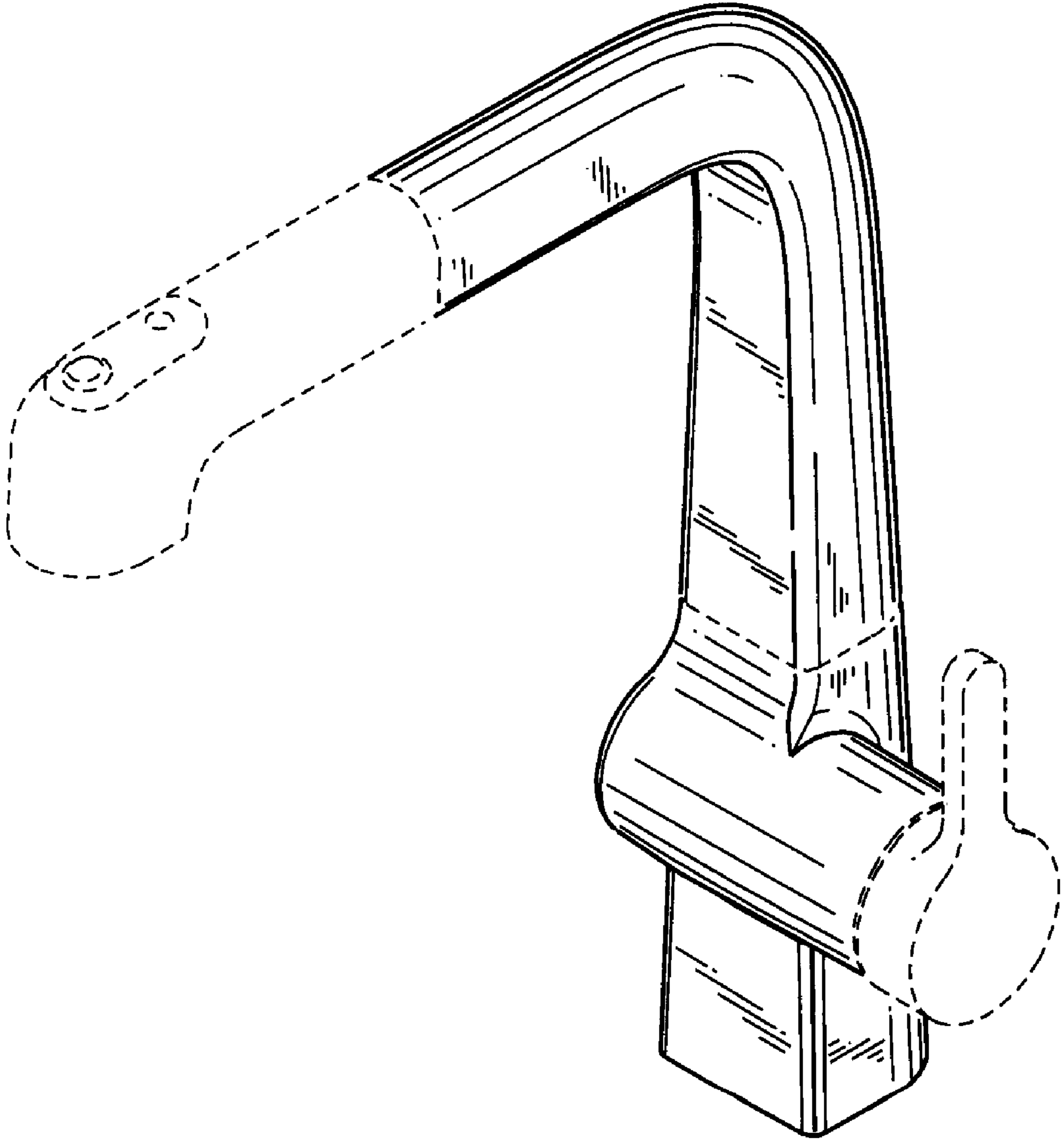


FIG. 1

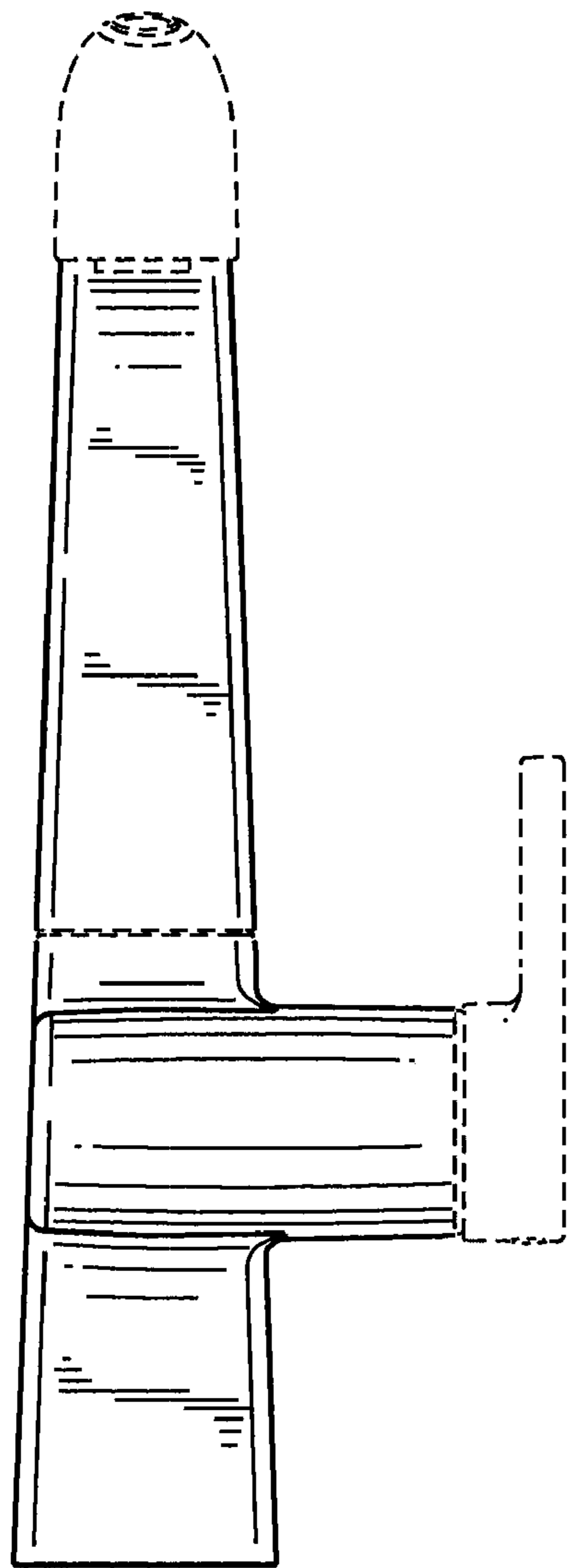


FIG. 2

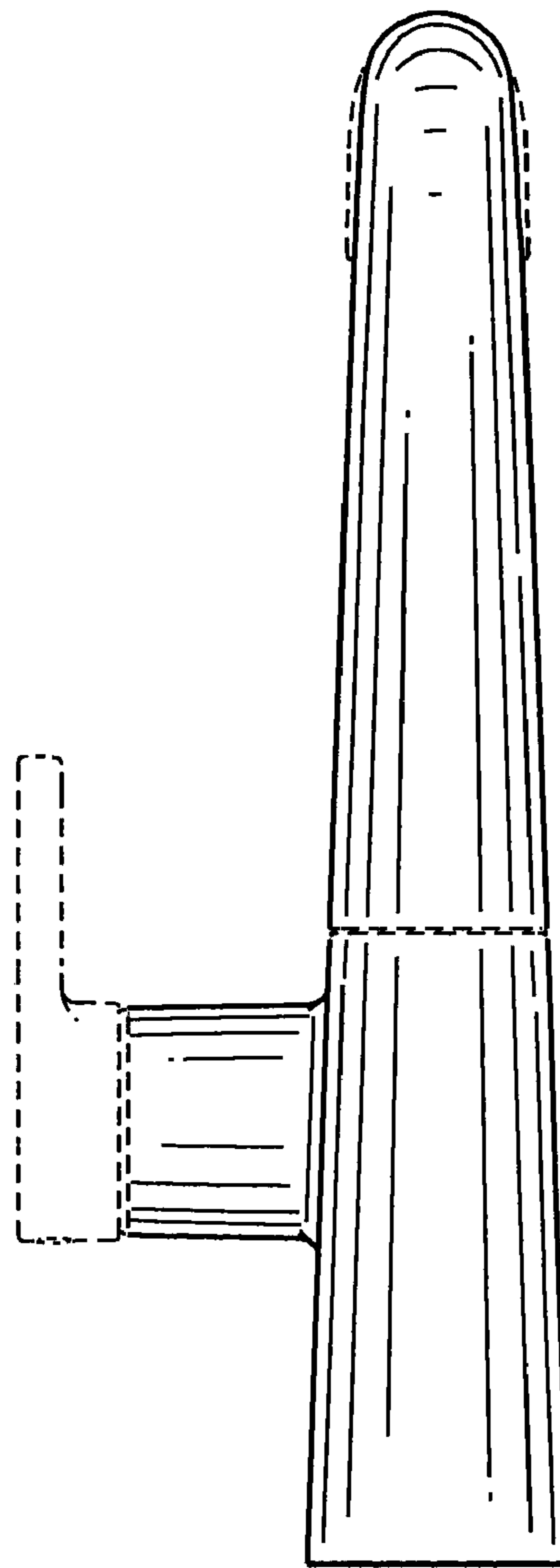


FIG. 3

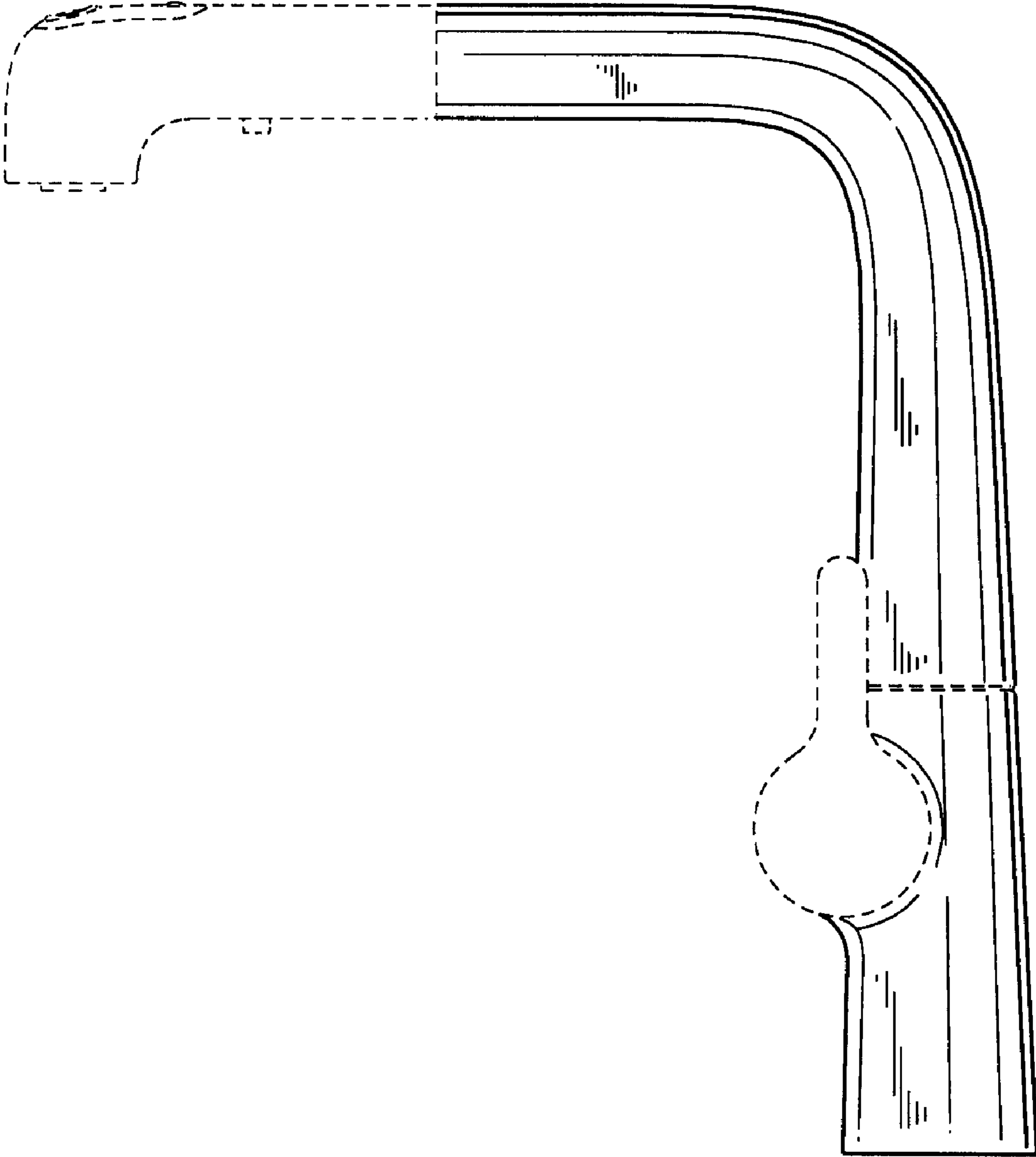


FIG. 4

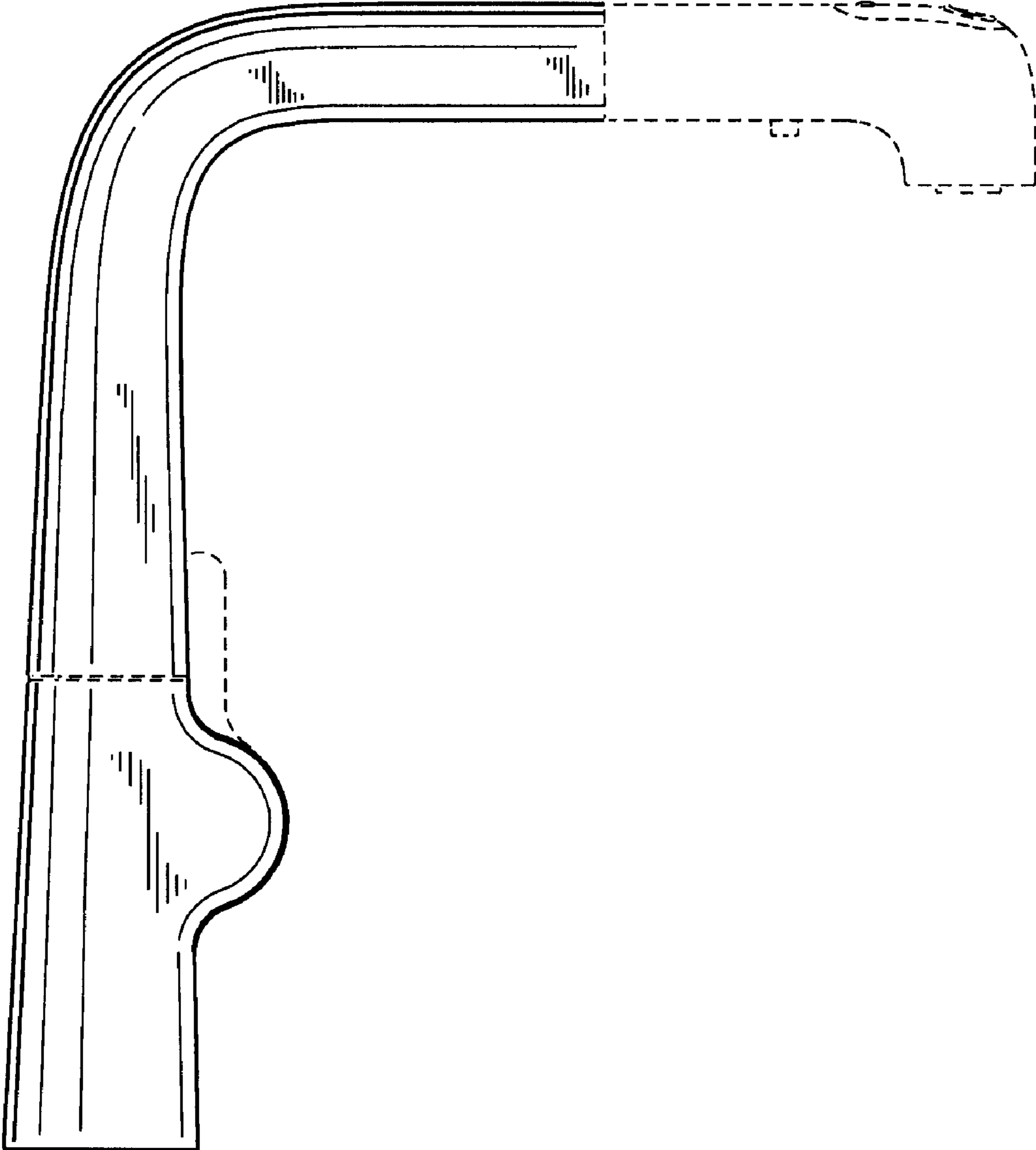


FIG. 5

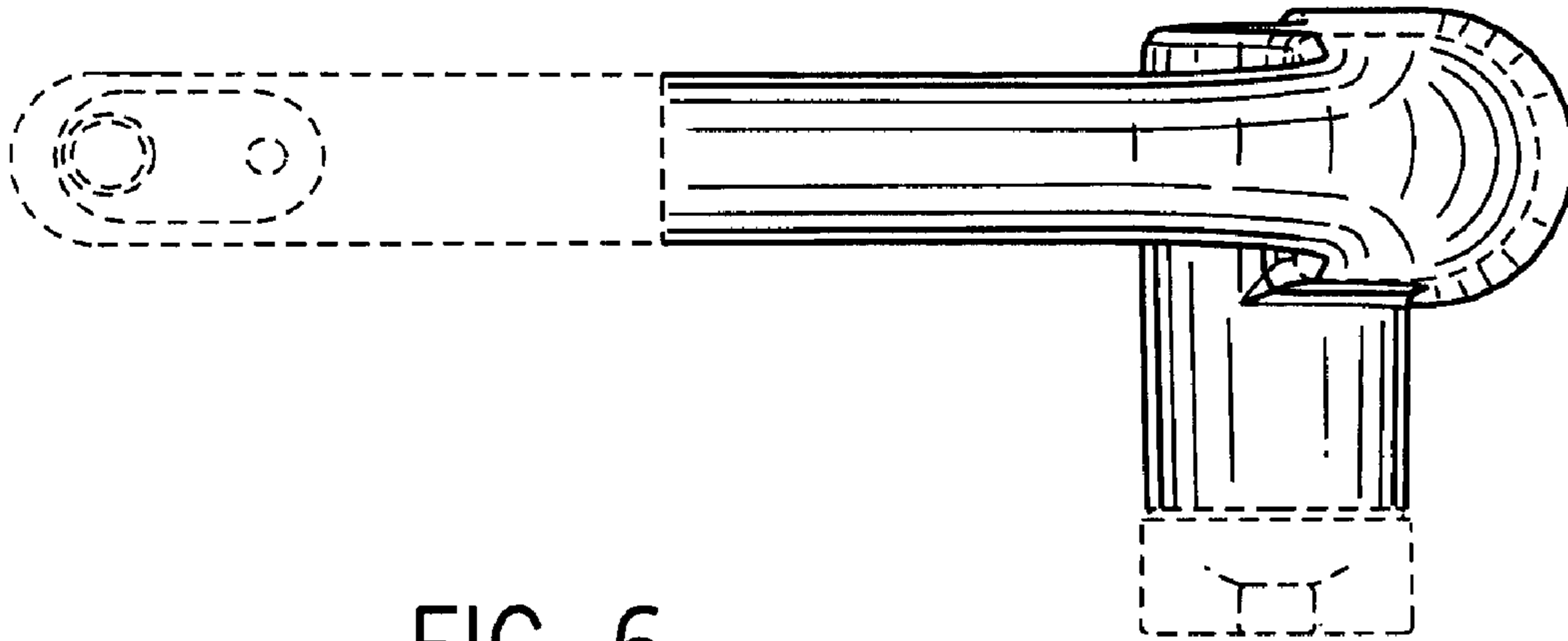


FIG. 6

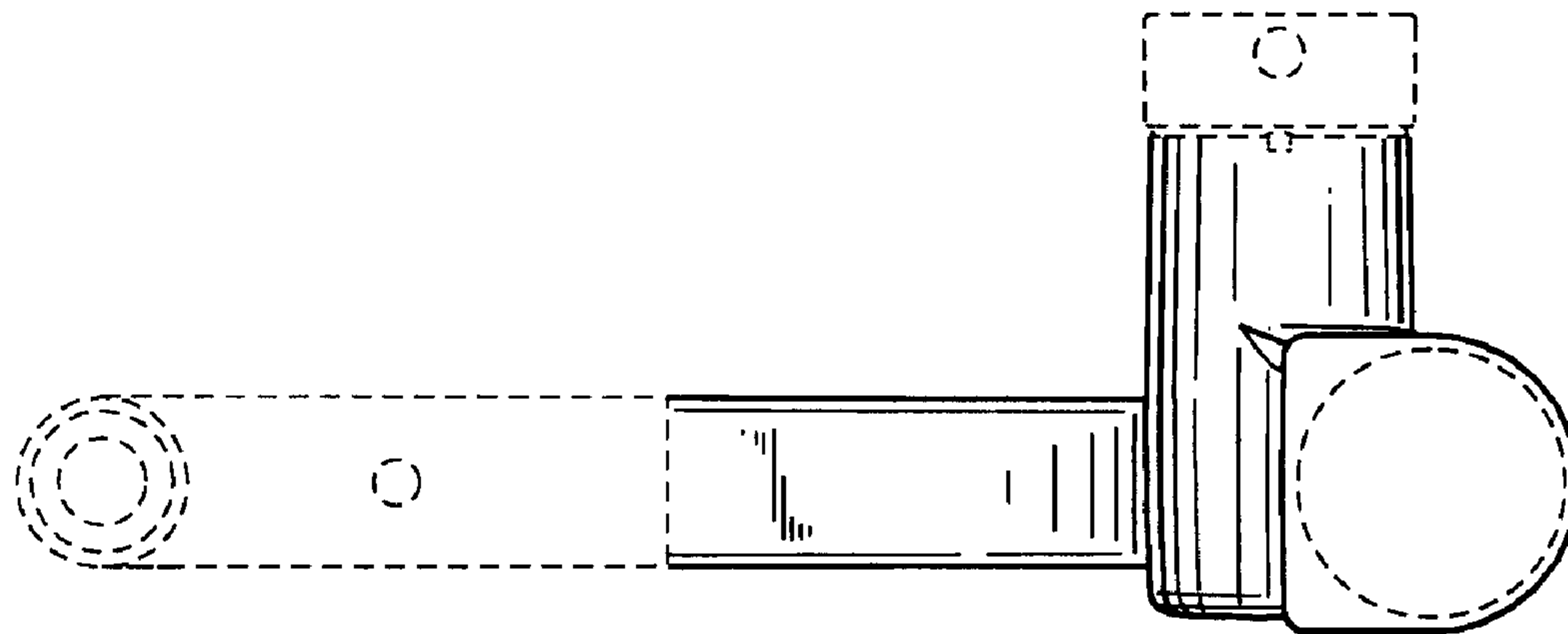


FIG. 7

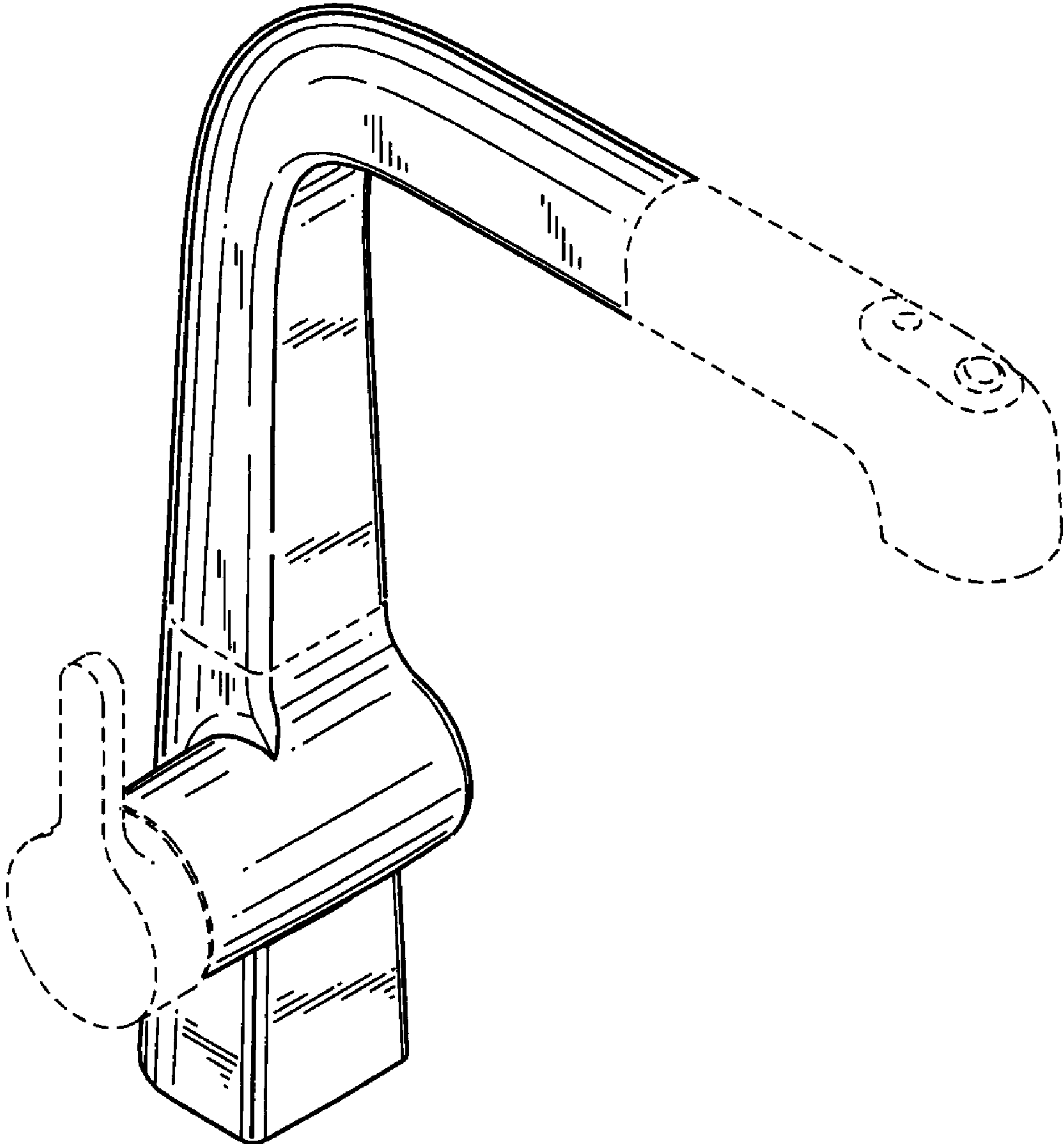


FIG. 8