



US00D574061S

(12) **United States Design Patent**  
**Rexach**

(10) **Patent No.:** **US D574,061 S**  
(45) **Date of Patent:** **\*\* Jul. 29, 2008**

(54) **PLUMBING FITTING**

(75) Inventor: **Rafael A. Rexach**, Kohler, WI (US)

(73) Assignee: **Kohler Co.**, Kohler, WI (US)

(\*\*) Term: **14 Years**

(21) Appl. No.: **29/250,590**

(22) Filed: **Nov. 22, 2006**

(51) **LOC (8) Cl.** ..... **23-02**

(52) **U.S. Cl.** ..... **D23/254**

(58) **Field of Classification Search** ..... D23/250–257,  
D23/238–243, 244–249; 4/675–678; D8/300,  
D8/307–308, 310–312, 321; D6/550; 137/801;  
16/110.1, 441

See application file for complete search history.

(56) **References Cited**

**U.S. PATENT DOCUMENTS**

D76,995 S	11/1928	Fraser	
D83,923 S	4/1931	Sakier	
D83,924 S	4/1931	Sakier	
D85,612 S *	11/1931	Gaynor	..... D8/353
D300,238 S	3/1989	Kohler, Jr. et al.	
D510,412 S	10/2005	Lammel et al.	
D511,805 S	11/2005	Otero	
D534,250 S *	12/2006	Barry	..... D23/254

**OTHER PUBLICATIONS**

Kohler Co. "Pinstripe Rite-Temp" pressure-balancing shower faucet trim. Model No. K-T13134-3B. Kohler Co. online catalog. Copyright 2007 Kohler Co.

Kohler Co. "Pinstripe Pure Rite-Temp" pressure-balancing bath and shower faucet trim. Model No. K-T13133-3A. Kohler Co. online catalog. Copyright 2007 Kohler Co.

Malibu Lavatory Faucet with Cross Handles in Chrome. Ebay online. Kohler Co. "Bancroft". Model No. K-10577-4P. Kohler Co. online catalog. Copyright 2007 by Kohler Co.

\* cited by examiner

*Primary Examiner*—Robert A Delehanty

(74) *Attorney, Agent, or Firm*—Quarles & Brady LLP

(57) **CLAIM**

The ornamental design for a plumbing fitting, as shown and described.

**DESCRIPTION**

In a preferred embodiment, the nature of this product is as a plumbing fitting in the form of a wall plate escutcheon for a shower and bath control.

FIG. 1 is a left, top, front perspective view of a plumbing fitting according to my new design;

FIG. 2 is a front elevational view thereof;

FIG. 3 is a left side elevational view thereof, the right side elevational view thereof being a mirror image of the left side shown;

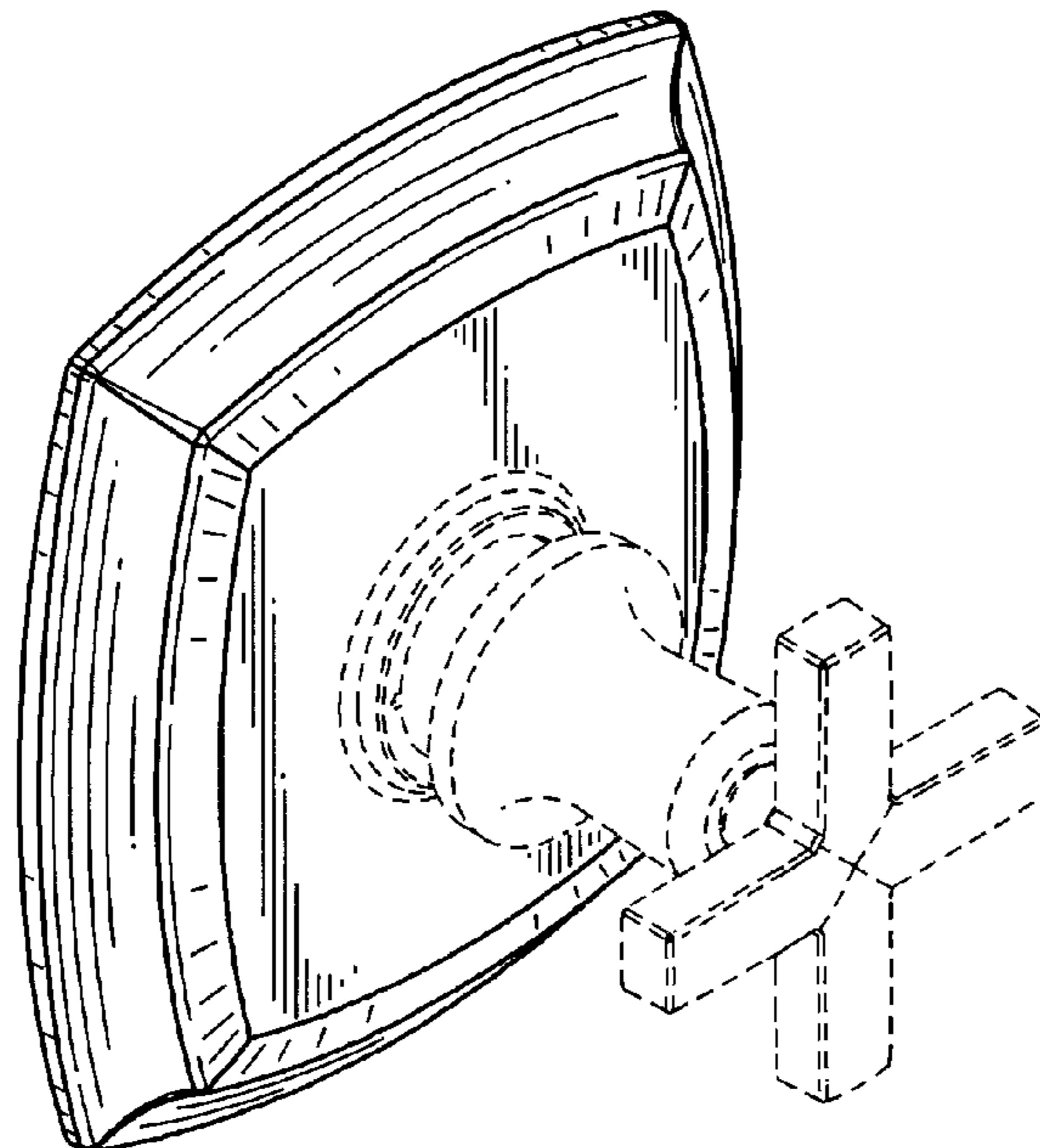
FIG. 4 is a top plan view thereof, the bottom plan view thereof being a mirror image of the top view shown;

FIG. 5 is a rear elevational view thereof; and,

FIG. 6 is a left, top, front perspective view of a plumbing fitting as shown in FIG. 1 albeit having a diverter control shown in phantom.

The broken line representations of handle and bonnet environment in FIGS. 1–4, rear wall structure in FIG. 5 and diverter control environment in FIG. 6, are for the purpose of illustration only, and form no part of the claimed design.

**1 Claim, 4 Drawing Sheets**



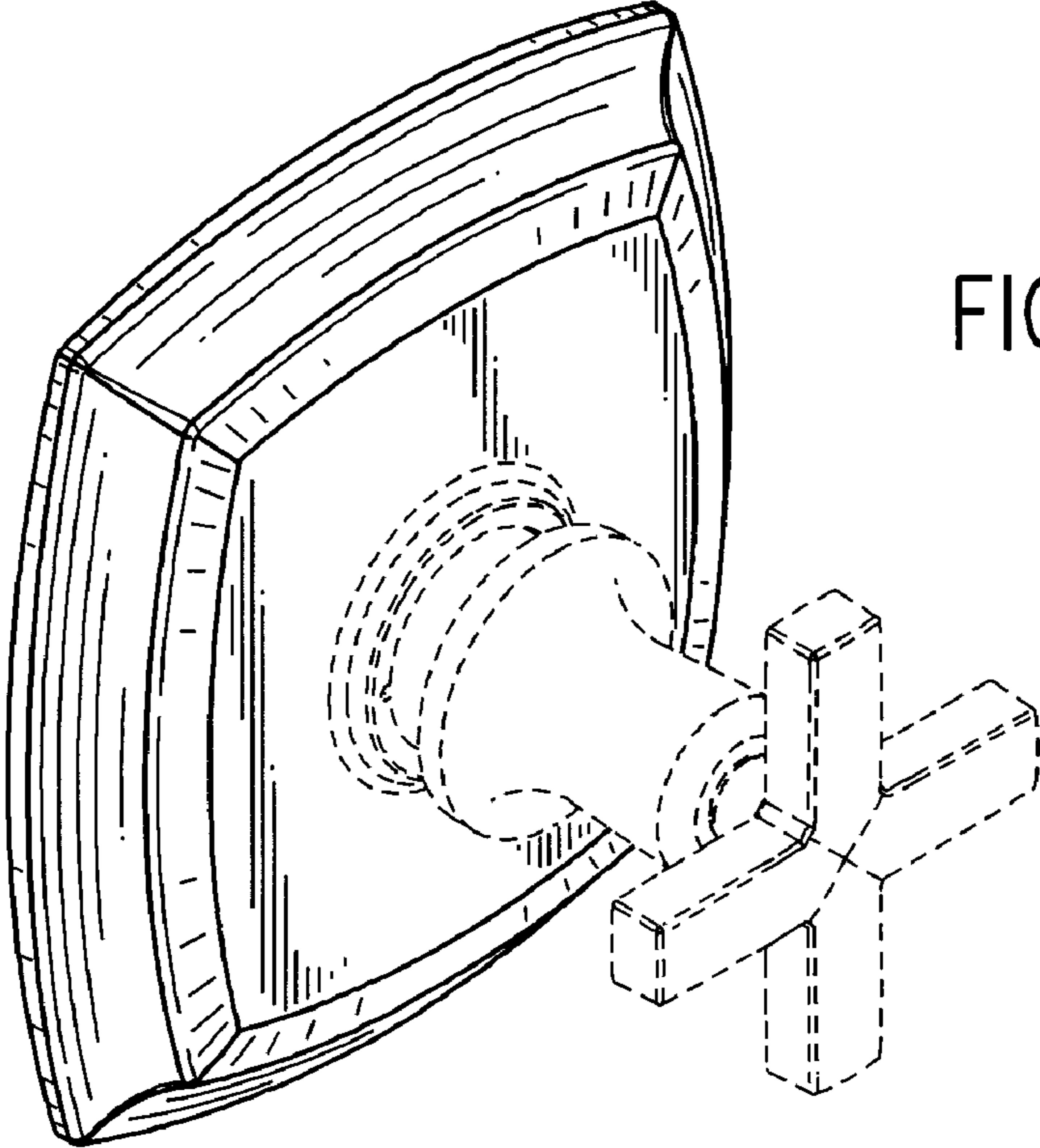


FIG. 1

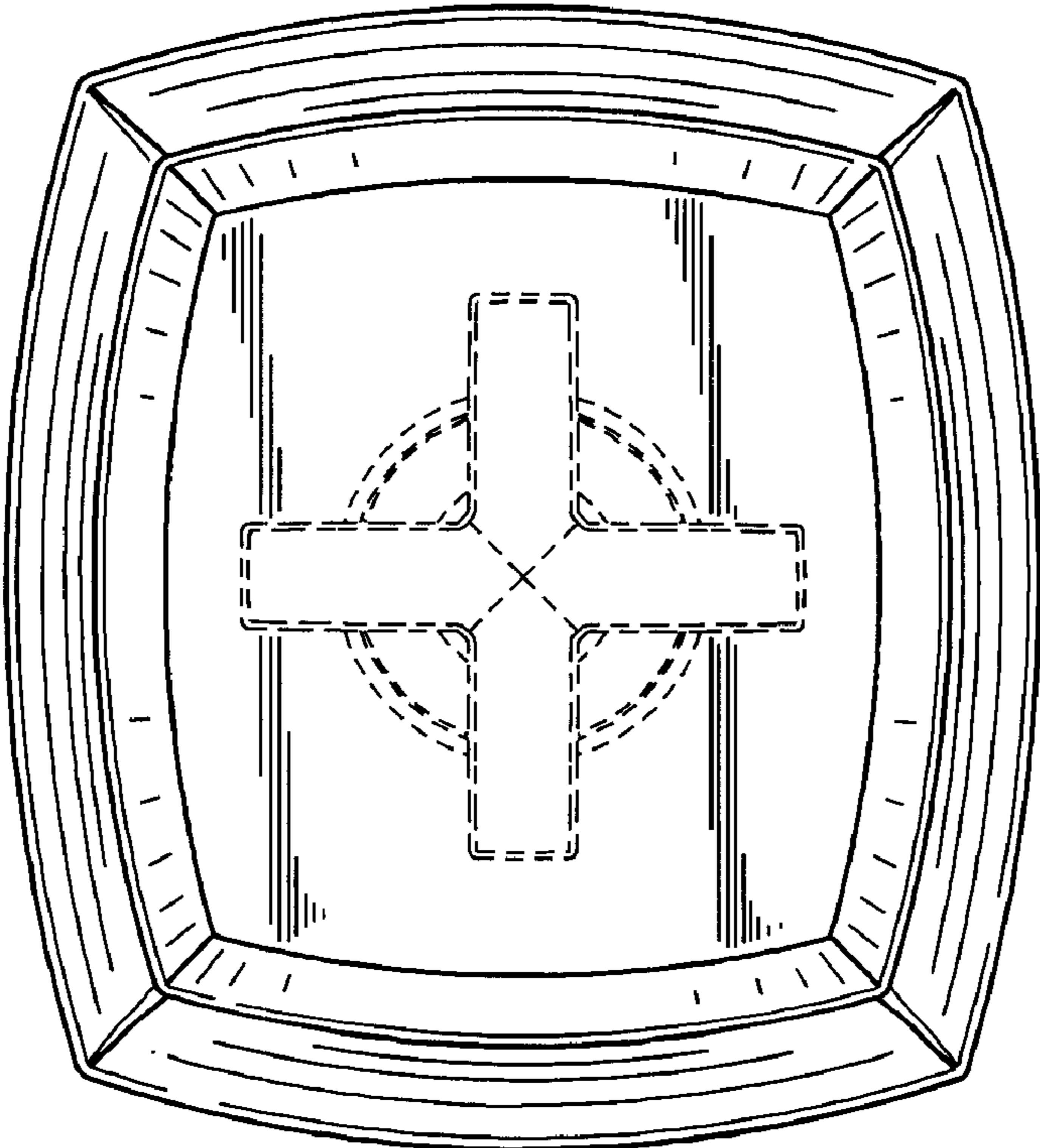


FIG. 2

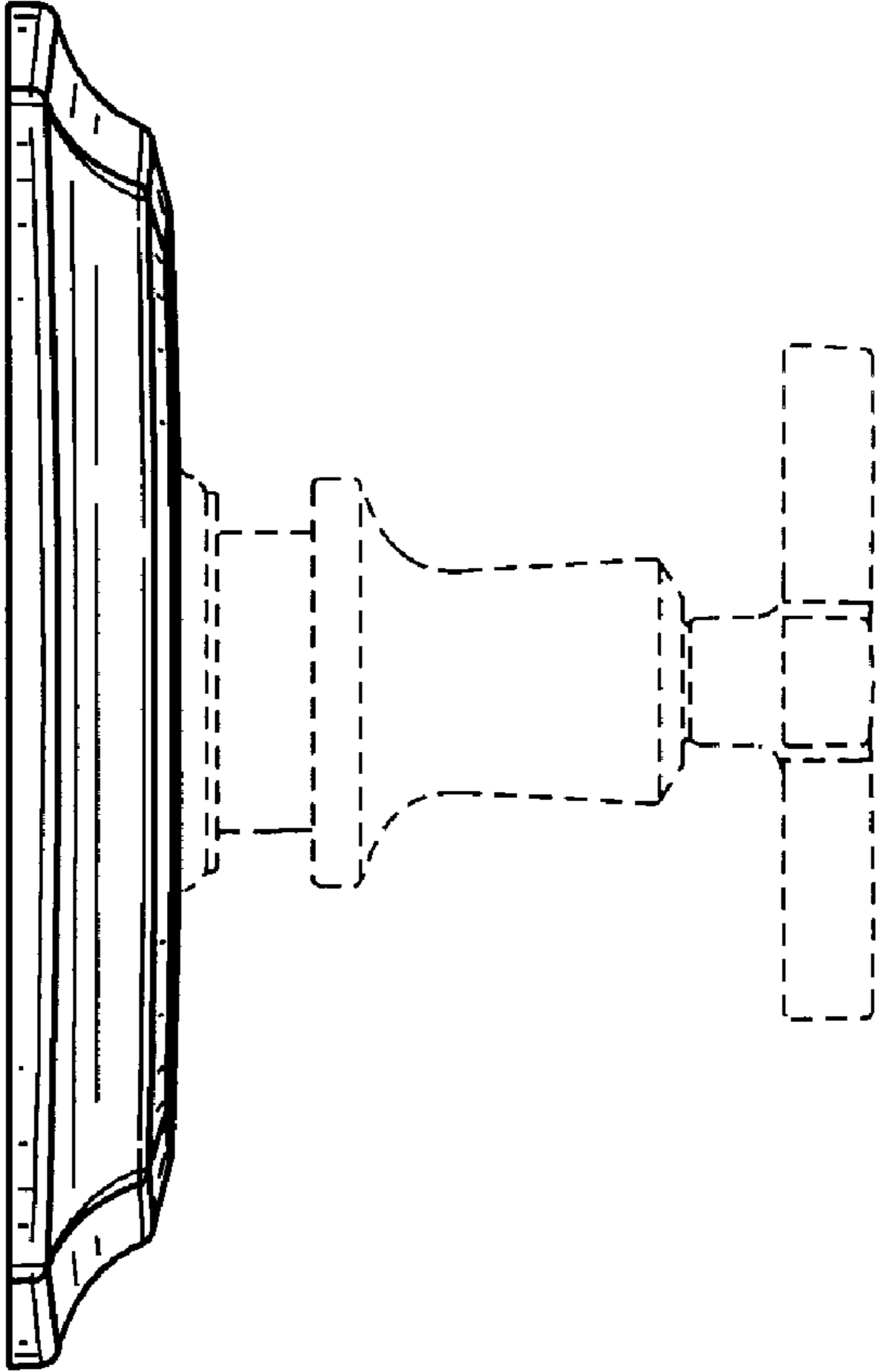


FIG. 3

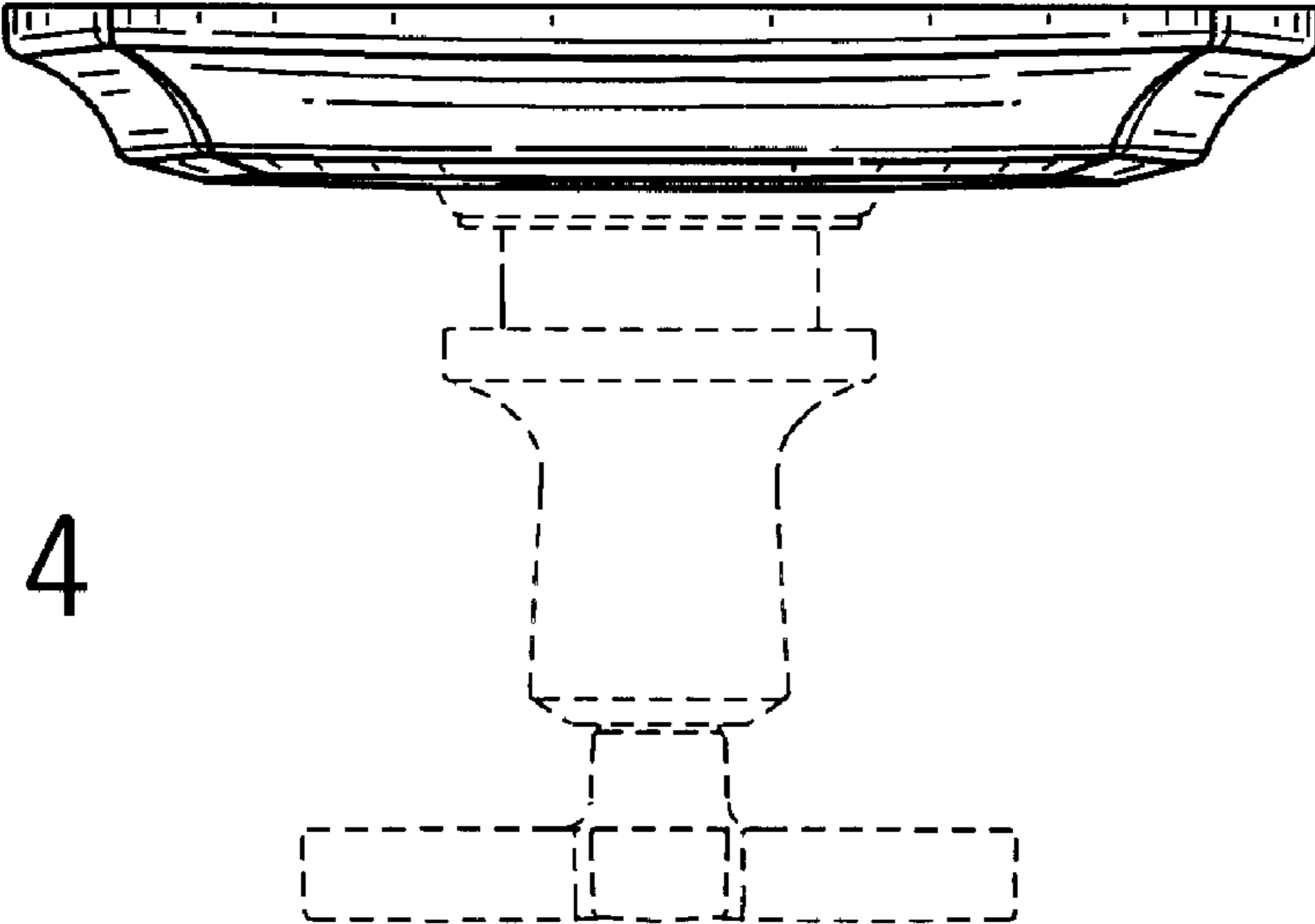


FIG. 4

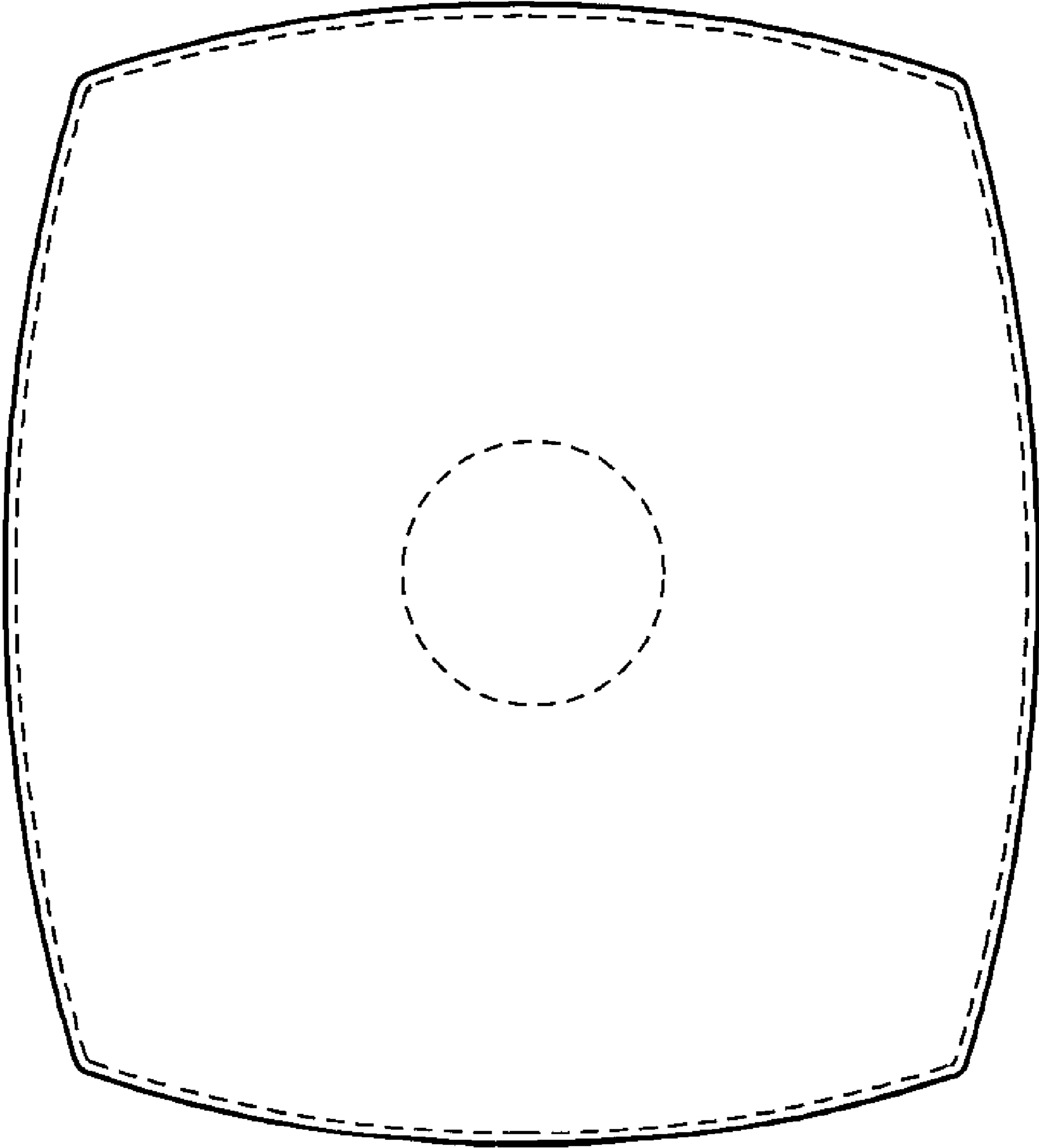


FIG. 5

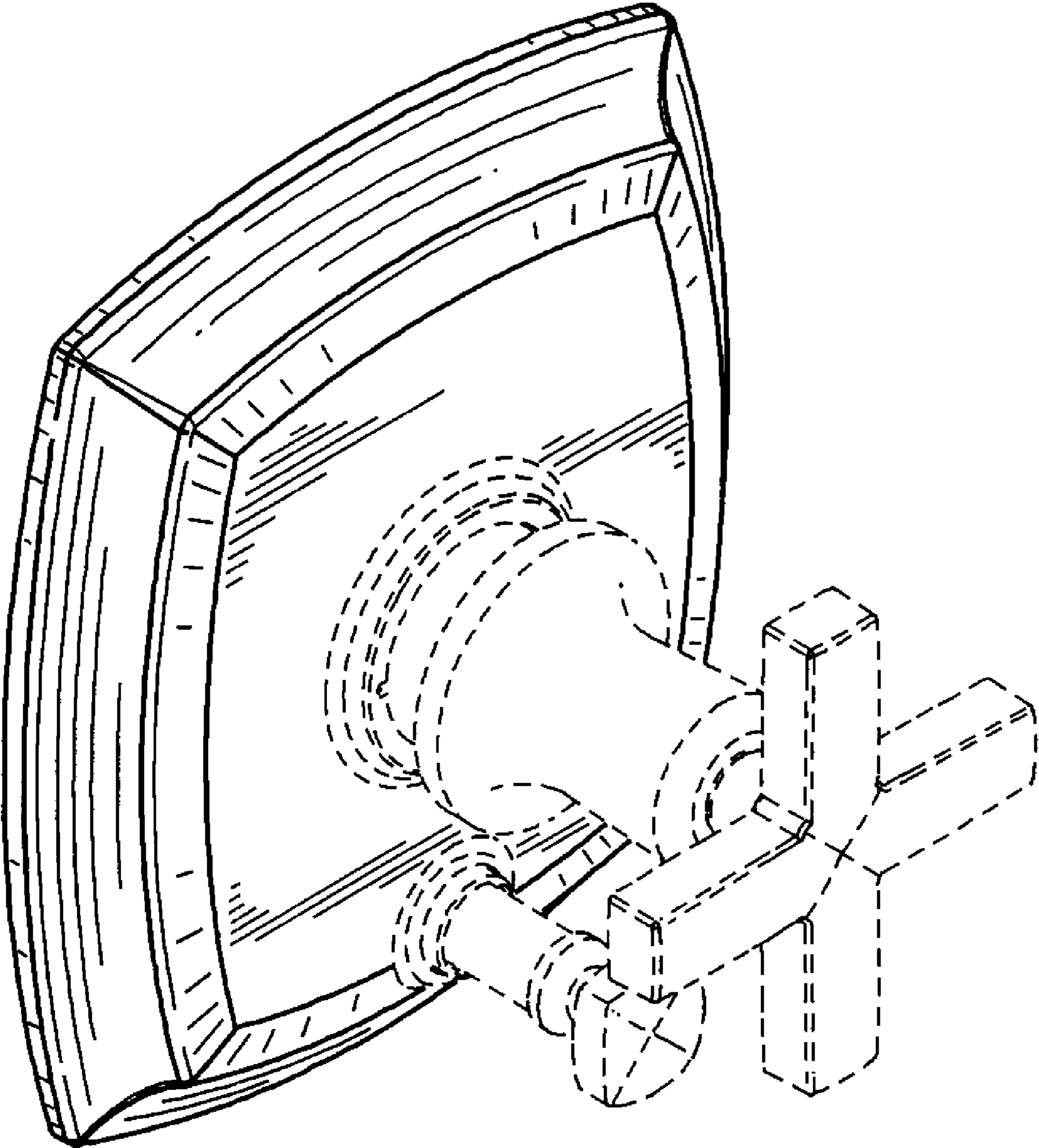


FIG. 6