



US00D574060S

(12) **United States Design Patent**
Yin

(10) **Patent No.:** **US D574,060 S**
(45) **Date of Patent:** **** Jul. 29, 2008**

(54) **FAUCET**

D515,671 S * 2/2006 Toyohara D23/241

(76) Inventor: **Cheng Tsang Yin**, No. 48-30, Pucai Road, Puyan Township, Changhua County (TW)

* cited by examiner

Primary Examiner—Robert A Delehanty
(74) *Attorney, Agent, or Firm*—Rosenberg, Klein & Lee

(**) Term: **14 Years**

(57) **CLAIM**

(21) Appl. No.: **29/269,275**

The ornamental design for a “faucet,” as shown and described.

(22) Filed: **Nov. 28, 2006**

DESCRIPTION

(51) **LOC (8) Cl.** **23-02**

FIG. 1 is a perspective view of a faucet, showing my new design;

(52) **U.S. Cl.** **D23/241**

FIG. 2 is a front view thereof;

(58) **Field of Classification Search** D23/250–257,
D23/238–243, 244–249; 4/675–678; D8/300,
D8/307–308, 310–312, 321; D6/550; 137/801;
16/110.1, 441

FIG. 3 is a back view thereof;

FIG. 4 is a left side view thereof;

See application file for complete search history.

FIG. 5 is a right side view thereof;

FIG. 6 is a top view thereof; and,

FIG. 7 is a bottom view thereof.

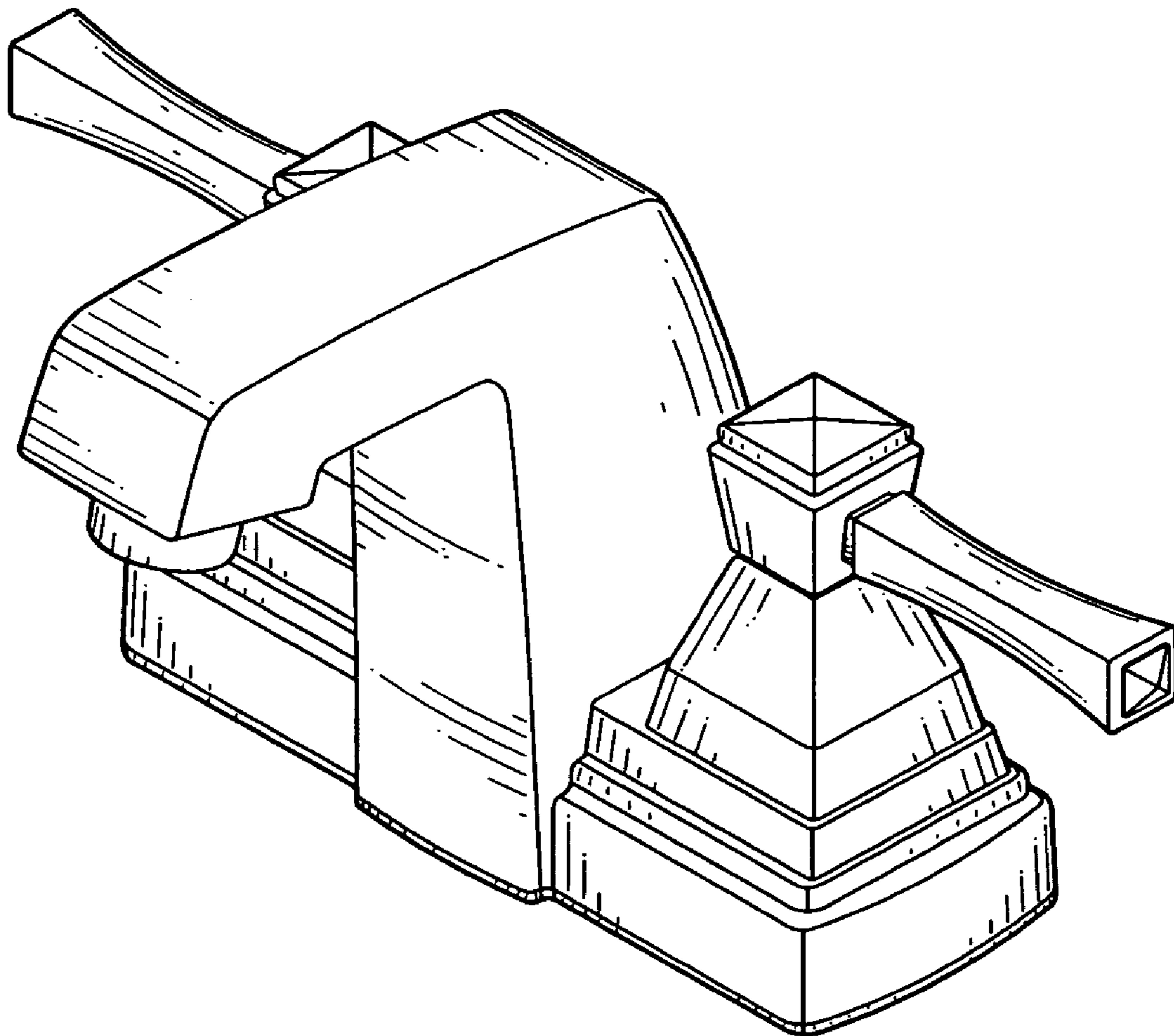
(56) **References Cited**

U.S. PATENT DOCUMENTS

D461,527 S * 8/2002 Ko D23/241

D511,371 S * 11/2005 Chen D23/241

1 Claim, 7 Drawing Sheets



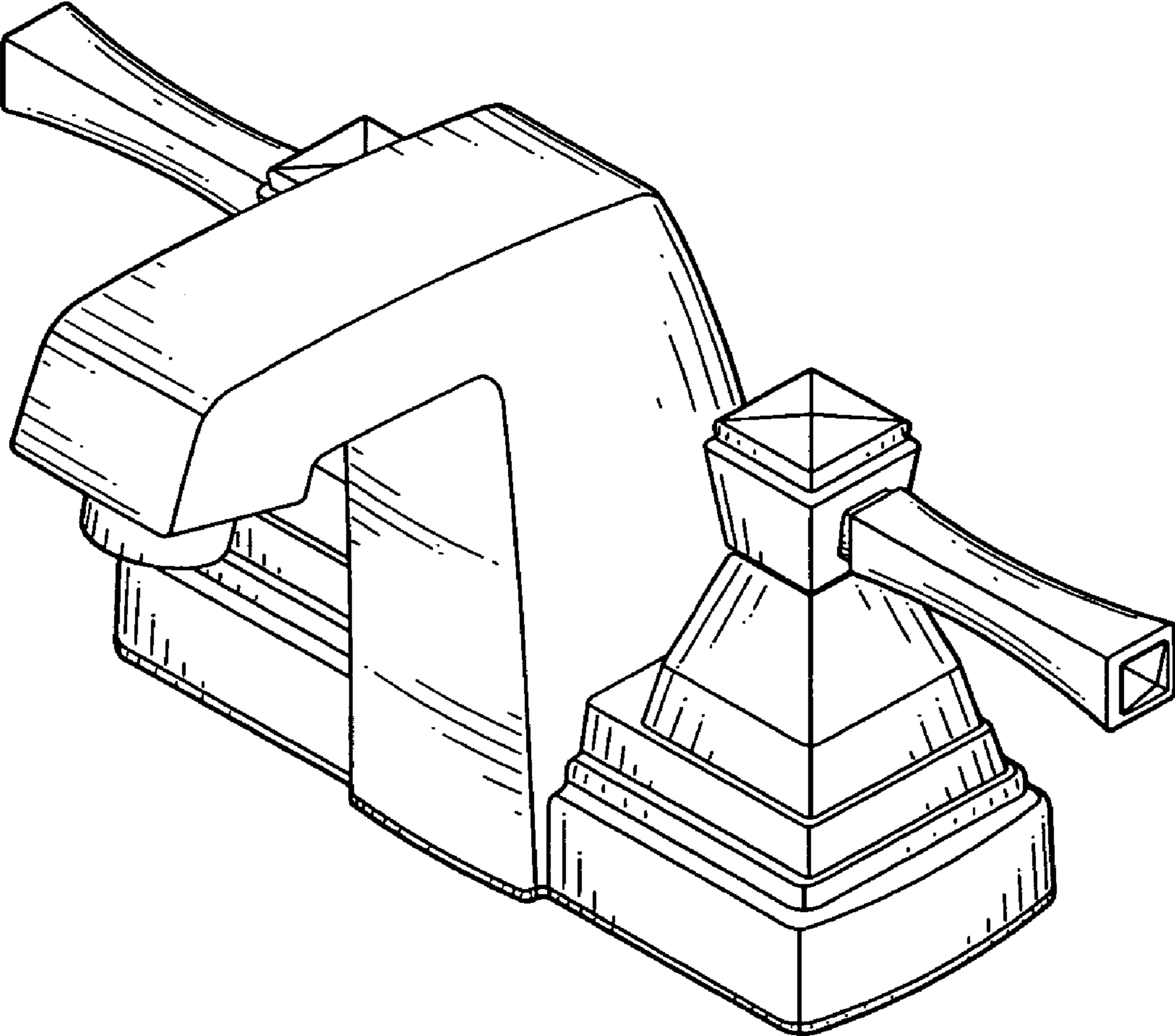


FIG. 1

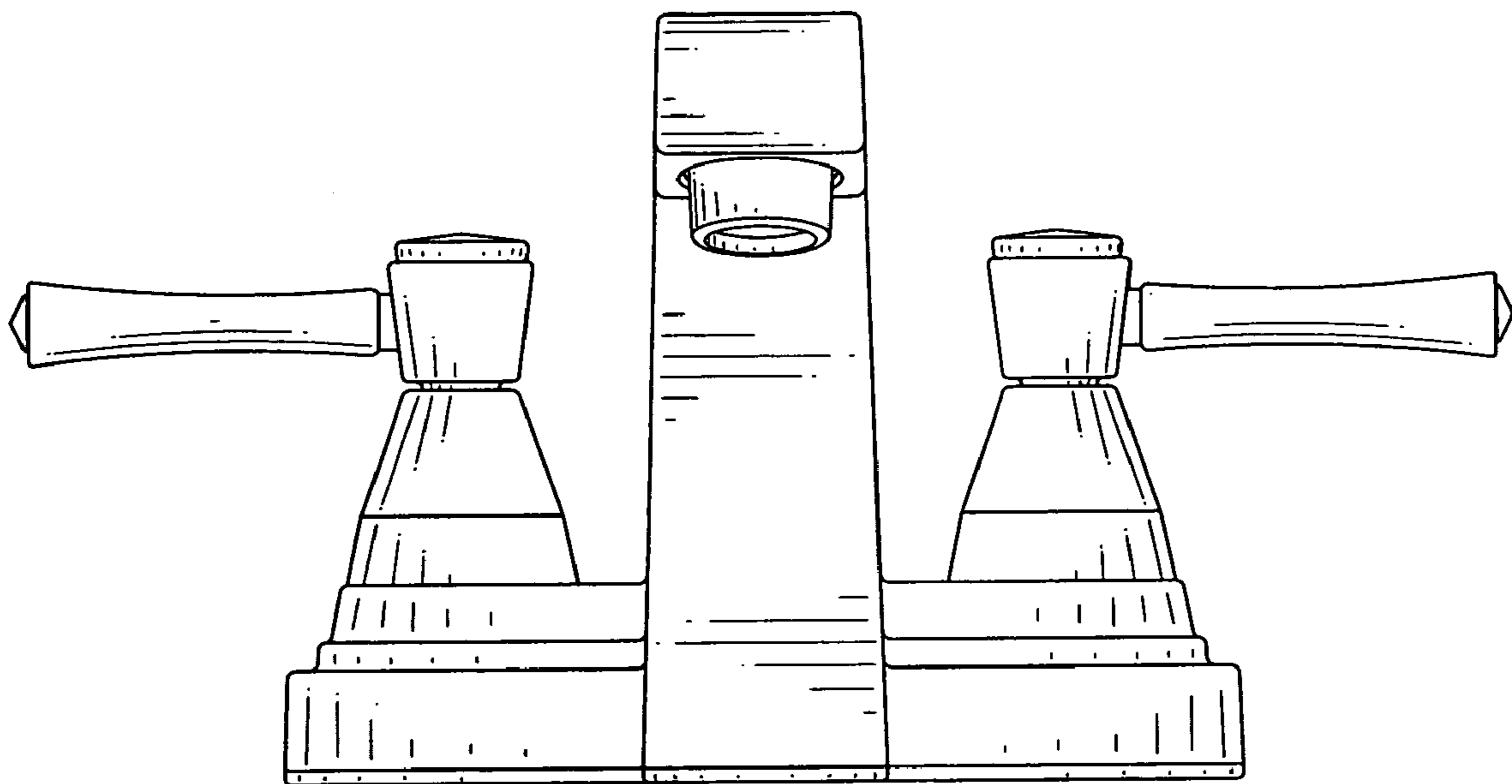


FIG. 2

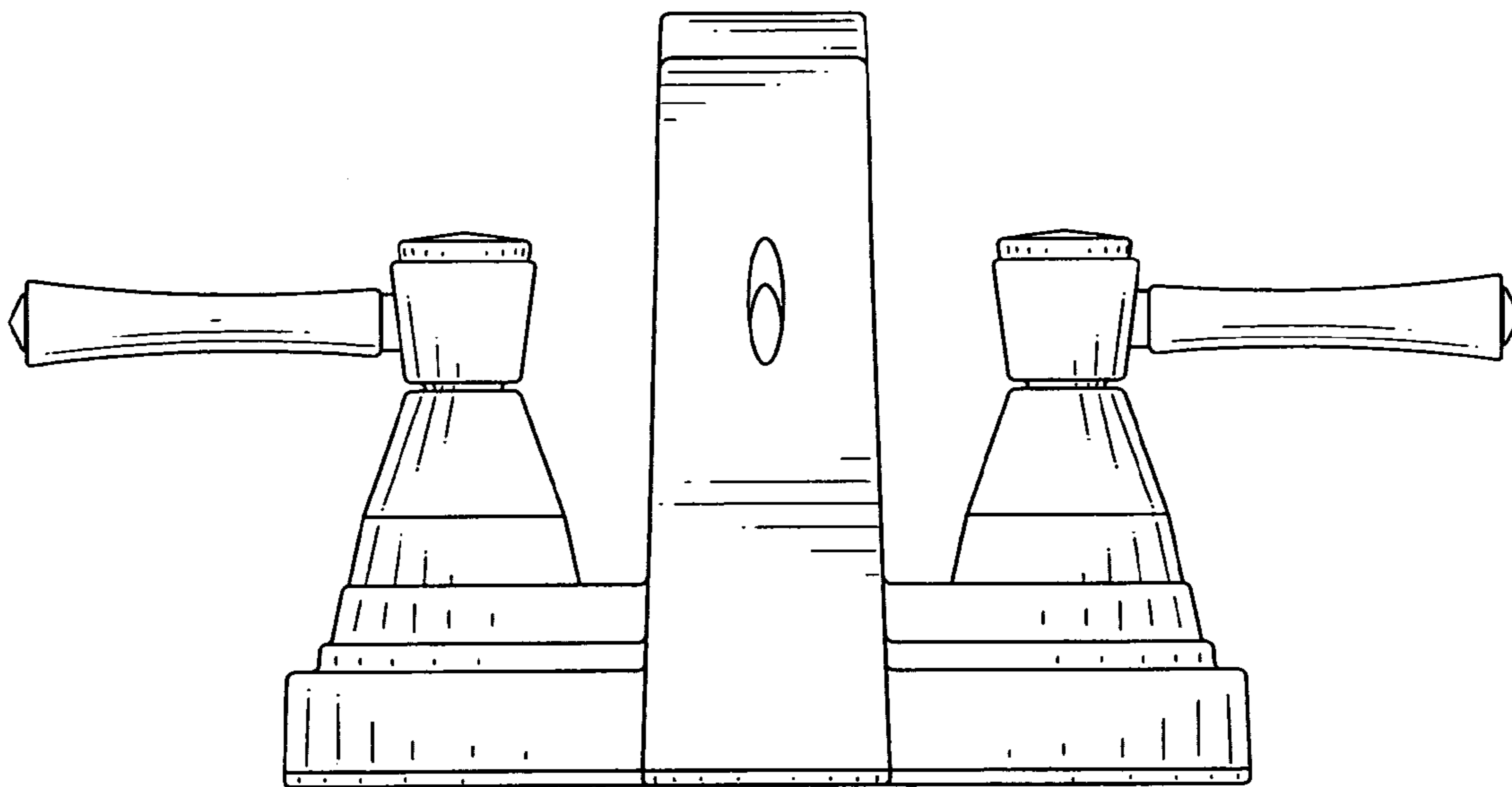


FIG. 3

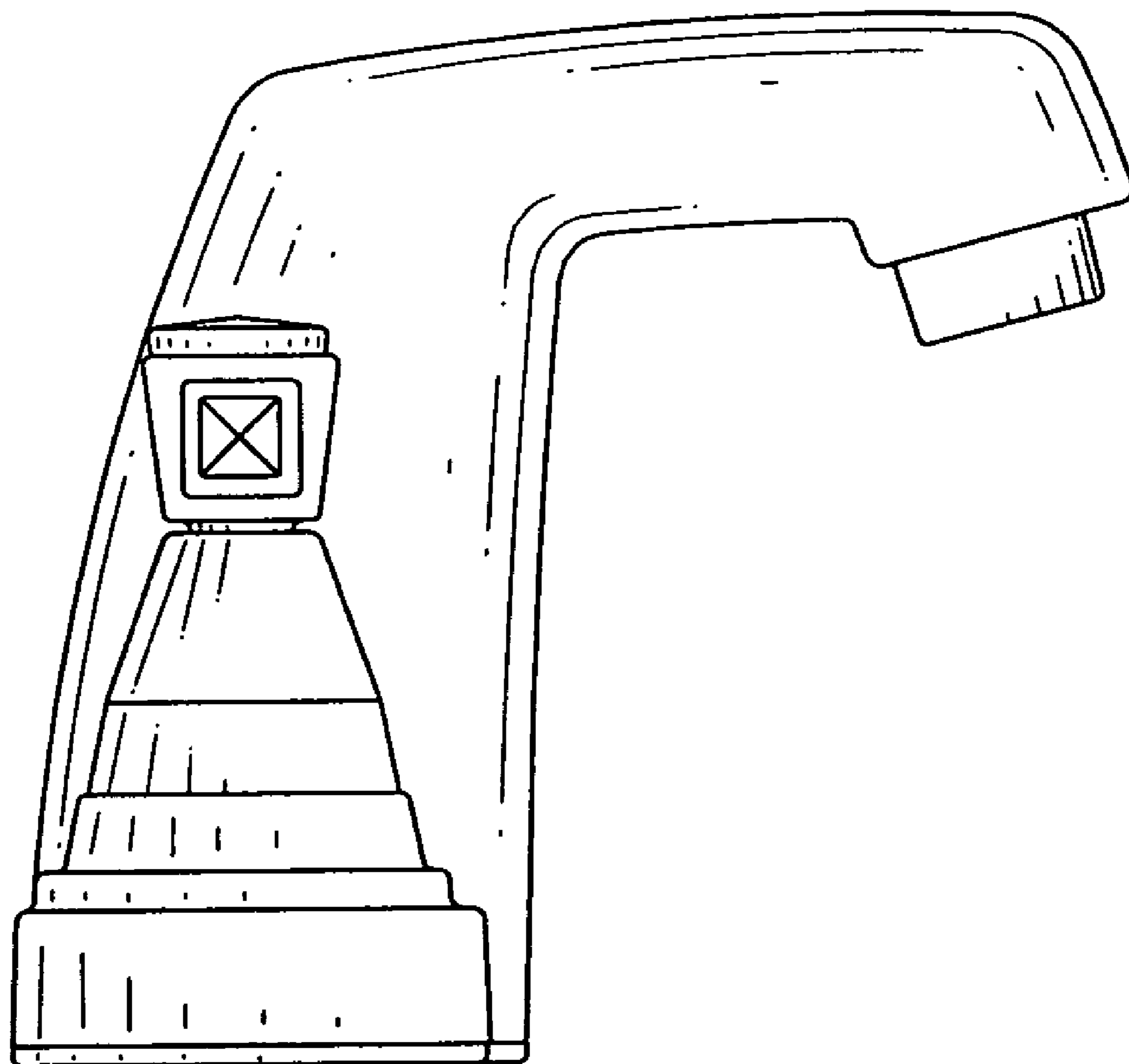


FIG. 4

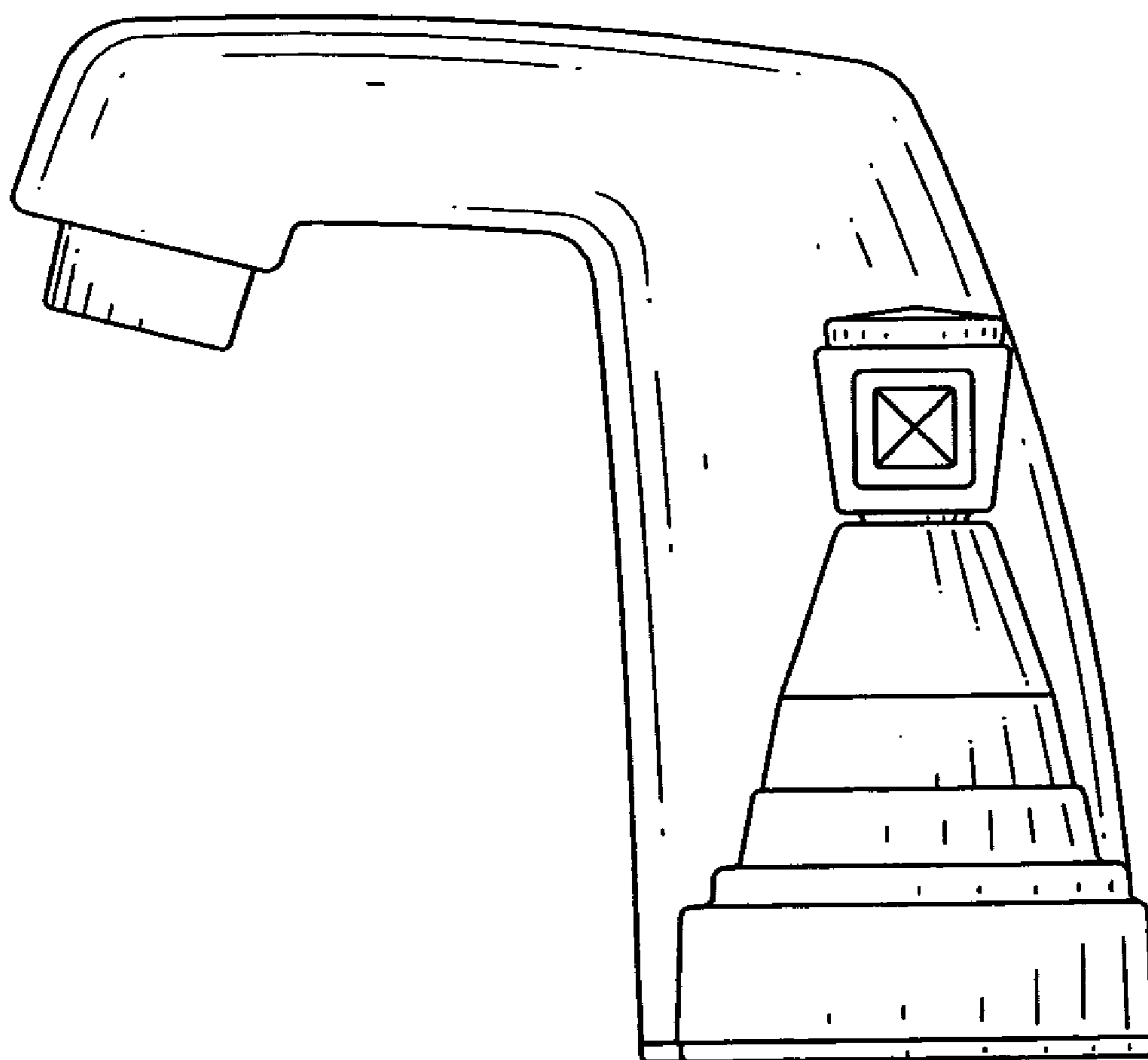


FIG. 5

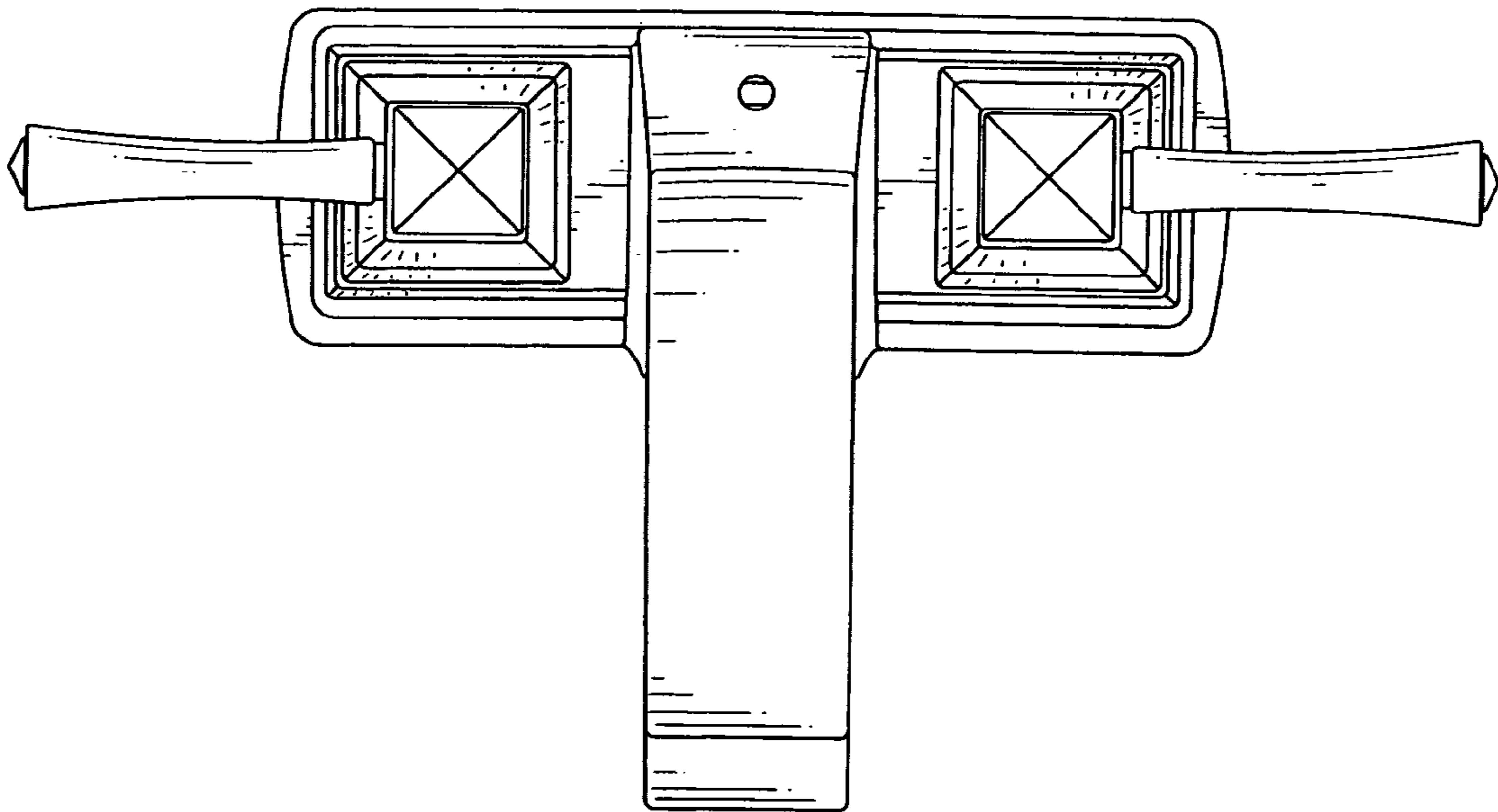


FIG. 6

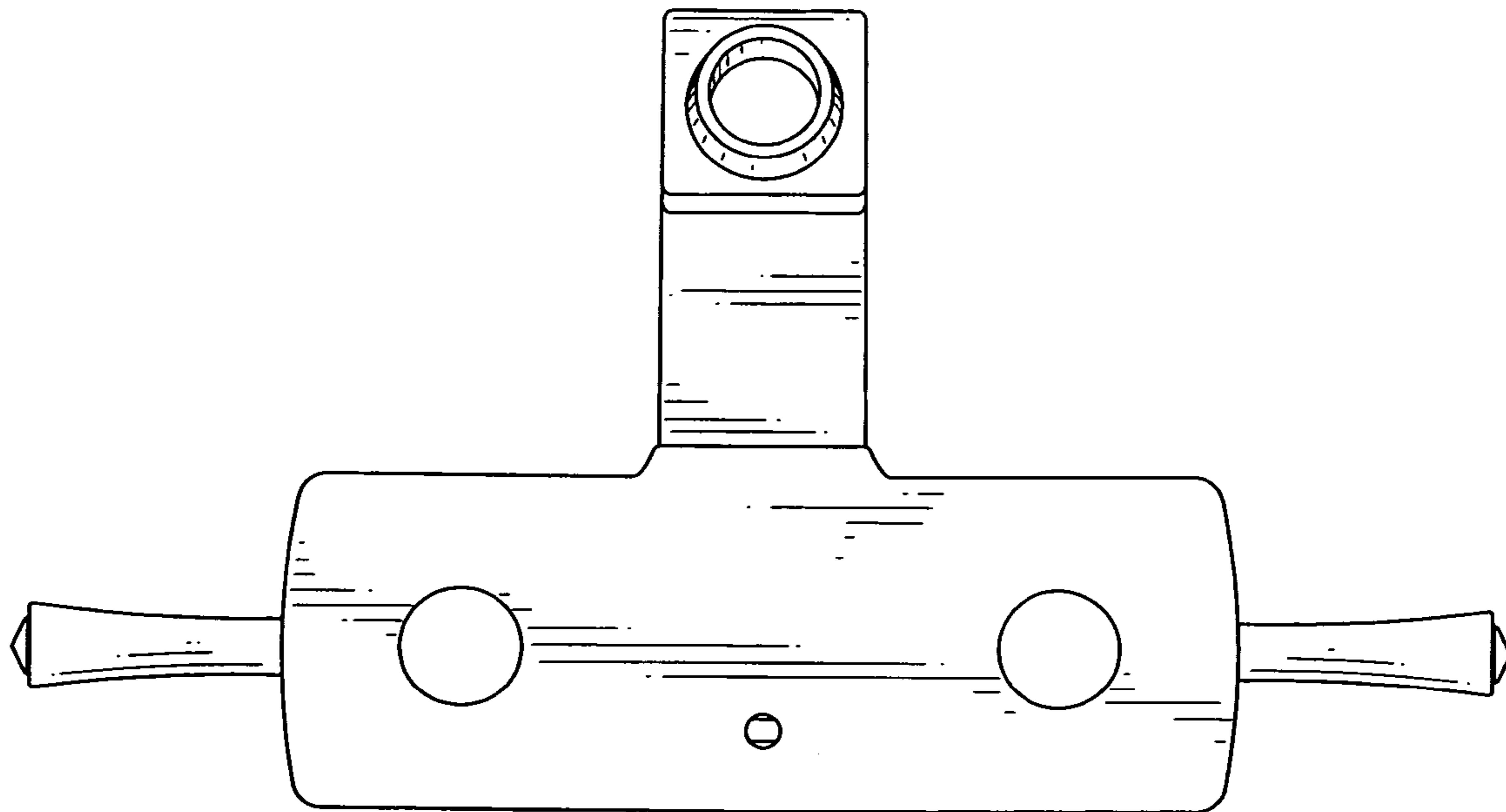


FIG. 7