



US00D574056S

(12) **United States Design Patent**
McNamara et al.

(10) **Patent No.:** **US D574,056 S**
(45) **Date of Patent:** **** Jul. 29, 2008**

(54) **INSECTICIDE REFILL DEVICE**

(75) Inventors: **Mark McNamara**, New South Wales (AU); **Benjamin Hindle**, New South Wales (AU); **Jurg Bartholdi**, Victoria (AU); **Daniel Craven**, New South Wales (AU); **Graeme Bruce Smith**, New South Wales (AU); **Graham Norman Duell**, Victoria (AU); **Kon Wong**, Victoria (AU)

(73) Assignee: **Reckitt Benckiser (Australia) Pty Limited**, West Ryde, New South Wales (AU)

(**) Term: **14 Years**

(21) Appl. No.: **29/257,597**

(22) Filed: **Apr. 6, 2006**

(30) **Foreign Application Priority Data**

Oct. 10, 2005 (JP) 000413927

(51) **LOC (8) Cl.** **22-06**

(52) **U.S. Cl.** **D22/122**

(58) **Field of Classification Search** D22/122, D22/119-124; D2/865-866; 43/107, 131, 43/132.1, 133, 124; 424/84; 220/4.01
See application file for complete search history.

(56) **References Cited**

U.S. PATENT DOCUMENTS

D451,573 S * 12/2001 Clark et al. D22/122
D505,478 S * 5/2005 Mondelli et al. D22/122

2003/0014903 A1* 1/2003 Clark et al. 43/107
2008/0014171 A1* 1/2008 Zuhlke et al. 424/84

* cited by examiner

Primary Examiner—Catherine R Oliver

(57) **CLAIM**

The ornamental design for an insecticide refill device, as shown and described.

DESCRIPTION

FIG. 1 is a front, left and top perspective view of a first embodiment of our insecticide refill device;

FIG. 2 is a front view of the first embodiment thereof;

FIG. 3 is a rear view of the first embodiment thereof;

FIG. 4 is a right side view of the first embodiment thereof;

FIG. 5 is a left side view of the first embodiment thereof;

FIG. 6 is a top plan view of the first embodiment thereof;

FIG. 7 is a bottom plan view of the first embodiment thereof;

FIG. 8 is a front, left and top perspective view of a second embodiment of our insecticide refill device;

FIG. 9 is a front view of the second embodiment thereof;

FIG. 10 is a rear view of the second embodiment thereof;

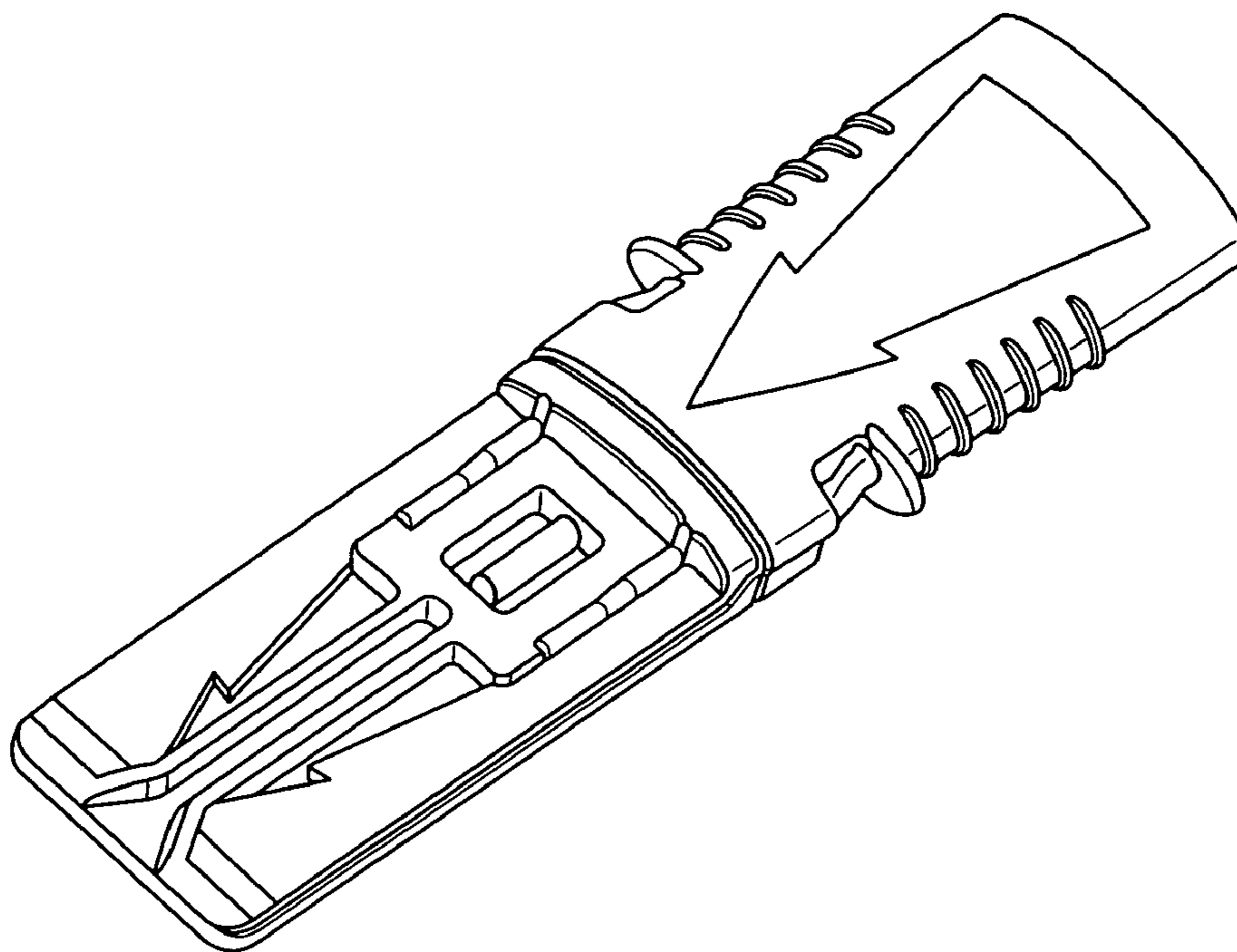
FIG. 11 is a right side view of the second embodiment thereof;

FIG. 12 is a left side view of the second embodiment thereof;

FIG. 13 is a top plan view of the second embodiment thereof; and,

FIG. 14 is a bottom plan view of the second embodiment.

1 Claim, 6 Drawing Sheets



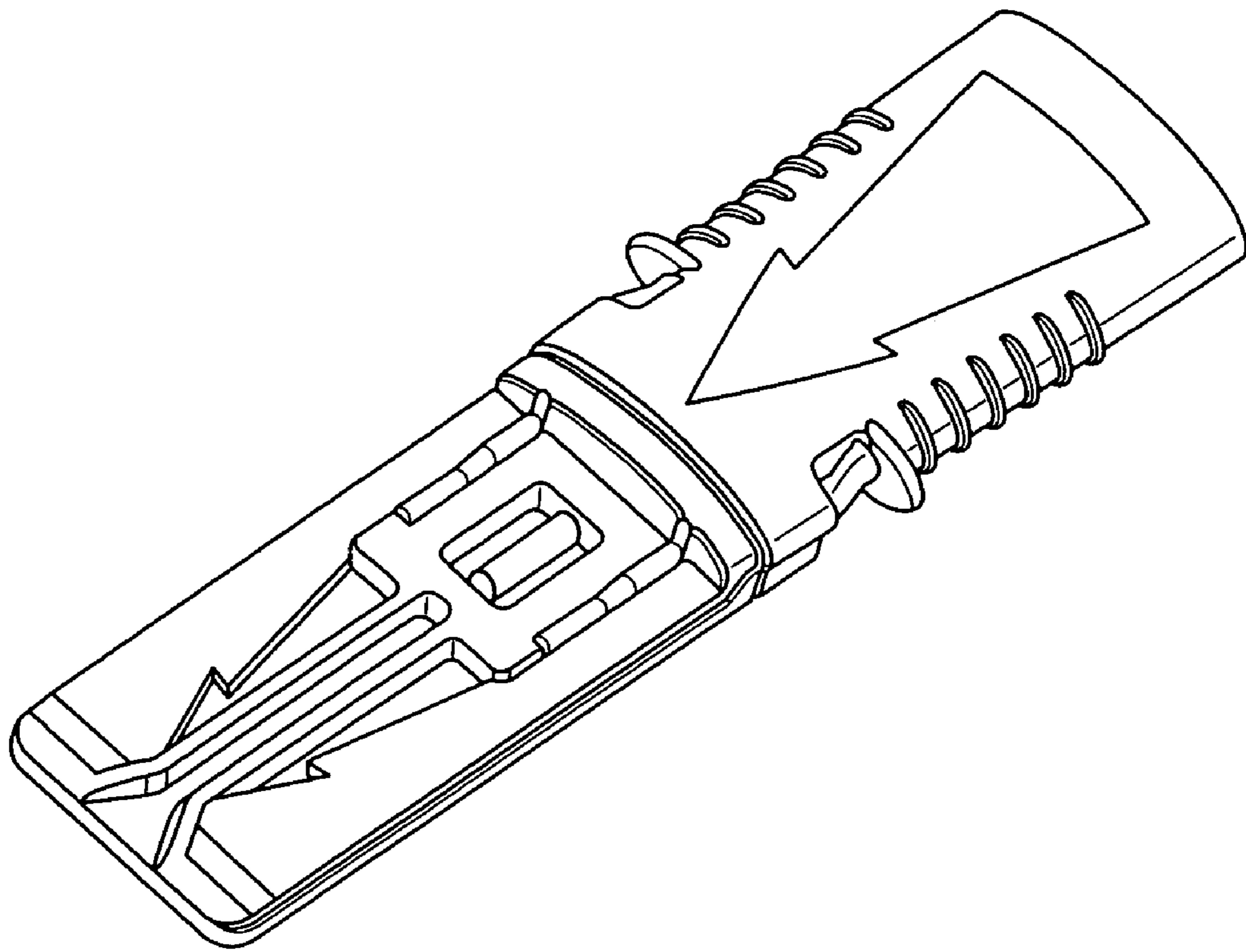


Fig. 1

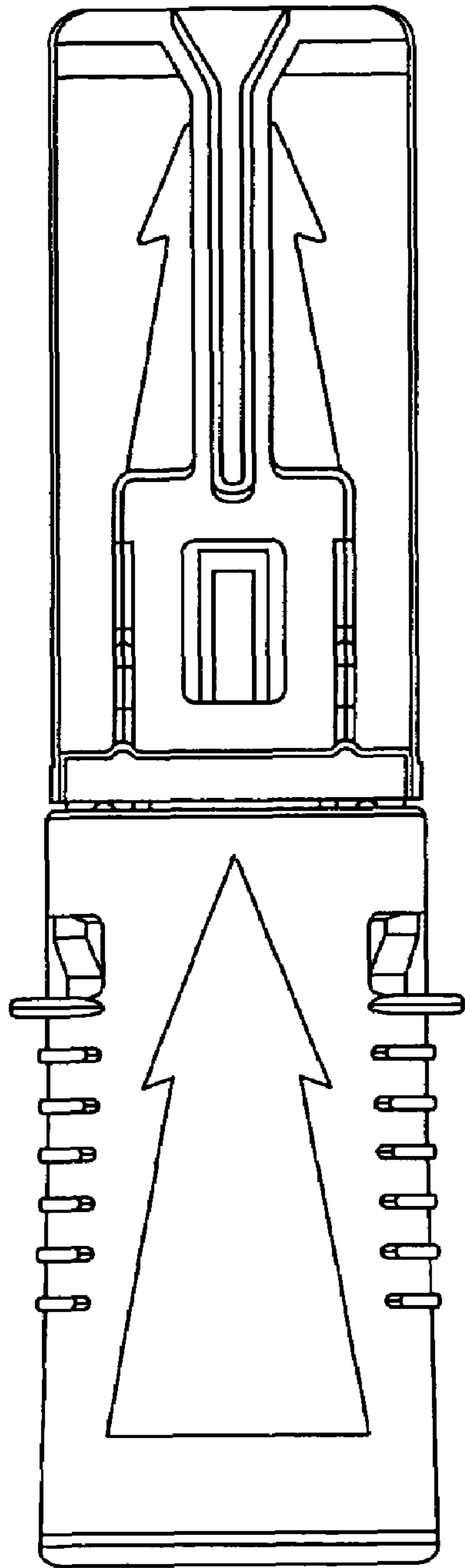


Fig. 2

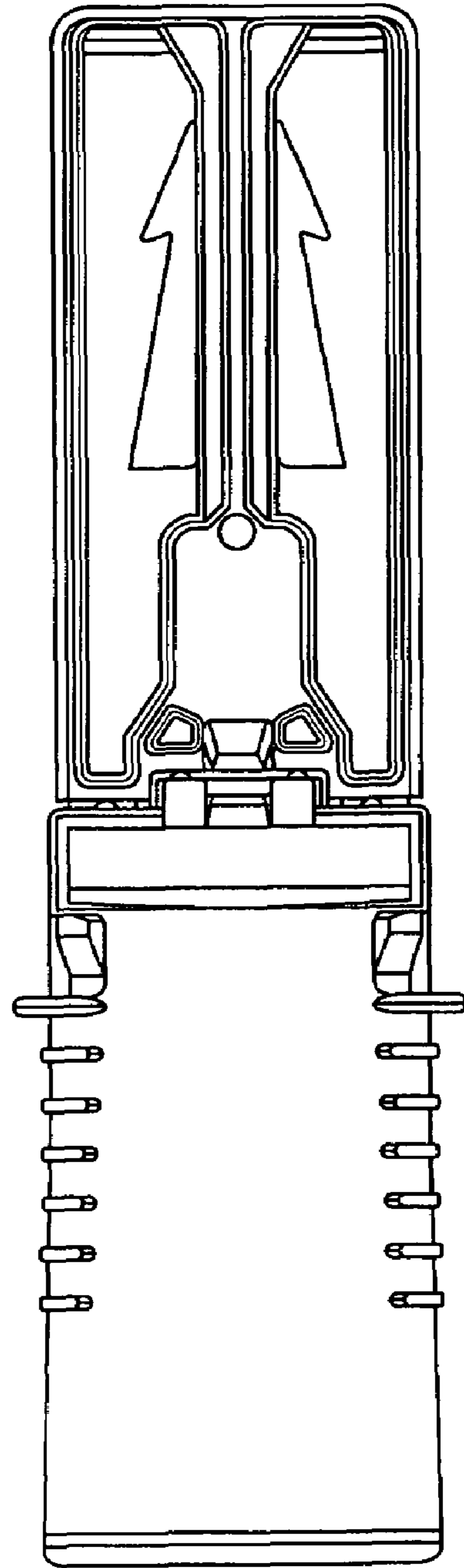


Fig. 3

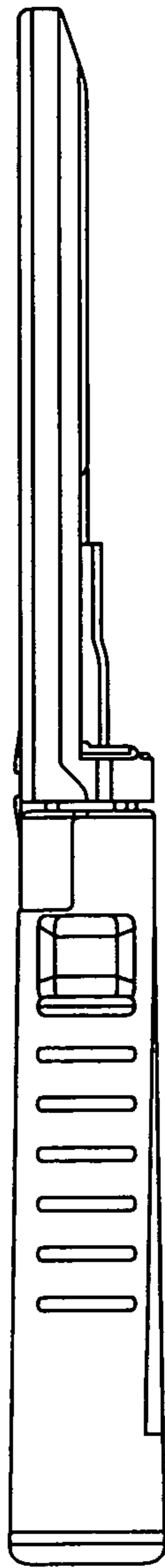


Fig. 4

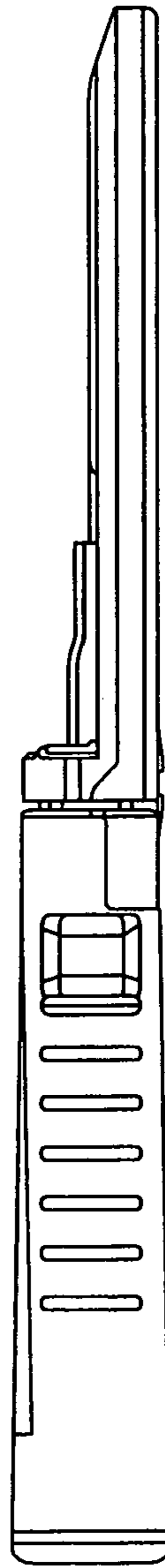


Fig. 5

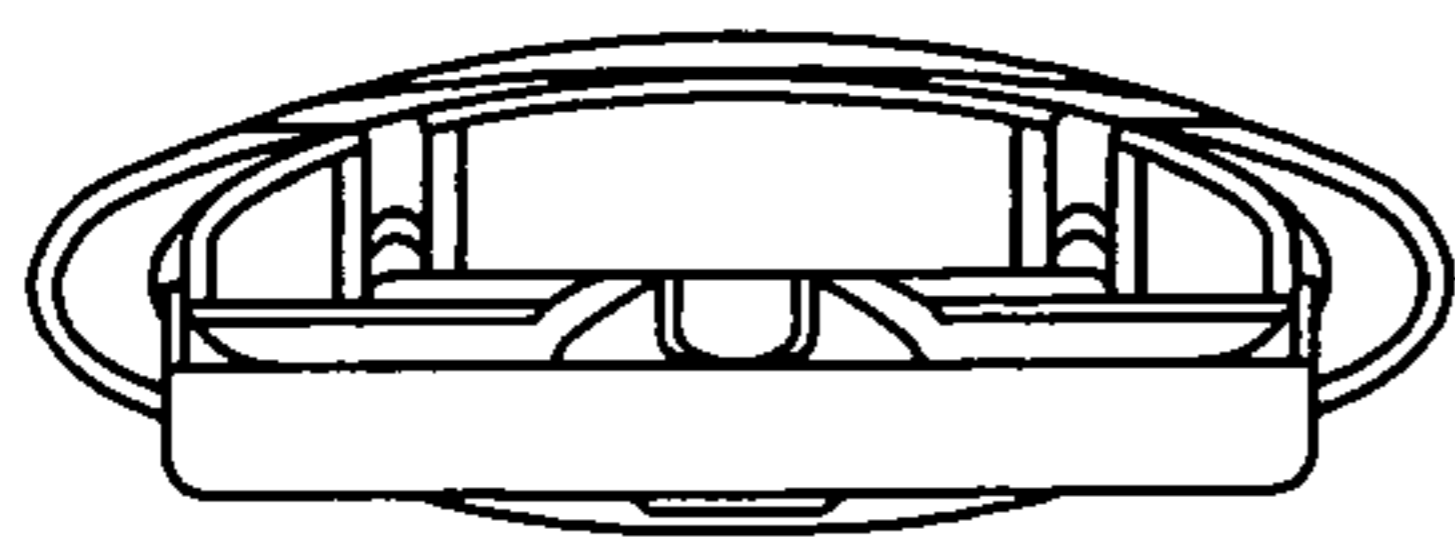


Fig. 6

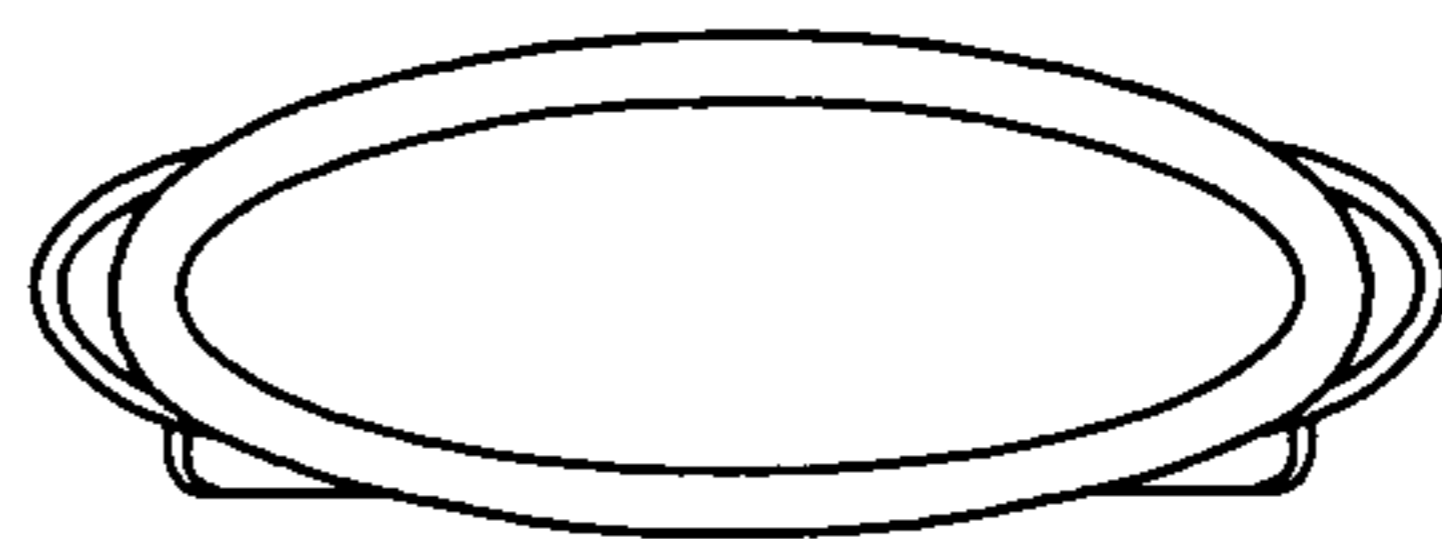


Fig. 7

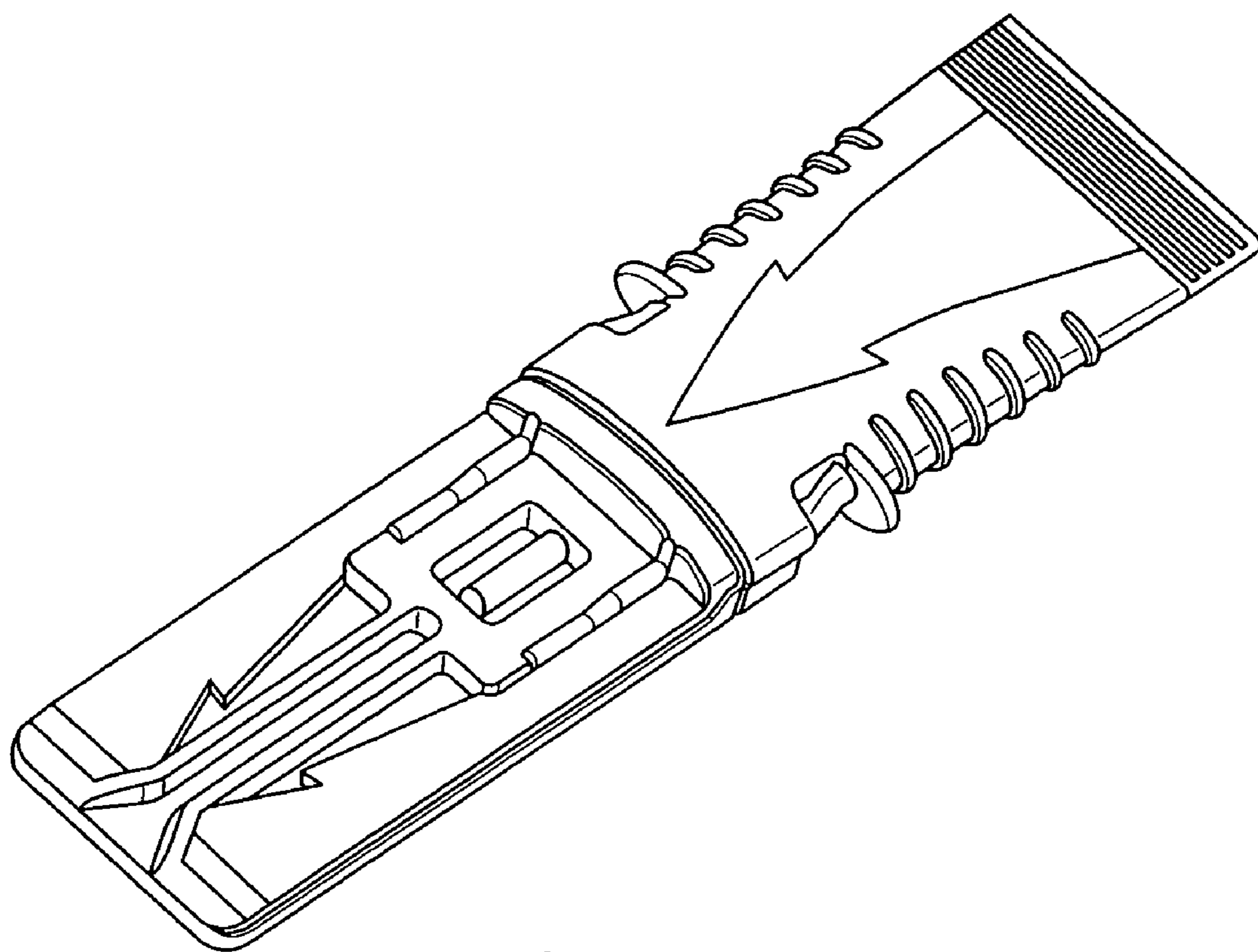


Fig. 8

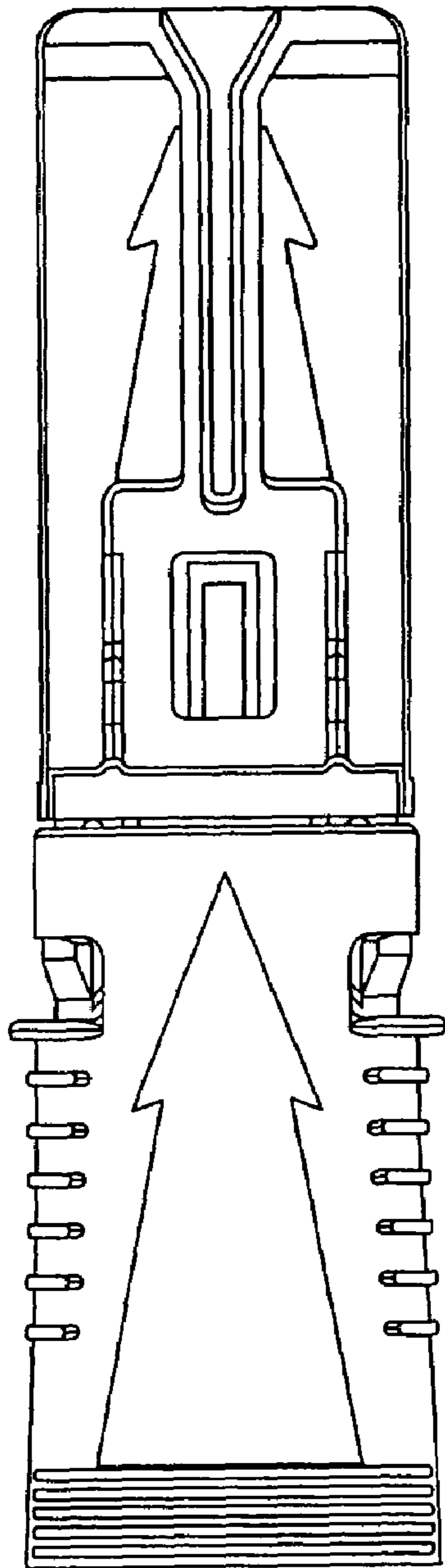


Fig. 9

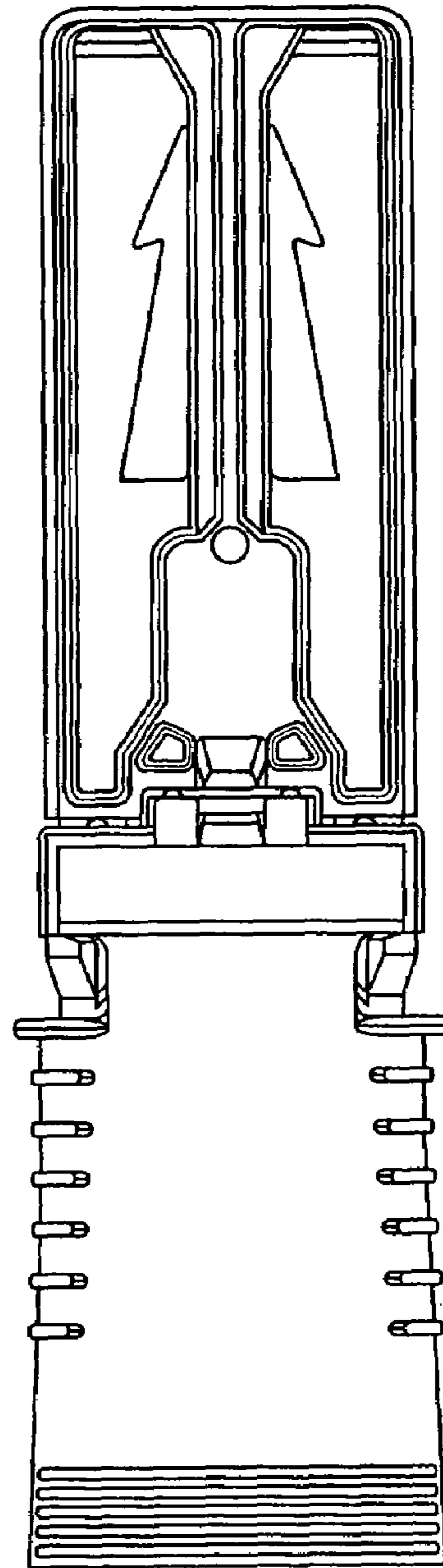


Fig. 10

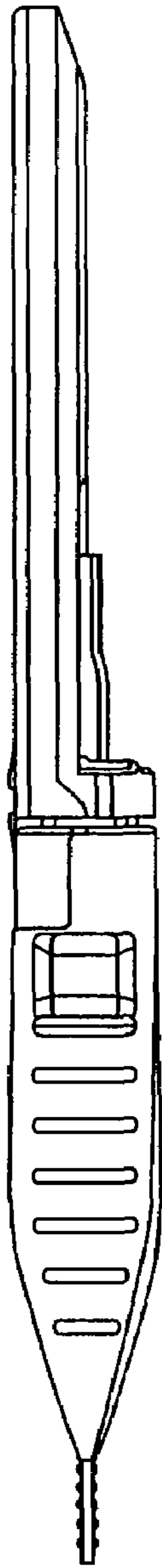


Fig. 11

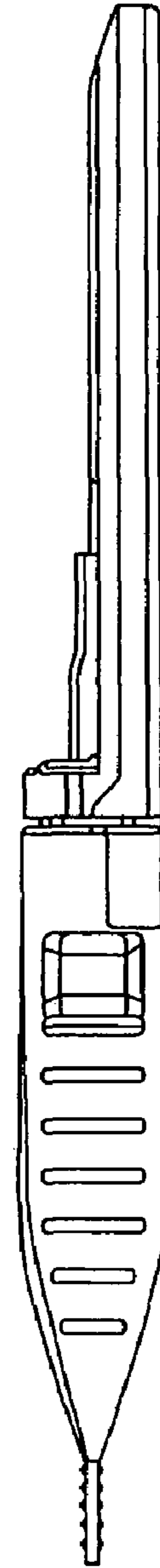


Fig. 12

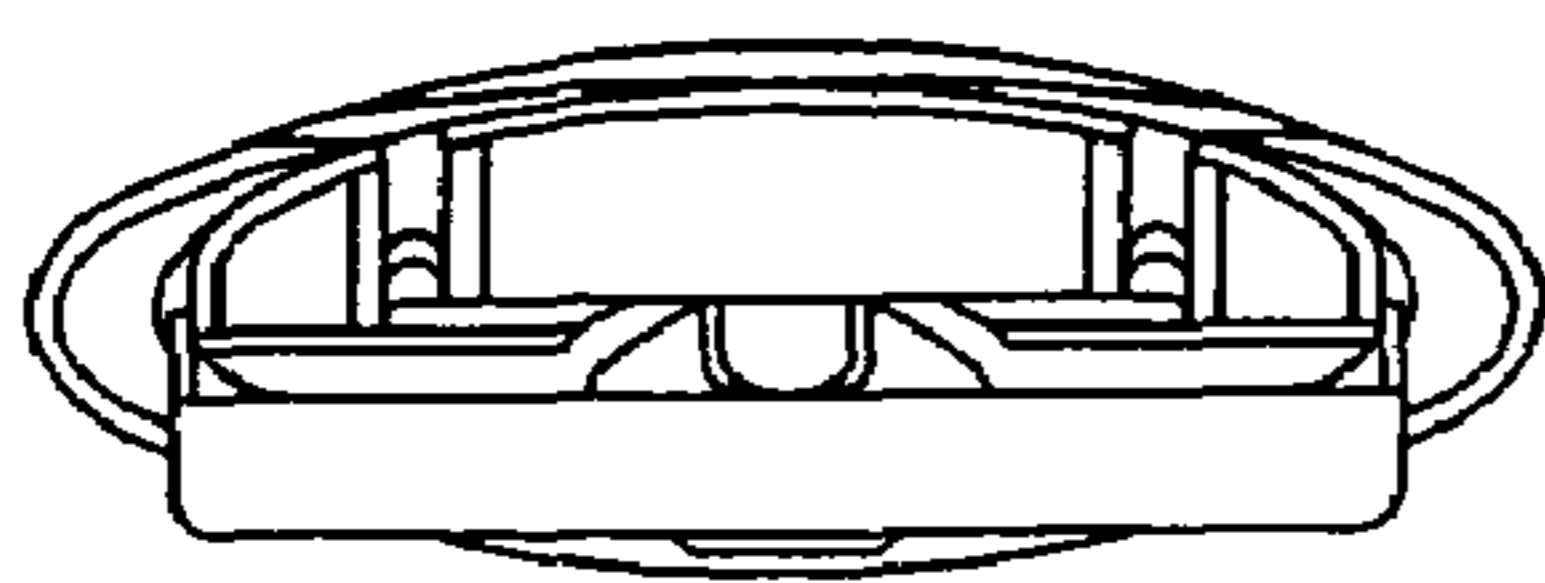


Fig. 13

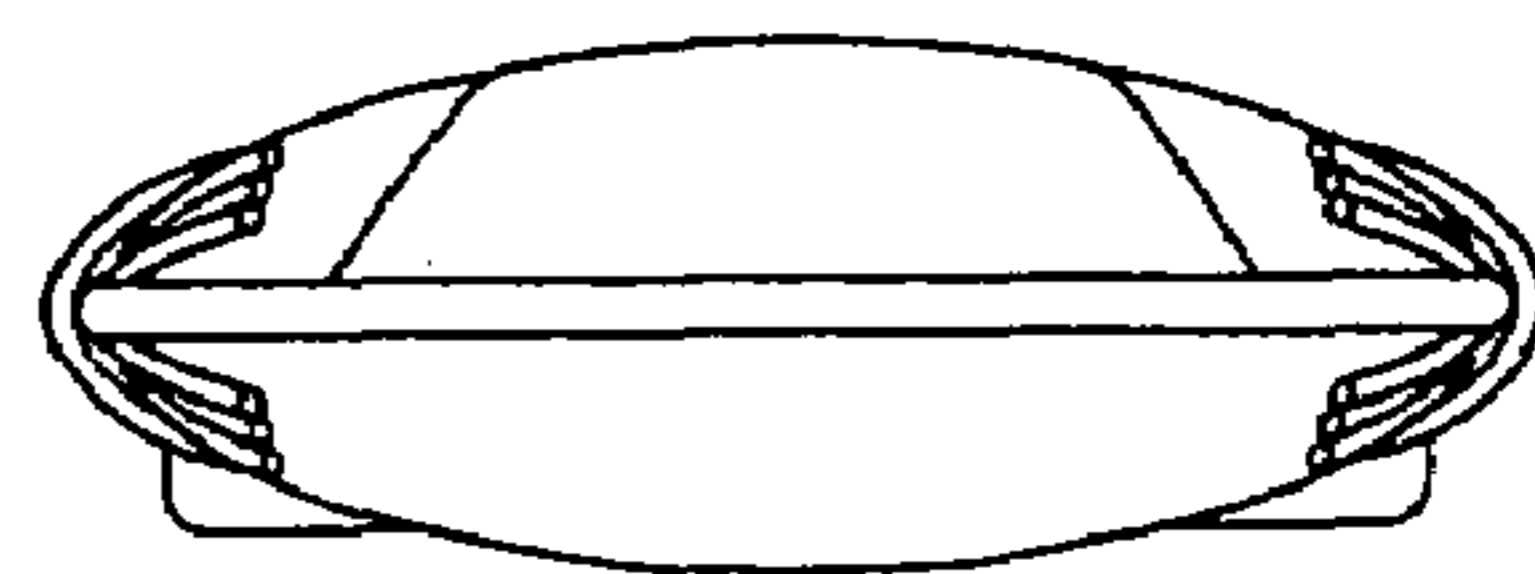


Fig. 14

UNITED STATES PATENT AND TRADEMARK OFFICE
CERTIFICATE OF CORRECTION

PATENT NO. : Des. 574,056 S
APPLICATION NO. : 29/257597
DATED : July 29, 2008
INVENTOR(S) : Mark McNamara et al.

Page 1 of 1

It is certified that error appears in the above-identified patent and that said Letters Patent is hereby corrected as shown below:

Title page item [56]
Under the heading "Foreign Application Priority Data":
Oct. 10, 2005 (JP) 000413927

should read:
Oct. 10, 2005 (EM) 000413927

Signed and Sealed this

Fourth Day of November, 2008



JON W. DUDAS
Director of the United States Patent and Trademark Office