



US00D574055S

(12) **United States Design Patent**
Buck

(10) **Patent No.:** **US D574,055 S**

(45) **Date of Patent:** **** Jul. 29, 2008**

(54) **FIXED BLADE KNIFE**

(75) Inventor: **Josh Buck**, Post Falls, ID (US)

(73) Assignee: **Buck Knives**, Post Falls, ID (US)

(**) Term: **14 Years**

(21) Appl. No.: **29/299,457**

(22) Filed: **Dec. 27, 2007**

(51) **LOC (8) Cl.** **22-02**

(52) **U.S. Cl.** **D22/118**

(58) **Field of Classification Search** D22/118;
D8/95-99; 30/151-158, 160-162, 295, 340,
30/342-345

See application file for complete search history.

(56) **References Cited**

U.S. PATENT DOCUMENTS

- D359,789 S * 6/1995 Seber et al. D22/118
- D386,664 S * 11/1997 Glesser D8/99
- D422,669 S * 4/2000 Elishewitz D22/118
- D533,620 S * 12/2006 Holbl D22/118

D558,294 S * 12/2007 Linn et al. D22/118

* cited by examiner

Primary Examiner—Catherine R Oliver

(74) *Attorney, Agent, or Firm*—Townsend and Townsend and Crew, LLP

(57) **CLAIM**

The ornamental design for a fixed blade knife, as shown and described.

DESCRIPTION

FIG. 1 is a perspective view of a fixed blade knife showing my new design;

FIG. 2 is a left side elevational view thereof;

FIG. 3 is a right side elevational view thereof;

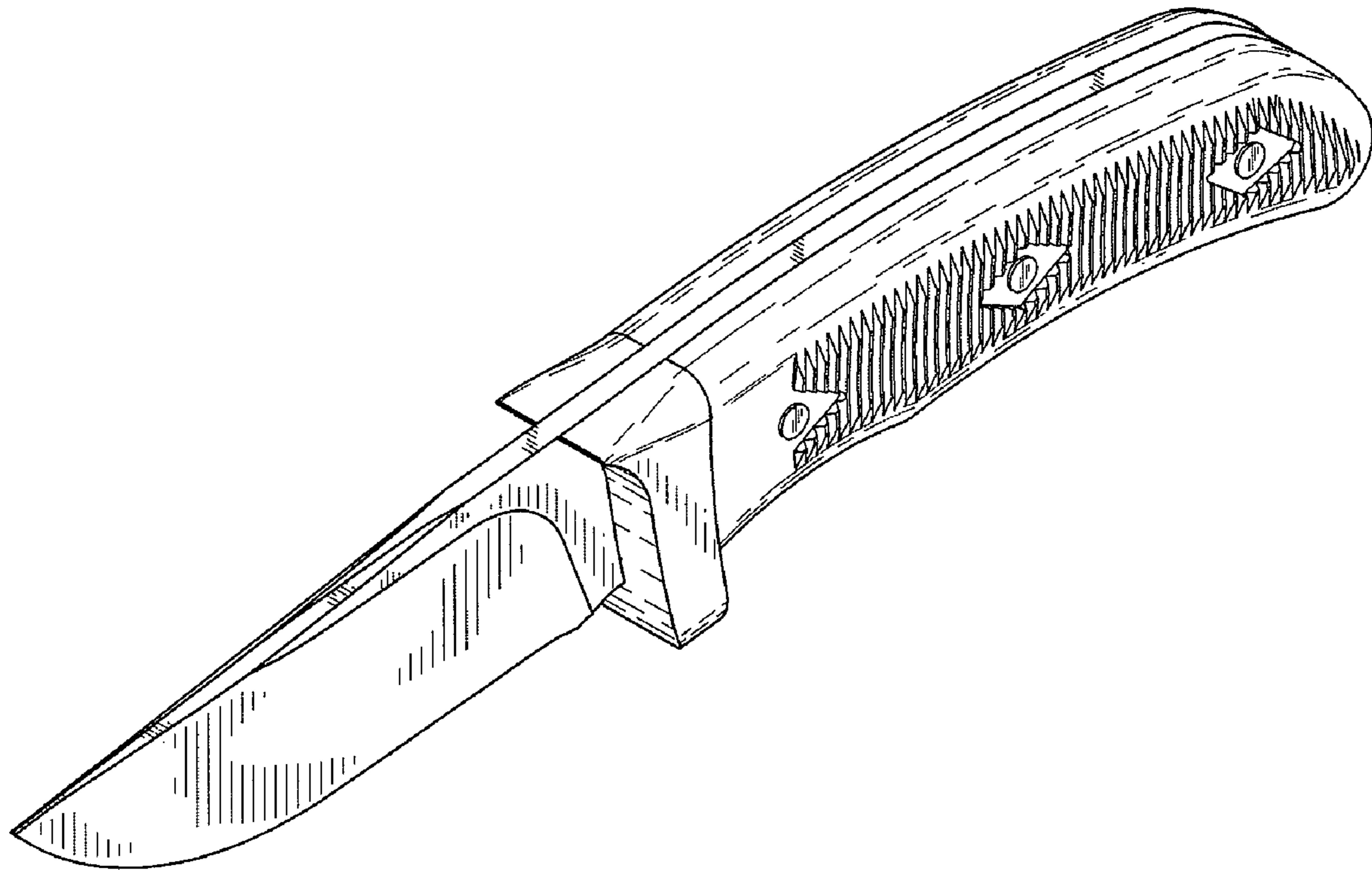
FIG. 4 is a top plan view thereof;

FIG. 5 is a bottom plan view thereof;

FIG. 6 is a front elevational view thereof; and,

FIG. 7 is a rear elevational view thereof.

1 Claim, 3 Drawing Sheets



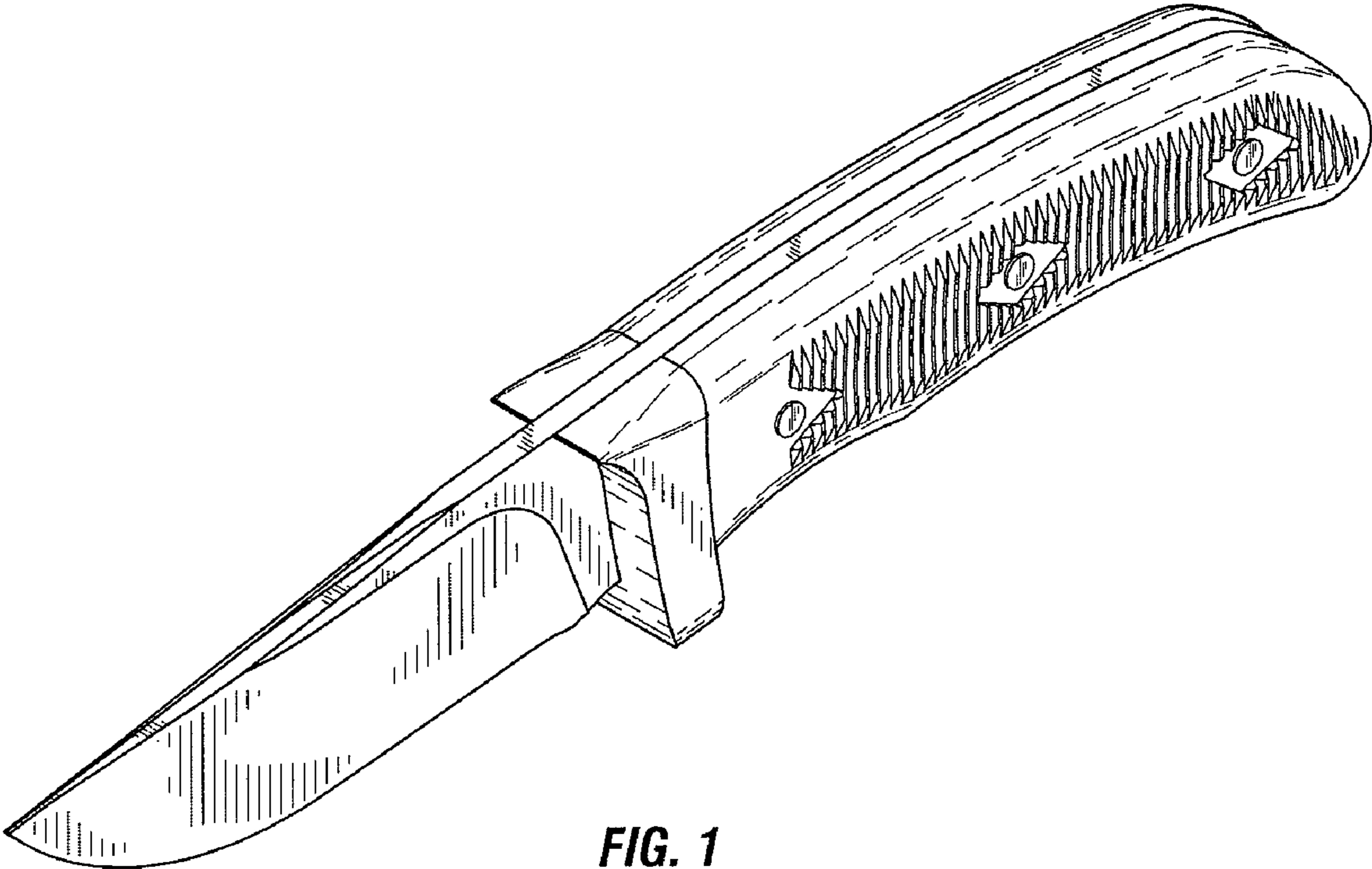


FIG. 1

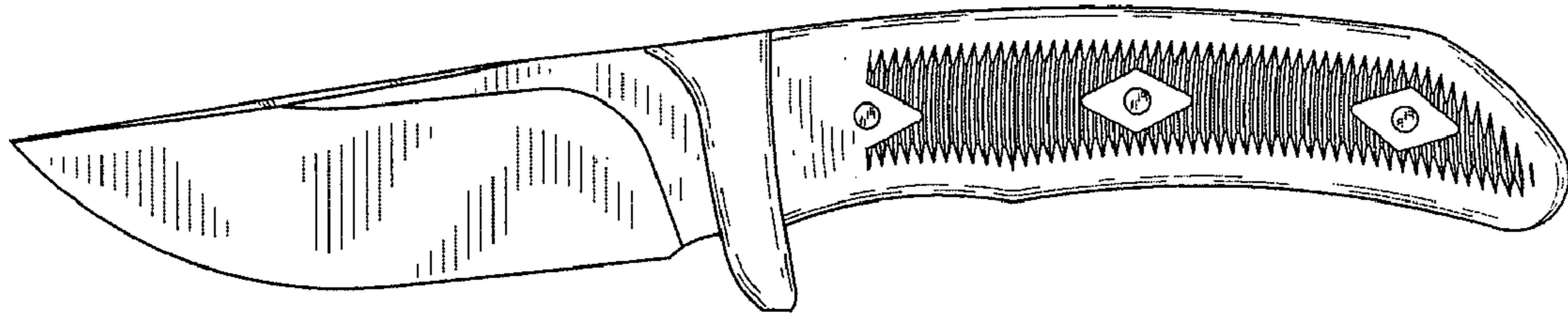


FIG. 2

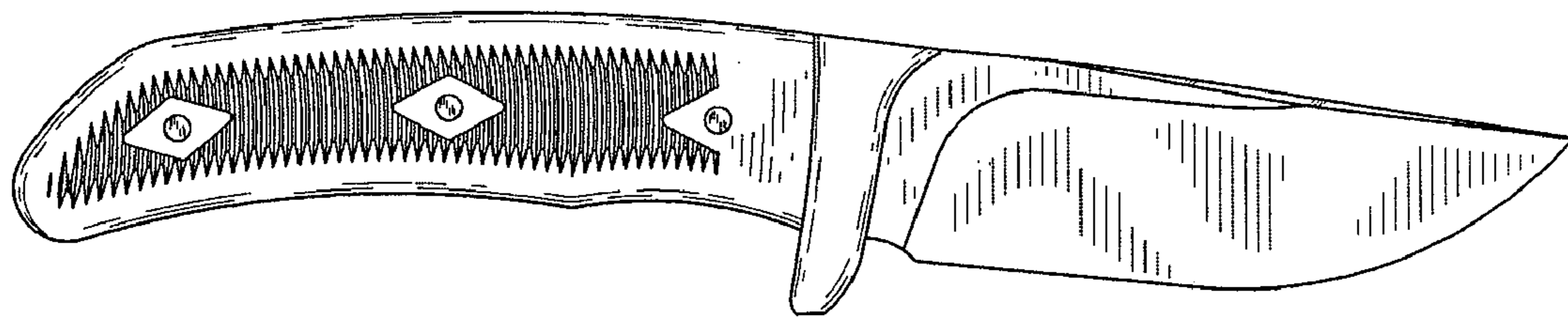


FIG. 3

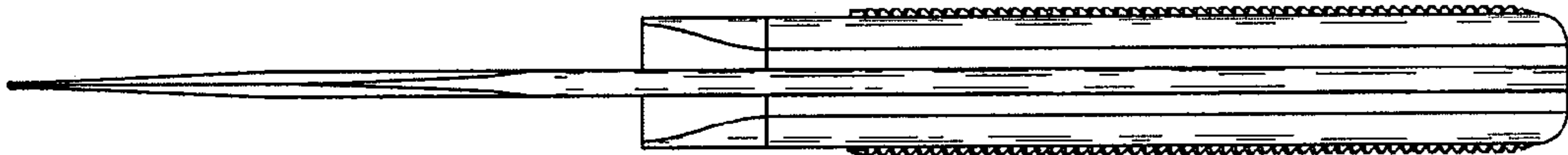


FIG. 4

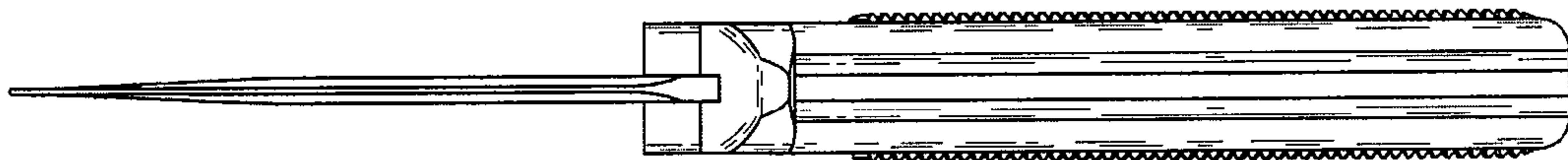


FIG. 5

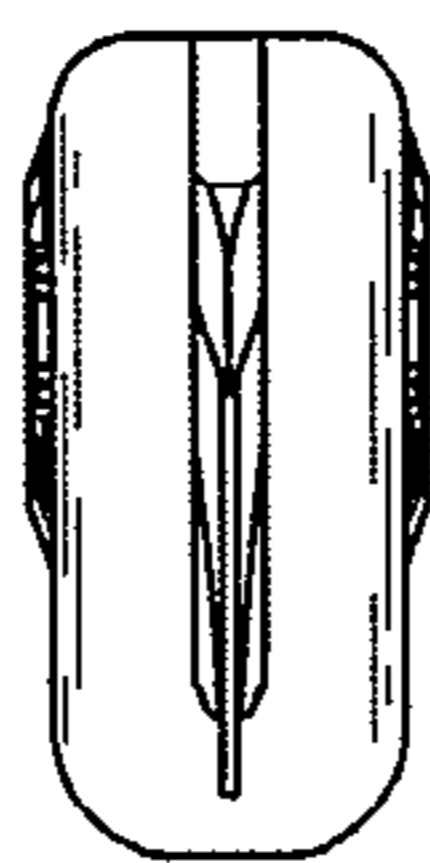


FIG. 6

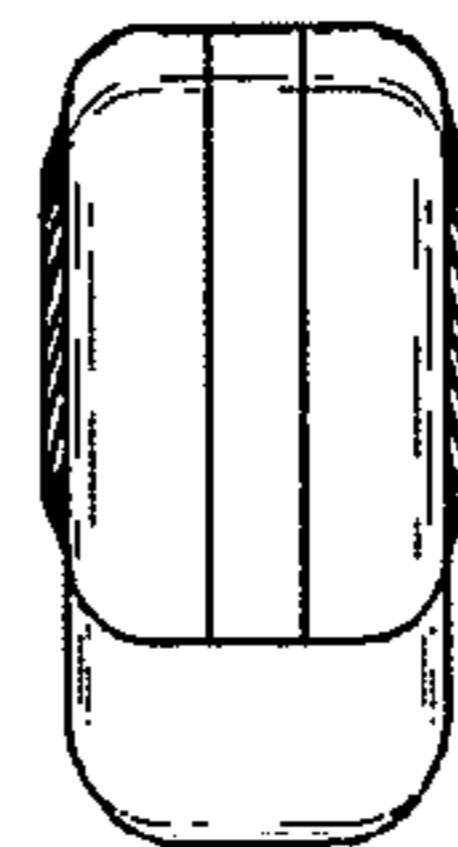


FIG. 7