



US00D574052S

(12) **United States Design Patent**  
**Peterson**

(10) **Patent No.:** **US D574,052 S**

(45) **Date of Patent:** **\*\* Jul. 29, 2008**

(54) **INFLATABLE TOWABLE VEHICLE**

D465,761 S \* 11/2002 Peterson ..... D12/316  
D467,216 S \* 12/2002 Peterson ..... D12/316  
D480,123 S \* 9/2003 Peterson ..... D21/803

(76) **Inventor:** **Leroy L. Peterson**, 11213 E. Cir., (A),  
Omaha, NE (US) 68137

\* cited by examiner

(\*\*) **Term:** **14 Years**

*Primary Examiner*—Janice E. Seeger

*Assistant Examiner*—Zenia I Bennett

(21) **Appl. No.:** **29/283,999**

(74) *Attorney, Agent, or Firm*—Sturm & Fix LLP

(22) **Filed:** **Aug. 29, 2007**

(57) **CLAIM**

(51) **LOC (8) Cl.** ..... **21-02**

The ornamental design for an inflatable towable vehicle, as shown and described.

(52) **U.S. Cl.** ..... **D21/801; D21/803**

(58) **Field of Classification Search** ..... D21/769–770,  
D21/801, 803, 809; D6/392, 596, 601, 604;  
D12/5, 6, 316; 472/128–129; 441/35, 40–42,  
441/129–132

See application file for complete search history.

**DESCRIPTION**

FIG. 1 is a perspective view of the inflatable towable vehicle showing my new design;

FIG. 2 is a right side elevational view thereof;

FIG. 3 is a left side elevational view thereof;

FIG. 4 is a top plan view thereof;

FIG. 5 is a front elevational view thereof;

FIG. 6 is a bottom plan view thereof; and,

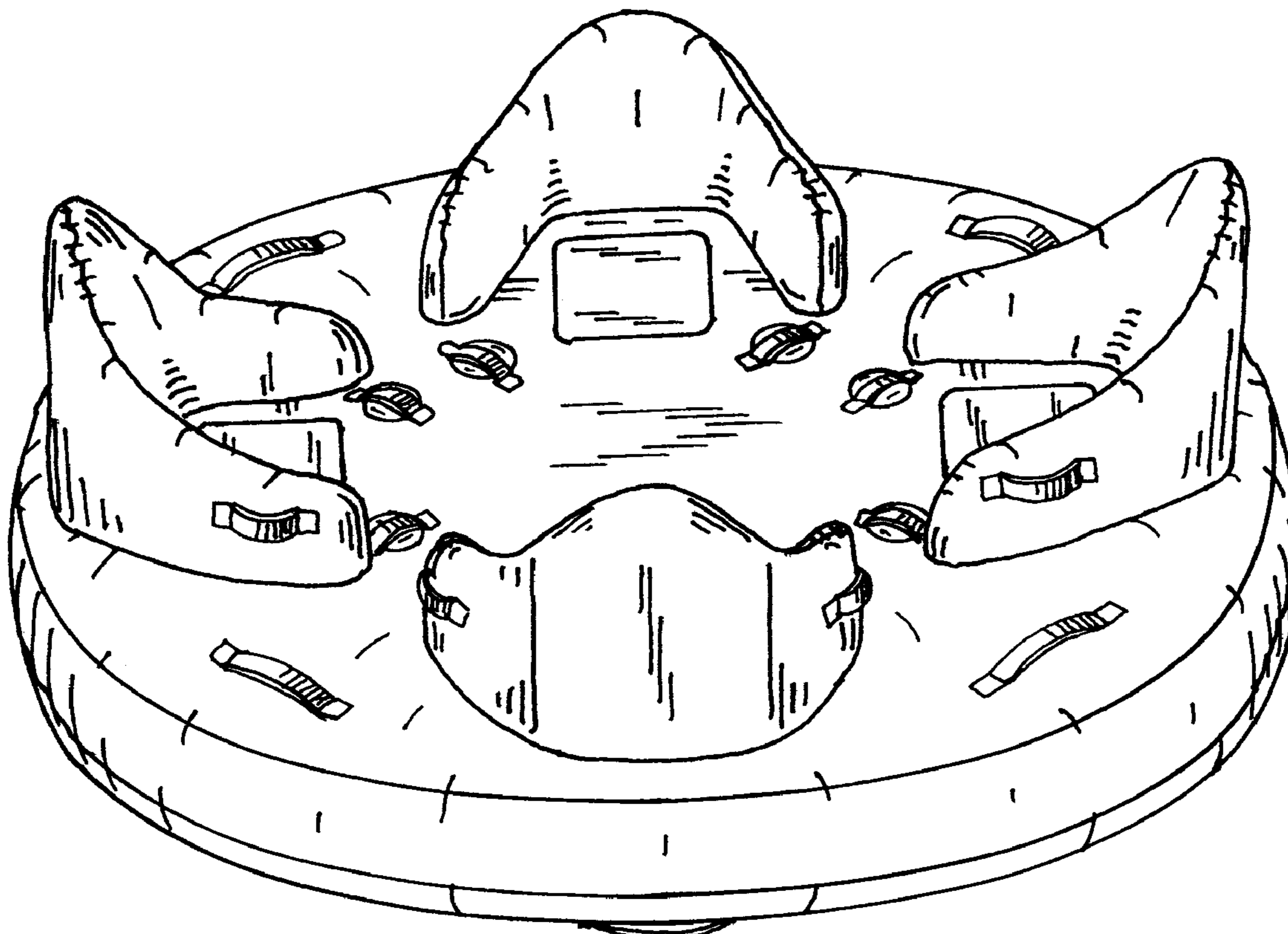
FIG. 7 is a rear elevational view thereof.

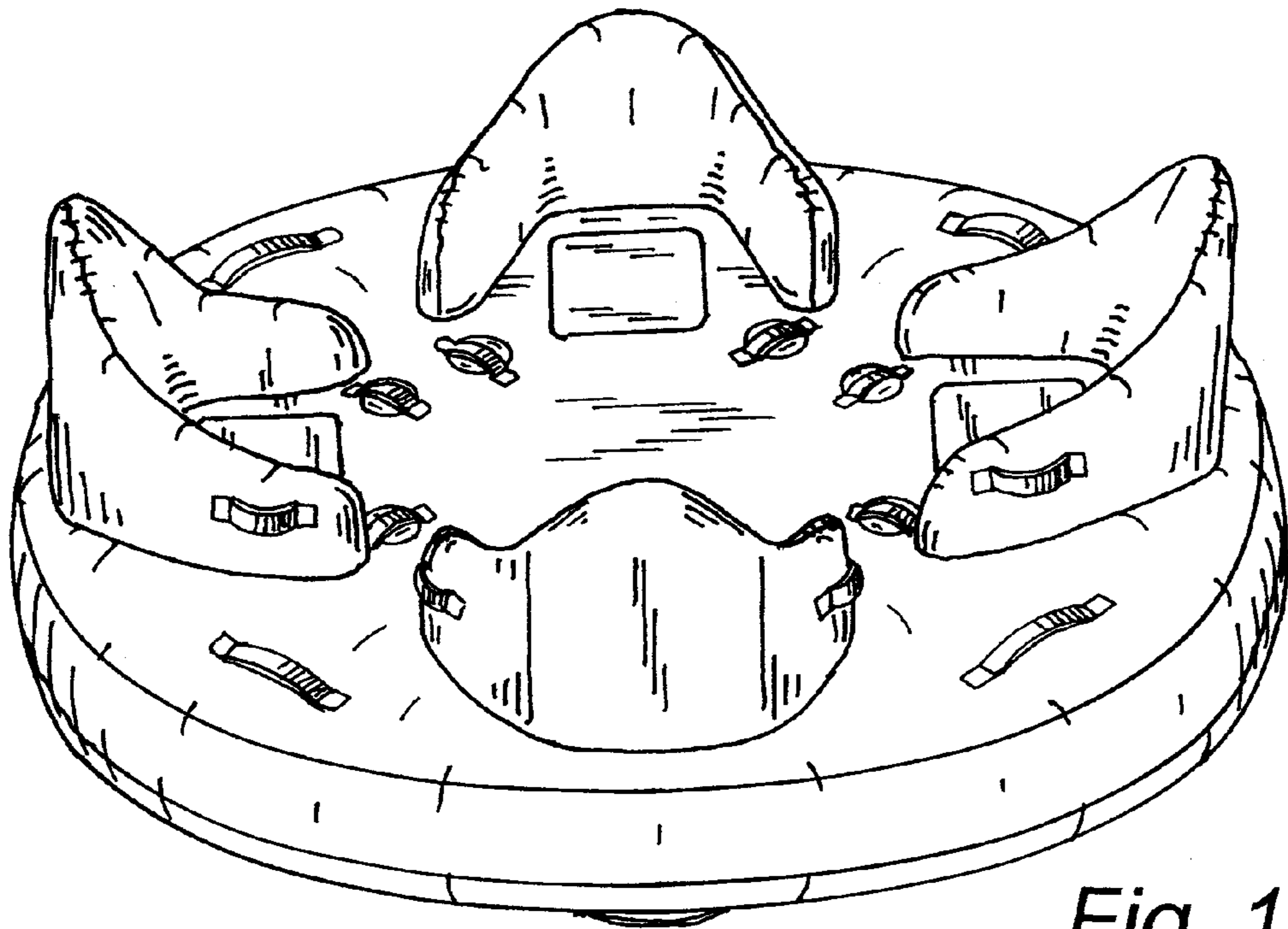
(56) **References Cited**

**U.S. PATENT DOCUMENTS**

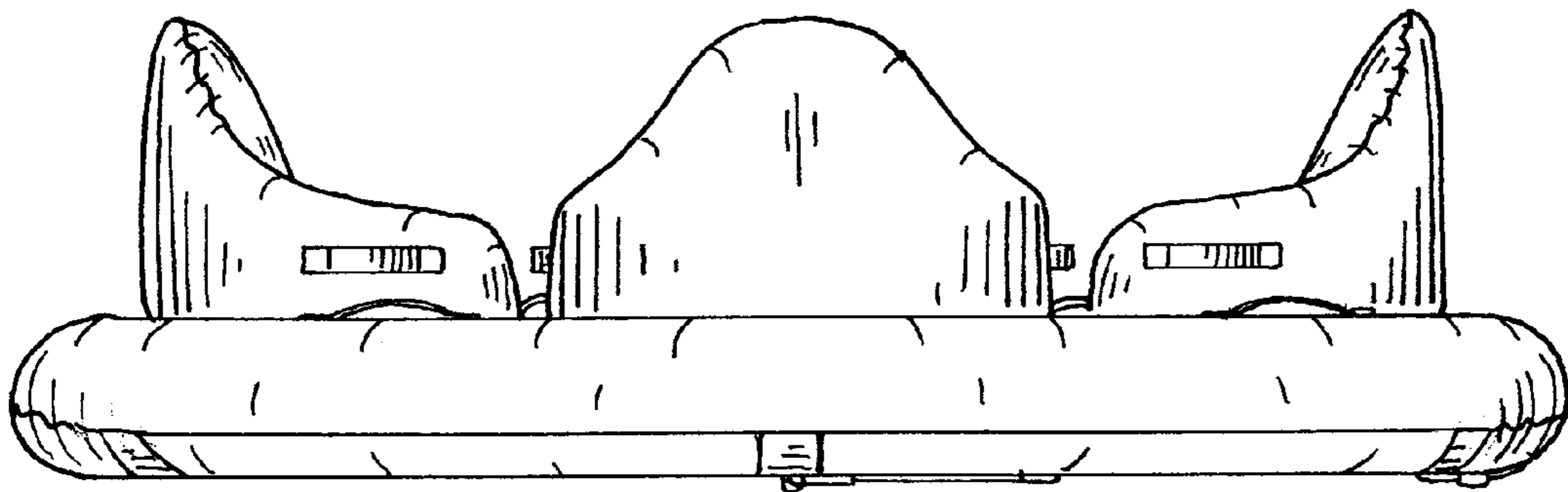
D375,991 S \* 11/1996 Peterson ..... D21/803  
D386,142 S \* 11/1997 Peterson ..... D12/306  
D393,683 S \* 4/1998 Song et al. .... D21/803  
D407,780 S \* 4/1999 Peterson ..... D21/803  
D436,072 S \* 1/2001 Peterson ..... D12/316  
D465,540 S \* 11/2002 Peterson ..... D21/803

**1 Claim, 3 Drawing Sheets**

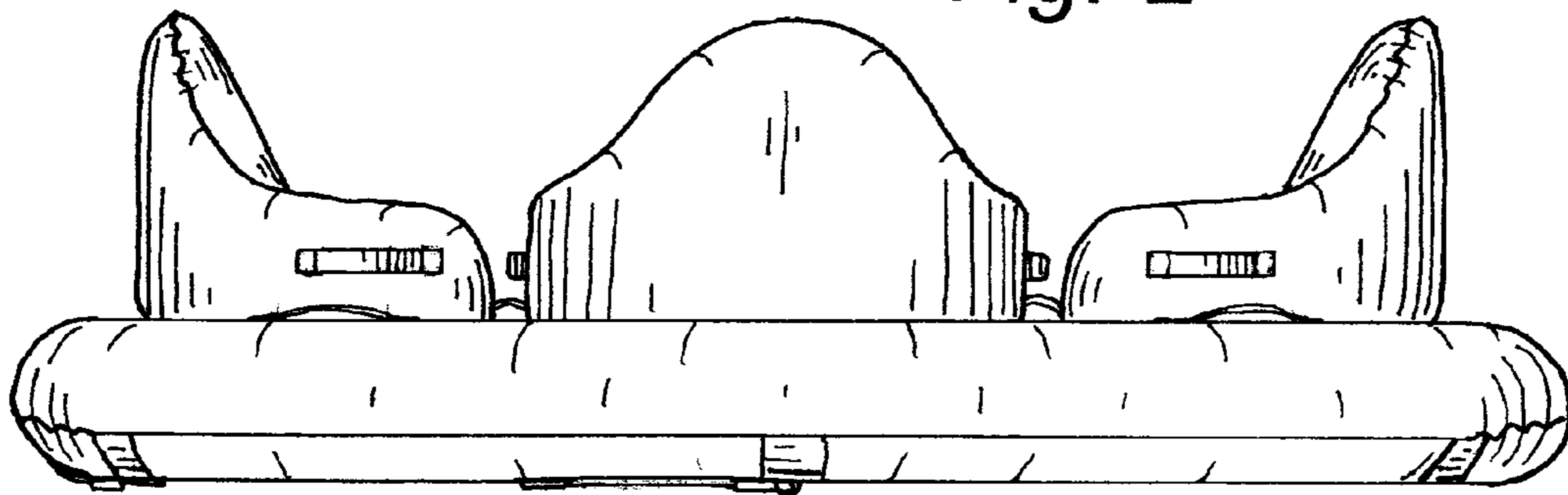




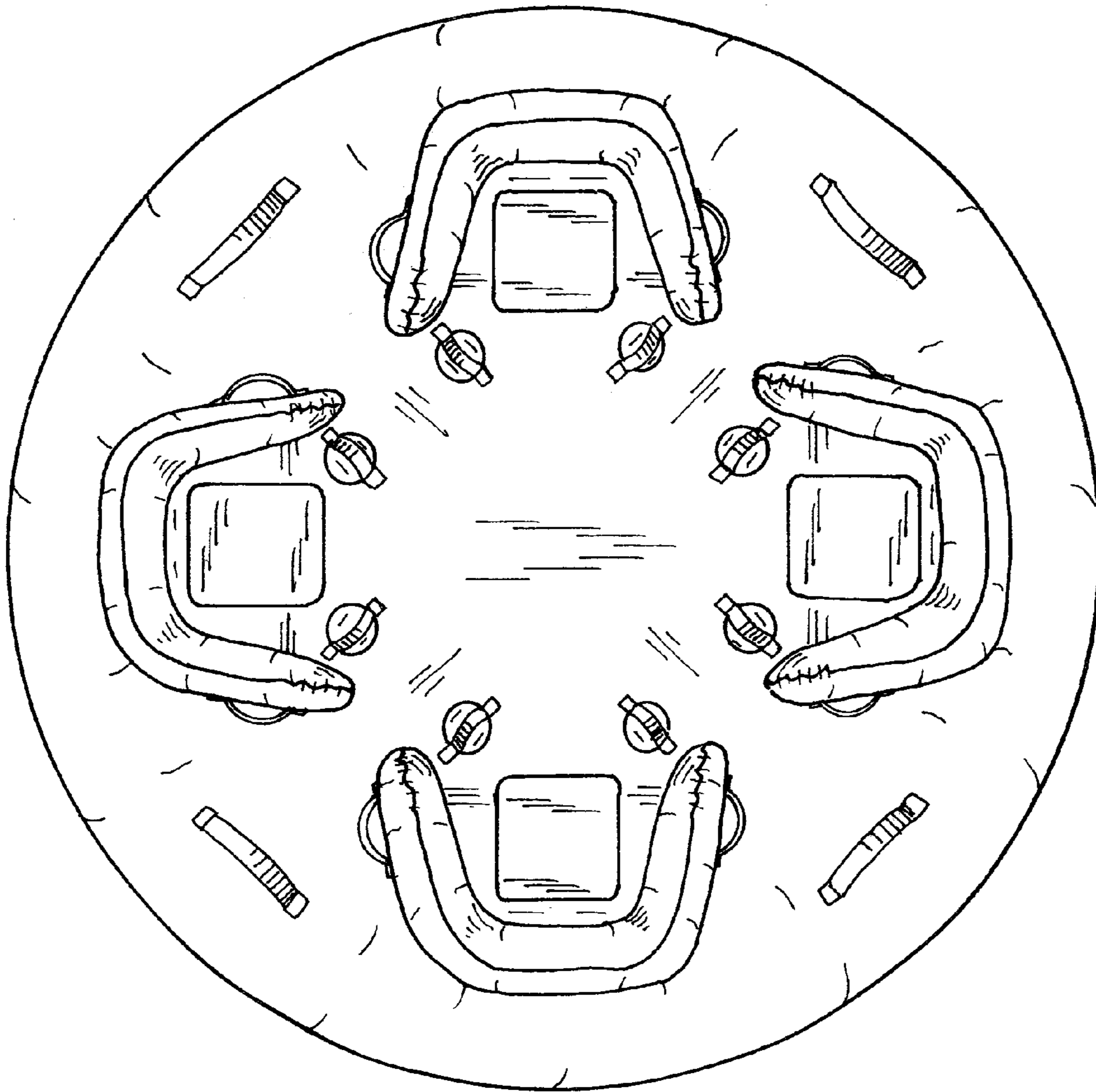
*Fig. 1*



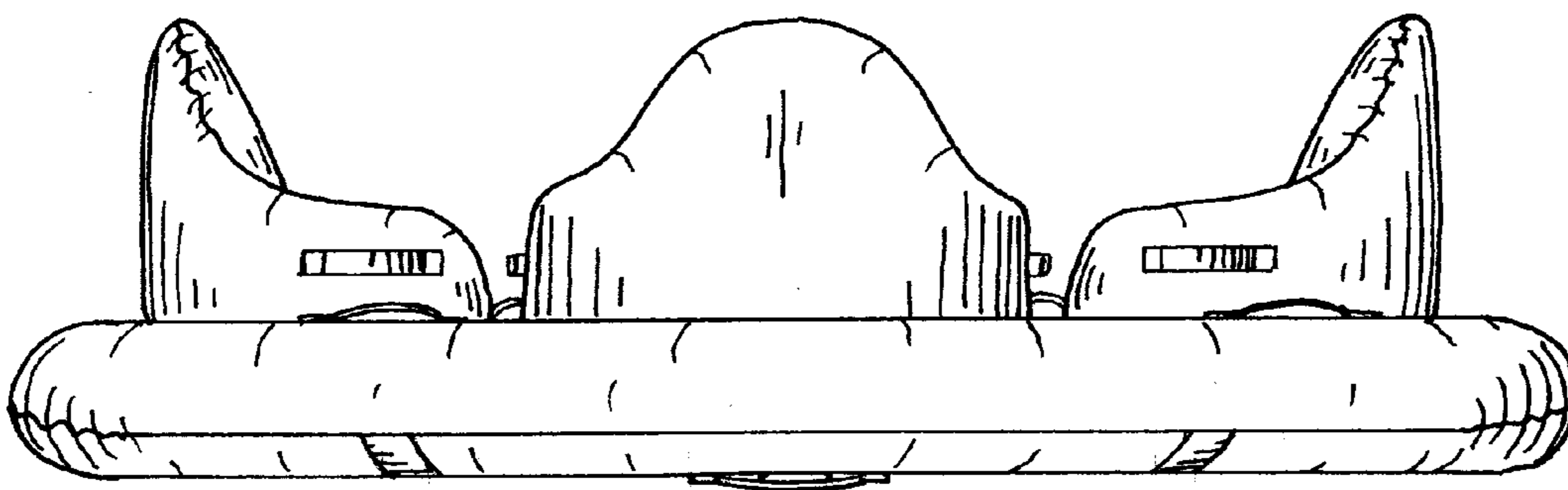
*Fig. 2*



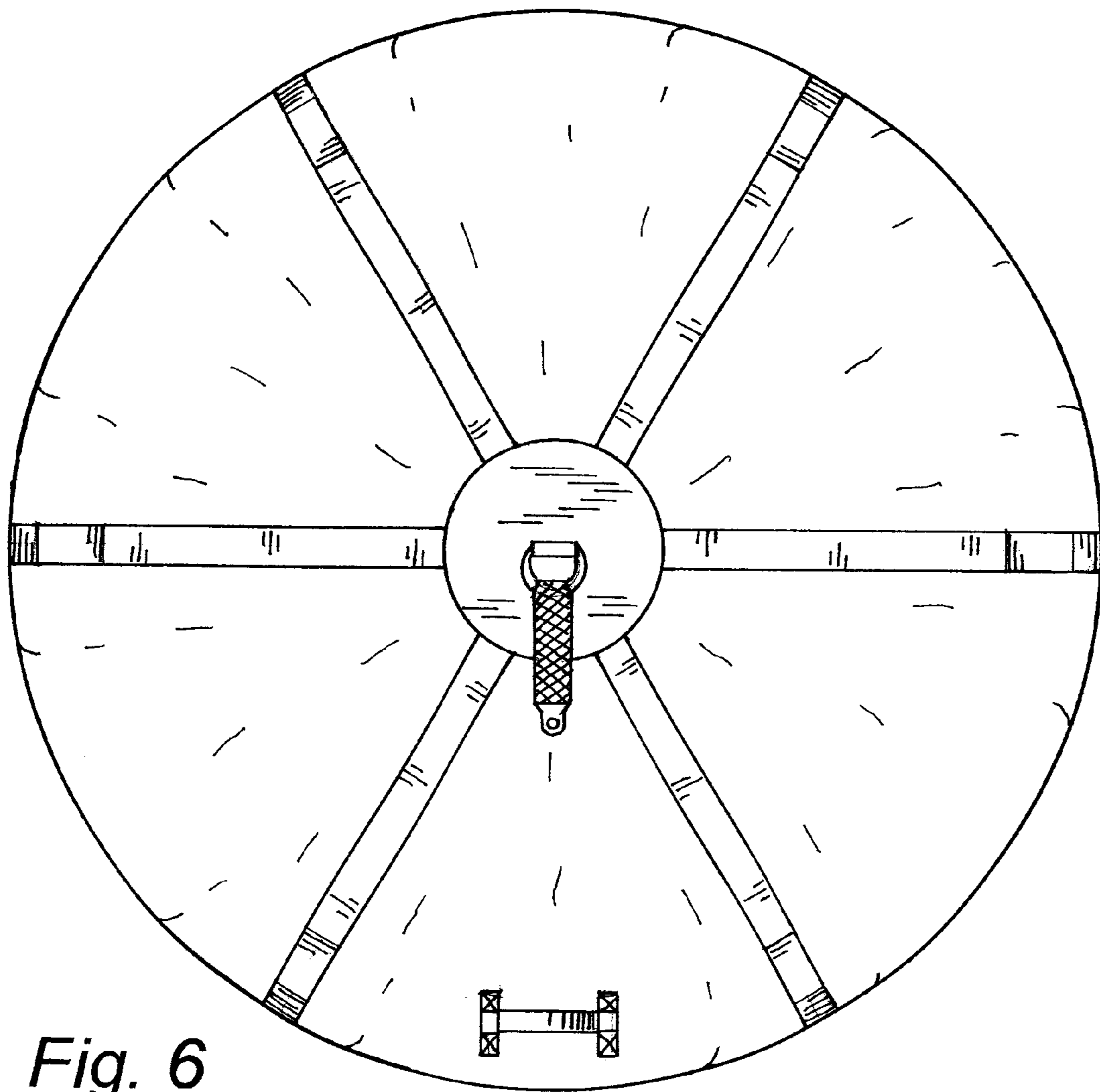
*Fig. 3*



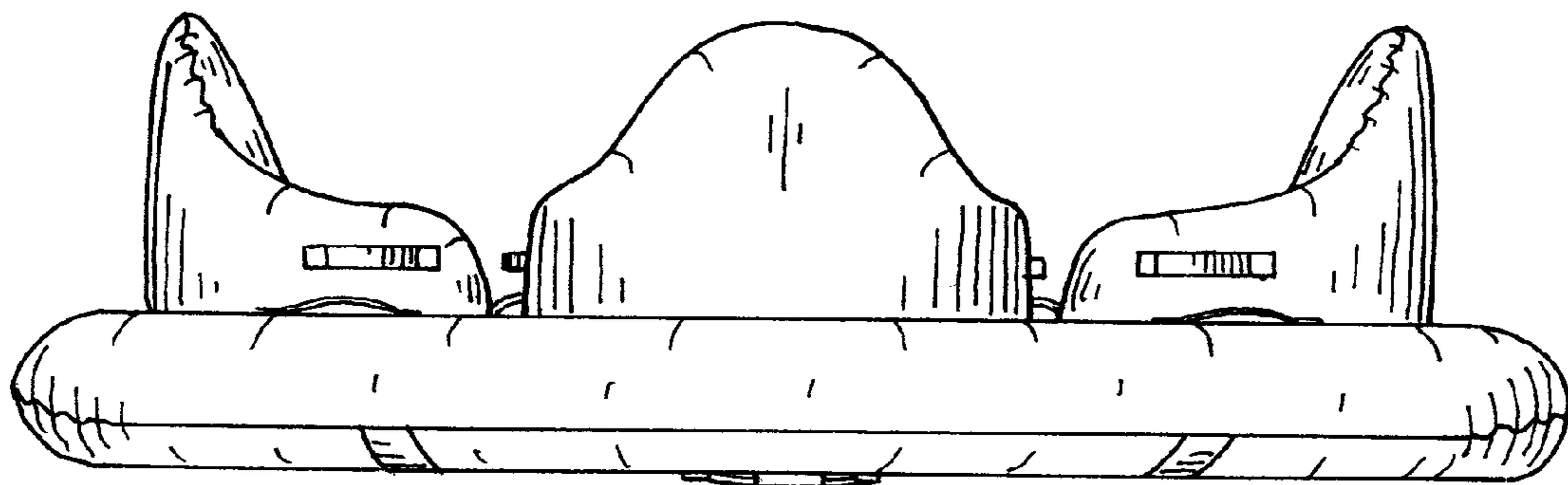
*Fig. 4*



*Fig. 5*



*Fig. 6*



*Fig. 7*