



US00D574051S

(12) **United States Design Patent**
Taggart et al.

(10) **Patent No.:** **US D574,051 S**
(45) **Date of Patent:** **** Jul. 29, 2008**

(54) **RACK**

(75) Inventors: **Terry Taggart**, Parker, CO (US);
Charlie Dittrick, Parker, CO (US);
Angel Preciado, Parker, CO (US); **Doug Wathen**, Parker, CO (US); **Carlos Babb**, Parker, CO (US); **Eric Sanchez**, Parker, CO (US)

(73) Assignee: **Taggart Enterprises Inc.**, Parker, CO (US)

(**) Term: **14 Years**

(21) Appl. No.: **29/297,616**

(22) Filed: **Nov. 14, 2007**

(51) **LOC (8) Cl.** **21-01**

(52) **U.S. Cl.** **D21/782**

(58) **Field of Classification Search** D21/782-784,
D21/385; 473/40, 41
See application file for complete search history.

(56) **References Cited**

U.S. PATENT DOCUMENTS

1,052,461	A *	2/1913	Chase	473/40
1,167,137	A *	1/1916	Treiber	473/40
1,299,471	A *	4/1919	Hornbostel	473/40
2,273,239	A *	2/1942	Weicker	473/40

2,324,945	A *	7/1943	Mistacu	235/91 B
D159,558	S *	8/1950	Sundell	D21/782
3,680,859	A *	8/1972	English	473/40
3,794,319	A *	2/1974	Miller	473/41
D367,306	S *	2/1996	Fiscella	D21/782
5,556,341	A *	9/1996	Bonn, Jr.	473/40
D454,380	S *	3/2002	Porper	D21/782
D529,116	S *	9/2006	Hathcock	D21/782

* cited by examiner

Primary Examiner—Prabhakar Deshmukh

(74) *Attorney, Agent, or Firm*—Fennemore Craig, P.C.

(57) **CLAIM**

The ornamental design for a rack, as shown and described.

DESCRIPTION

FIG. 1 is a perspective view of a rack showing our new design;

FIG. 2 is another perspective view thereof;

FIG. 3 is a rear elevational view thereof;

FIG. 4 is a front elevational view thereof;

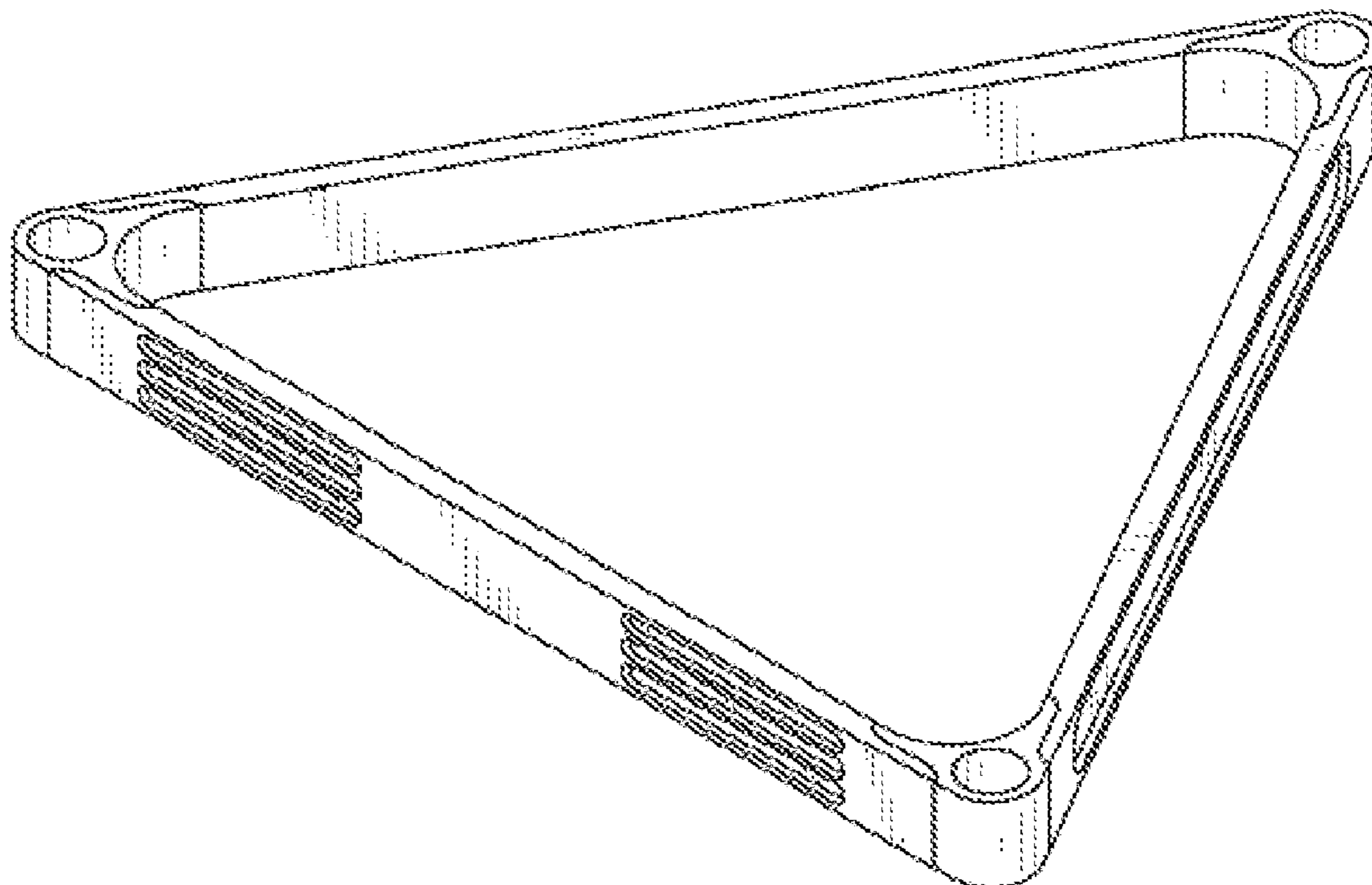
FIG. 5 is a side elevational view thereof;

FIG. 6 is another side elevational view thereof;

FIG. 7 is top plan view thereof; and,

FIG. 8 is a bottom plan view thereof.

1 Claim, 6 Drawing Sheets



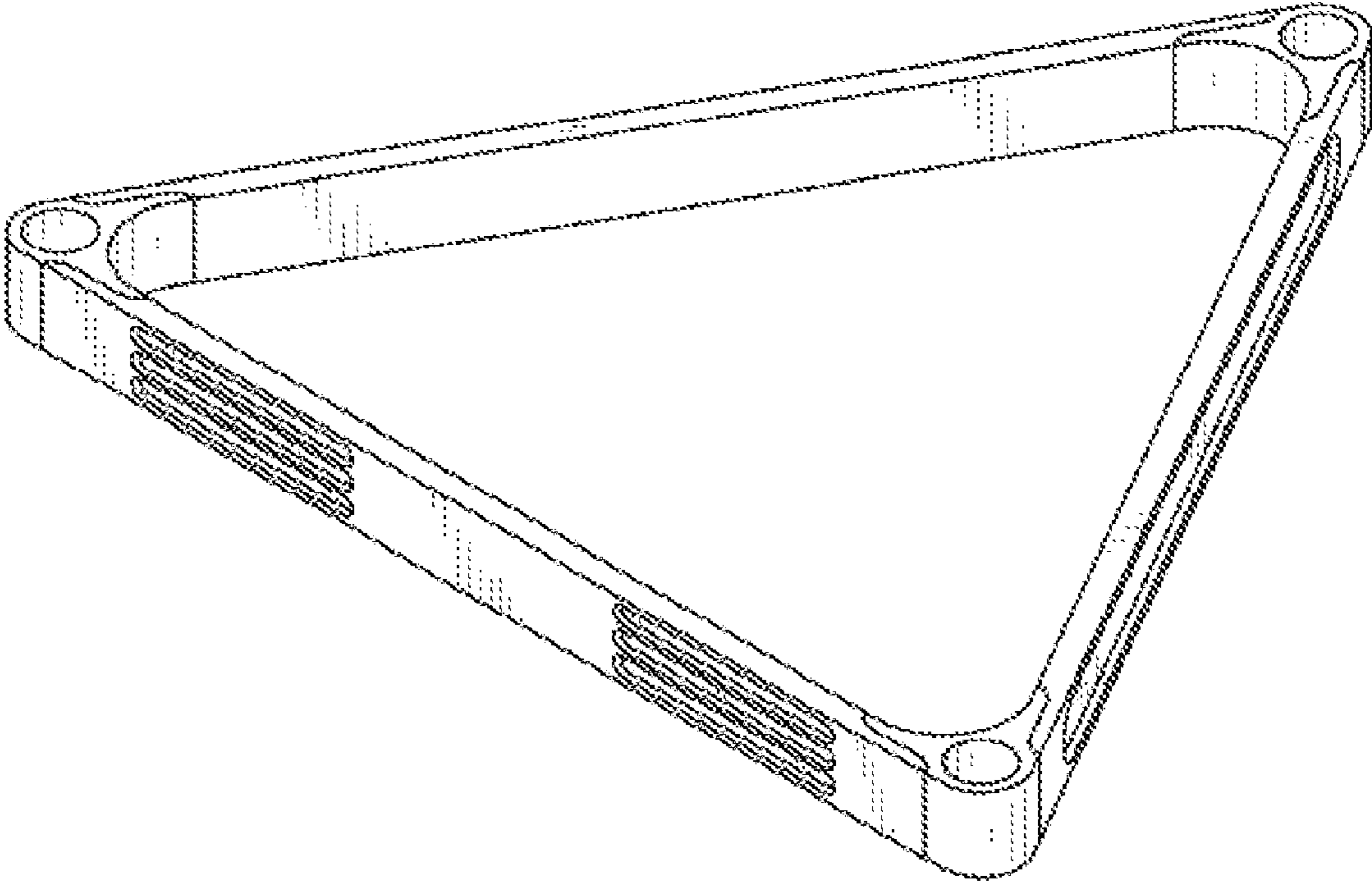


FIG. 1

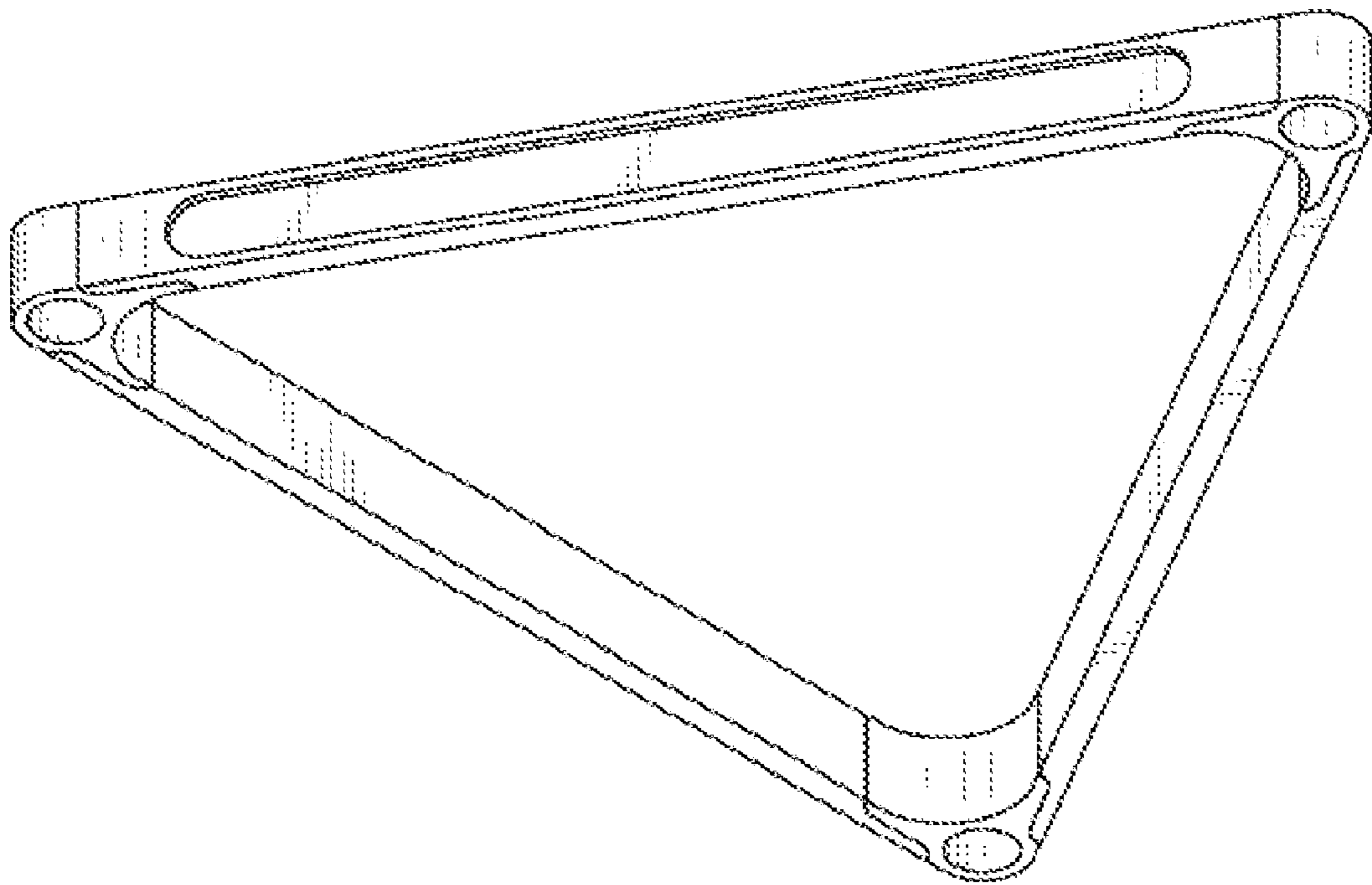


FIG. 2



FIG. 3



FIG. 4



FIG. 5

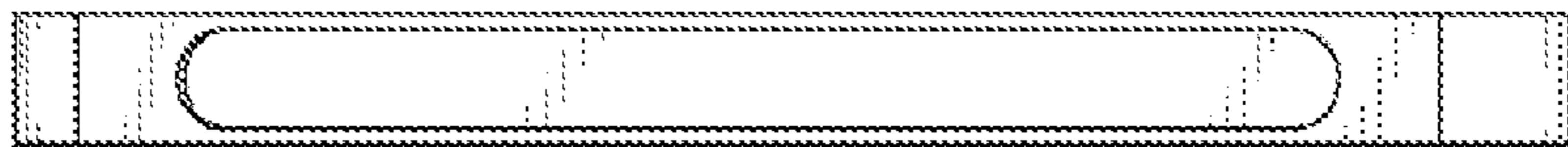


FIG. 6

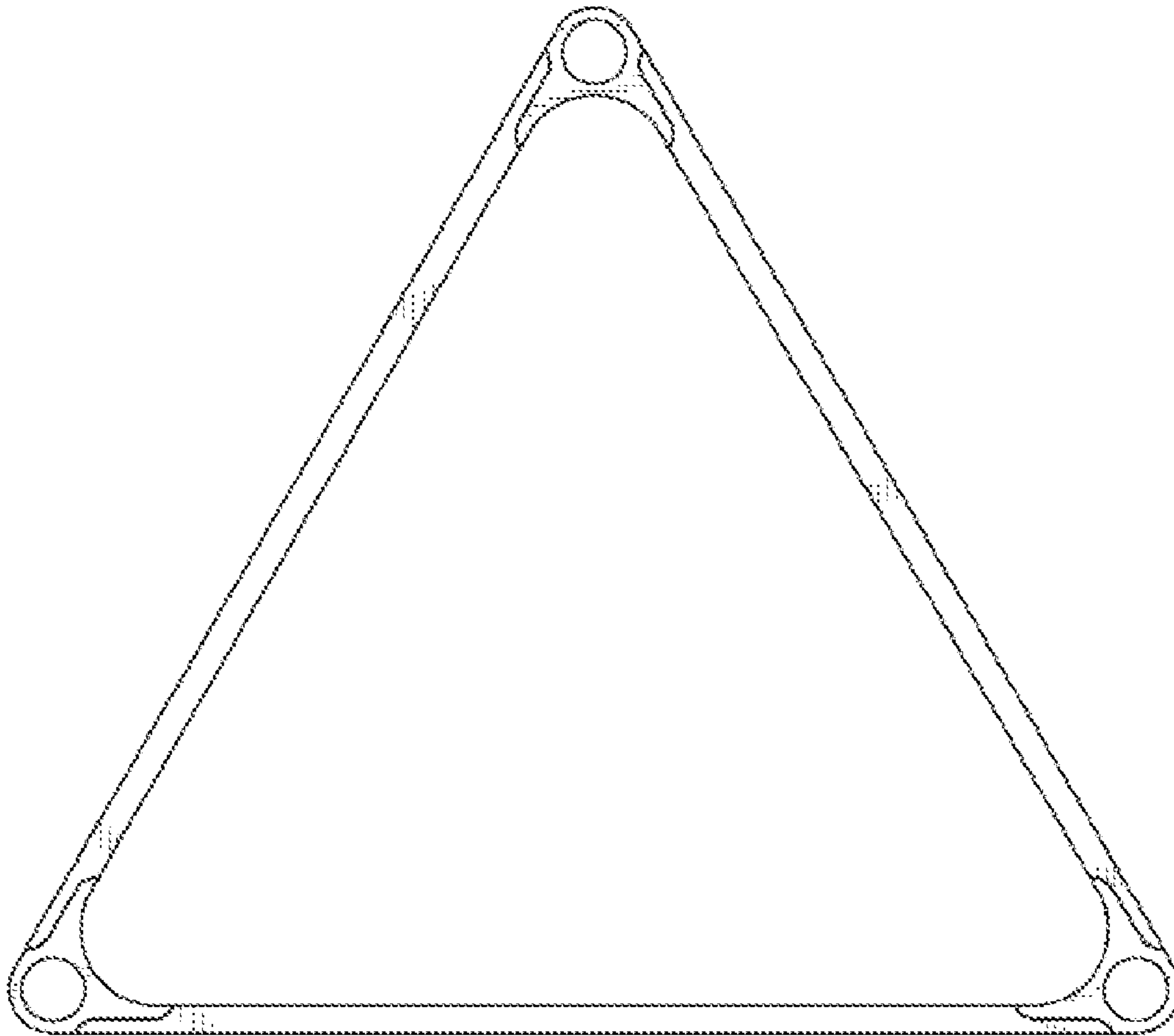


FIG. 7

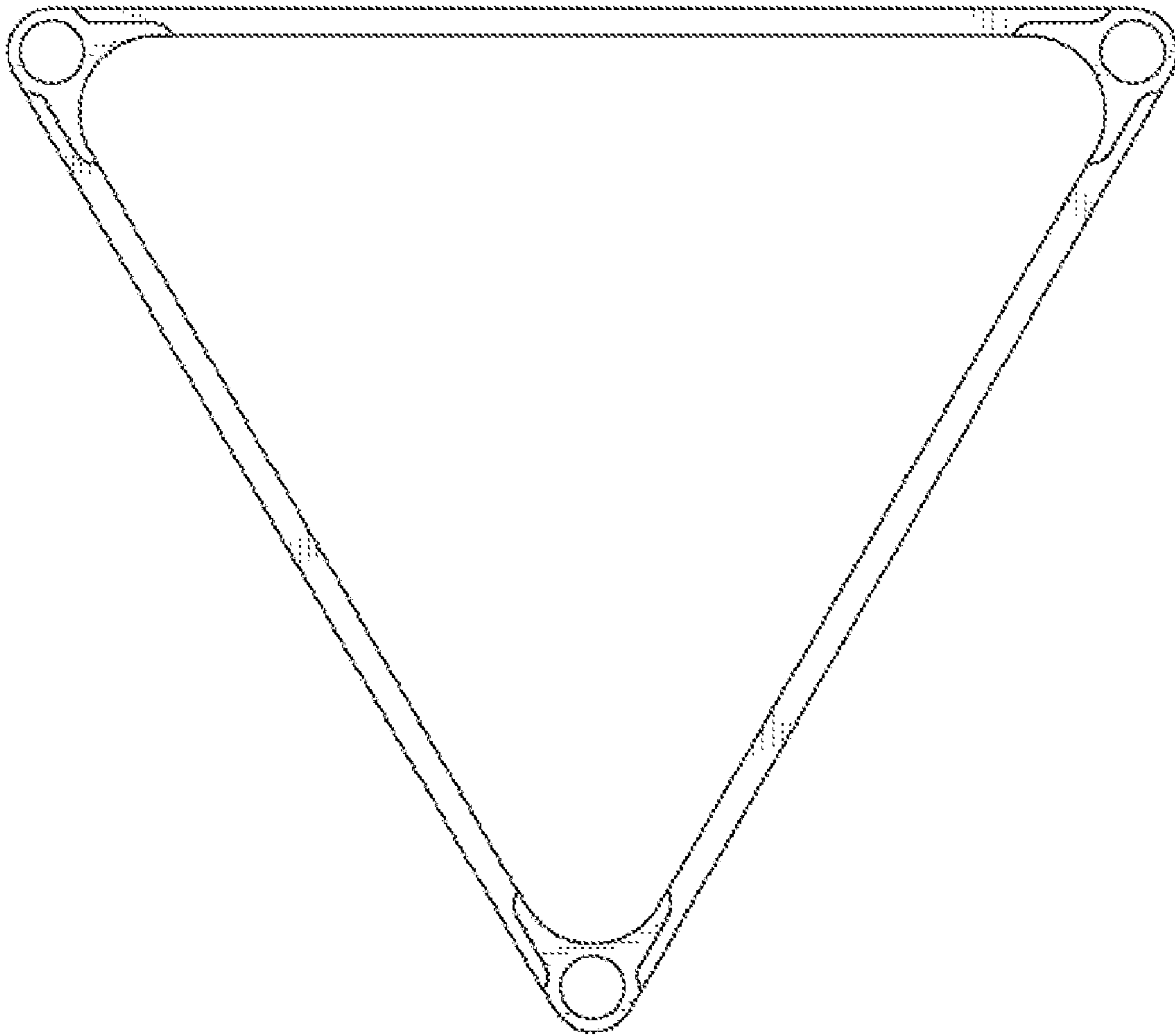


FIG. 8