



US00D574050S

(12) **United States Design Patent**
Jones et al.

(10) **Patent No.:** **US D574,050 S**
(45) **Date of Patent:** **** Jul. 29, 2008**

(54) **GOLF CLUB HEAD**

(75) Inventors: **David D. Jones**, Phoenix, AZ (US);
Xiaojian Chen, Phoenix, AZ (US);
Richard R. Sanchez, New River, AZ
(US)

(73) Assignee: **Karsten Manufacturing Corporation**,
Phoenix, AZ (US)

(**) Term: **14 Years**

(21) Appl. No.: **29/306,663**

(22) Filed: **Apr. 14, 2008**

(51) **LOC (8) Cl.** **21-02**

(52) **U.S. Cl.** **D21/759**

(58) **Field of Classification Search** D21/736-746,
D21/753, 759; 473/324-331, 340-341, 251-256
See application file for complete search history.

(56) **References Cited**

U.S. PATENT DOCUMENTS

2,954,231 A	9/1960	MacIntyre	
D231,375 S *	4/1974	Solheim	D21/742
D255,373 S *	6/1980	Solheim	D21/743
D283,039 S *	3/1986	Solheim	D21/743
4,655,459 A	4/1987	Antonious	
D289,912 S *	5/1987	Cotchonis	D21/744
D296,120 S *	6/1988	Brace	D21/739
D297,154 S	8/1988	Antonious	
4,915,385 A	4/1990	Anderson	
D321,232 S	10/1991	Antonious	
D324,711 S *	3/1992	Antonious	D21/736
D325,061 S	3/1992	Antonious	
D334,959 S *	4/1993	Iinuma et al.	D21/743
D341,405 S *	11/1993	Solheim	D21/743
D363,327 S *	10/1995	Greene et al.	D21/744
D363,328 S *	10/1995	Greene et al.	D21/744
D363,330 S *	10/1995	Greene et al.	D21/744
D379,391 S	5/1997	Moore	
D396,080 S *	7/1998	Bottema	D21/736
D399,911 S *	10/1998	Nicolette et al.	D21/736
D403,724 S *	1/1999	Palmer	D21/736

D405,836 S *	2/1999	Nicolette et al.	D21/736
D408,064 S *	4/1999	Slucker	D21/736
D411,271 S *	6/1999	Nelson	D21/738
D427,262 S *	6/2000	Frazetta	D21/743
D428,634 S	7/2000	Nagai et al.	
D433,073 S	10/2000	Sodano	
D443,905 S *	6/2001	Nicolette et al.	D21/743
6,375,583 B1	4/2002	Solheim	
6,409,612 B1	6/2002	Evans et al.	
D463,517 S *	9/2002	Ngon	D21/736
D485,320 S	1/2004	Breier et al.	
D486,194 S *	2/2004	Helmstetter et al.	D21/743
D498,276 S *	11/2004	Schweigert et al.	D21/743
D500,109 S *	12/2004	Solheim et al.	D21/736
D500,110 S *	12/2004	Solheim et al.	D21/742
6,958,019 B2	10/2005	Rohrer	
6,960,140 B2 *	11/2005	Solheim et al.	473/251
6,966,845 B2	11/2005	Solheim et al.	
7,052,411 B2	5/2006	Solheim et al.	

(Continued)

OTHER PUBLICATIONS

David D. Jones, et al., "Golf Putter Heads and Removable Putter Weights," U.S. Appl. No. 12/101,101, filed Apr. 10, 2008.

(Continued)

Primary Examiner—Mitchell I Siegel

(57) **CLAIM**

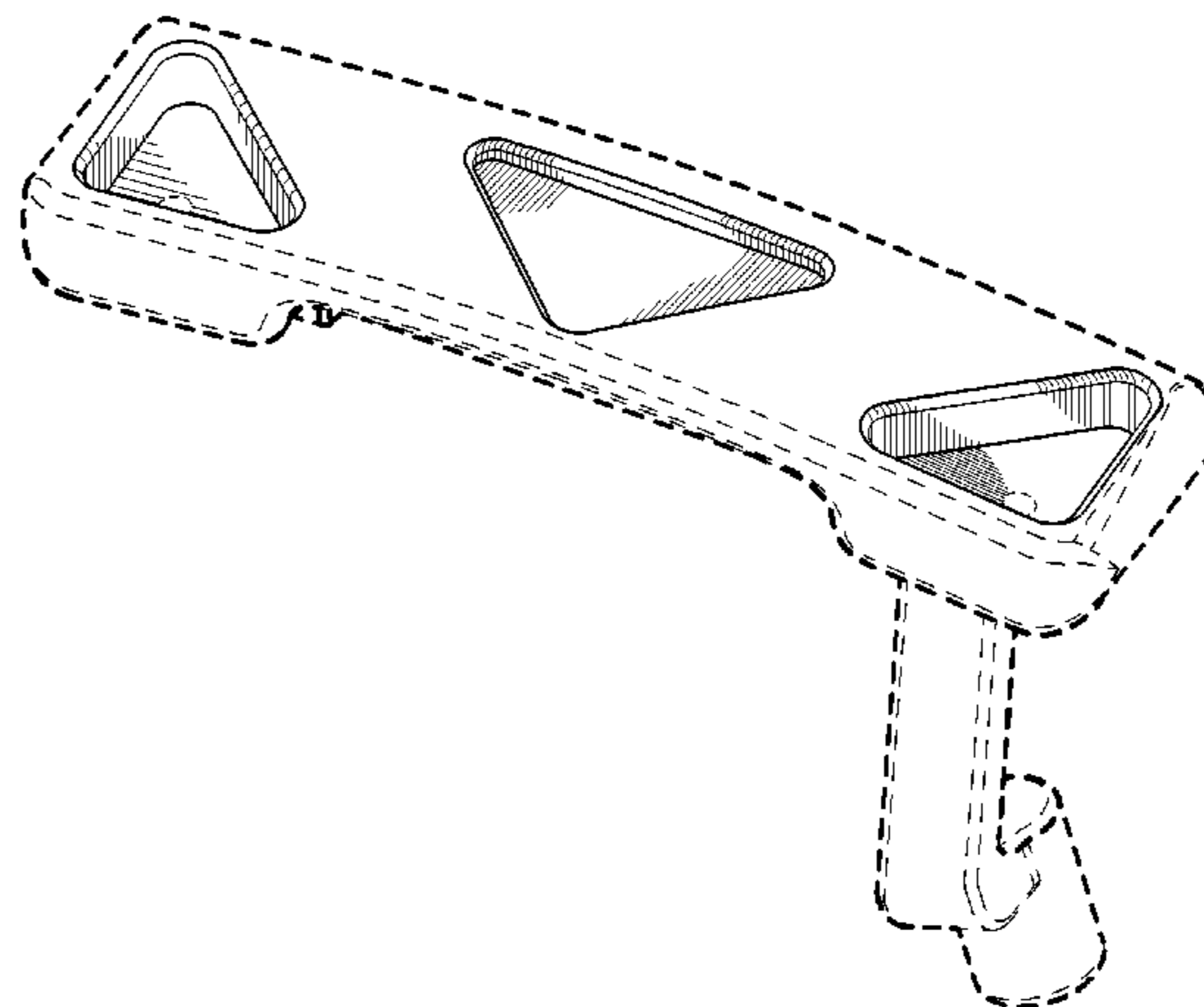
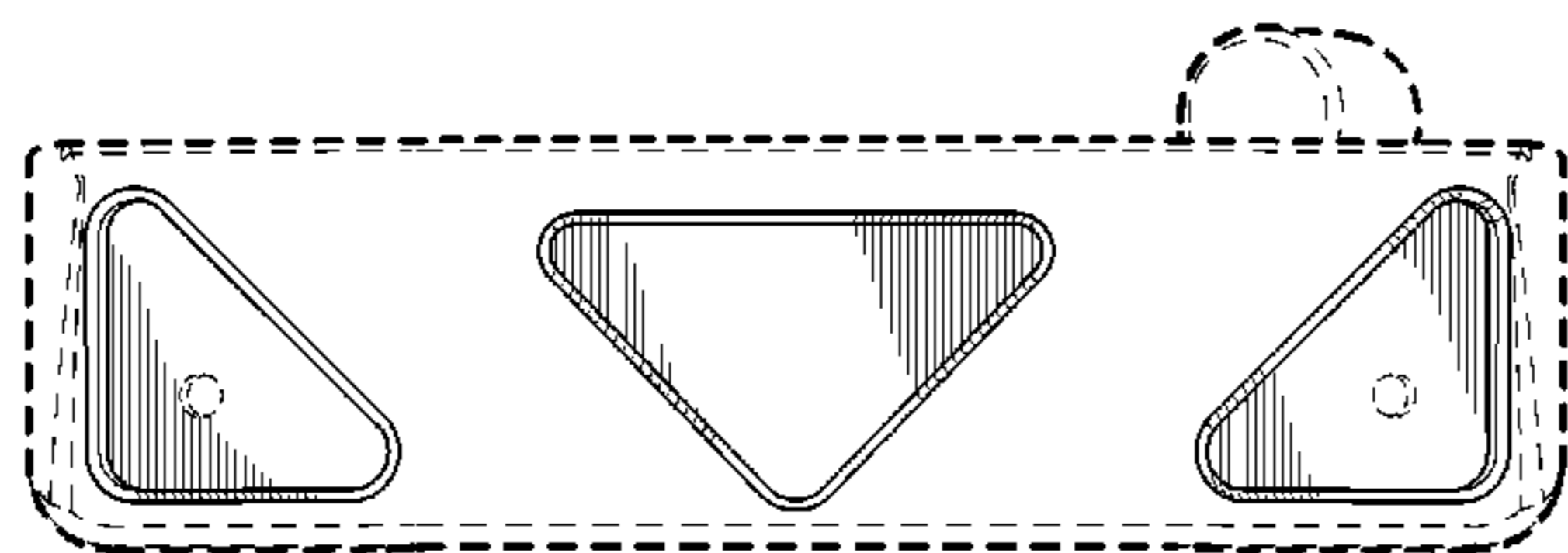
The ornamental design for a golf club head, as shown and described.

DESCRIPTION

FIG. 1 is a top perspective view of the golf club head; and, FIG. 2 is a bottom perspective view of the golf club head of FIG. 1.

The broken lines shown in one or more of the figures are for illustrative purposes only and form no part of the claimed design.

1 Claim, 1 Drawing Sheet



U.S. PATENT DOCUMENTS

D522,598 S * 6/2006 Solheim et al. D21/742
D525,327 S * 7/2006 Jones et al. D21/736
D525,329 S * 7/2006 Jones et al. D21/736
7,086,957 B2 8/2006 Solheim et al.
D532,842 S * 11/2006 Jones et al. D21/736
D532,843 S * 11/2006 Jones et al. D21/736
D541,362 S 4/2007 Oldknow et al.
7,220,189 B2 5/2007 Wieland et al.
7,235,021 B2 6/2007 Solheim et al.
D547,403 S * 7/2007 Serrano et al. D21/736
D547,404 S * 7/2007 Serrano et al. D21/736
D547,405 S * 7/2007 Serrano et al. D21/736
7,255,650 B2 * 8/2007 Braynt et al. 473/252
D555,220 S 11/2007 Flaherty
2004/0110574 A1 6/2004 Green
2006/0148585 A1 7/2006 Vinton
2007/0117653 A1 5/2007 Yoneyama
2007/0207875 A1 9/2007 Kuan et al.

2007/0238547 A1 10/2007 Jones

OTHER PUBLICATIONS

David D. Jones, et al., "Golf Club Head," U.S. Appl. No. 29/306,646, filed Apr. 14, 2008.
David D. Jones, et al., "Golf Club Head," U.S. Appl. No. 29/306,647, filed Apr. 14, 2008.
David D. Jones, et al., "Golf Club Head," U.S. Appl. No. 29/306,649, filed Apr. 14, 2008.
David D. Jones, et al., "Golf Club Head," U.S. Appl. No. 29/306,652, filed Apr. 14, 2008.
David D. Jones, et al., "Golf Club Head," U.S. Appl. No. 29/306,655, filed Apr. 14, 2008.
David D. Jones, et al., "Golf Club Head," U.S. Appl. No. 29/306,663, filed Apr. 14, 2008.
David D. Jones, et al., "Golf Putter Head," U.S. Appl. No. 29/306,668, filed Apr. 14, 2008.
Xiaojian Chen, et al., "Configuration of a Golf Club Head," U.S. Appl. No. 29/282,479, filed Jul. 20, 2007.

* cited by examiner

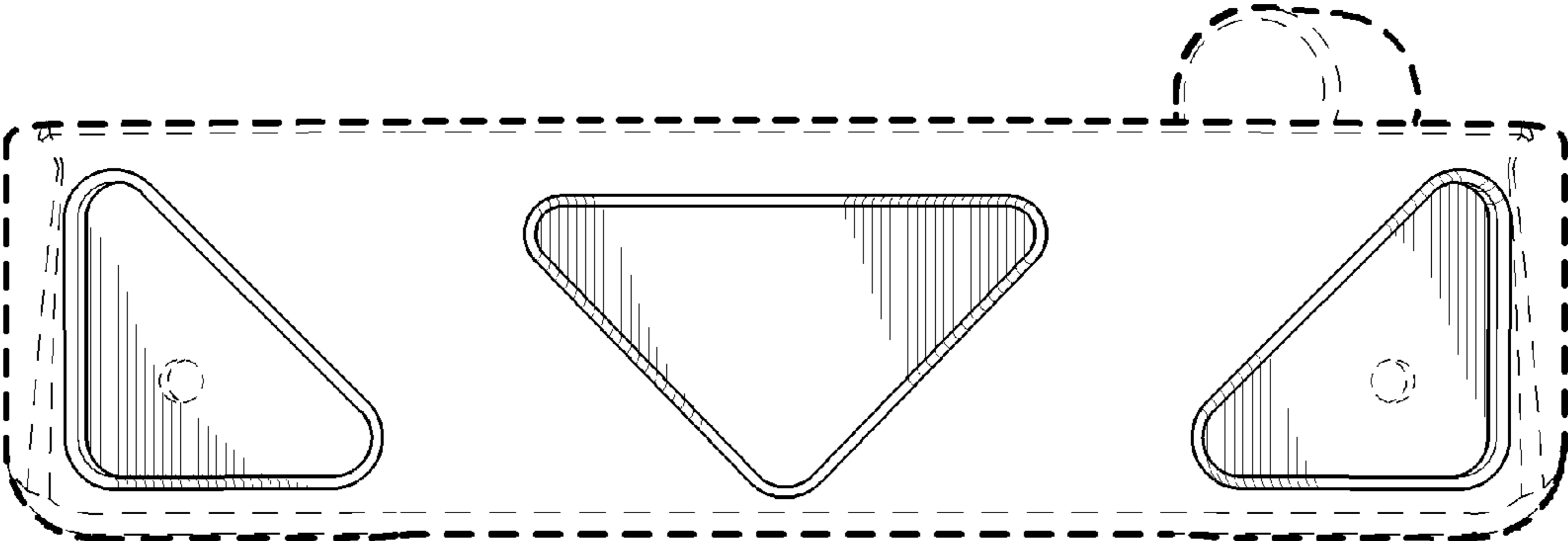


Fig. 1

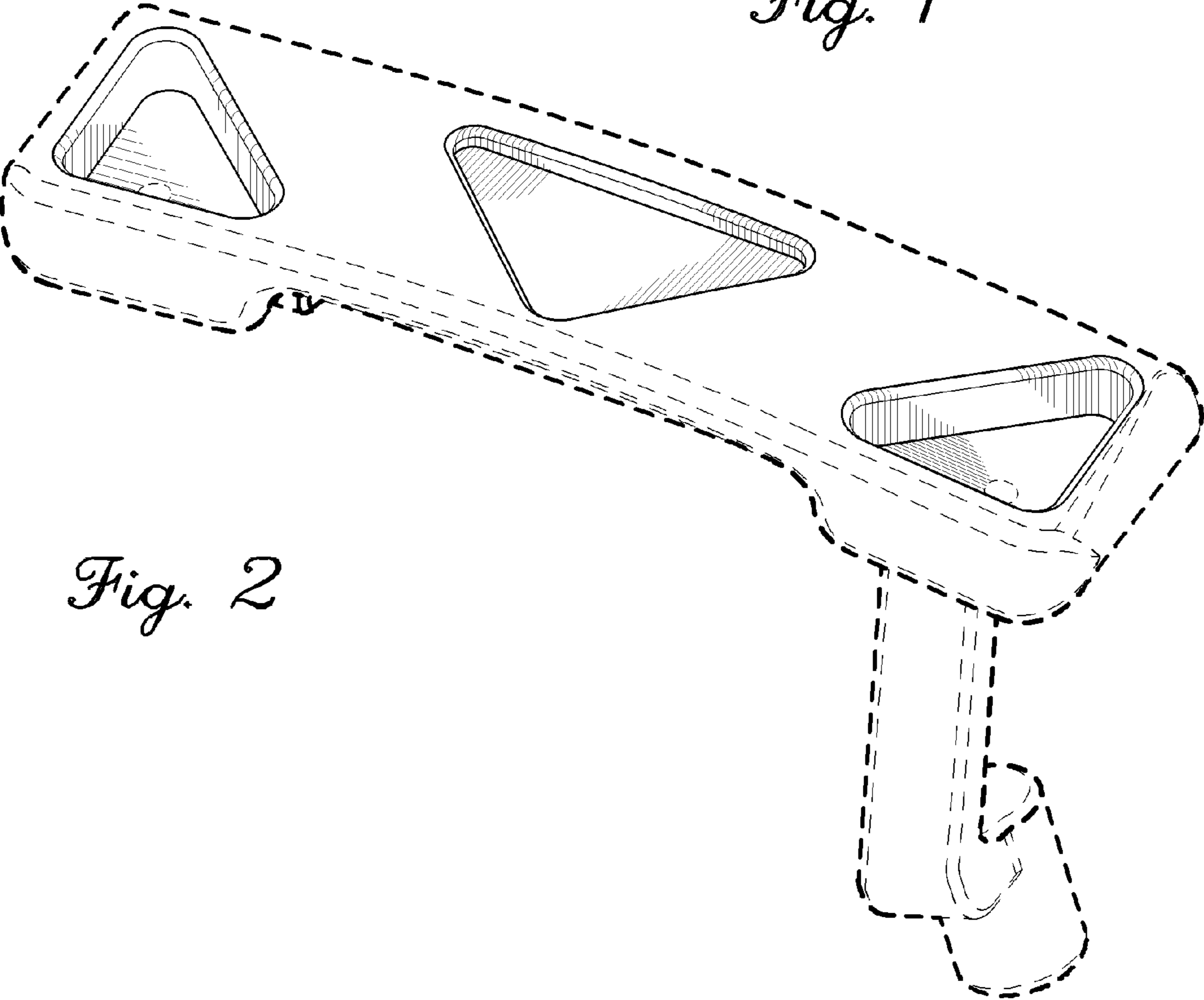


Fig. 2