



US00D574047S

(12) **United States Design Patent**
Kawami

(10) **Patent No.:** **US D574,047 S**
(45) **Date of Patent:** **** Jul. 29, 2008**

(54) **HEAD FOR GOLF CLUB**
(75) Inventor: **Hiroshi Kawami**, Kobe (JP)
(73) Assignee: **SRI Sports, Ltd.**, Kobe-shi (JP)
(**) Term: **14 Years**
(21) Appl. No.: **29/274,823**
(22) Filed: **May 30, 2007**
(51) **LOC (8) Cl.** **21-02**
(52) **U.S. Cl.** **D21/759**
(58) **Field of Classification Search** D21/747-751,
D21/753, 759; 473/324-331, 350
See application file for complete search history.

(56) **References Cited**
U.S. PATENT DOCUMENTS
D549,791 S * 8/2007 Morris et al. D21/748
D559,931 S * 1/2008 Roach et al. D21/747

FOREIGN PATENT DOCUMENTS
JP 1062771 S 3/2000
JP 1077587 S 7/2000
JP 1150632 S 8/2002
JP 1159079 S 11/2002
JP 1199297 S 3/2004
JP 1259983 S 1/2006

JP 1277773 S 7/2006
OTHER PUBLICATIONS
“Golf Equipment Guide ’98”, Mizuno’s, Grand Mararch p. 33 , Jan. 1998.
Dunlop Golf Catalog 2000 Spring & Summer, “Tour Special XXIO”, p. 004 Jan. 2000.
Edwin Watts Golf Catalog, Date Unknown.
* cited by examiner
Primary Examiner—Mitchell I Siegel
(74) *Attorney, Agent, or Firm*—Birch, Stewart, Kolasch & Birch, LLP

(57) **CLAIM**
The ornamental design for a head for golf club, as shown and described.

DESCRIPTION
FIG. 1 is a perspective view of a head for golf club;
FIG. 2 is an elevational view thereof;
FIG. 3 is a left side view thereof;
FIG. 4 is a right side view thereof;
FIG. 5 is a top view thereof; and,
FIG. 6 is a bottom view thereof.
The portion shown by broken lines is for illustrative purposes only and forms no part of the claimed design. The dashed lines show a borderline between the claimed design and other portion.

1 Claim, 3 Drawing Sheets

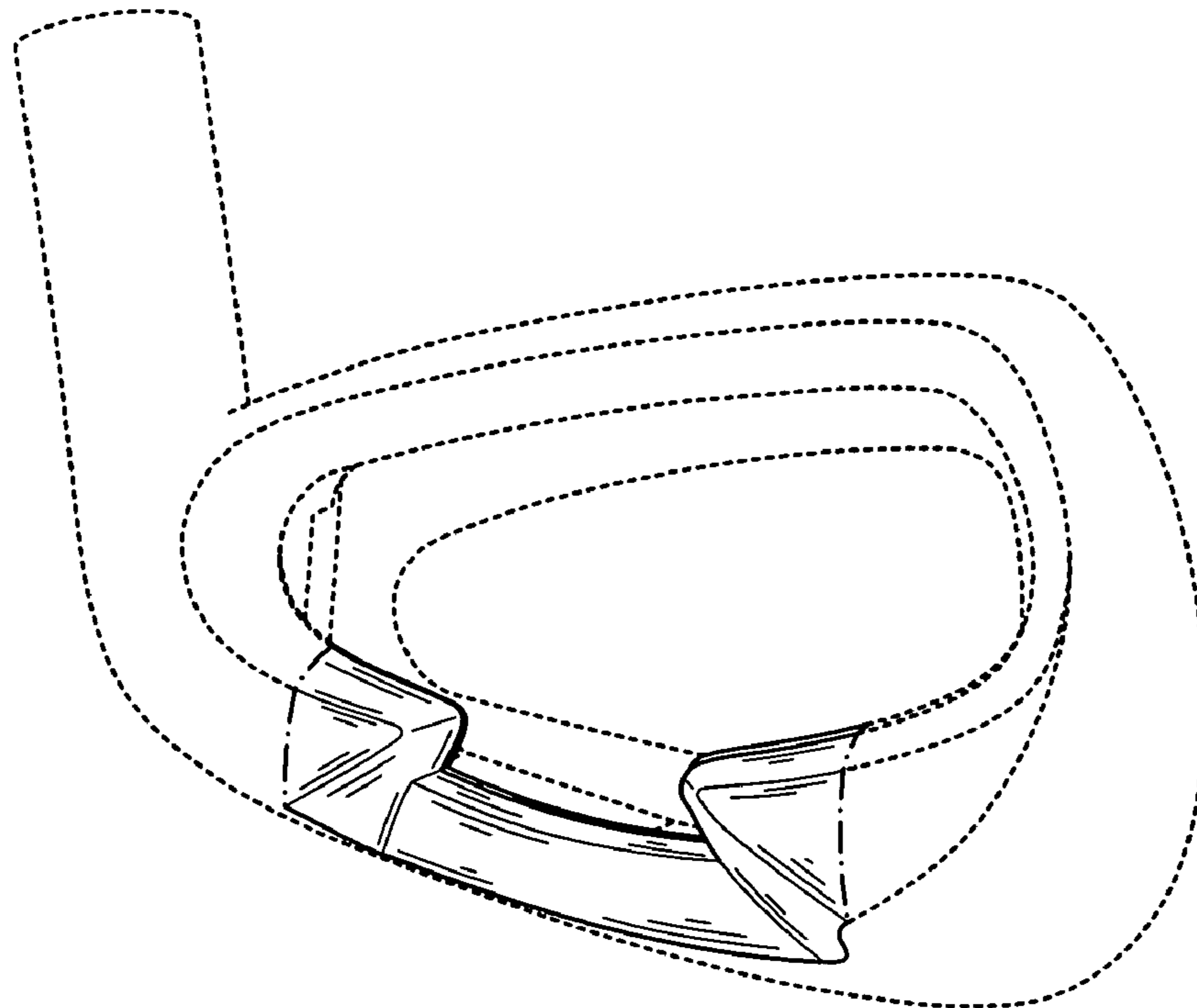


Fig. 1

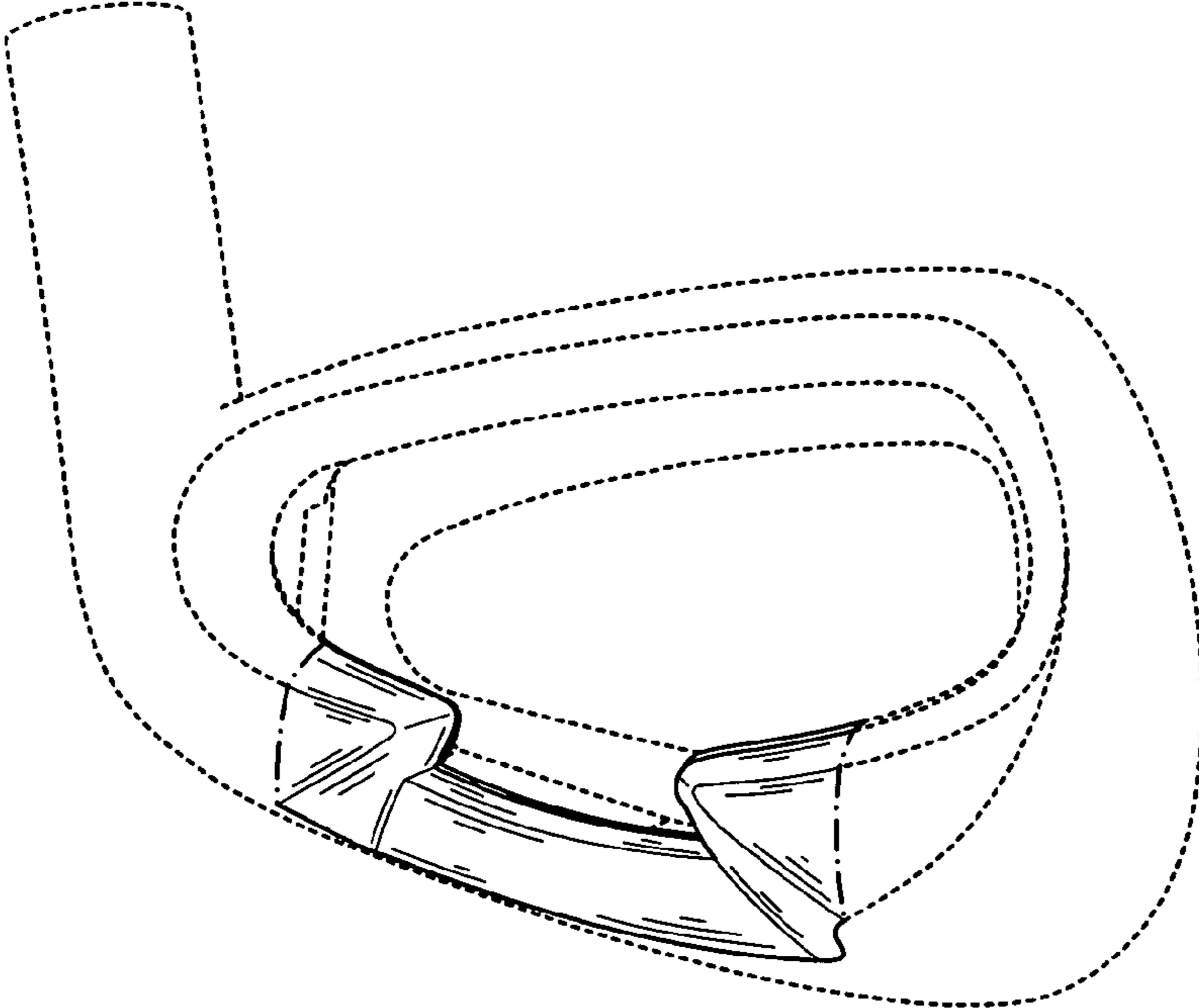


Fig. 2

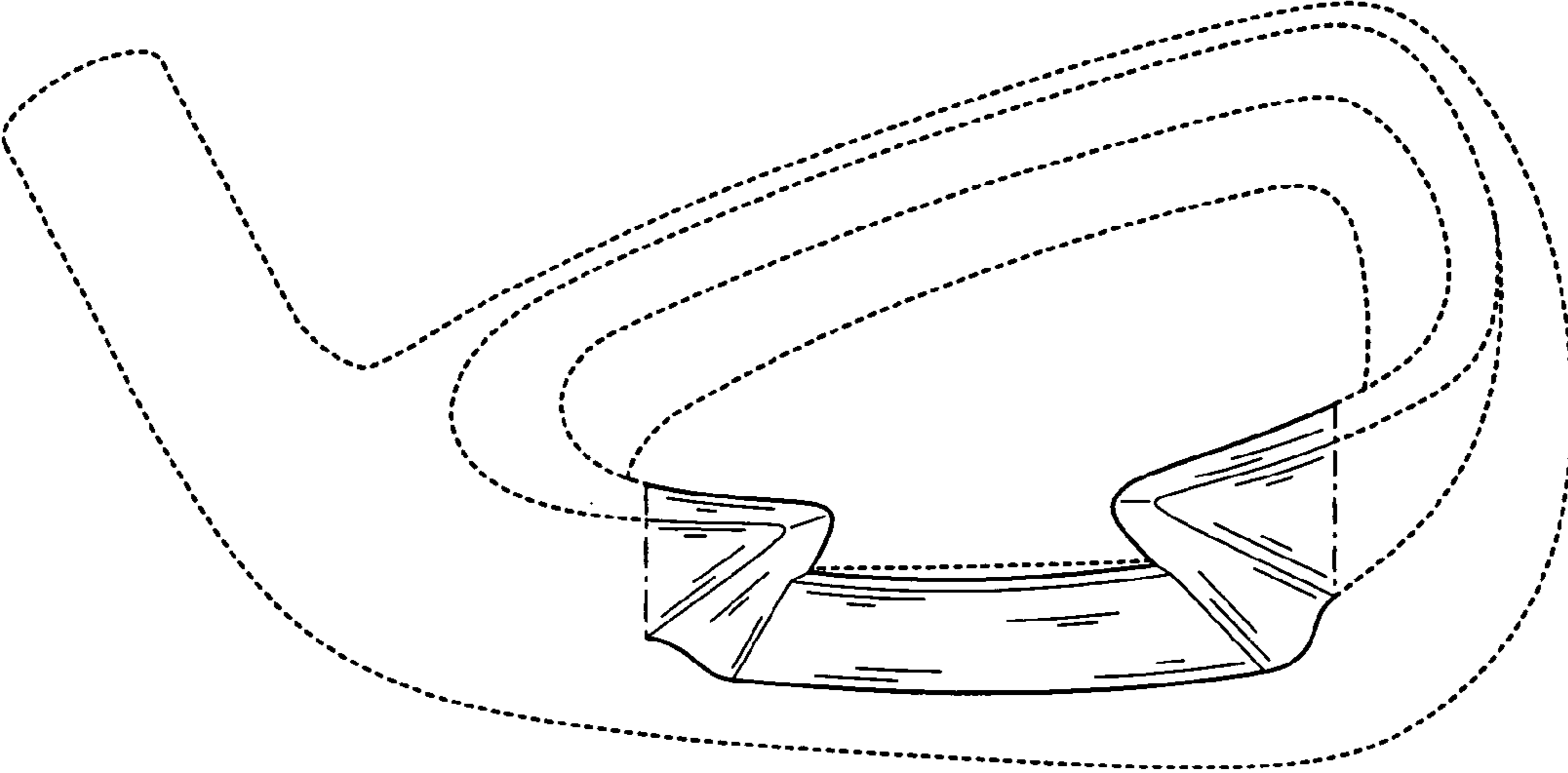


Fig. 3

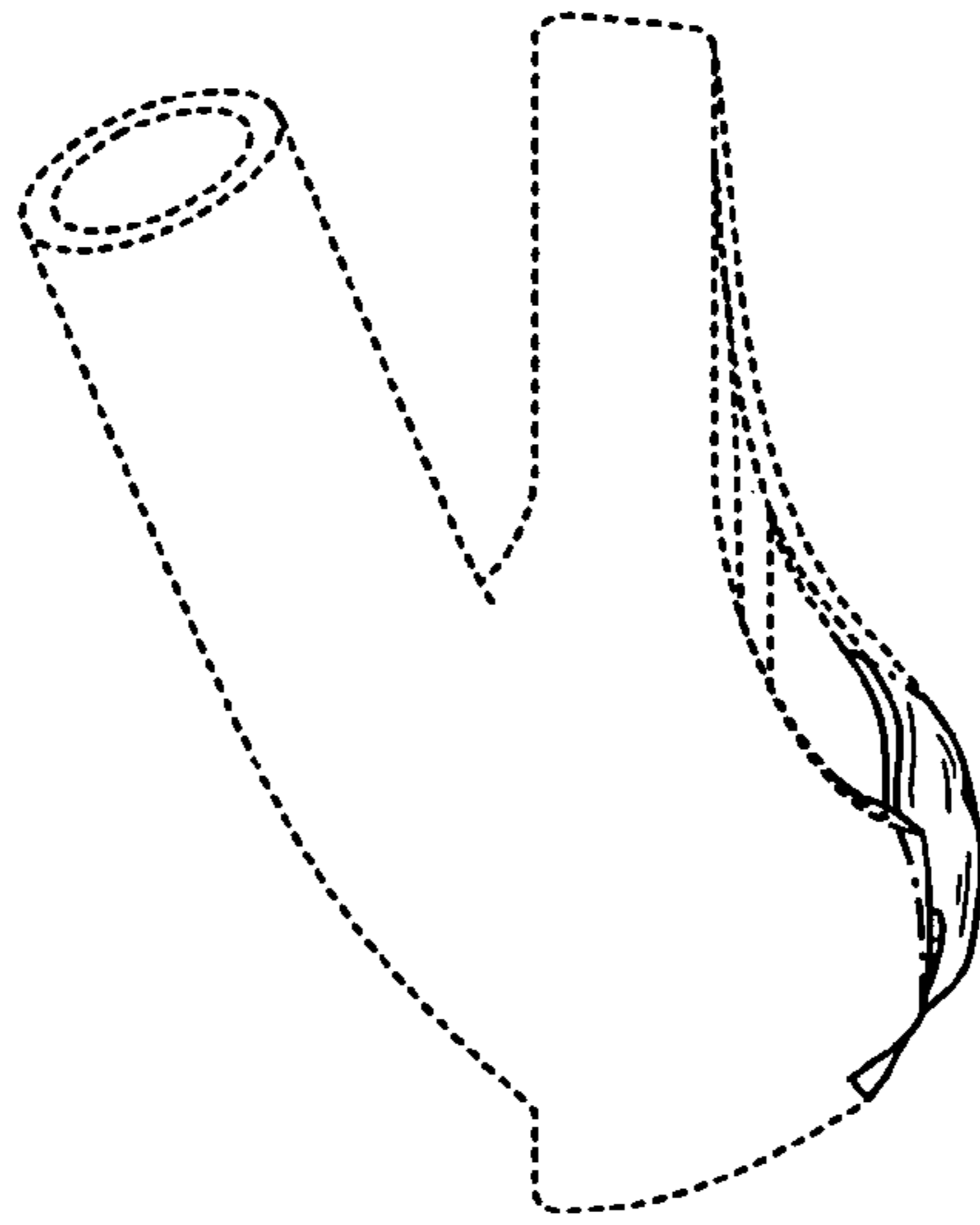


Fig. 4

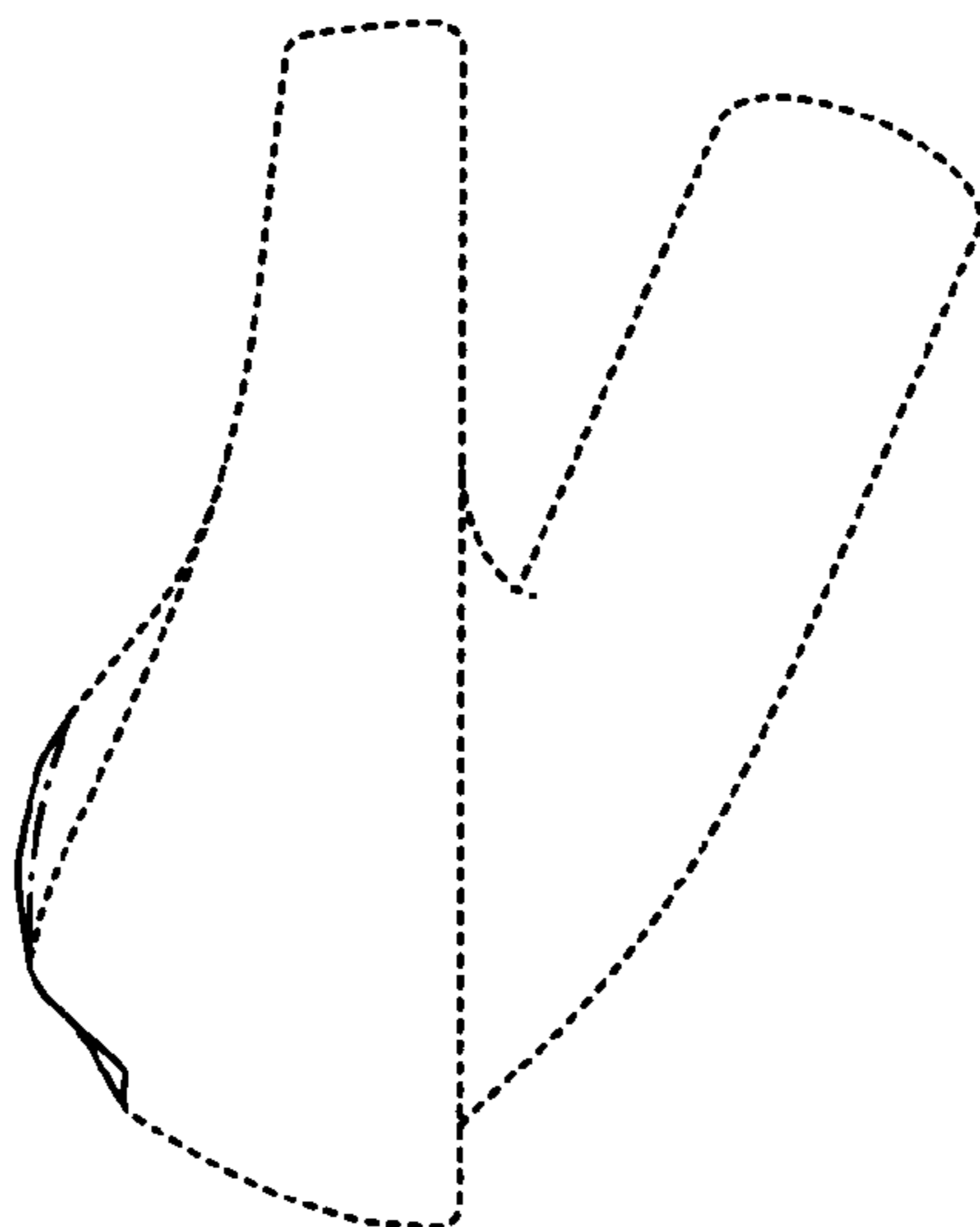


Fig. 5

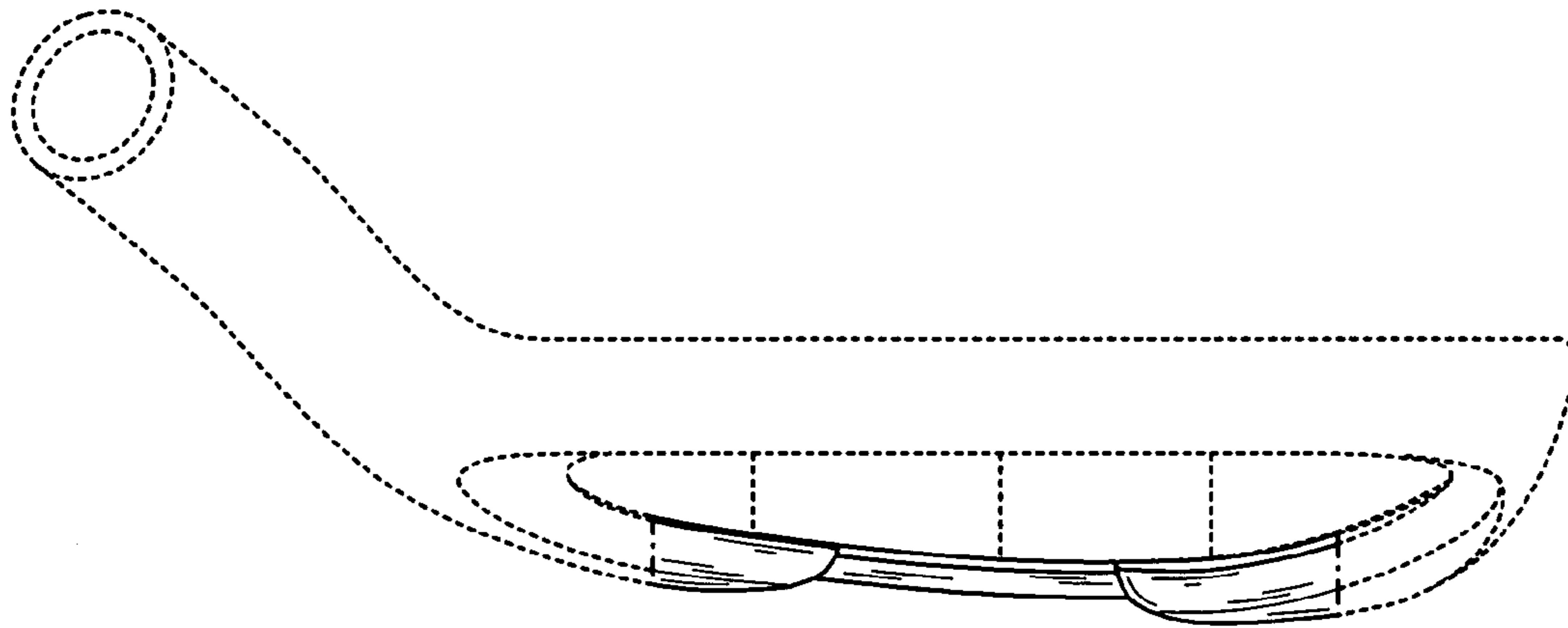


Fig. 6

