



US00D574043S

(12) **United States Design Patent**
Chen et al.

(10) **Patent No.:** **US D574,043 S**
(45) **Date of Patent:** **** Jul. 29, 2008**

- (54) **TREADING EXERCISER**
- (75) Inventors: **Wen-Hsing Chen**, Sijhou Township
Changhua County (TW); **Fa-Kuang
Liang**, Taipei (TW)
- (73) Assignee: **Ancore-Chiou Enterprise Co., Ltd.**,
Changhua Hsien (TW)
- (**) Term: **14 Years**
- (21) Appl. No.: **29/271,675**
- (22) Filed: **Jan. 24, 2007**
- (51) **LOC (8) Cl.** **21-02**
- (52) **U.S. Cl.** **D21/688**
- (58) **Field of Classification Search** D21/662,
D21/686, 688, 698, 671, 668, 670, 765; 482/51,
482/146, 147, 80
See application file for complete search history.

- 4,700,947 A * 10/1987 Heatwole 482/146
- 5,330,399 A * 7/1994 Fan 482/34
- 5,496,248 A * 3/1996 Batscher 482/146
- 5,547,447 A * 8/1996 Liang 482/146
- D390,020 S * 2/1998 Huang D6/349
- 6,306,068 B1 * 10/2001 Heatwole 482/146
- D499,456 S * 12/2004 Hsu D21/668
- D505,985 S * 6/2005 Carbonero D21/688

* cited by examiner

Primary Examiner—Philip Hyder

(74) *Attorney, Agent, or Firm*—Alan Kamrath; Kamrath &
Associates PA

(57) **CLAIM**

The ornamental design for a treading exerciser, as shown and described.

DESCRIPTION

FIG. 1 is a perspective view of a treading exerciser showing my design;

FIG. 2 is a front elevational view thereof;

FIG. 3 is a left side elevational view thereof; and,

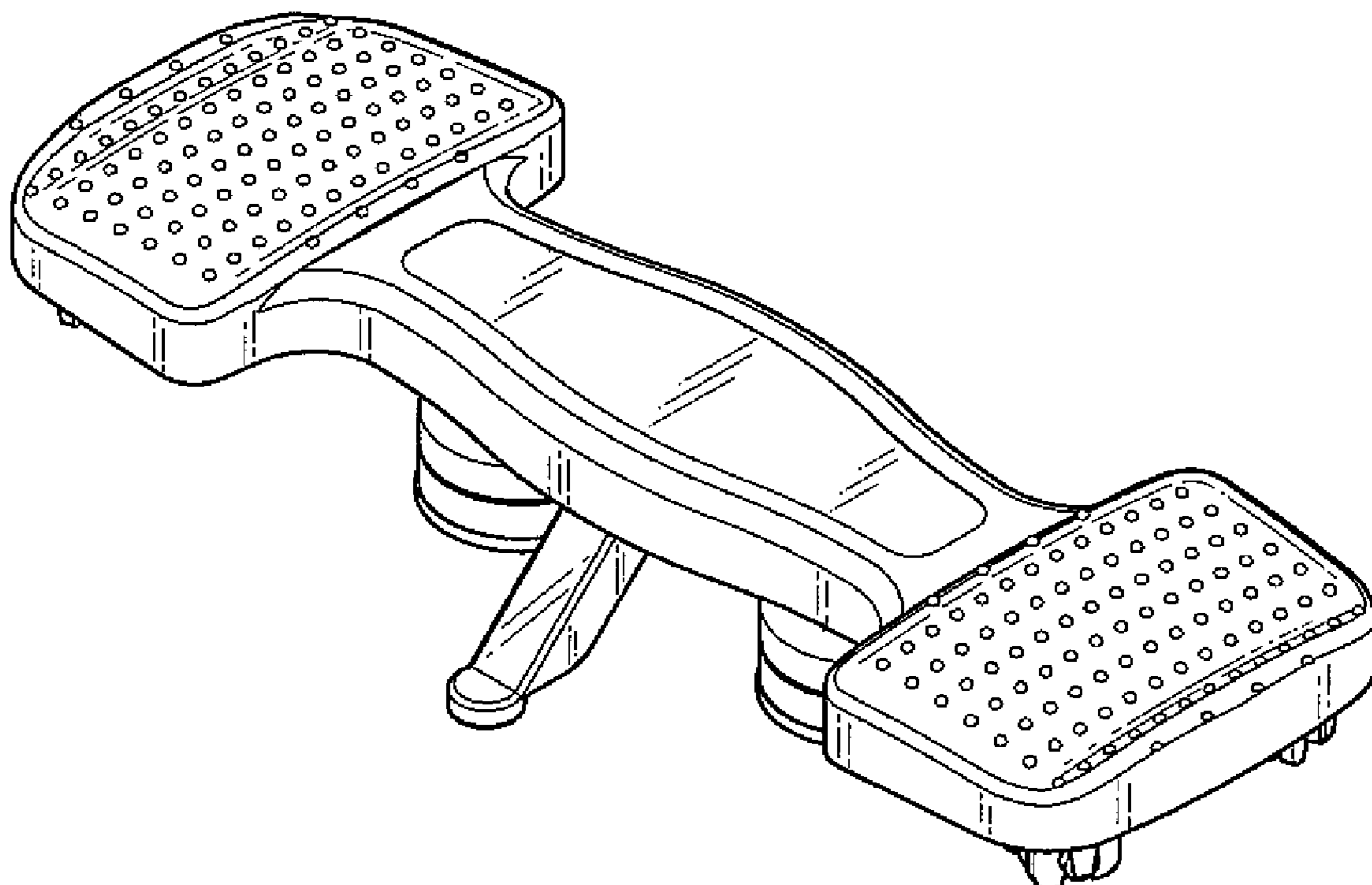
FIG. 4 is a top plan view thereof.

The broken lines portions of FIGS. 2, 3 and 5 form no part of the claimed design.

1 Claim, 3 Drawing Sheets

(56) **References Cited**
U.S. PATENT DOCUMENTS

- D189,826 S * 2/1961 Katz D21/670
- 3,967,820 A * 7/1976 Harper 482/146
- D261,909 S * 11/1981 Heatwole D21/688
- D265,411 S * 7/1982 Hedenblad et al. D21/688
- D276,062 S * 10/1984 Dennis D21/688



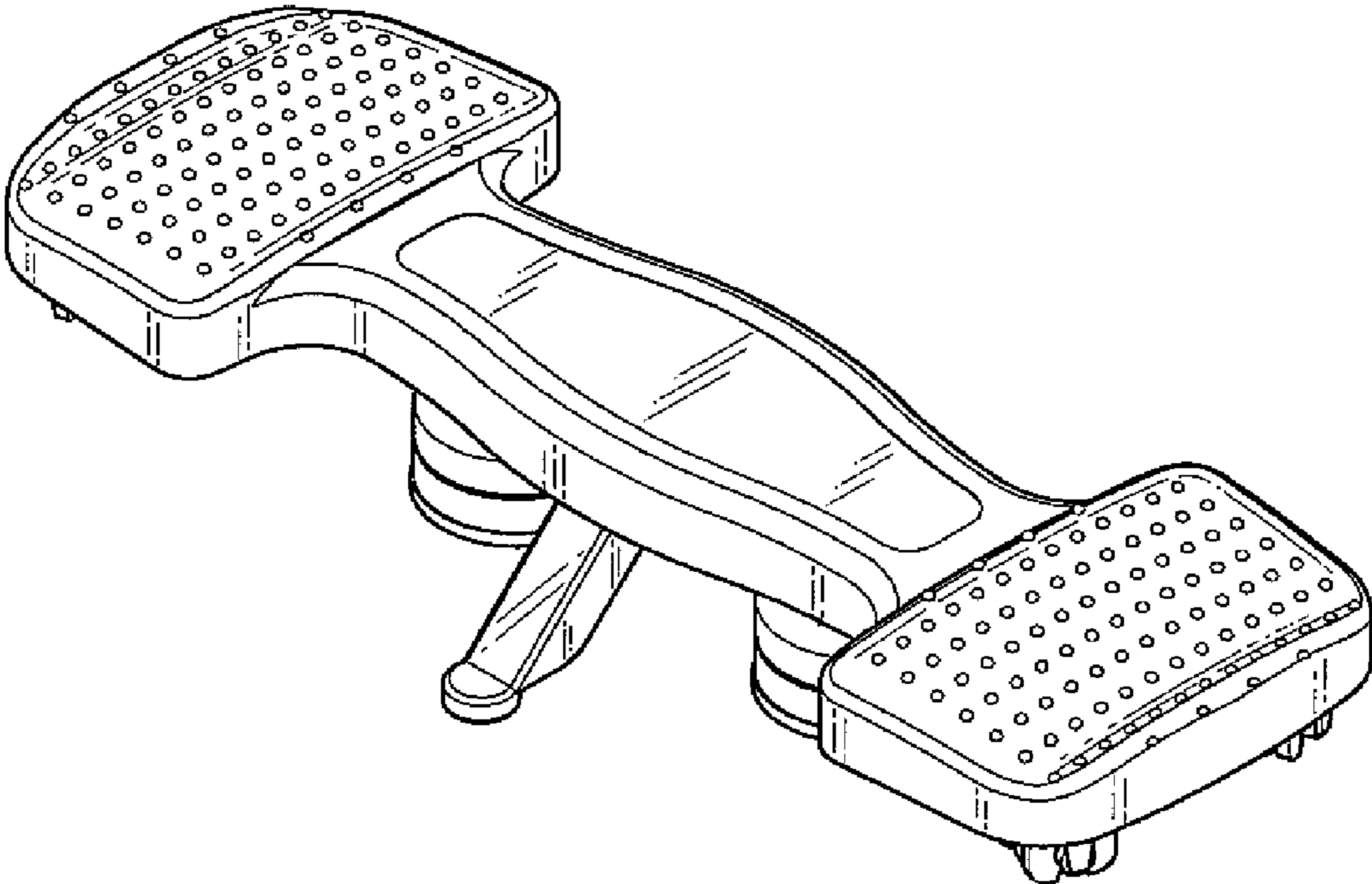


FIG. 1

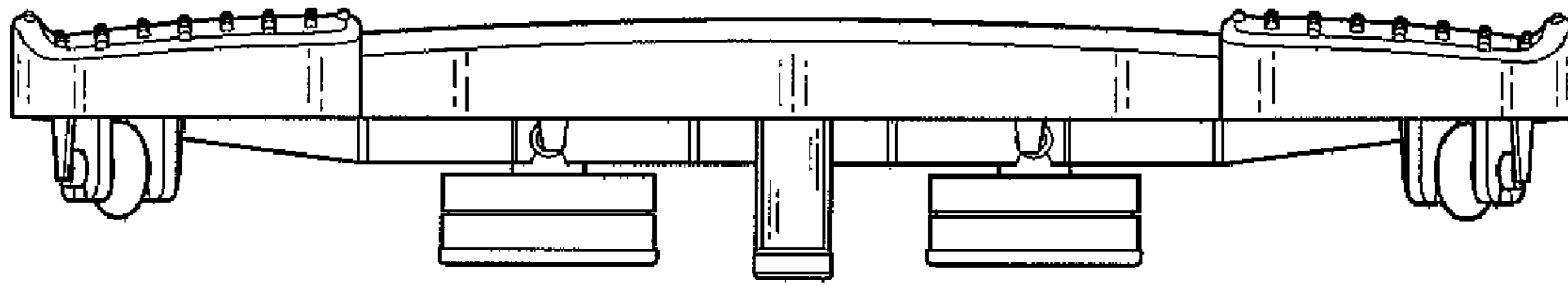


FIG. 2

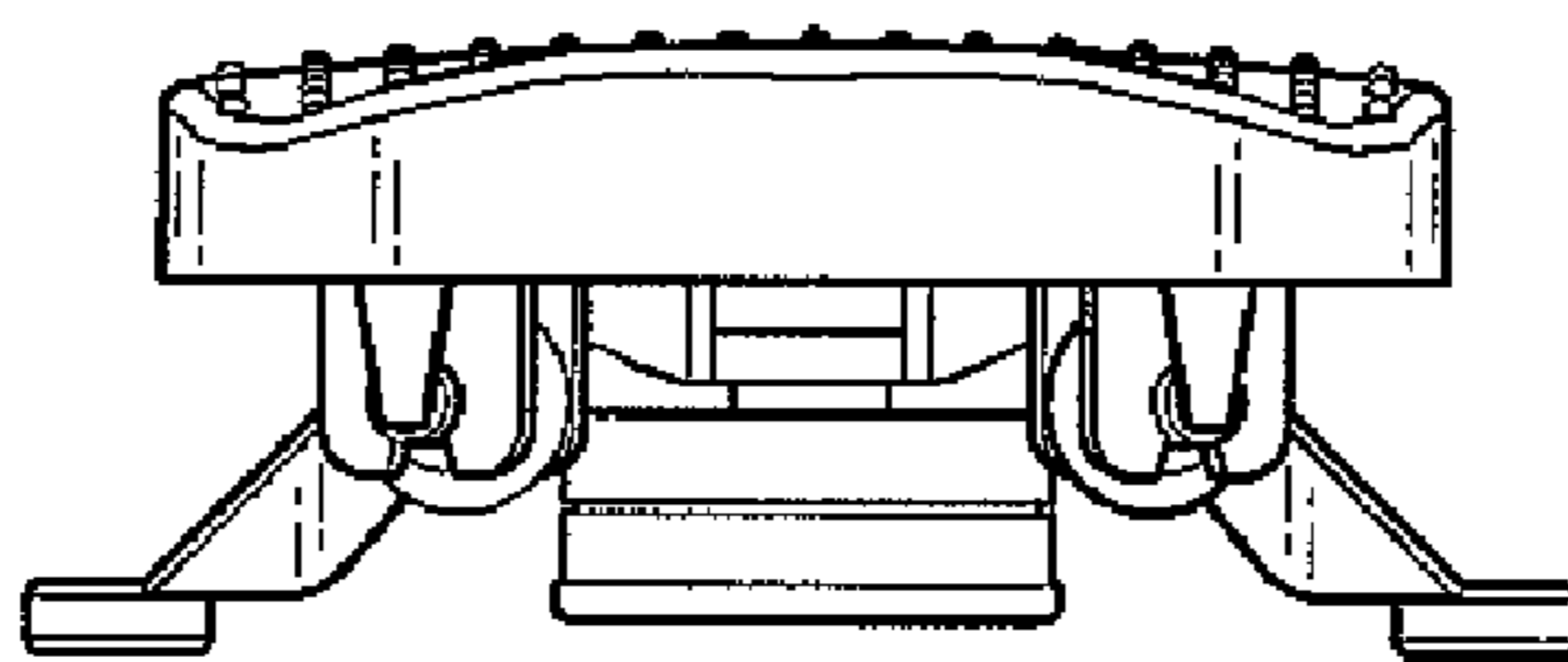


FIG. 3

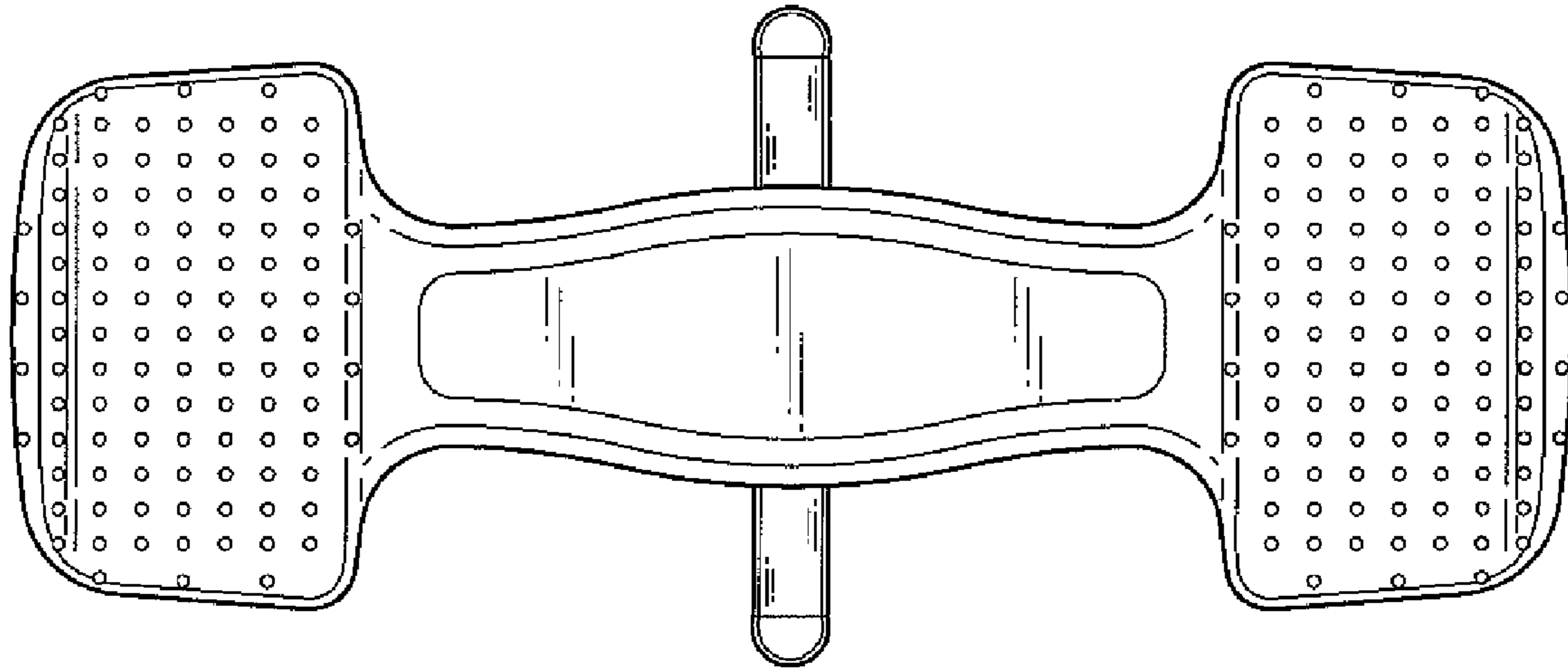


FIG. 4