



US00D574039S

(12) **United States Design Patent**  
**Saito et al.**

(10) **Patent No.:** **US D574,039 S**  
(45) **Date of Patent:** **\*\* Jul. 29, 2008**

(54) **TONER CARTRIDGE**

(75) Inventors: **Yasuhide Saito**, Saitama (JP); **Kazuhiro Saito**, Saitama (JP); **Shinichi Sakai**, Saitama (JP); **Akinori Ono**, Saitama (JP)

(73) Assignee: **Fuji Xerox Co., Ltd.**, Tokyo (JP)

(\*\*) Term: **14 Years**

(21) Appl. No.: **29/296,720**

(22) Filed: **Oct. 26, 2007**

(30) **Foreign Application Priority Data**

Apr. 26, 2007 (JP) ..... 2007-011247

(51) **LOC (8) Cl.** ..... **16-03**

(52) **U.S. Cl.** ..... **D18/43**

(58) **Field of Classification Search** ..... D14/471;  
D18/12, 36, 40, 43, 44, 56; 222/DIG. 1;  
347/197, 222; 399/24-28, 107-112, 119,  
399/121, 122, 222-224

See application file for complete search history.

(56) **References Cited**

**U.S. PATENT DOCUMENTS**

D368,112 S *	3/1996	Komaki	.....	D18/43
D451,125 S *	11/2001	Sugiyama et al.	.....	D18/40
D462,712 S *	9/2002	Katou et al.	.....	D18/43
D463,817 S *	10/2002	Kunihiro et al.	.....	D18/40
D464,079 S *	10/2002	Funayama et al.	.....	D18/43
D464,369 S *	10/2002	Kunihiro et al.	.....	D18/43
6,463,233 B2 *	10/2002	Kojima et al.	.....	399/111
D478,614 S *	8/2003	Numagami et al.	.....	D18/40
D519,150 S *	4/2006	Kojima et al.	.....	D18/40
D522,565 S *	6/2006	Sanada et al.	.....	D18/43

2005/0008391 A1 *	1/2005	Ueno et al.	.....	399/109
2005/0089338 A1 *	4/2005	Hoshi et al.	.....	399/27
2007/0166060 A1 *	7/2007	Hatanaka	.....	399/27

**OTHER PUBLICATIONS**

U.S. Appl. No. 29/296,643, filed Oct. 25, 2007, Kazuhiro Saito.  
U.S. Appl. No. 29/296,661, filed Oct. 25, 2007, Yasuhide Saito.  
U.S. Appl. No. 29/296,660, filed Oct. 25, 2007, Yasuhide Saito.  
U.S. Appl. No. 29/296,670, filed Oct. 25, 2007, Yasuhide Saito.

\* cited by examiner

*Primary Examiner*—Caron D. Veynar

*Assistant Examiner*—Garth Rademaker

(74) *Attorney, Agent, or Firm*—Sughrue Mion, PLLC

(57) **CLAIM**

The ornamental design for a toner cartridge, as shown and described.

**DESCRIPTION**

FIG. 1 is a perspective view of the top, rear and right side of a toner cartridge showing our new design;

FIG. 2 is a front view thereof;

FIG. 3 is a rear view thereof;

FIG. 4 is a top plan view thereof;

FIG. 5 is a bottom view thereof;

FIG. 6 is a right side view thereof;

FIG. 7 is a left side view thereof; and,

FIG. 8 is a perspective view thereof, shown at an enlarged scale.

The broken lines depict environmental subject matter only and form no part of the claimed design.

**1 Claim, 4 Drawing Sheets**

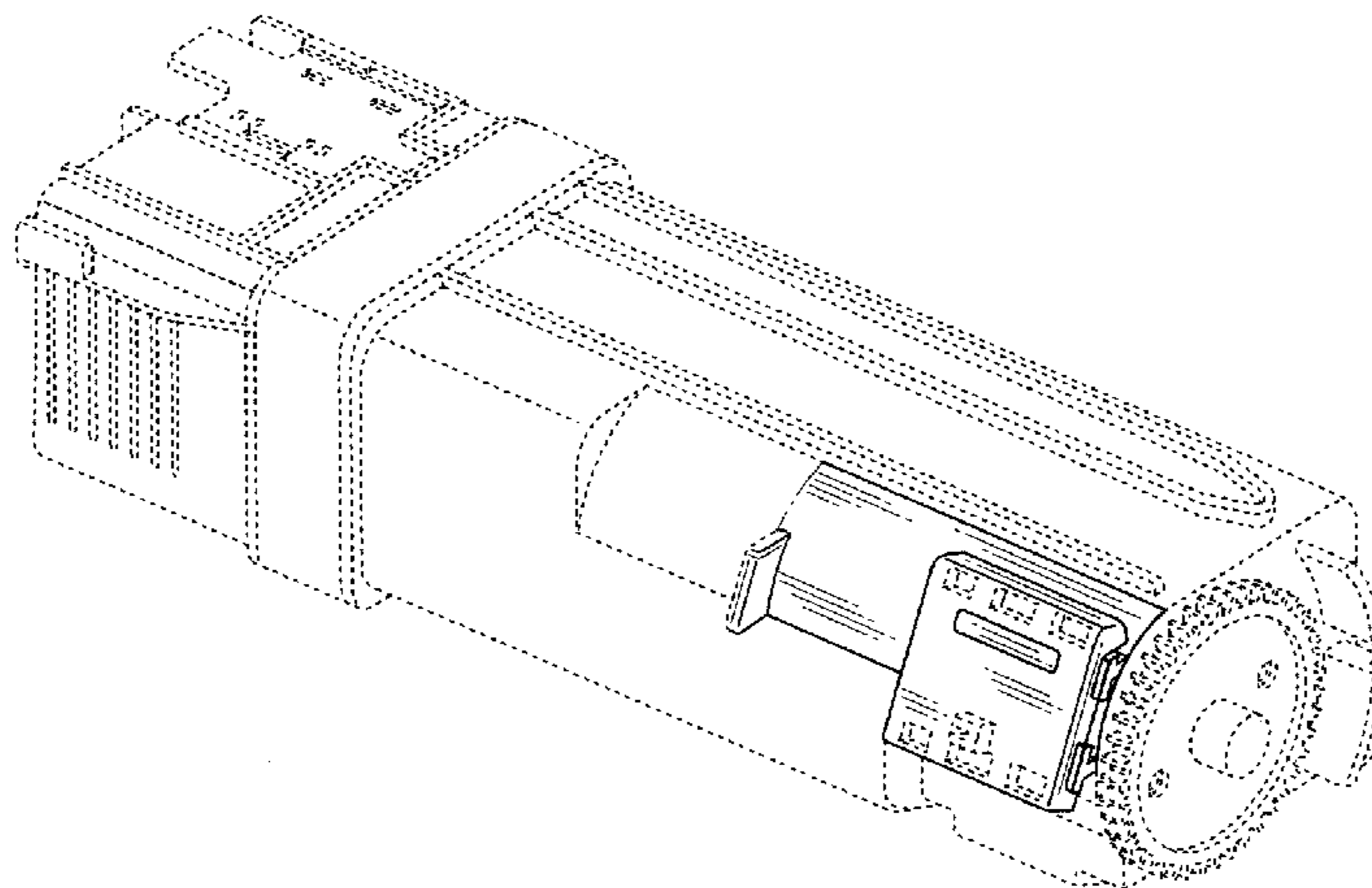


FIG.1

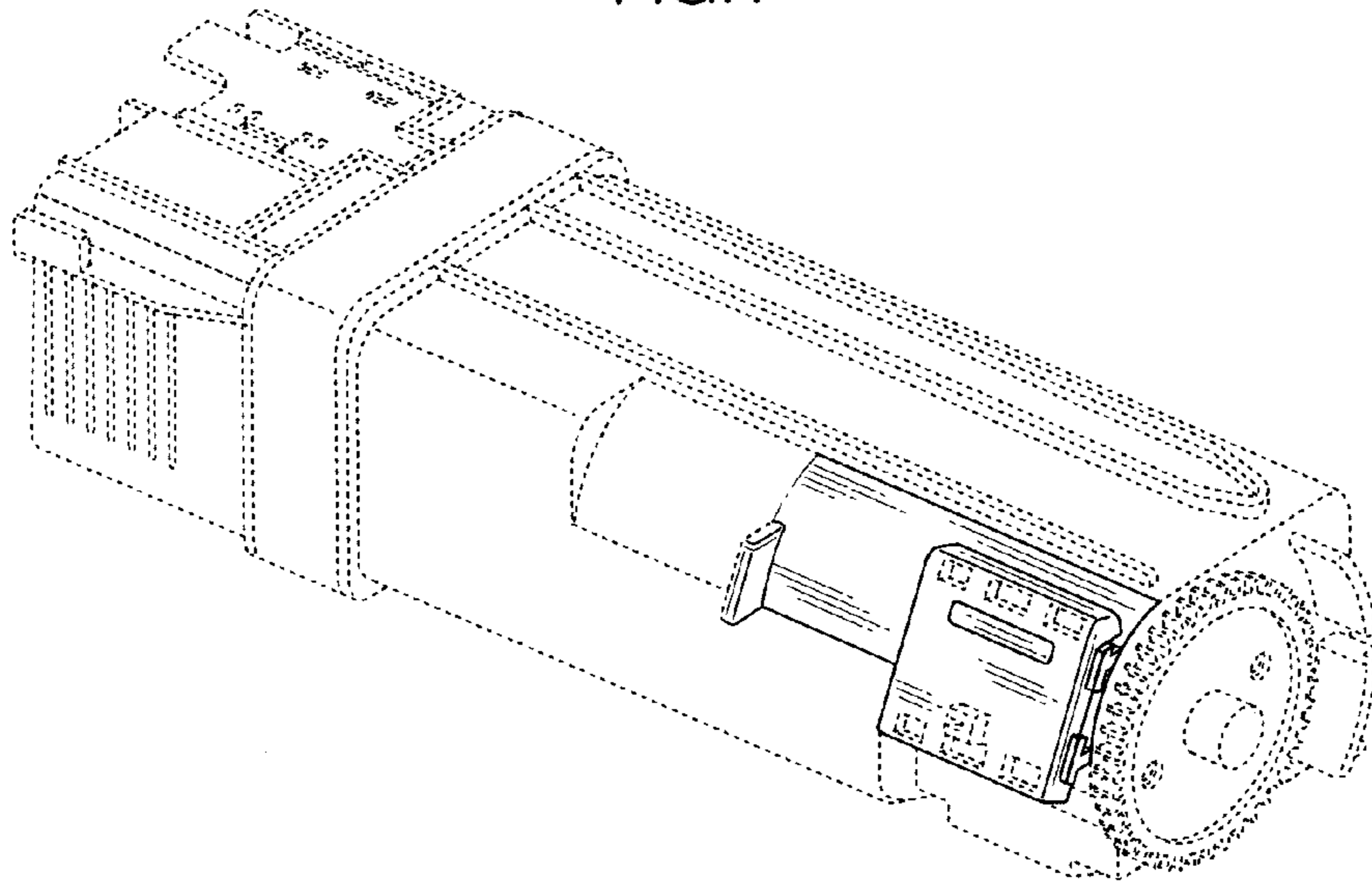


FIG.3

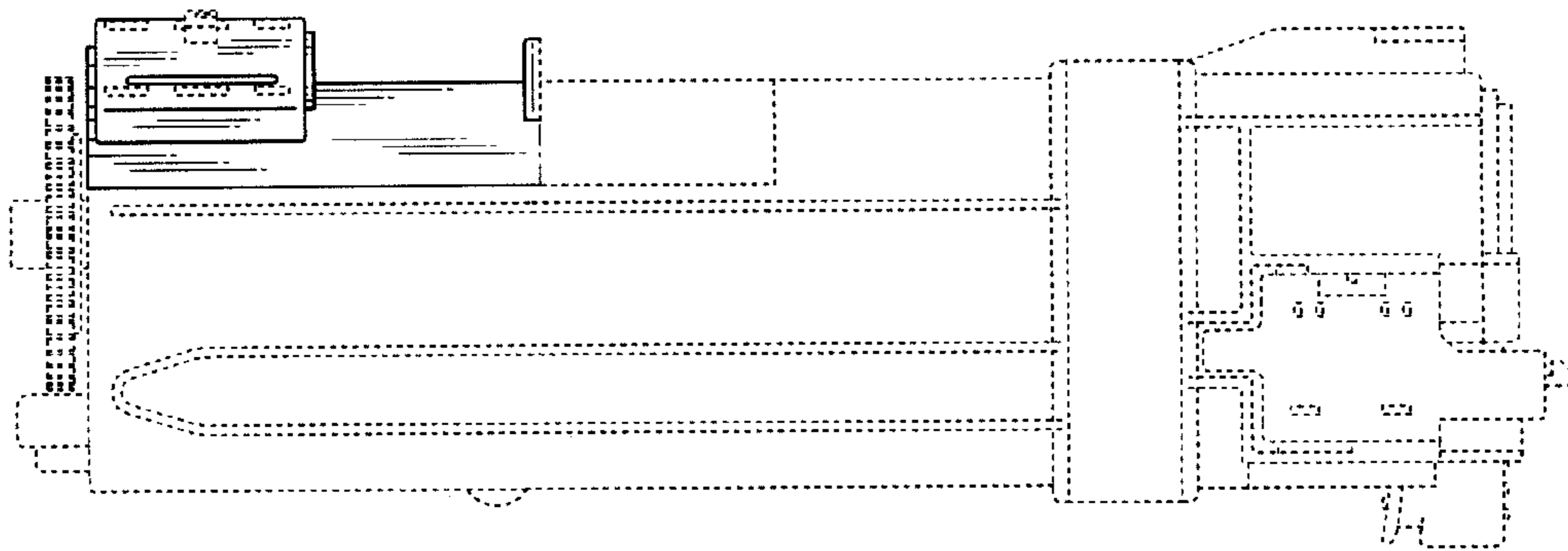


FIG.2

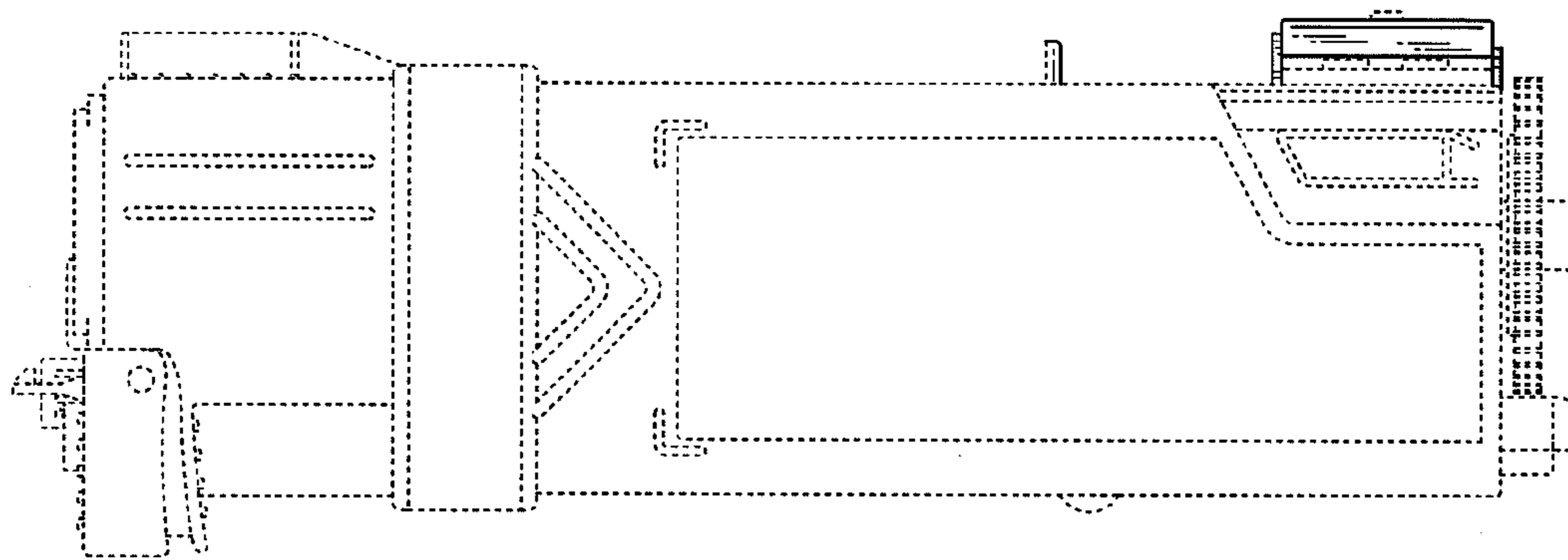


FIG.4

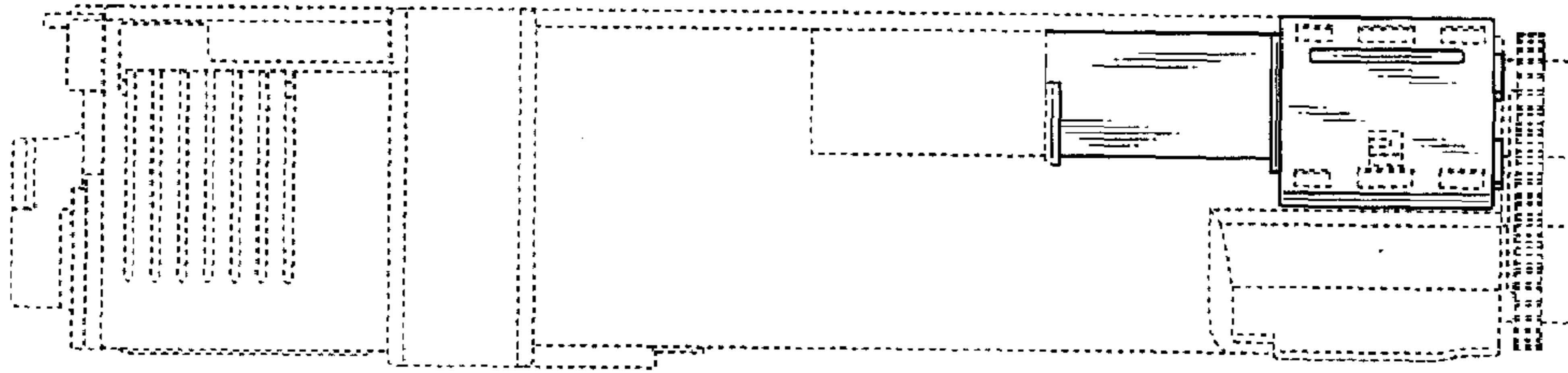


FIG.5

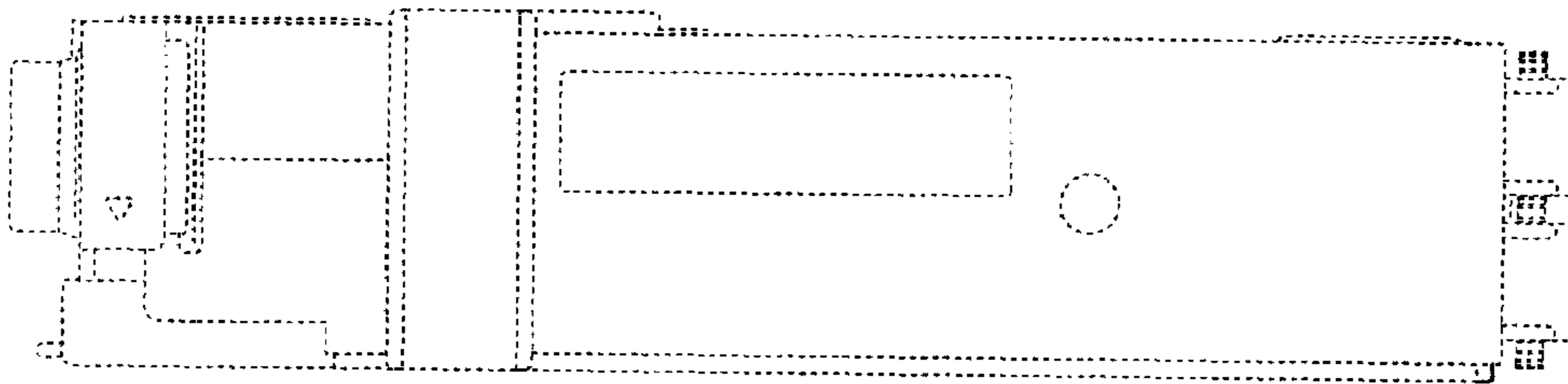


FIG.7

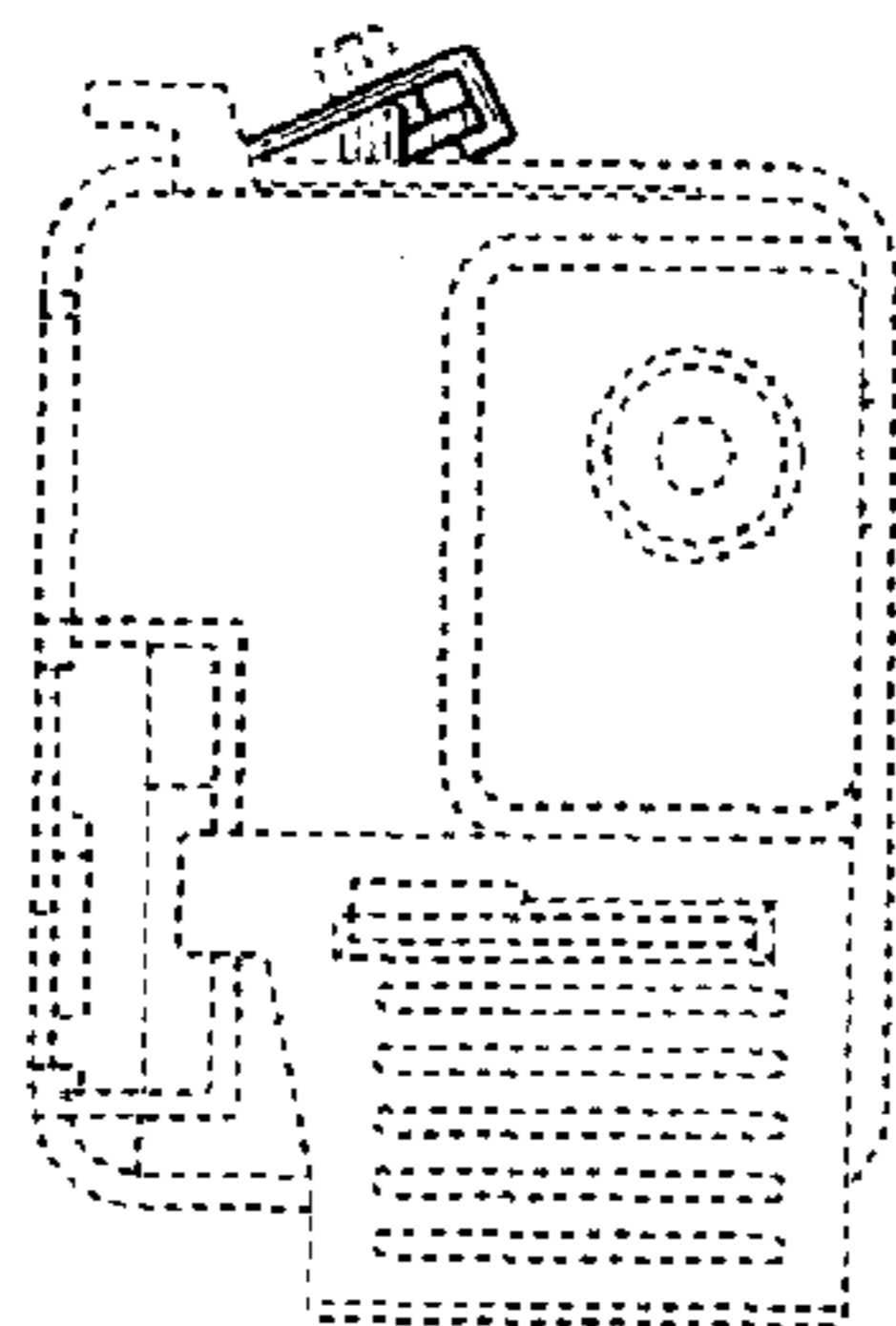


FIG.6

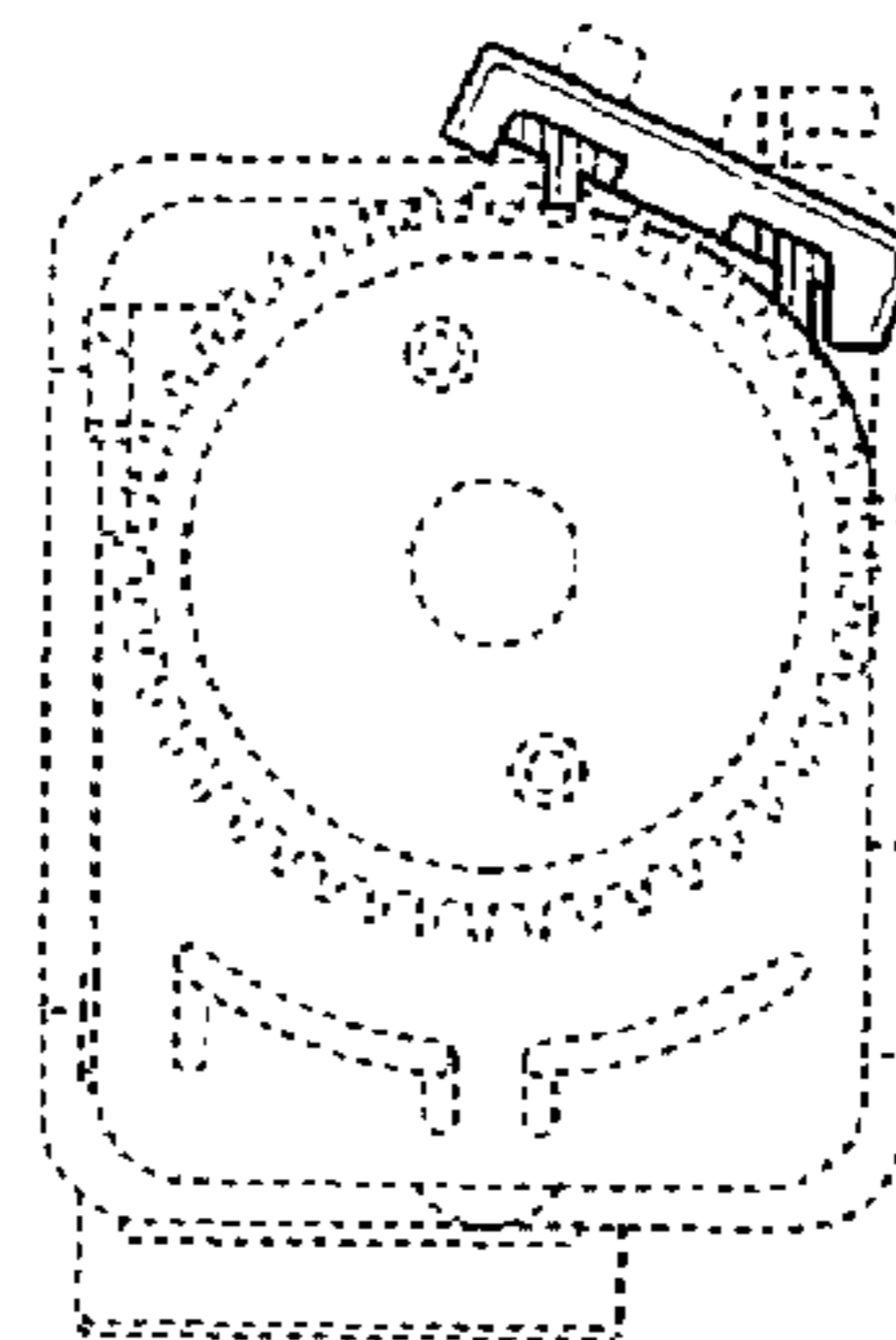


FIG.8

