



US00D574038S

(12) **United States Design Patent**
Sakabe

(10) **Patent No.:** **US D574,038 S**
(45) **Date of Patent:** **** Jul. 29, 2008**

(54) **TONER CARTRIDGE**

7,327,971 B2 * 2/2008 Oda 399/119

(75) Inventor: **Takeshi Sakabe**, Tokyo (JP)

(73) Assignee: **Konica Minolta Business Technologies, Inc.**, Chiyoda-Ku, Tokyo (JP)

(**) Term: **14 Years**

(21) Appl. No.: **29/274,818**

(22) Filed: **May 30, 2007**

(30) **Foreign Application Priority Data**

Nov. 30, 2006 (JP) 2006-033087
Nov. 30, 2006 (JP) 2006-033088

(51) **LOC (8) Cl.** **16-03**

(52) **U.S. Cl.** **D18/43**

(58) **Field of Classification Search** D14/471;
D18/12, 36, 40, 43, 44, 56; 222/DIG. 1;
347/197, 222; 399/24-28, 107-112, 119,
399/121, 122, 222-224

See application file for complete search history.

(56) **References Cited**

U.S. PATENT DOCUMENTS

D375,519 S * 11/1996 Tsumuki D18/43
D438,891 S * 3/2001 Hoshino et al. D18/40
D443,295 S * 6/2001 Kusanagi et al. D18/40
D451,127 S * 11/2001 Katou et al. D18/43
D463,817 S * 10/2002 Kunihiro et al. D18/40
D478,614 S * 8/2003 Numagami et al. D18/40
D522,565 S * 6/2006 Sanada et al. D18/43
D524,848 S * 7/2006 Murata D18/43
D524,850 S * 7/2006 Hashimoto et al. D18/43
D559,894 S * 1/2008 Sato D18/43
D559,895 S * 1/2008 Sato D18/43

OTHER PUBLICATIONS

Fuji Xerox Co., Ltd., "DocuCentre C7550 I / C6550 I / C5540 I", 4 colored pages May 21, 2007.

Fuji Xerox Co., Ltd., "ApeosPort 750 I / 650 I / 550 I", 4 colored pages May 21, 2007.

Fuji Xerox Co., Ltd., Toner Cartridge B "Epeos Port 550 / 650 / 750 C5540 / C6550 series". "DocuCentre 550 / 650 / 750 / C5540 / C6550 series". 5 colored pages Jan. 24, 2007.

* cited by examiner

Primary Examiner—Caron D. Veynar

Assistant Examiner—Garth Rademaker

(74) *Attorney, Agent, or Firm*—Buchanan Ingersoll & Rooney PC

(57) **CLAIM**

The ornamental design for a toner cartridge, as shown and described.

DESCRIPTION

FIG. 1 is a top, front, right side perspective view of a toner cartridge showing my new design

FIG. 2 is a top, rear, left side perspective view thereof;

FIG. 3 is a bottom, rear, left side perspective view thereof;

FIG. 4 is a bottom, front, right side perspective view thereof;

FIG. 5 is a front elevation view thereof;

FIG. 6 is a rear elevation view thereof;

FIG. 7 is a left side elevation view thereof;

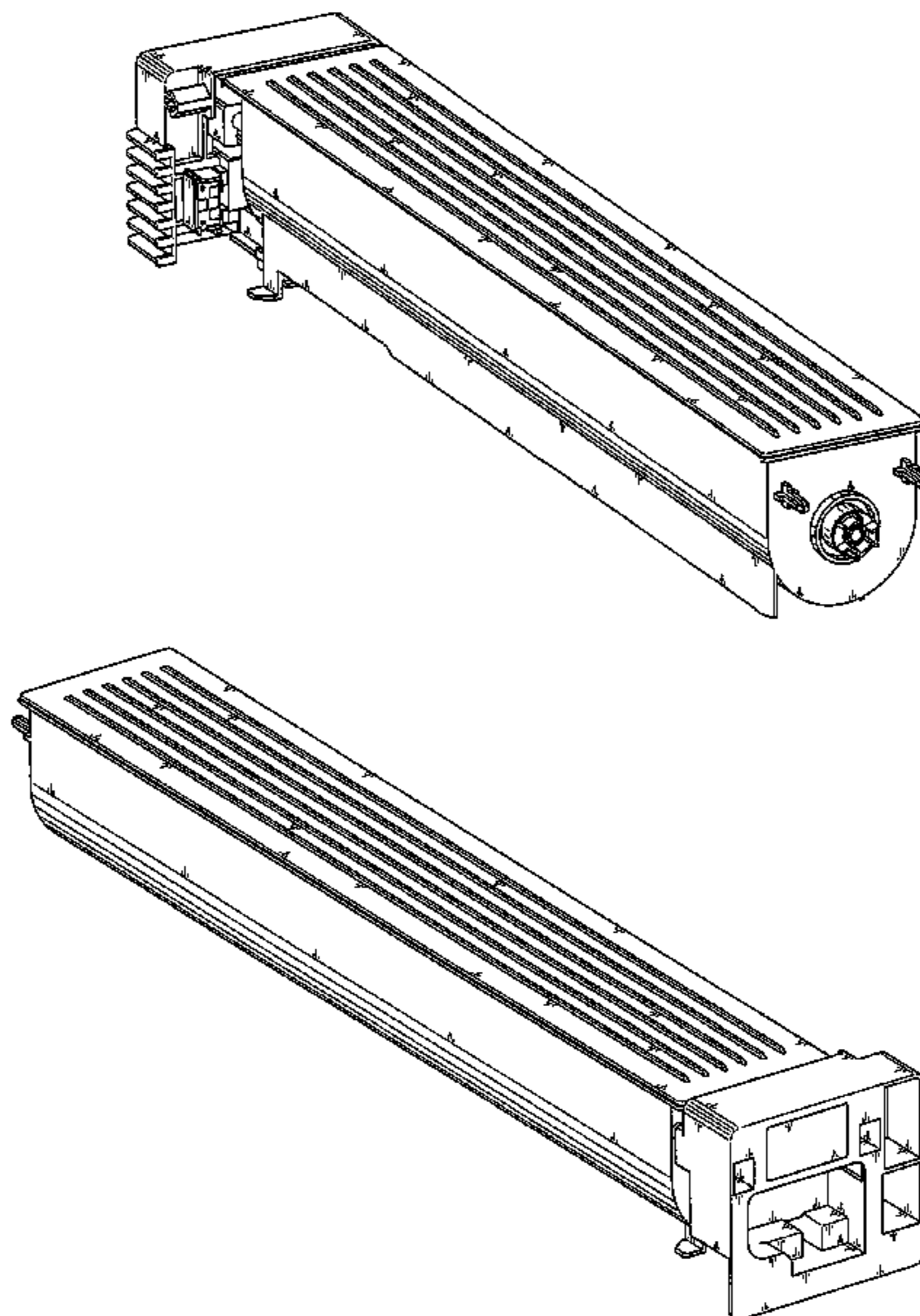
FIG. 8 is a right side elevation view thereof;

FIG. 9 is a top plan view thereof; and,

FIG. 10 is a bottom plan view thereof.

The broken lines depict environmental subject matter only and form no part of the claimed design.

1 Claim, 7 Drawing Sheets



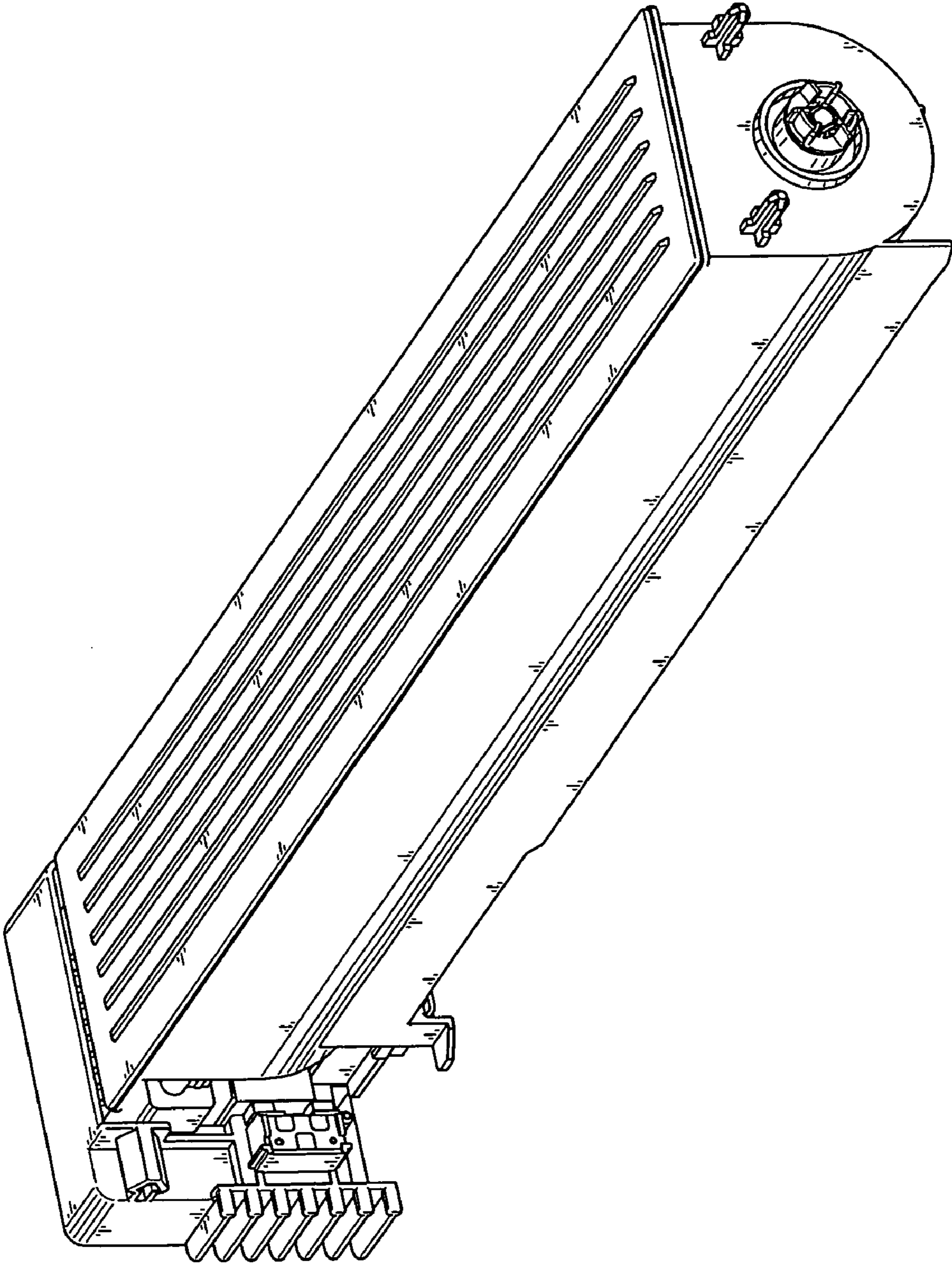


Fig. 1

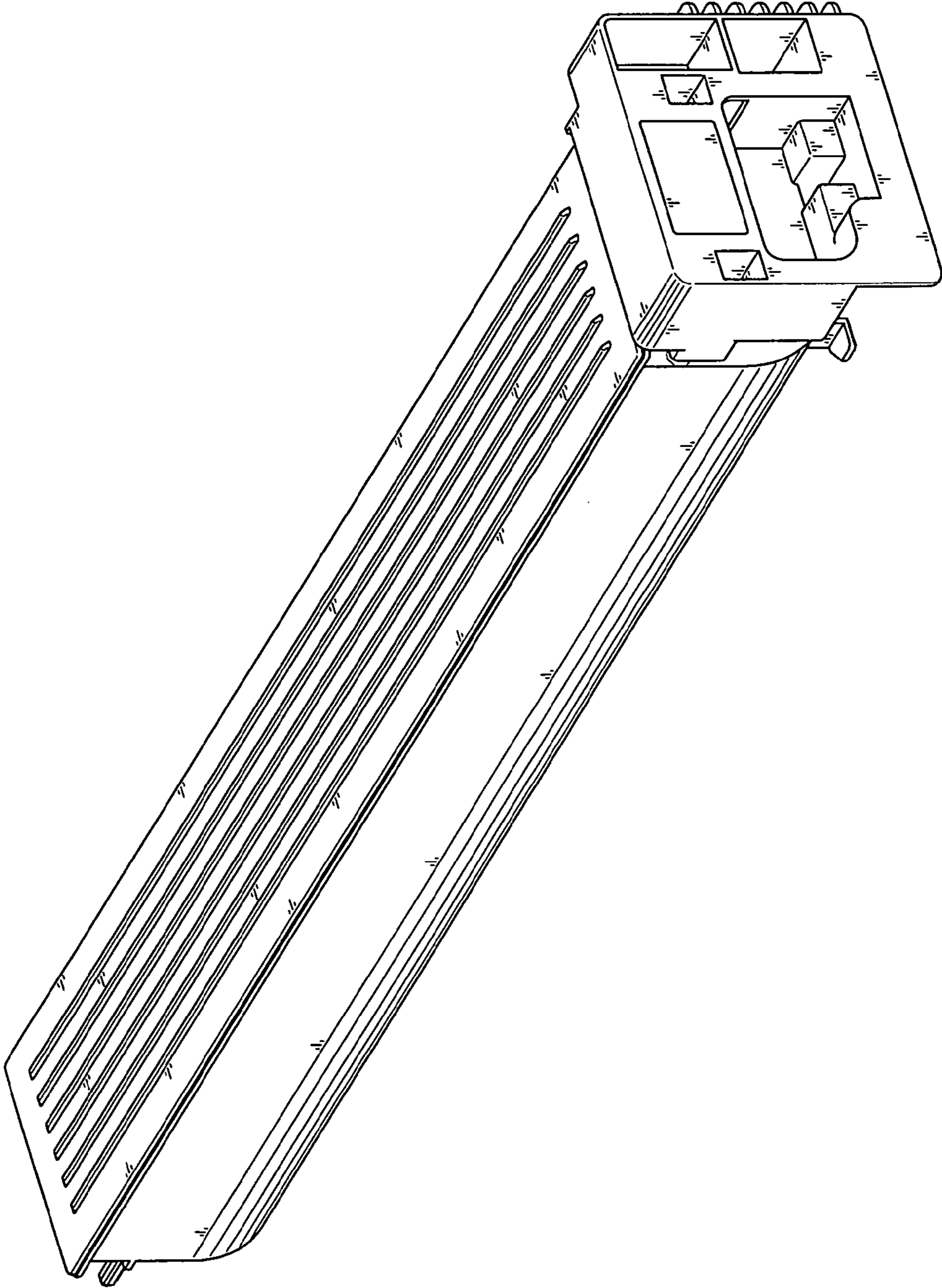


Fig. 2

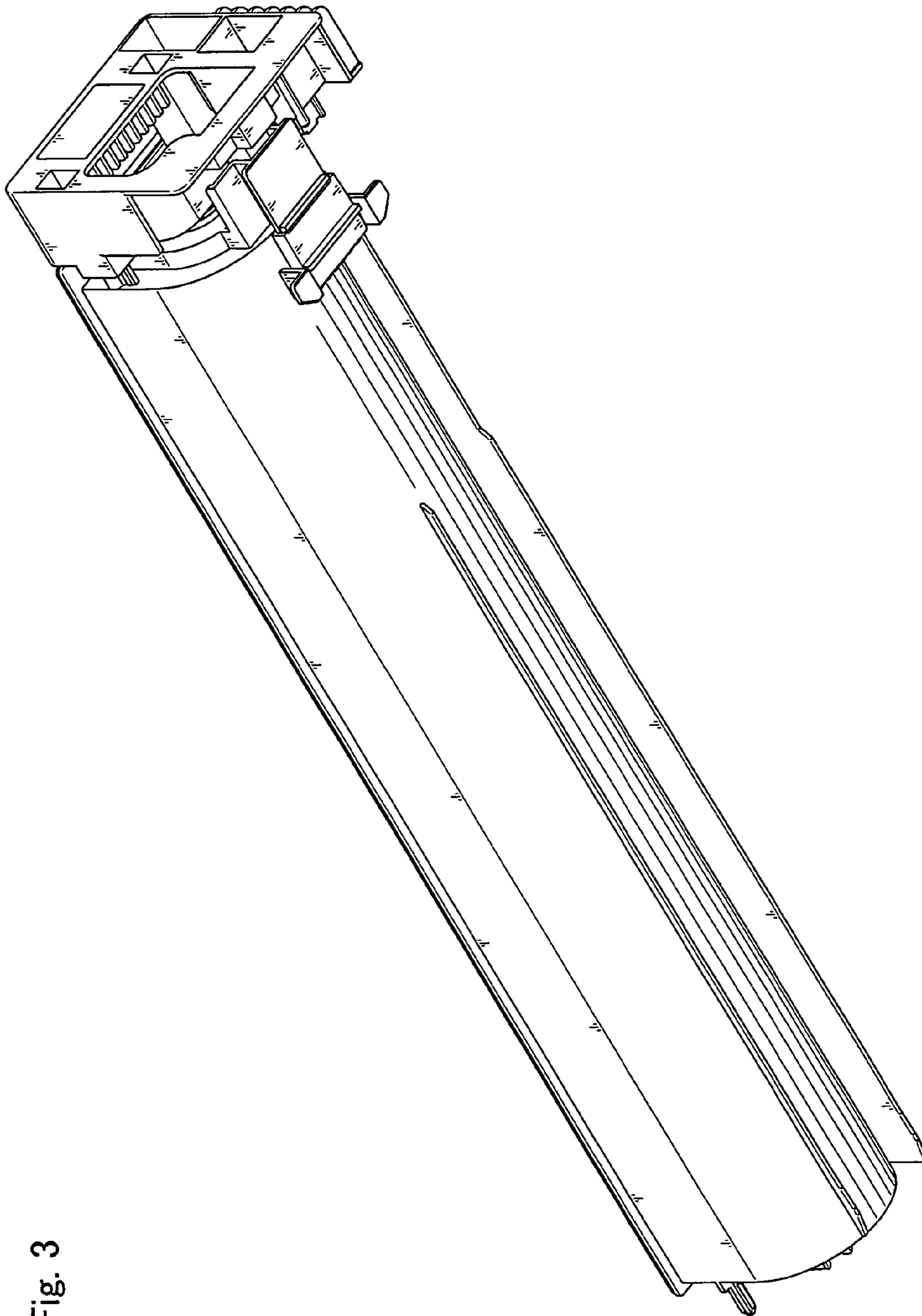


Fig. 3

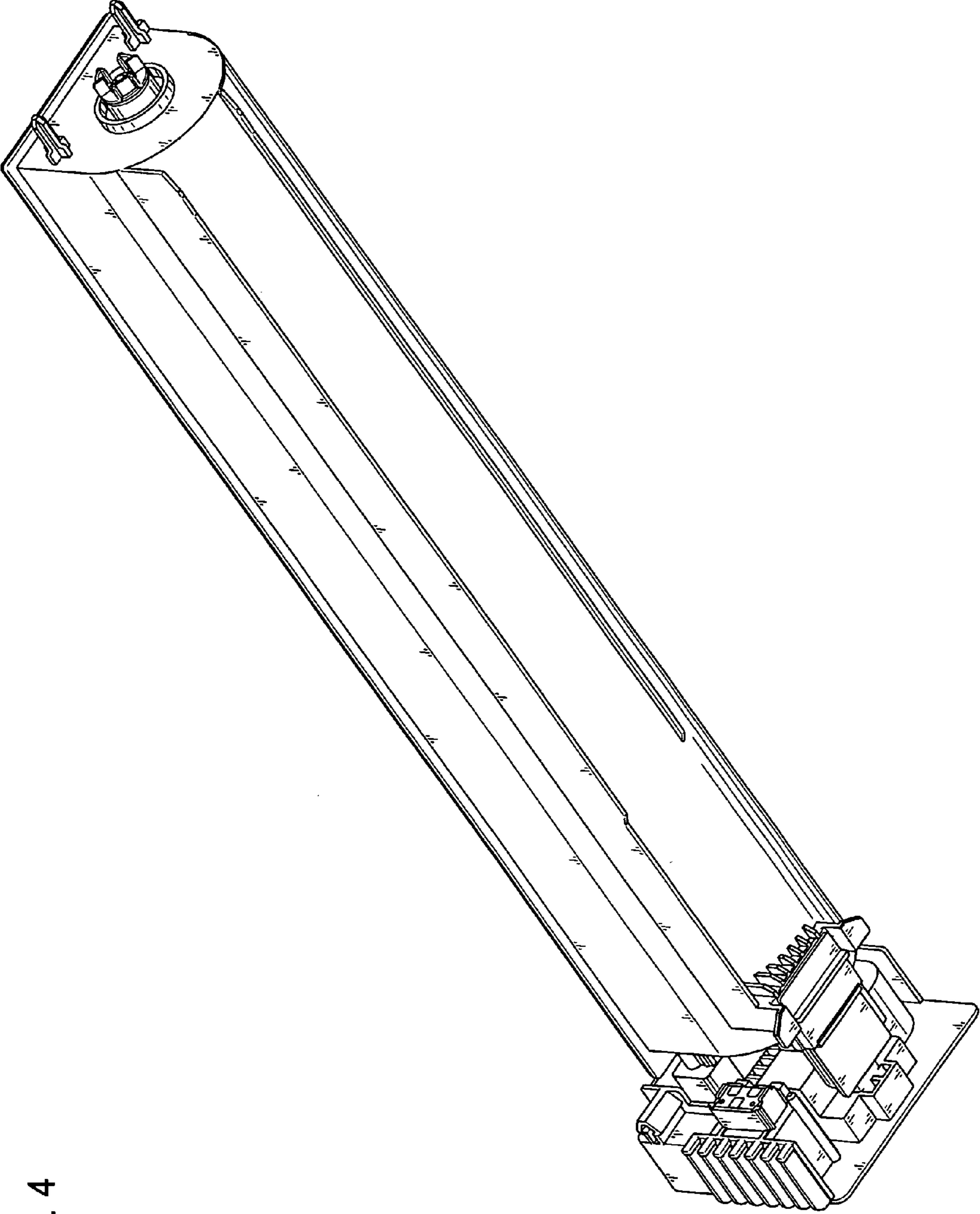


Fig. 4

Fig. 5

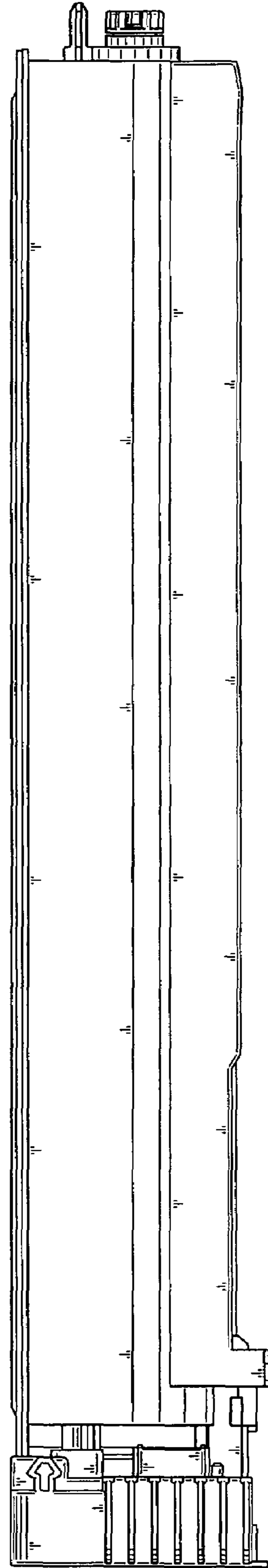


Fig. 6

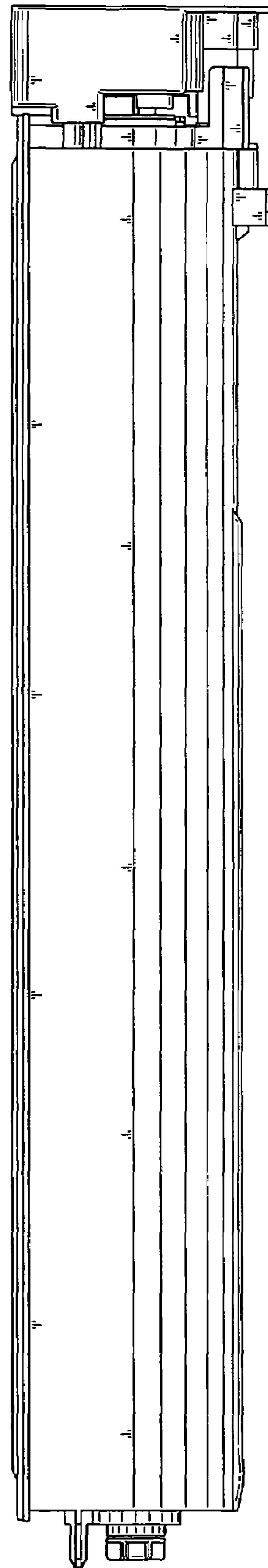


Fig. 8

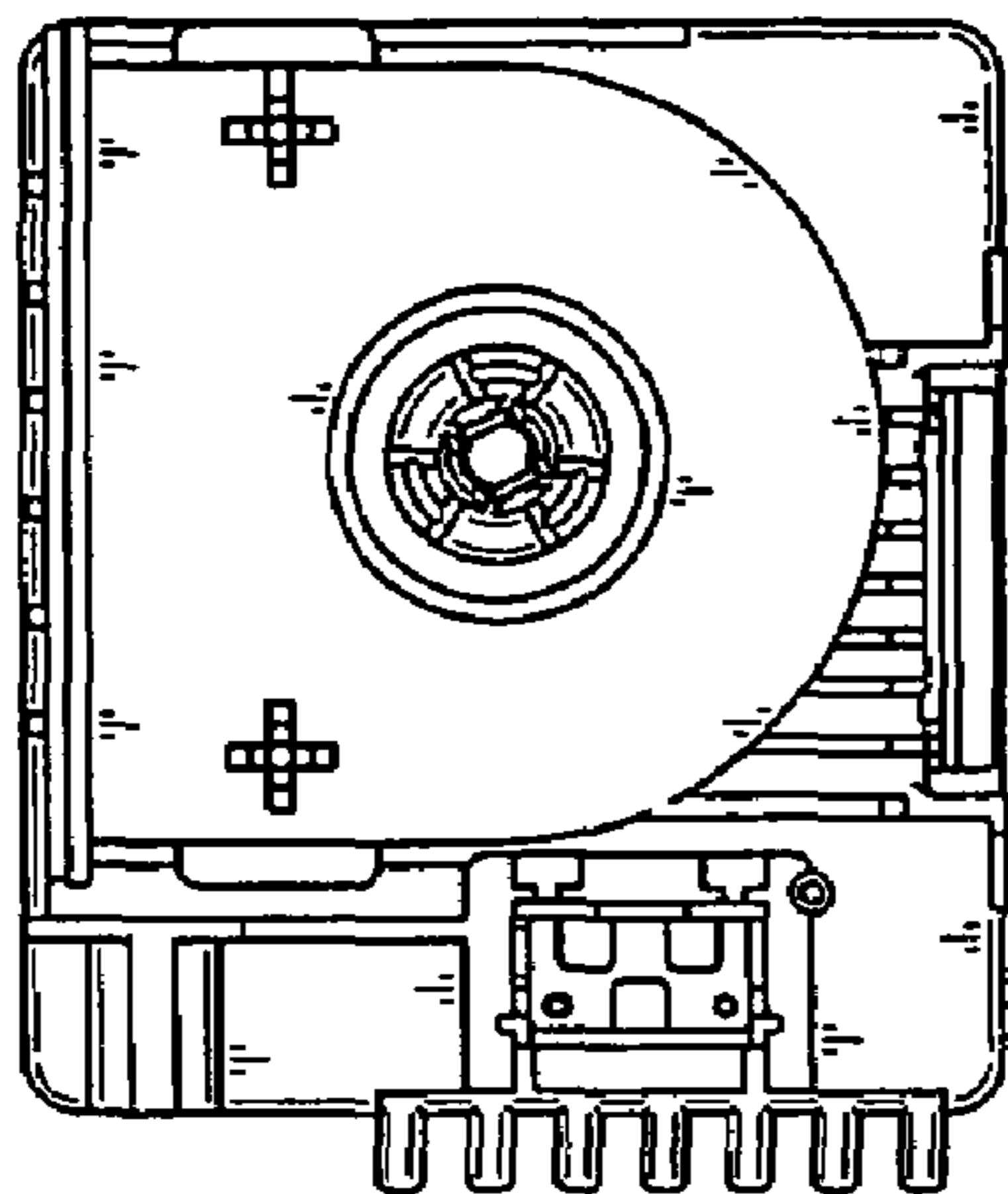


Fig. 7

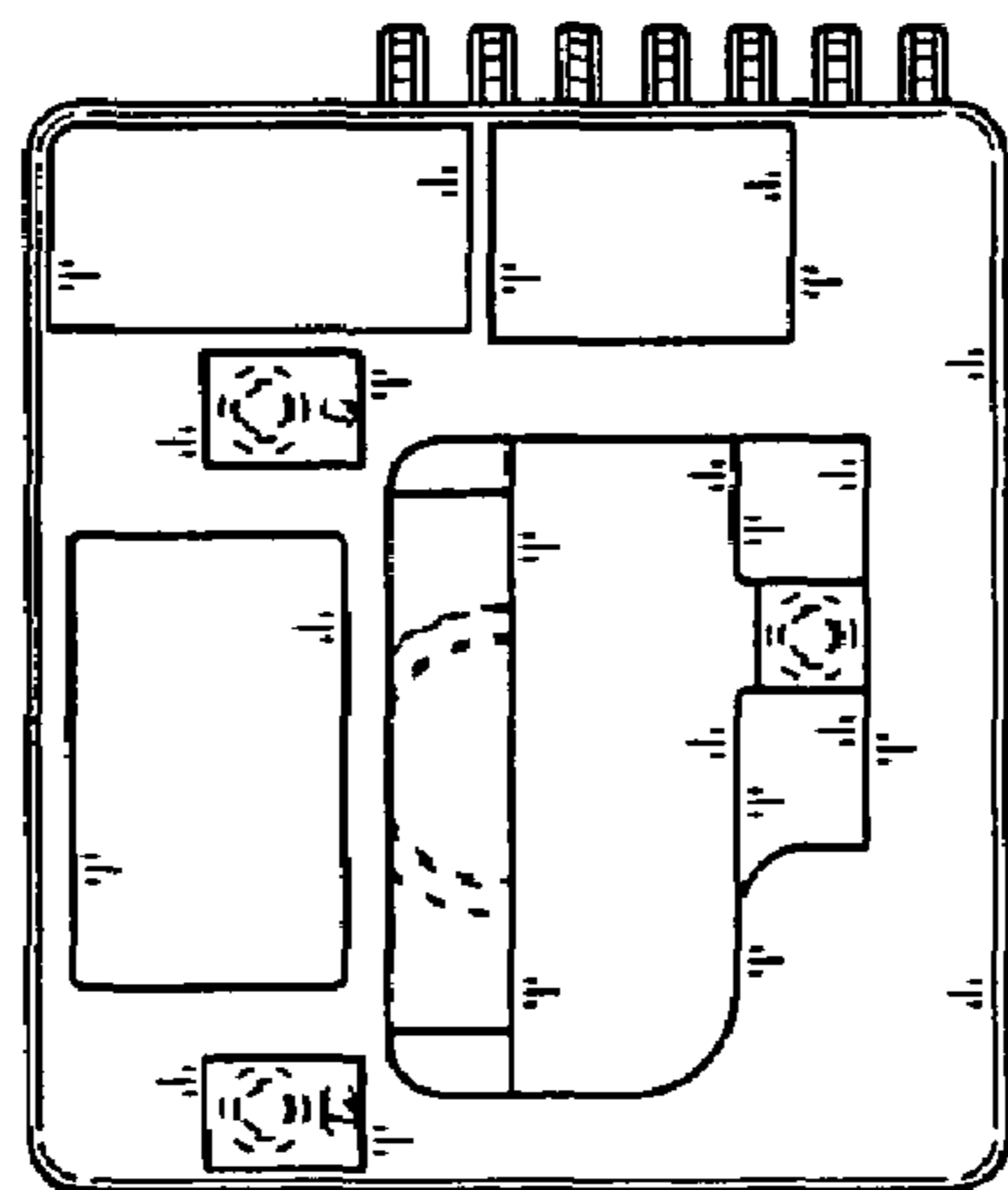


Fig. 9

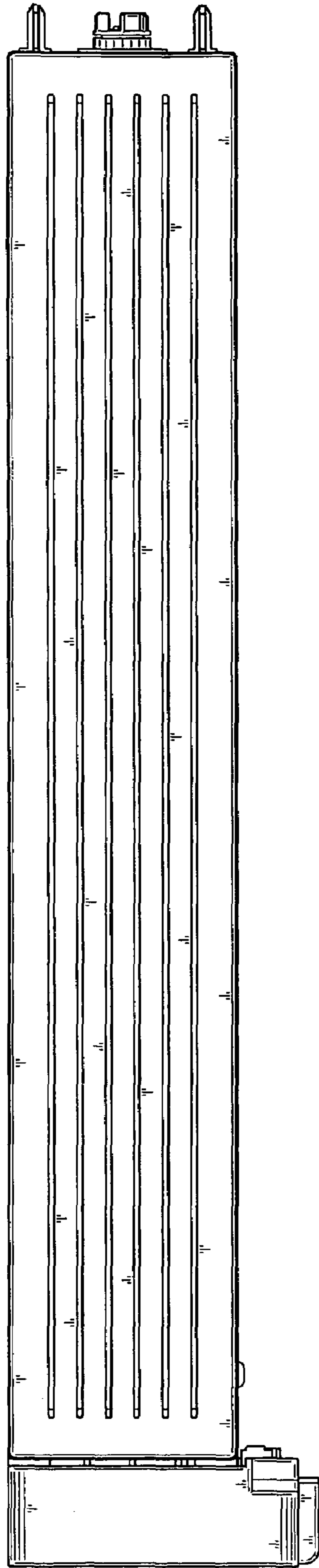


Fig. 10

