



US00D574037S

(12) **United States Design Patent**  
**LeGrady et al.**

(10) **Patent No.:** **US D574,037 S**  
(45) **Date of Patent:** **\*\* Jul. 29, 2008**

(54) **GUITAR PRACTICE DEVICE**

(76) Inventors: **Mathew S. LeGrady**, 73 Rowe Ave.,  
Lynbrook, NY (US) 11563; **Kristi**  
**Ingrid Kobloth**, 73 Rowe Ave.,  
Lynbrook, NY (US) 11563

(\*\*) Term: **14 Years**

(21) Appl. No.: **29/283,554**

(22) Filed: **Aug. 16, 2007**

(51) **LOC (8) Cl.** ..... **17-03**

(52) **U.S. Cl.** ..... **D17/20**

(58) **Field of Classification Search** ..... D17/14,  
D17/17, 18, 19, 20, 99; 84/7, 9, 173, 267,  
84/274, 275, 284, 285, 290–293, 297, 314 R,  
84/315, 453, 470 R; D19/56

See application file for complete search history.

(56) **References Cited**

**U.S. PATENT DOCUMENTS**

3,610,085	A *	10/1971	Wilson	.....	84/402
D244,103	S *	4/1977	Greer	.....	D19/62
4,065,995	A	1/1978	Greer		
4,364,298	A	12/1982	Piazza		
D269,440	S *	6/1983	Fender	.....	D17/21
4,462,295	A *	7/1984	Hundley	.....	84/743
4,471,682	A *	9/1984	Bozung	.....	84/319
D284,203	S	6/1986	Landau		
D305,808	S *	1/1990	Eisenbraun et al.	.....	D28/64.1
5,756,914	A	5/1998	Streibel		
5,811,704	A	9/1998	Anderko		

D403,012	S	12/1998	Anderko		
6,127,615	A	10/2000	Rosenberg		
D499,252	S *	12/2004	Lord et al.	.....	D3/221
7,064,260	B2	6/2006	Willard		
7,157,633	B1 *	1/2007	Kopesec	.....	84/293
7,230,175	B2 *	6/2007	Whiteside	.....	84/465
7,304,224	B1 *	12/2007	Bettis et al.	.....	84/293
2005/0039592	A1 *	2/2005	Willard	.....	84/465

**FOREIGN PATENT DOCUMENTS**

JP 08305273 A \* 11/1996

\* cited by examiner

*Primary Examiner*—Ian Simmons

*Assistant Examiner*—Rashida Johnson

(74) *Attorney, Agent, or Firm*—Plager Law Offices

(57) **CLAIM**

The ornamental design for a guitar practice device, as shown and described.

**DESCRIPTION**

FIG. 1 is a perspective view of a guitar practice device showing our new design;

FIG. 2 is a front elevational view thereof;

FIG. 3 is a rear elevational view thereof;

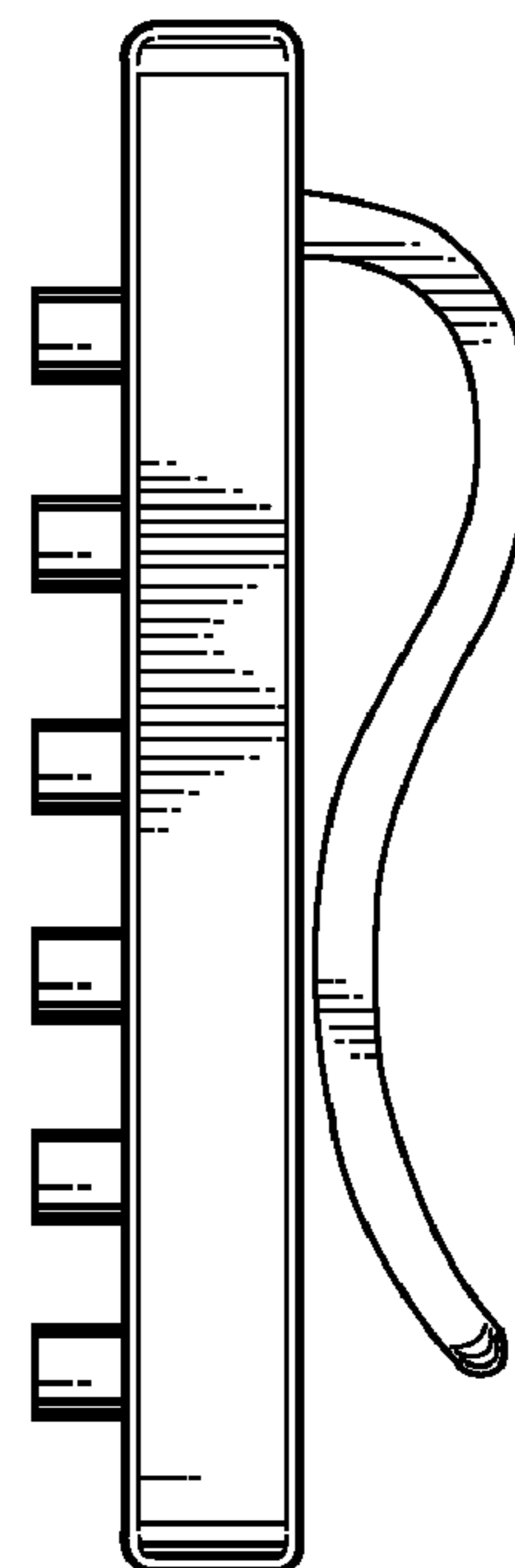
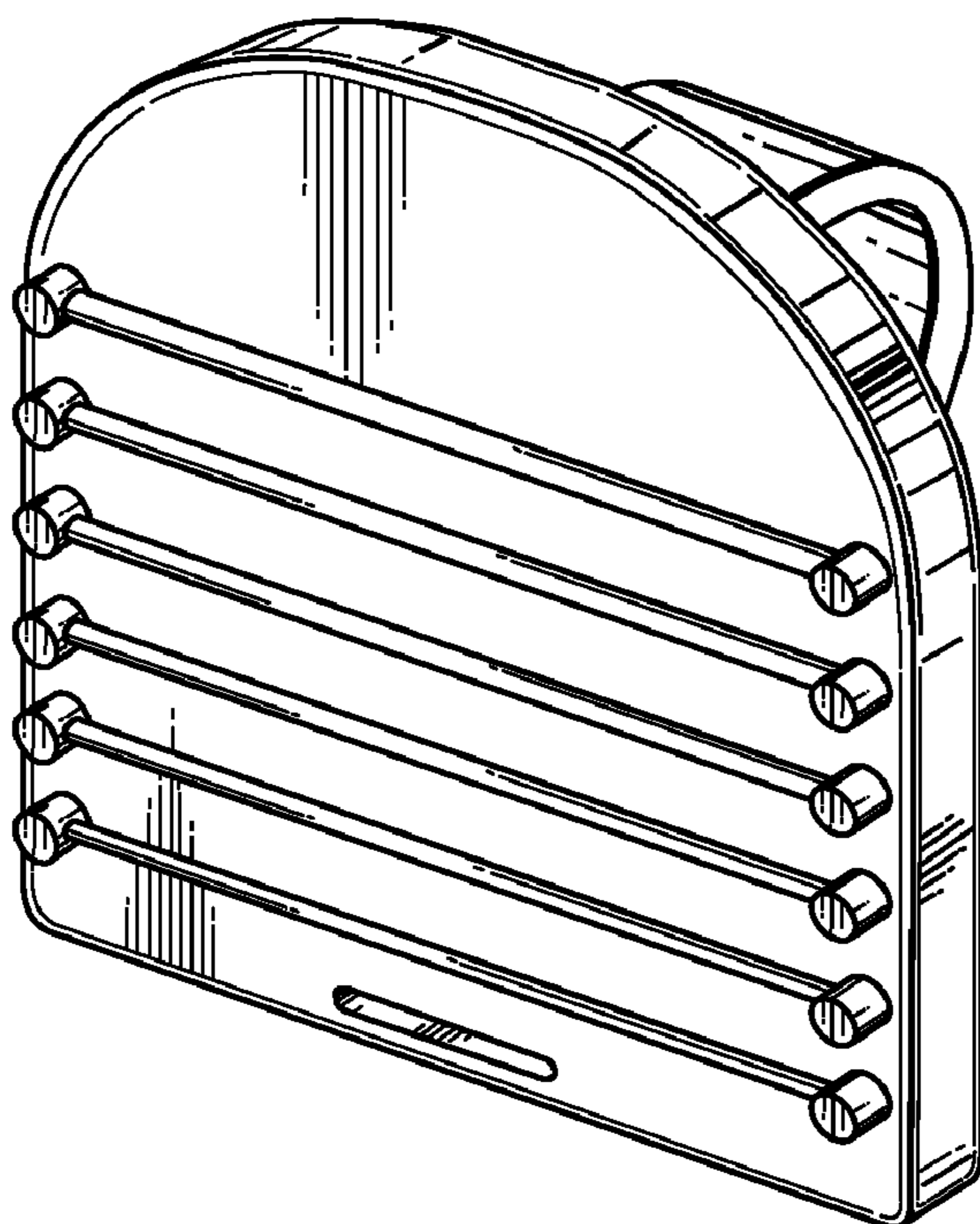
FIG. 4 is a right side elevational view thereof;

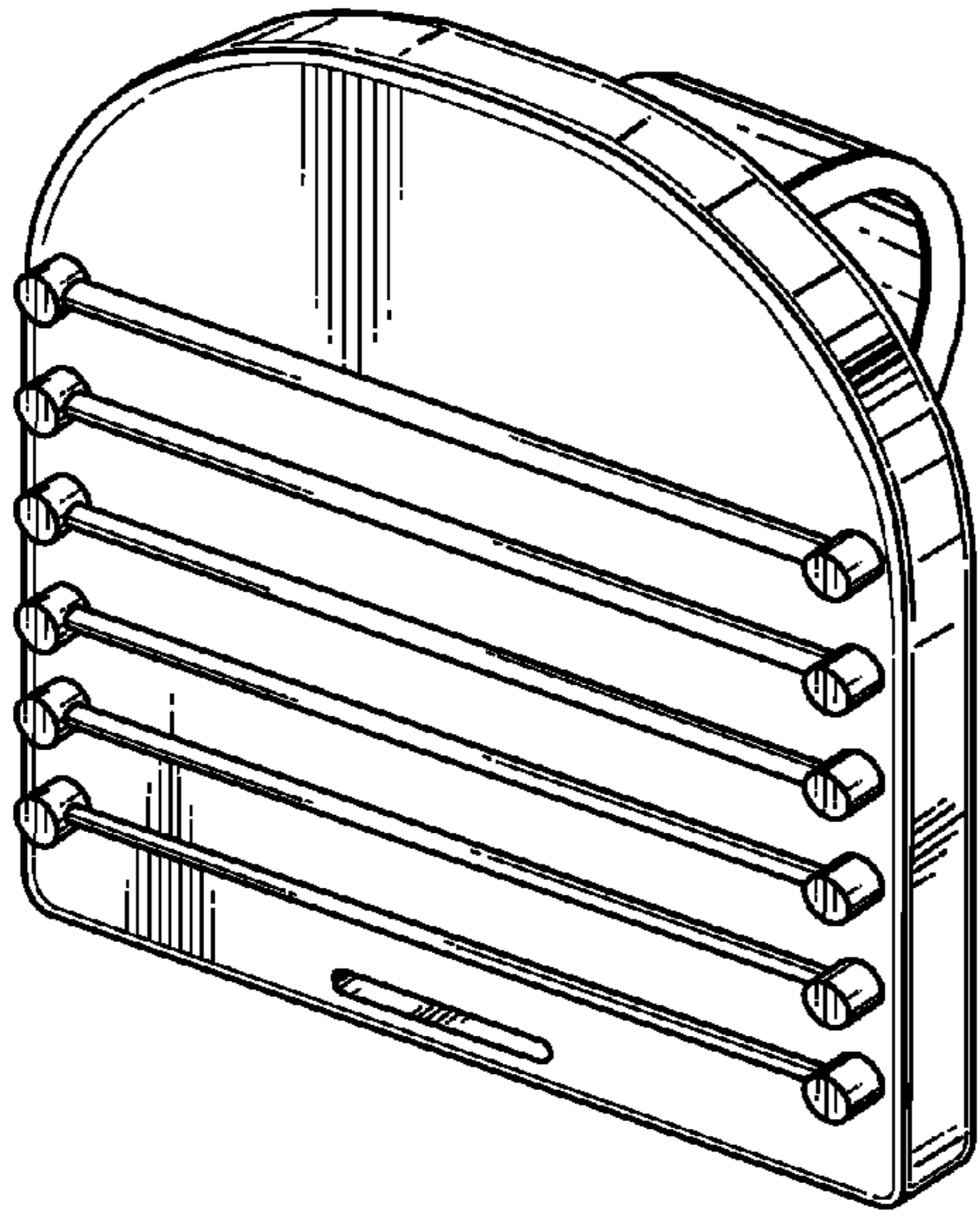
FIG. 5 is a left side elevational view thereof;

FIG. 6 is a top plan view thereof; and,

FIG. 7 is a bottom plan view thereof.

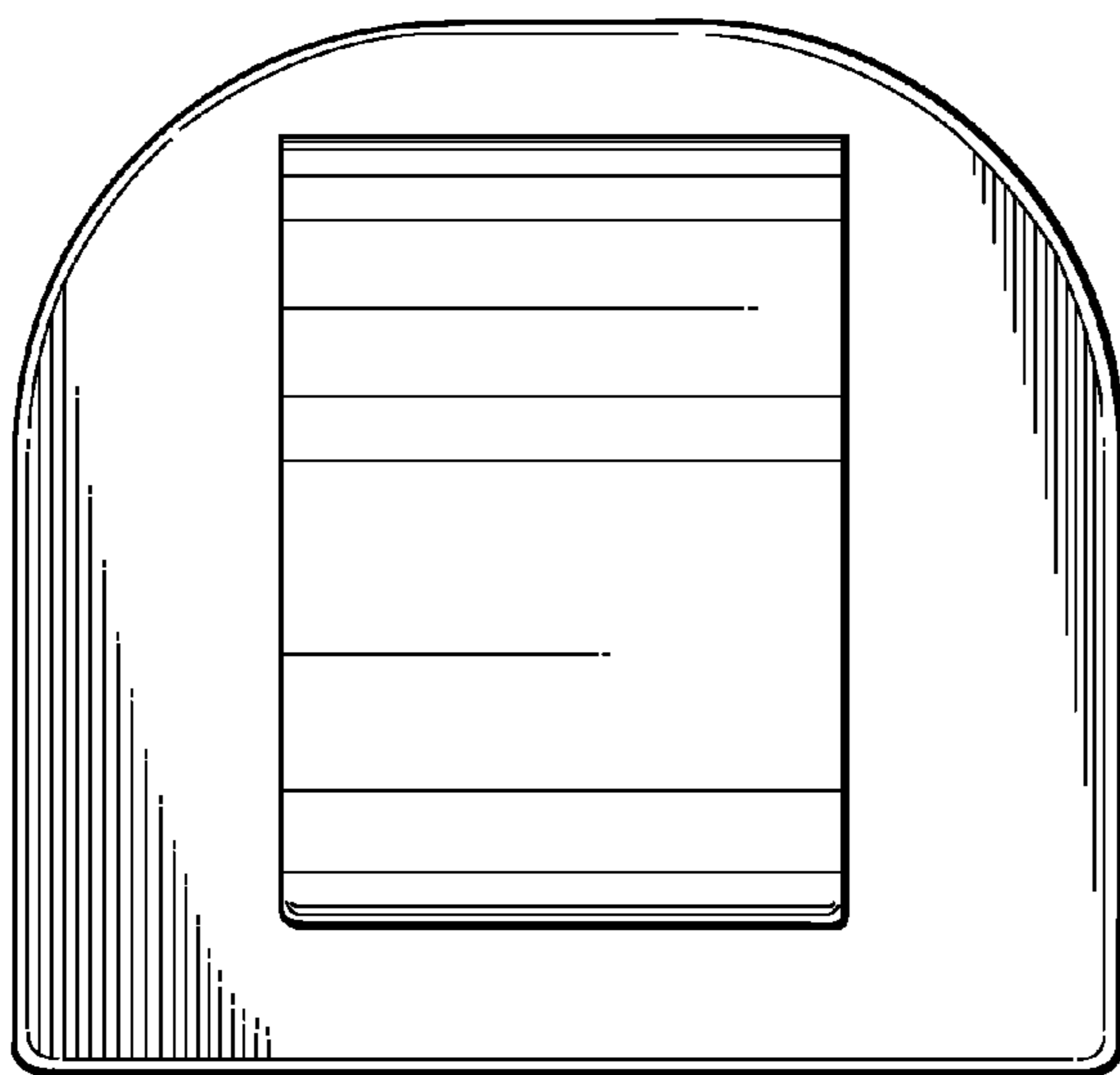
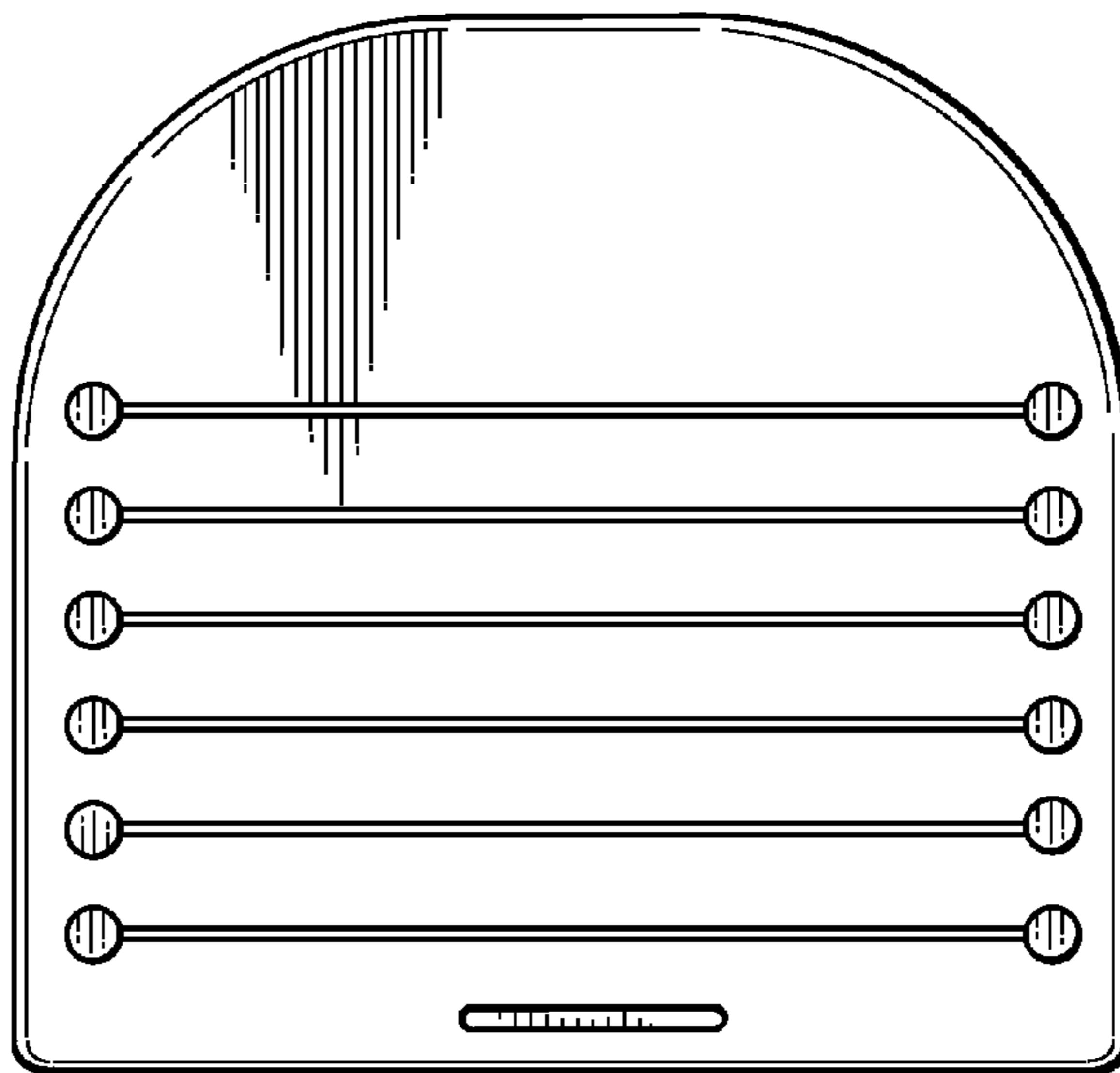
**1 Claim, 2 Drawing Sheets**



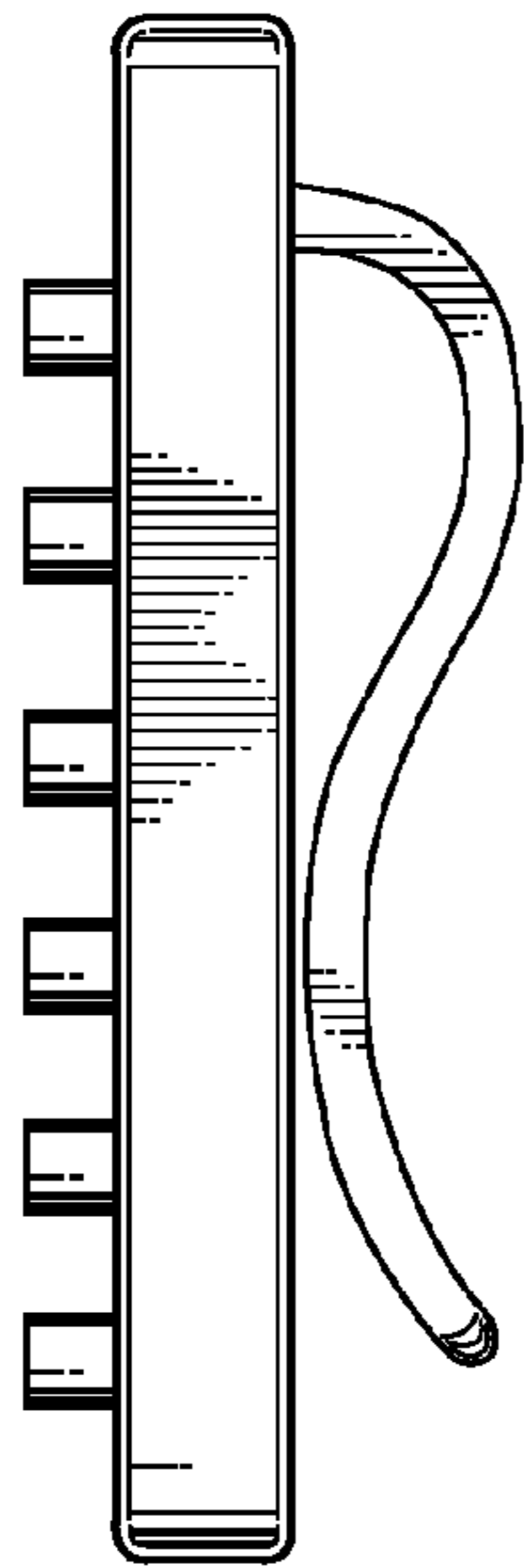


*Fig. 1*

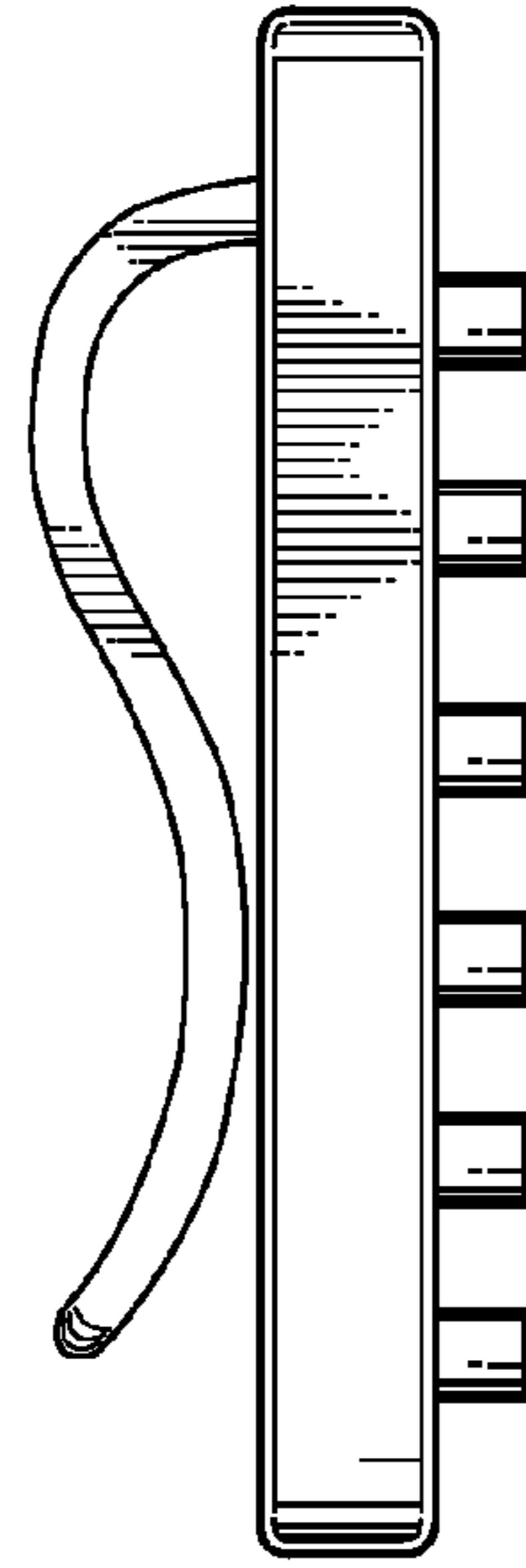
*Fig. 2*



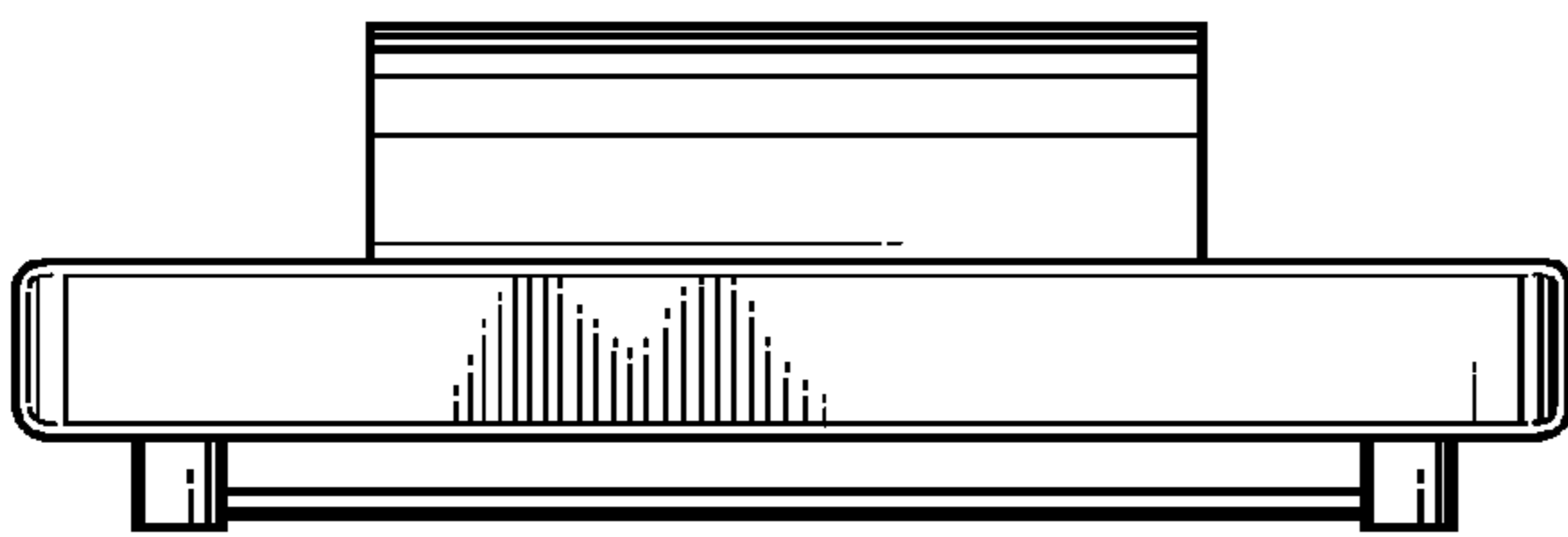
*Fig. 3*



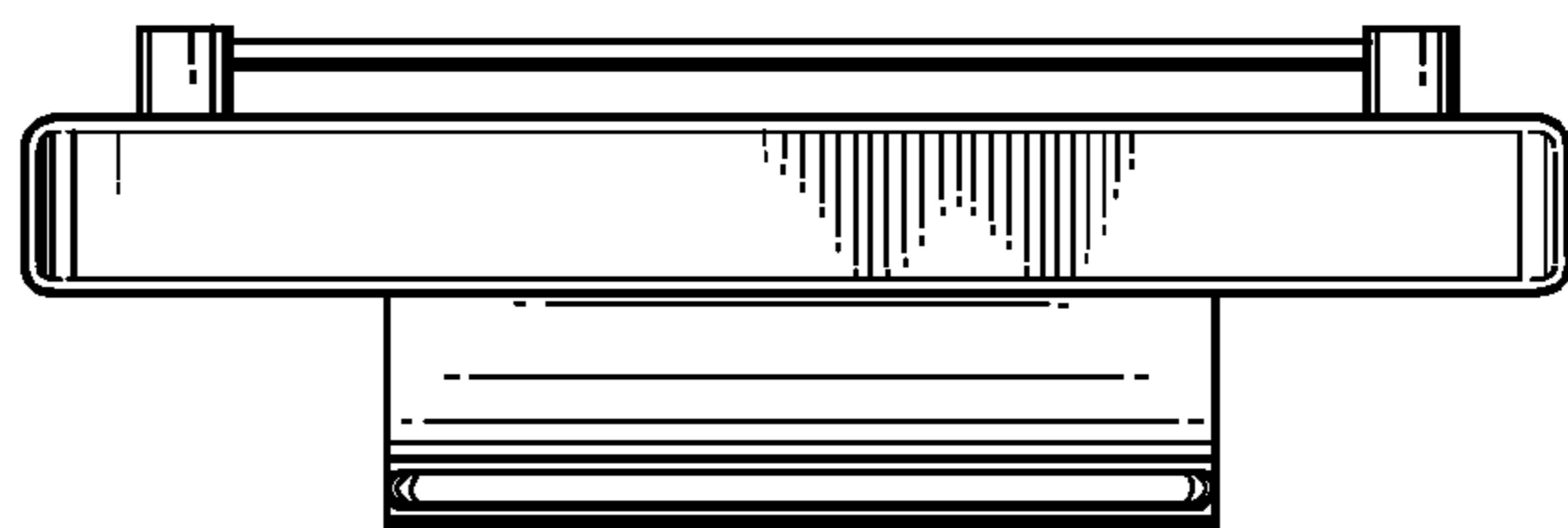
*Fig. 4*



*Fig. 5*



*Fig. 6*



*Fig. 7*