



US00D574031S

(12) **United States Design Patent**
Funakoshi et al.

(10) **Patent No.:** **US D574,031 S**
(45) **Date of Patent:** **** Jul. 29, 2008**

(54) **SINGLE-LENS REFLEX DIGITAL CAMERA BODY**

D493,809 S * 8/2004 Ogura D16/202
D542,321 S * 5/2007 Takahashi D16/217

(75) Inventors: **Yasuo Funakoshi**, Hachioji (JP); **Jun Takahashi**, Hachioji (JP)

* cited by examiner

(73) Assignee: **Olympus Imaging Corp.**, Tokyo (JP)

Primary Examiner—Adir Aronovich
(74) *Attorney, Agent, or Firm*—Straub and Pokotylo; John C. Pokotylo

(**) Term: **14 Years**

(21) Appl. No.: **29/298,666**

(57) **CLAIM**

(22) Filed: **Dec. 10, 2007**

We claim the ornamental design for a single-lens reflex digital camera body, as shown and described.

Related U.S. Application Data

(62) Division of application No. 29/264,755, filed on Aug. 17, 2006, now Pat. No. Des. 561,806.

DESCRIPTION

(30) **Foreign Application Priority Data**

Aug. 11, 2006 (JP) 2006-21628
Aug. 11, 2006 (JP) 2006-21629

FIG. 1 is a front, top and right side perspective view of a single-lens reflex digital camera body showing our new design;

FIG. 2 is a front elevational view thereof;

FIG. 3 is a rear elevational view thereof;

FIG. 4 is a top plan view thereof;

FIG. 5 is a bottom plan view thereof;

FIG. 6 is a right side elevational view thereof; and,

FIG. 7 is a left side elevational view thereof.

(51) **LOC (8) Cl.** **16-05**

(52) **U.S. Cl.** **D16/219; D16/217**

(58) **Field of Classification Search** D16/200–206, D16/208, 216, 217, 218, 219; 348/373–376; 358/909.1; 396/354–359, 535–541

See application file for complete search history.

The portions of the camera body in broken lines are shown for illustrative purposes only and form no part of the claimed design.

(56) **References Cited**

U.S. PATENT DOCUMENTS

4,338,009 A * 7/1982 Lee 396/358
6,394,667 B2 * 5/2002 Murashima 396/354

1 Claim, 4 Drawing Sheets

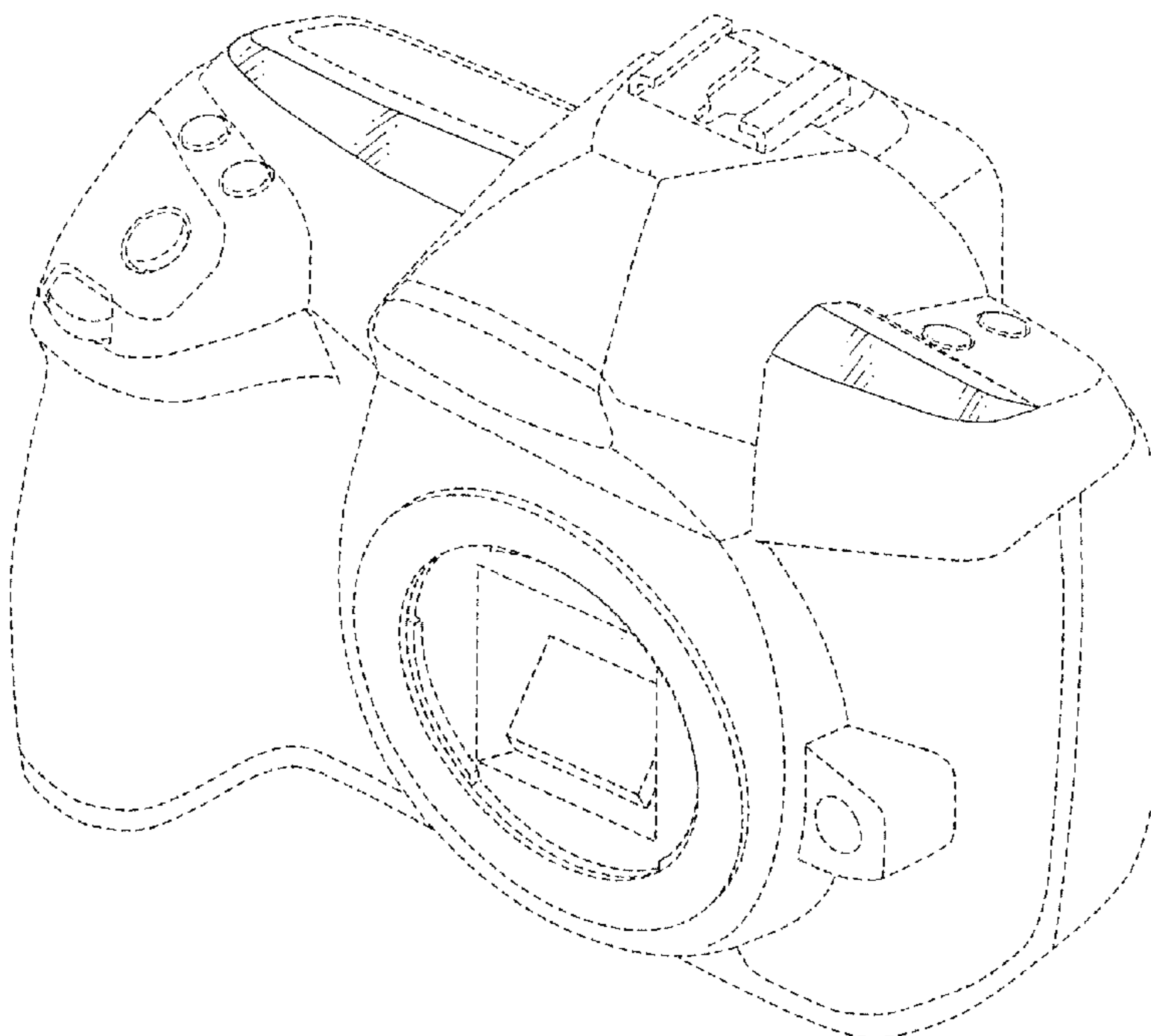


FIG. 1

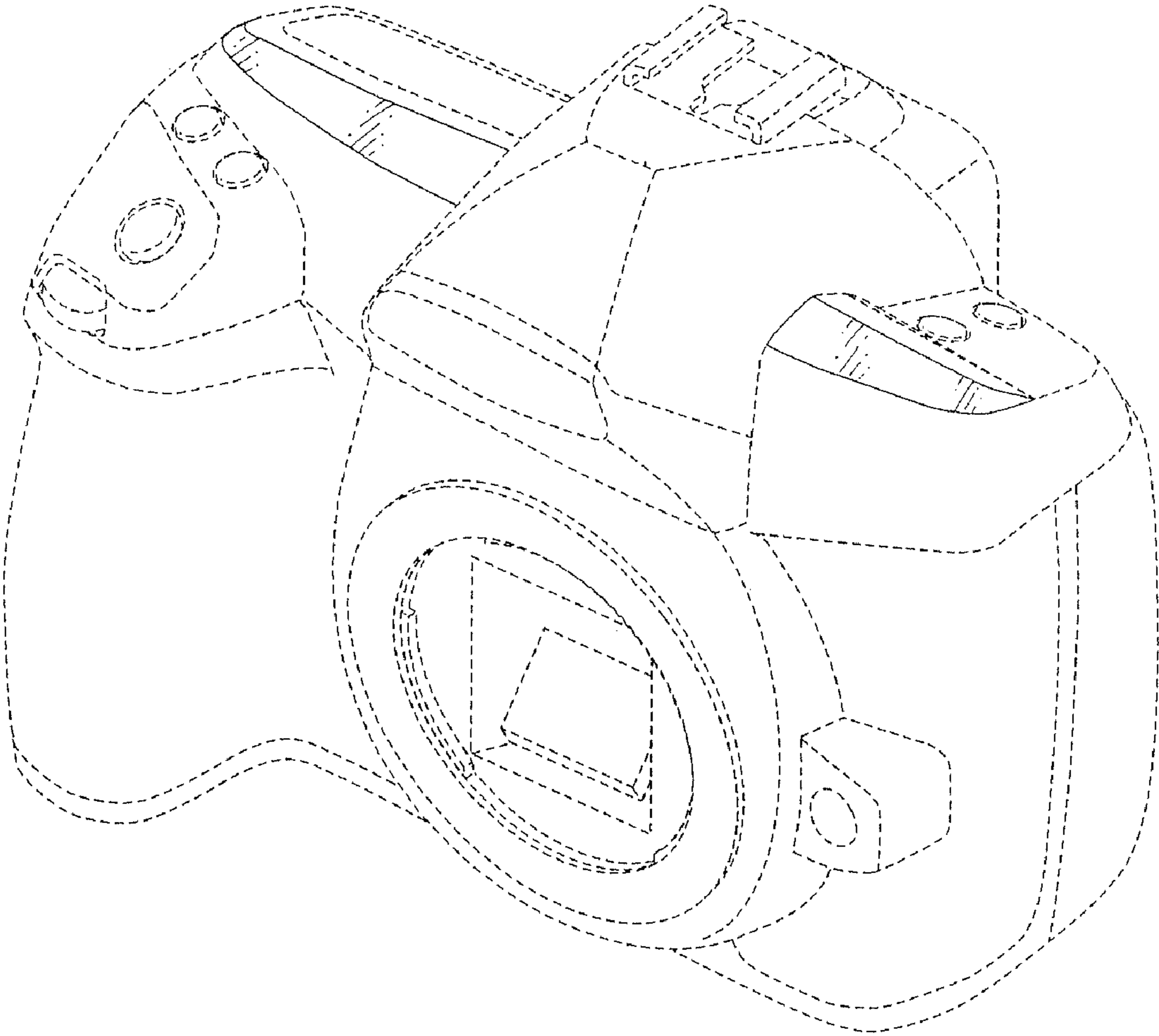


FIG. 2

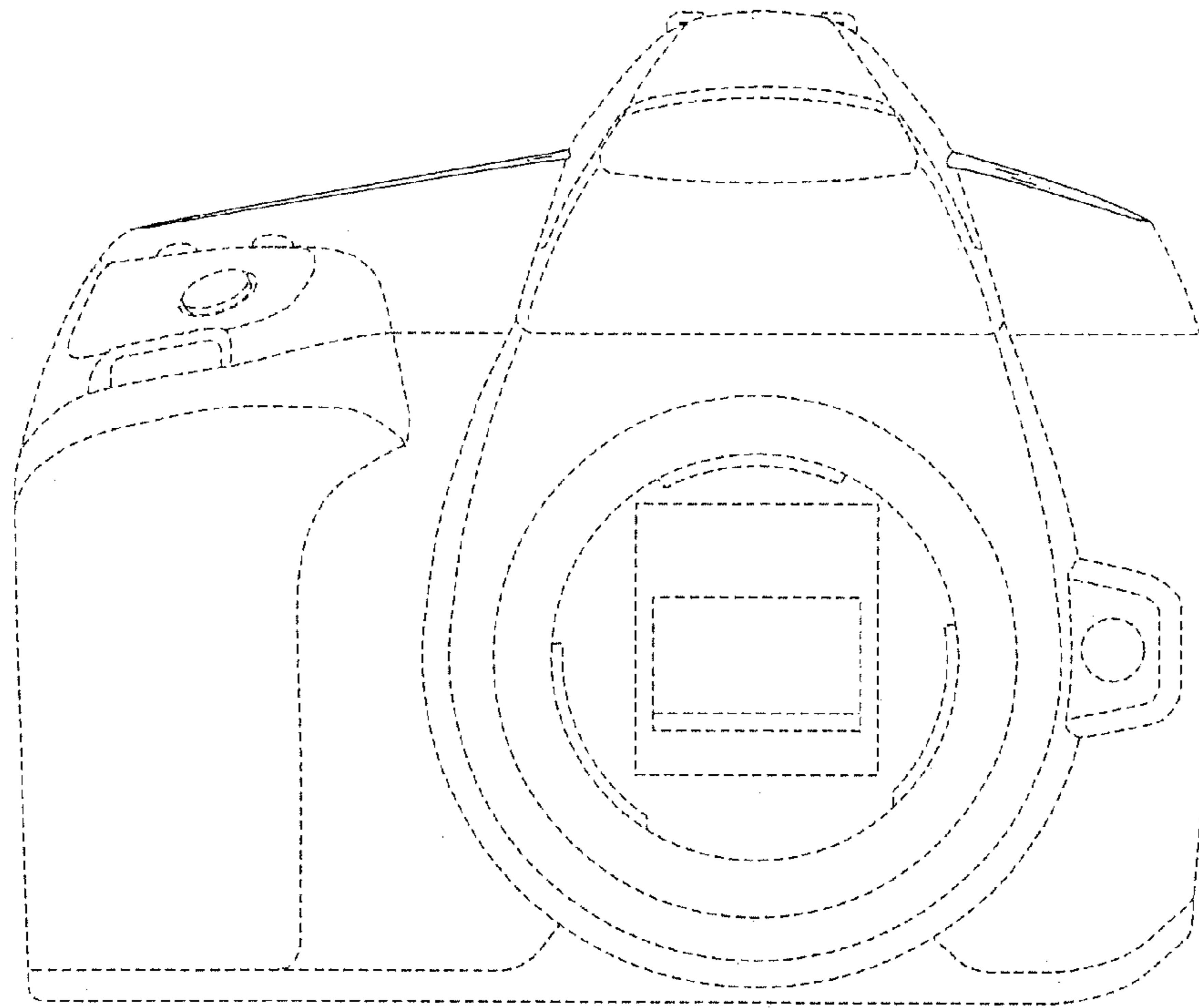


FIG. 3

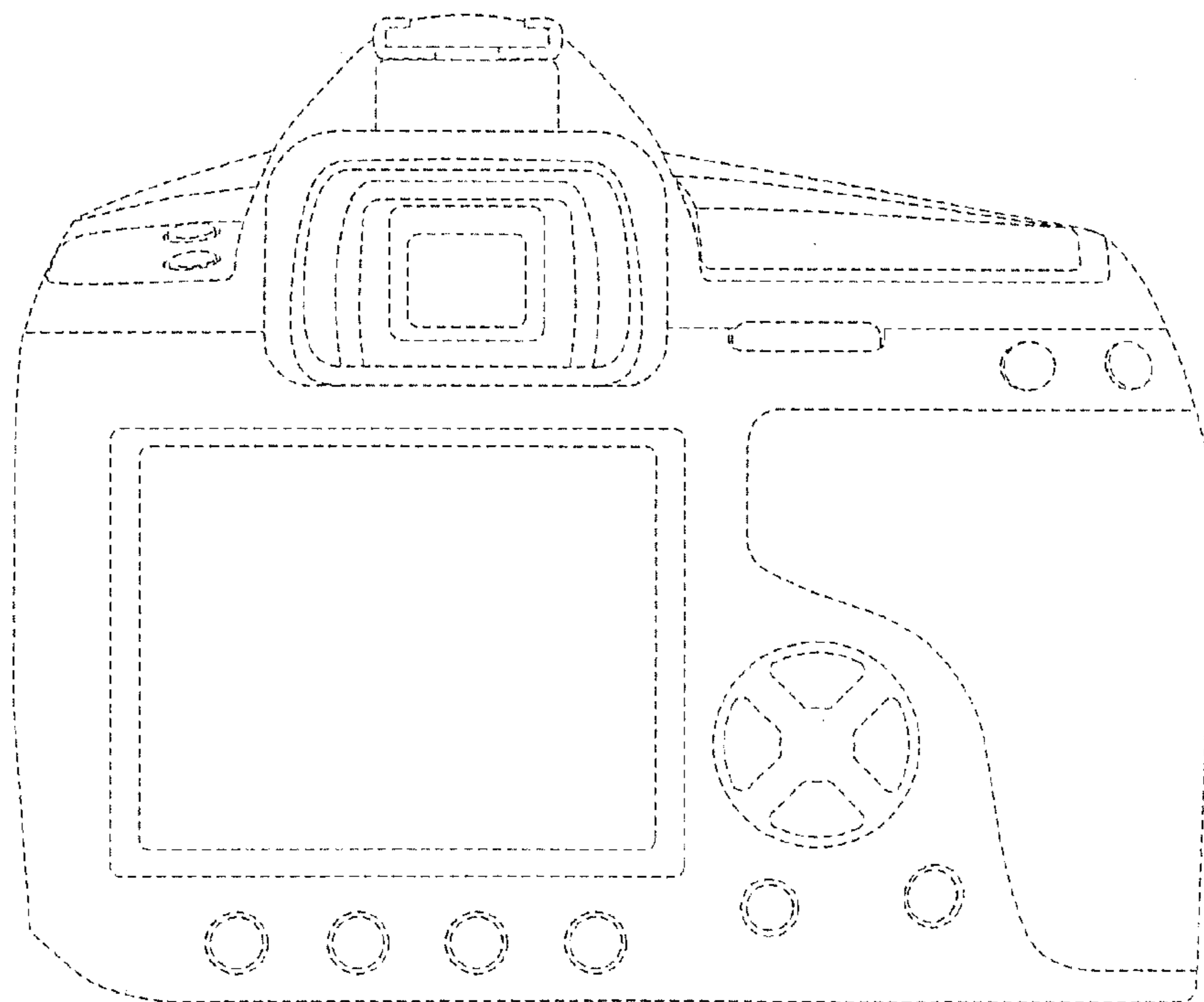


FIG. 4

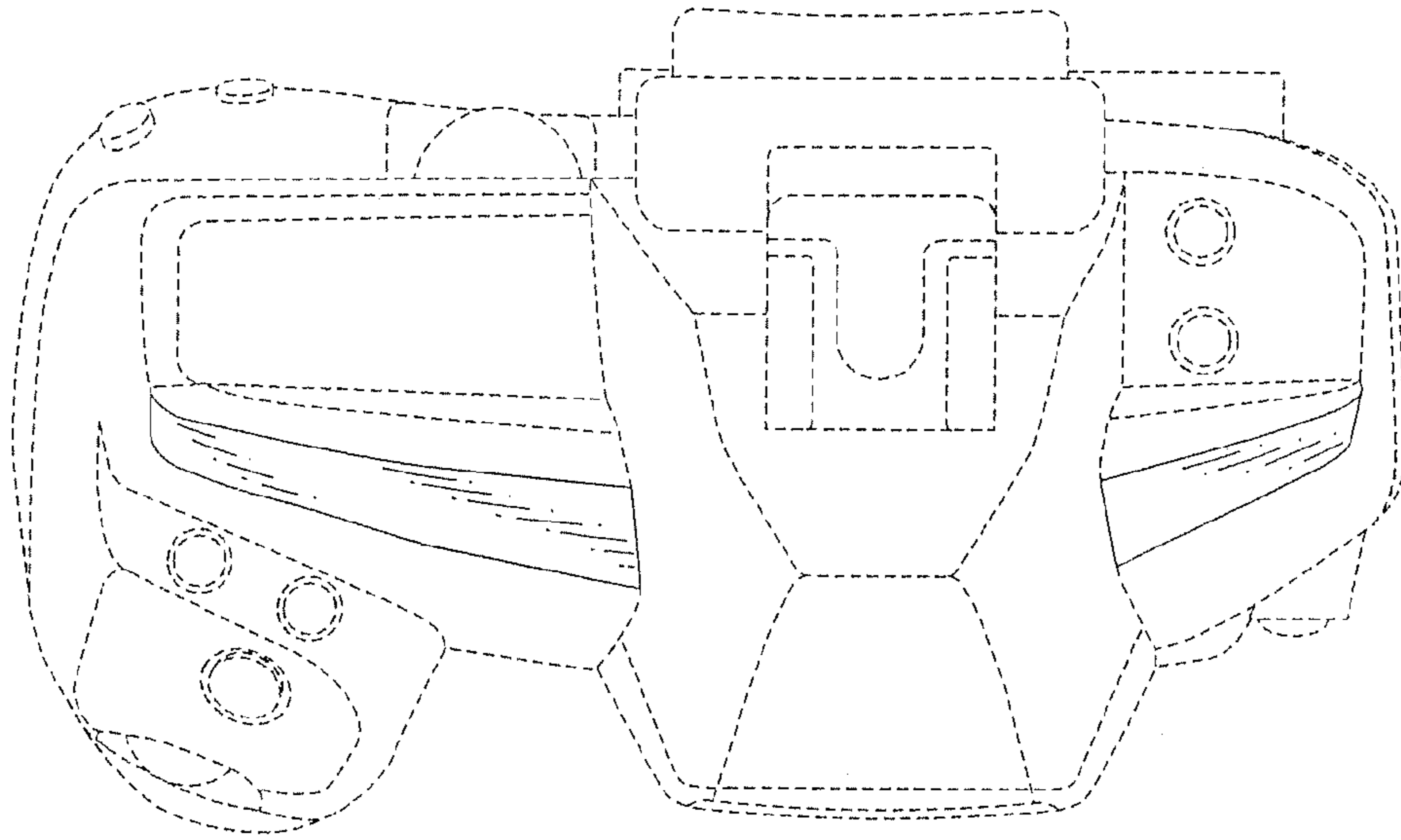


FIG. 5

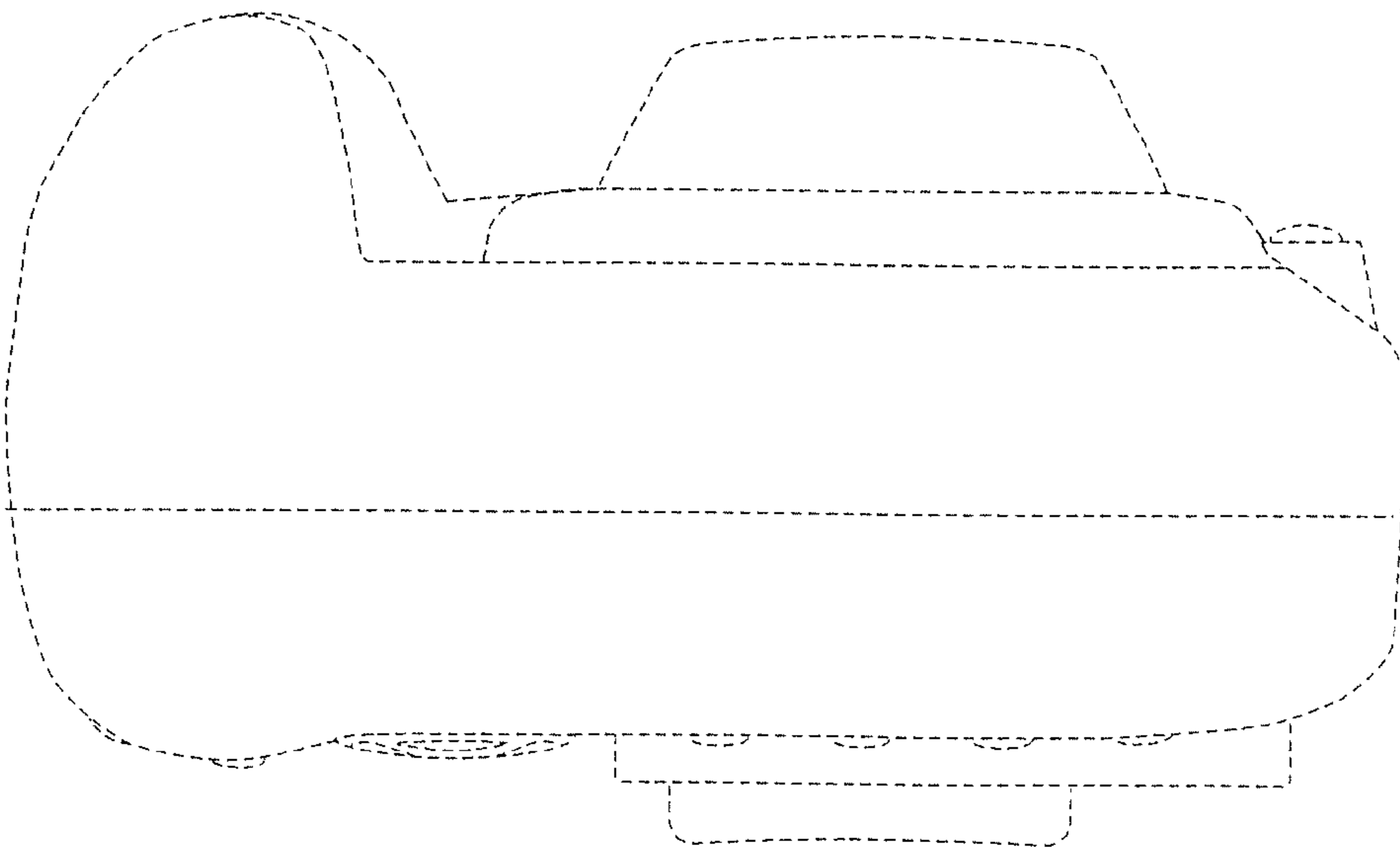


FIG. 6

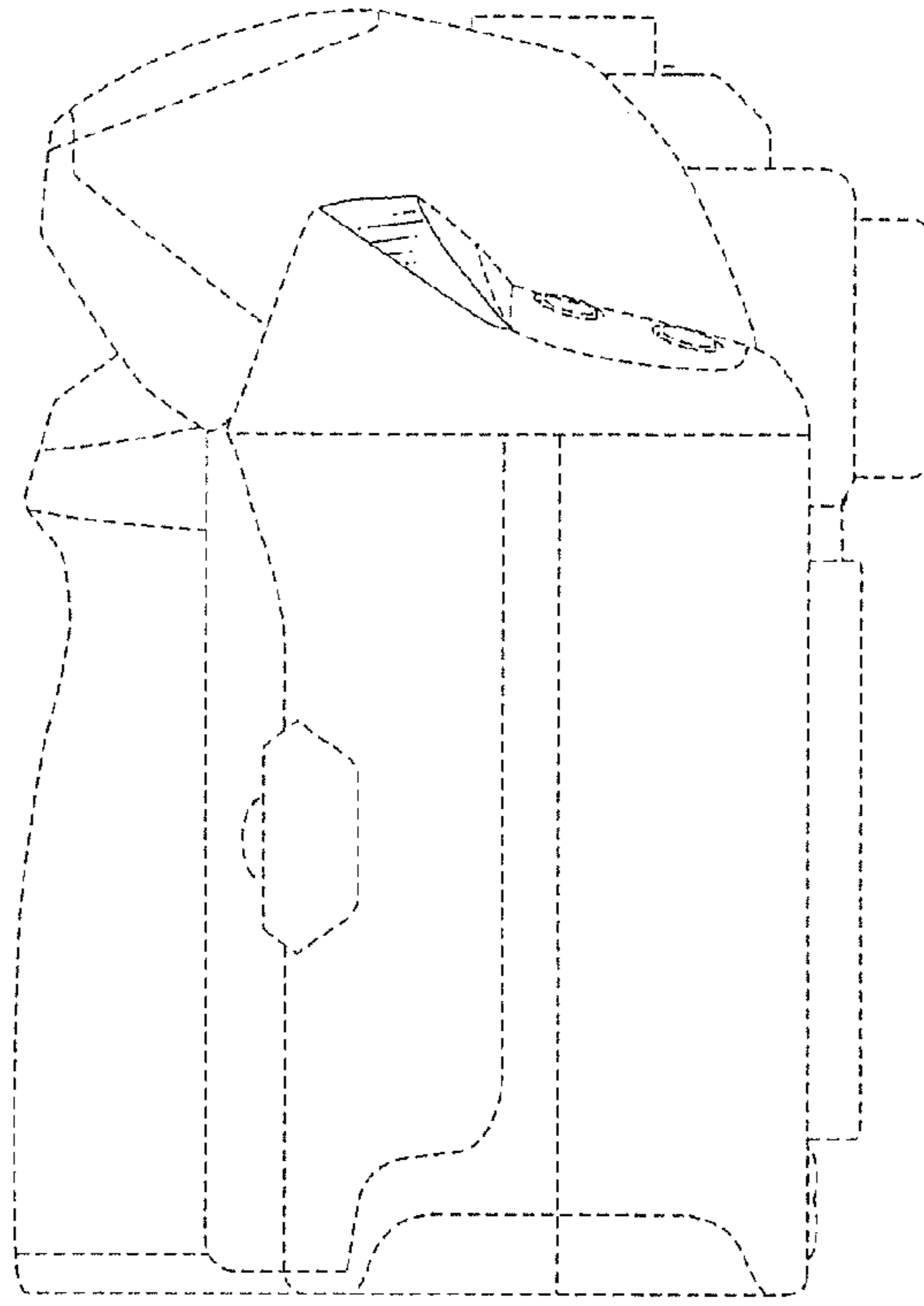


FIG. 7

