



US00D574030S

(12) **United States Design Patent**
Nakajima

(10) **Patent No.:** **US D574,030 S**

(45) **Date of Patent:** **** Jul. 29, 2008**

(54) **PORTION OF A DIGITAL CAMERA**

(75) Inventor: **Kenzo Nakajima**, Hachioji (JP)

(73) Assignee: **Olympus Imaging Corp.**, Tokyo (JP)

(**) Term: **14 Years**

(21) Appl. No.: **29/292,102**

(22) Filed: **Sep. 26, 2007**

(30) **Foreign Application Priority Data**

Aug. 9, 2007 (JP) 2007-021710

(51) **LOC (8) Cl.** **16-05**

(52) **U.S. Cl.** **D16/219**

(58) **Field of Classification Search** D16/200-204,
D16/208, 212, 218, 219; 348/373-376; 358/909.1;
396/448, 535, 536-541
See application file for complete search history.

(56) **References Cited**

U.S. PATENT DOCUMENTS

D486,172 S * 2/2004 Senda D16/219

D543,227 S * 5/2007 Hayashi D16/219

D553,658 S * 10/2007 Naito et al. D16/202

D556,230 S * 11/2007 Hanafusa et al. D16/202

D557,313 S * 12/2007 Hayamizu D16/219

* cited by examiner

Primary Examiner—Adir Aronovich

(74) *Attorney, Agent, or Firm*—Straub and Pokotylo; John C. Pokotylo

(57) **CLAIM**

The ornamental design for a portion of a digital camera, as shown and described.

DESCRIPTION

FIG. 1 is a front, top and right side perspective view of a portion of a digital camera, showing my new design;

FIG. 2 is a front elevational view thereof;

FIG. 3 is a rear elevational view thereof;

FIG. 4 is a top plan view thereof;

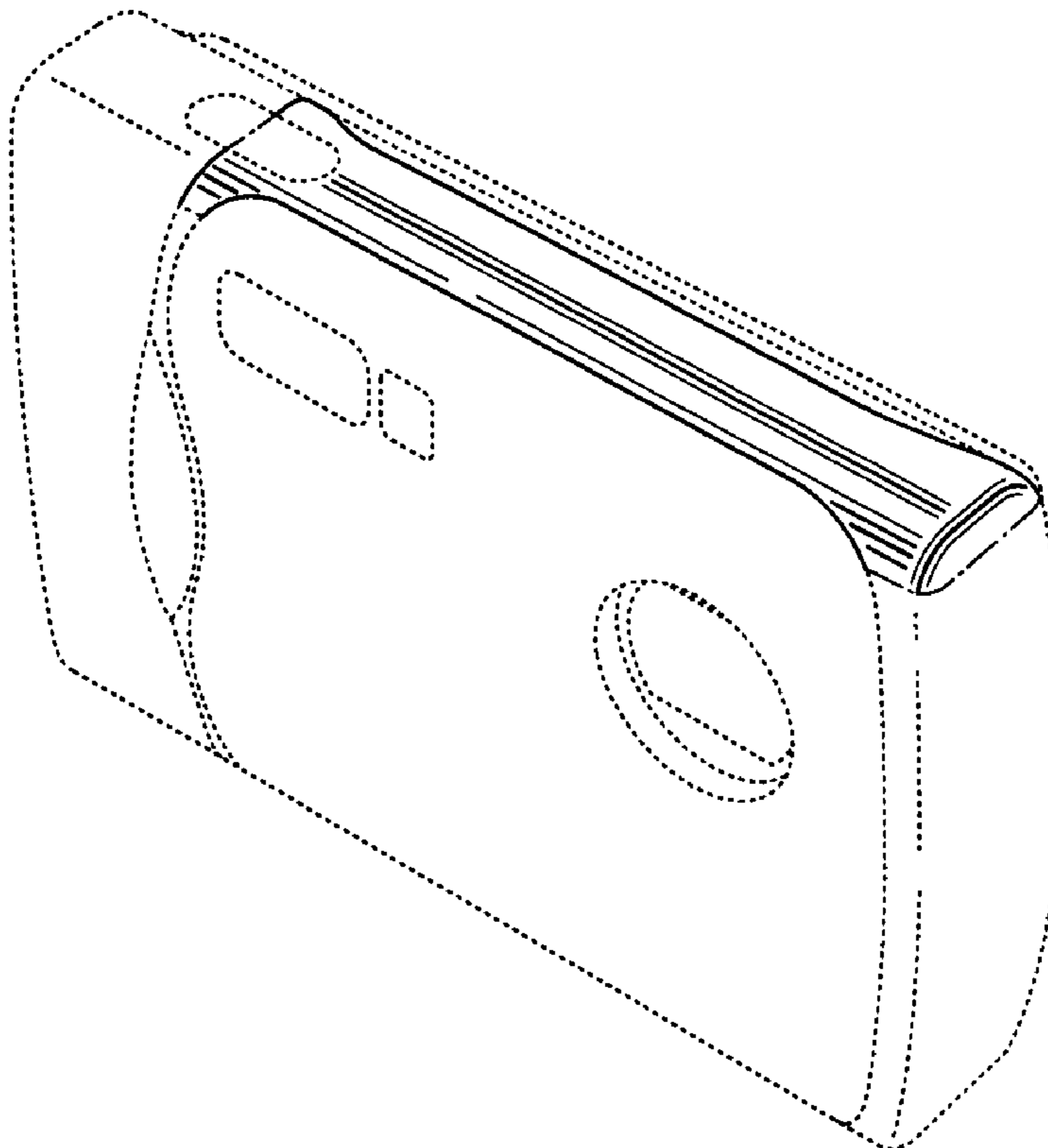
FIG. 5 is a bottom plan view thereof;

FIG. 6 is a left side elevational view thereof; and,

FIG. 7 is a right side elevational view thereof.

The dash and dotted lines immediately adjacent the shaded areas represent the bounds of the claimed design while all other broken lines are directed to environment and are for illustrative purposes only; the broken lines form no part of the claimed design.

1 Claim, 3 Drawing Sheets



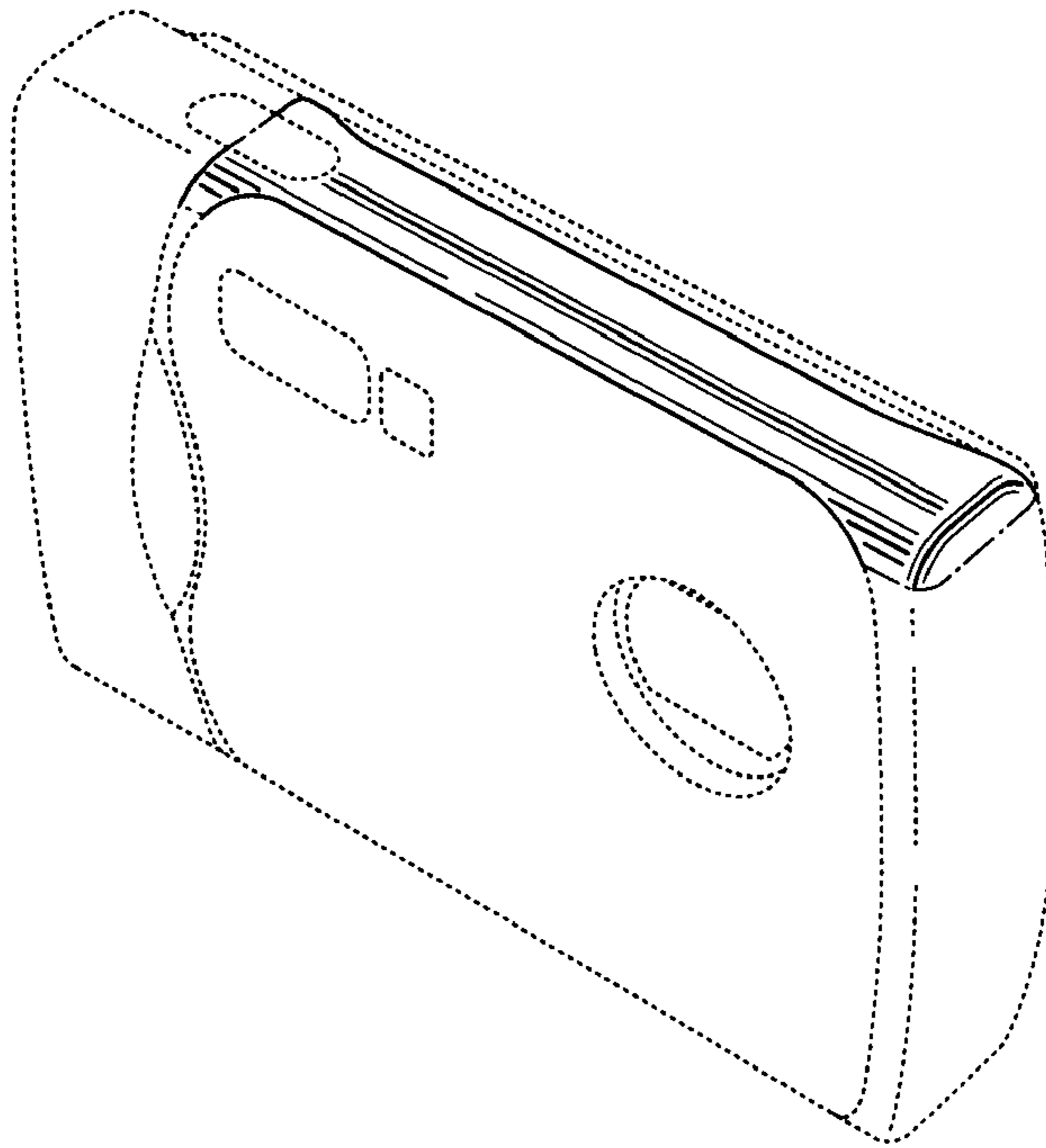


FIG. 1

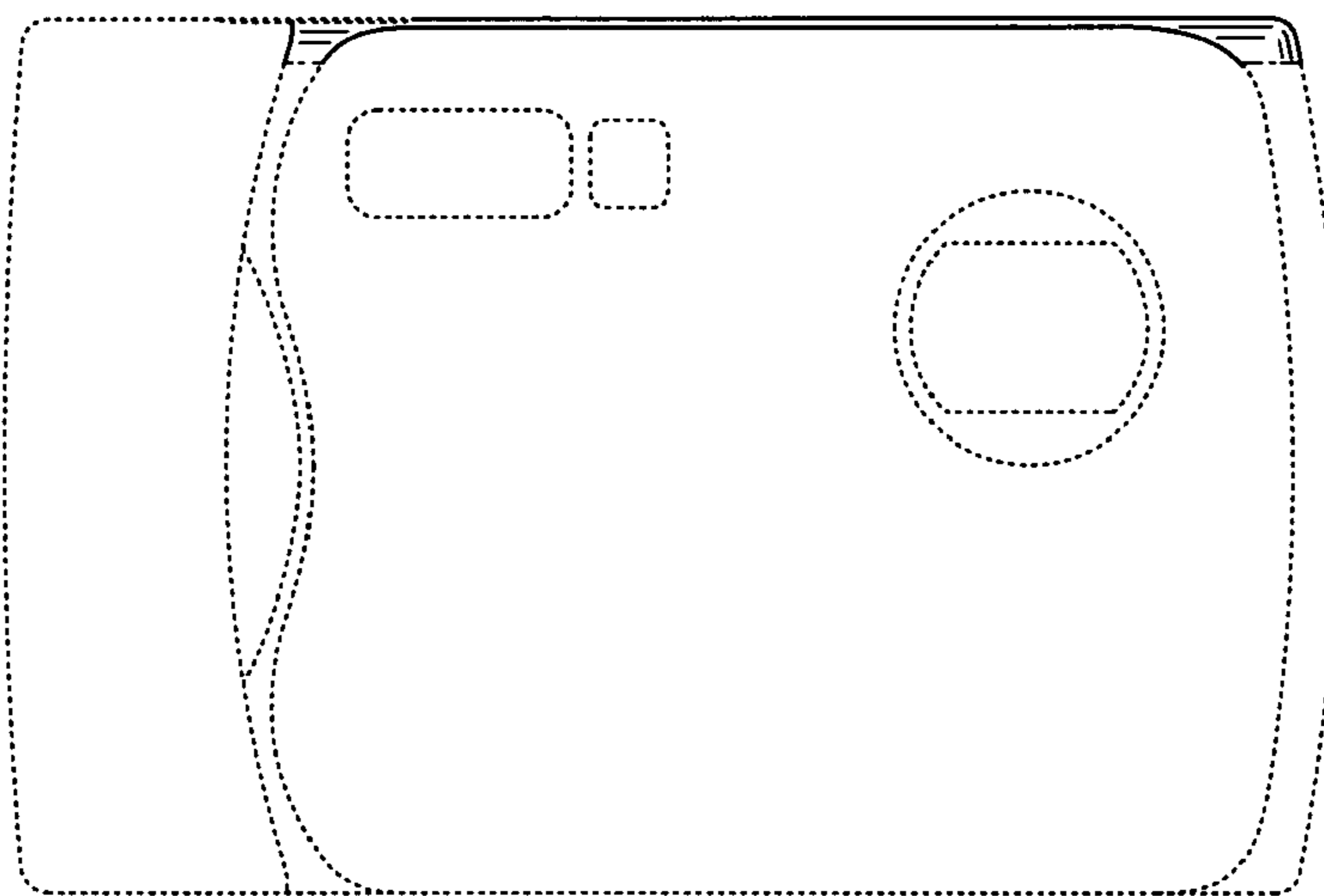


FIG. 2

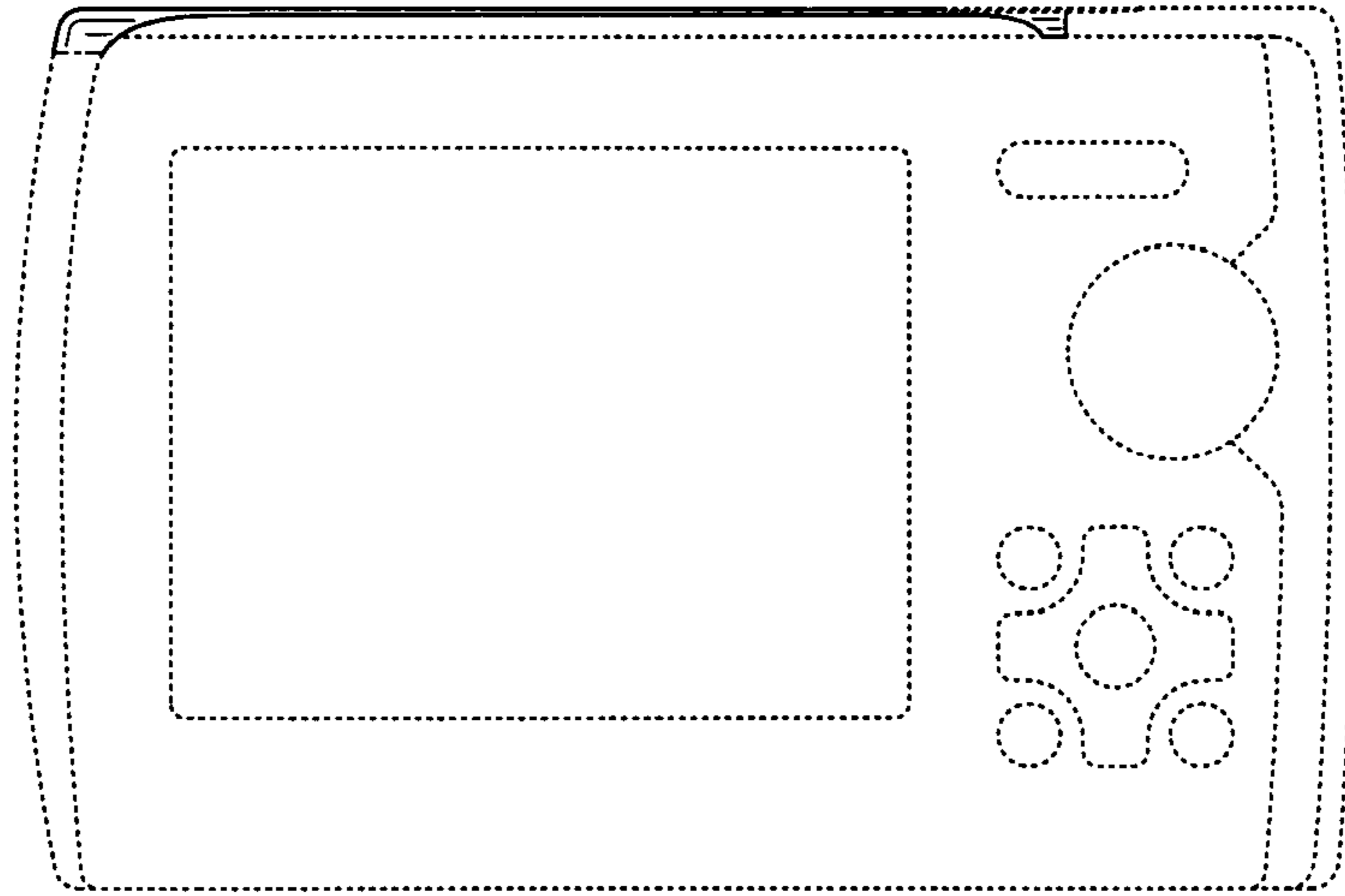


FIG.3

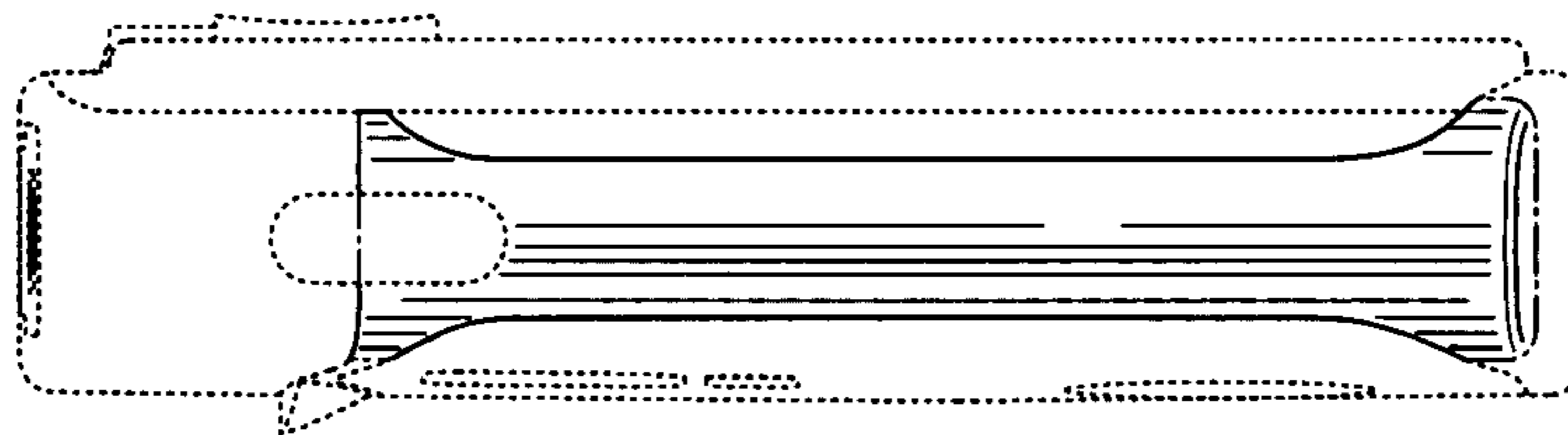


FIG.4

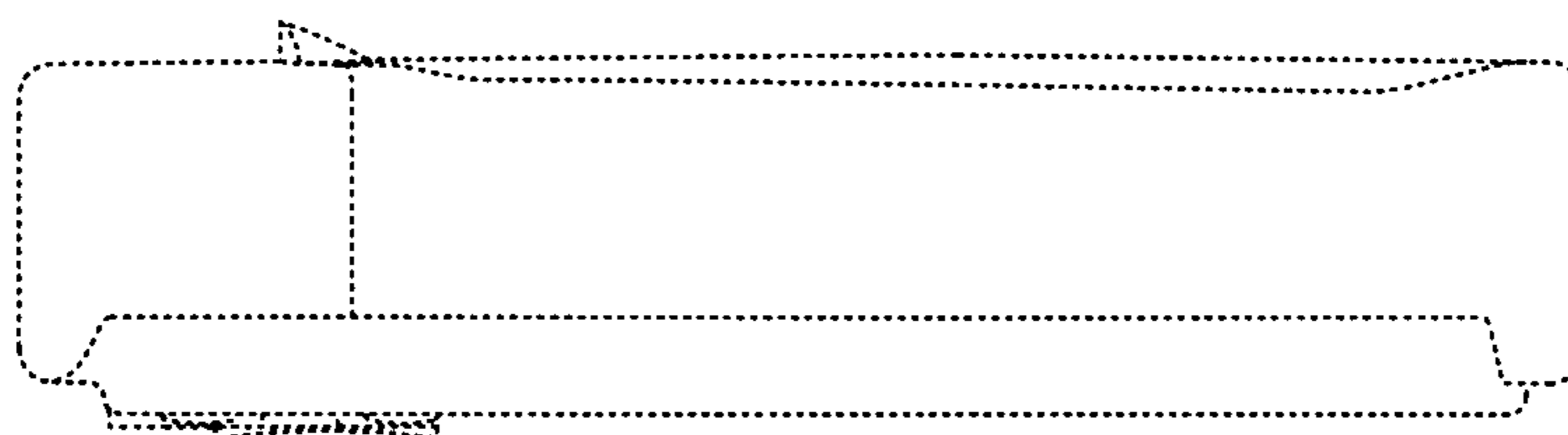


FIG.5

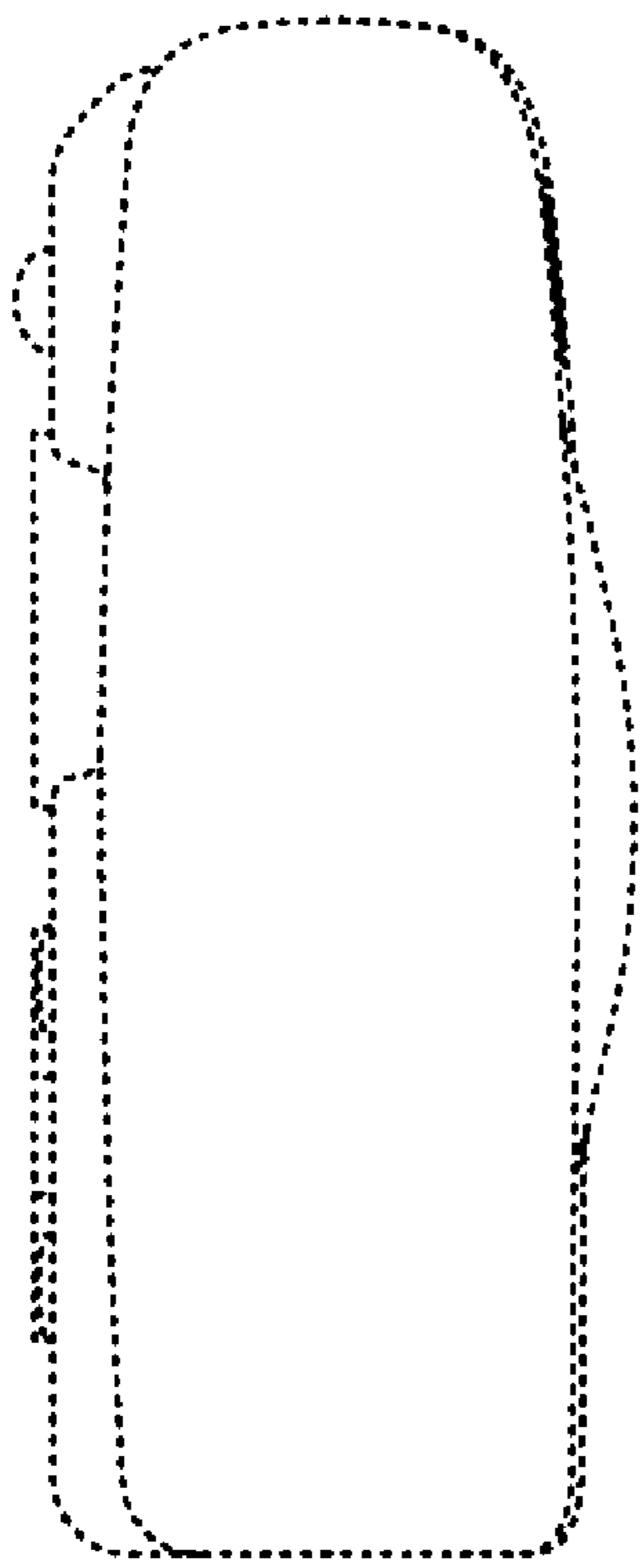


FIG. 6

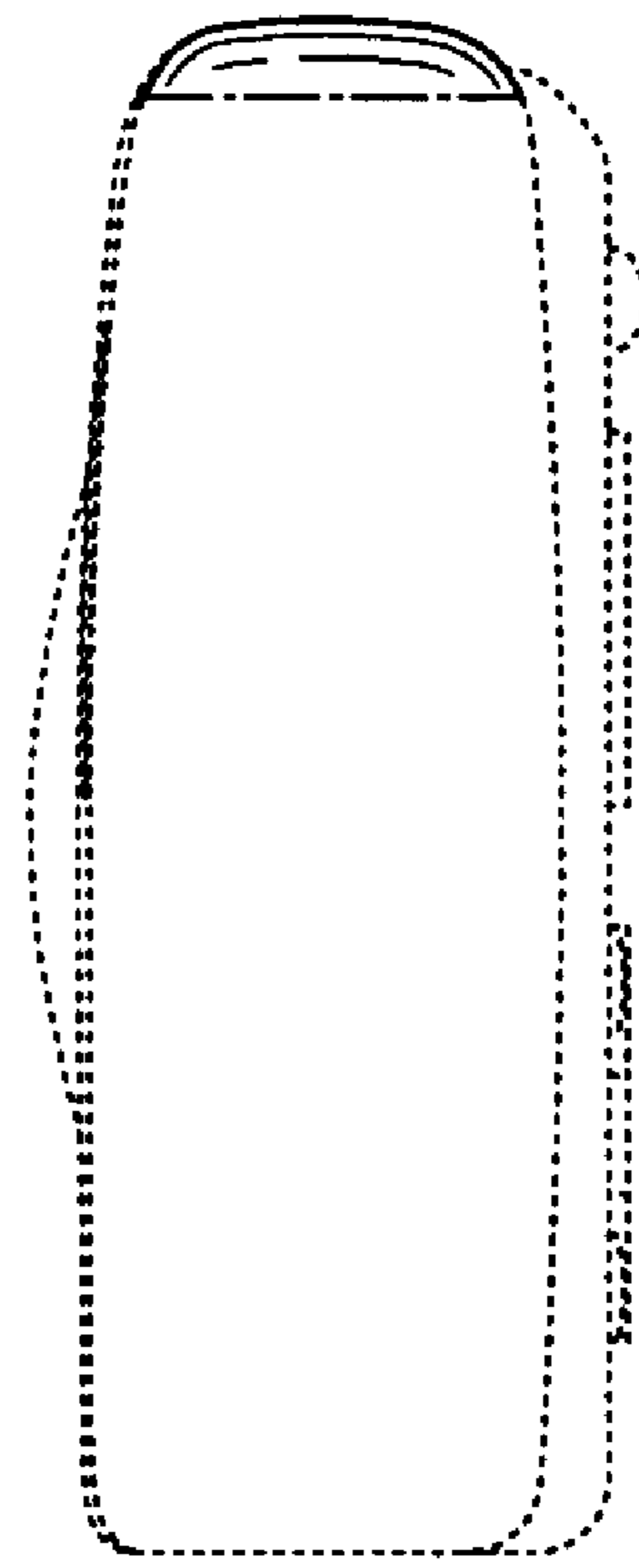


FIG. 7