



US00D574029S

(12) **United States Design Patent**
Yamagishi

(10) **Patent No.:** **US D574,029 S**
(45) **Date of Patent:** **** Jul. 29, 2008**

(54) **CAMERA**

(75) Inventor: **Asami Yamagishi**, Tokyo (JP)

(73) Assignee: **Sony Corporation**, Tokyo (JP)

(**) Term: **14 Years**

(21) Appl. No.: **29/287,572**

(22) Filed: **Aug. 24, 2007**

(30) **Foreign Application Priority Data**

Feb. 26, 2007 (CN) 2007 3 0004093

(51) **LOC (8) Cl.** **16-01**

(52) **U.S. Cl.** **D16/218; D16/202**

(58) **Field of Classification Search** D16/200-204,
D16/208, 218, 219; 348/373-376; 358/909.1;
396/535-541

See application file for complete search history.

(56) **References Cited**

U.S. PATENT DOCUMENTS

D496,678 S 9/2004 Kawase
D508,711 S * 8/2005 Suzuki D16/202
D516,601 S 3/2006 Ishii
D521,043 S * 5/2006 Takagi D16/202

D536,720 S 2/2007 Miyashita
D542,322 S 5/2007 Miyashita
D542,323 S 5/2007 Takagi
D548,255 S * 8/2007 Naito D16/202
D560,700 S * 1/2008 Naito et al. D16/202
D561,221 S * 2/2008 Ogura et al. D16/202

* cited by examiner

Primary Examiner—Adir Aronovich

(74) *Attorney, Agent, or Firm*—Rader, Fishman & Grauer, PLLC

(57) **CLAIM**

The ornamental design for a camera, as shown.

DESCRIPTION

FIG. 1 is a perspective view of a camera showing my new design;

FIG. 2 is a front elevational view thereof;

FIG. 3 is a rear elevational view thereof;

FIG. 4 is a left side elevational view thereof;

FIG. 5 is a right side elevational view thereof;

FIG. 6 is a top plan view thereof; and,

FIG. 7 is a bottom plan view thereof.

1 Claim, 7 Drawing Sheets

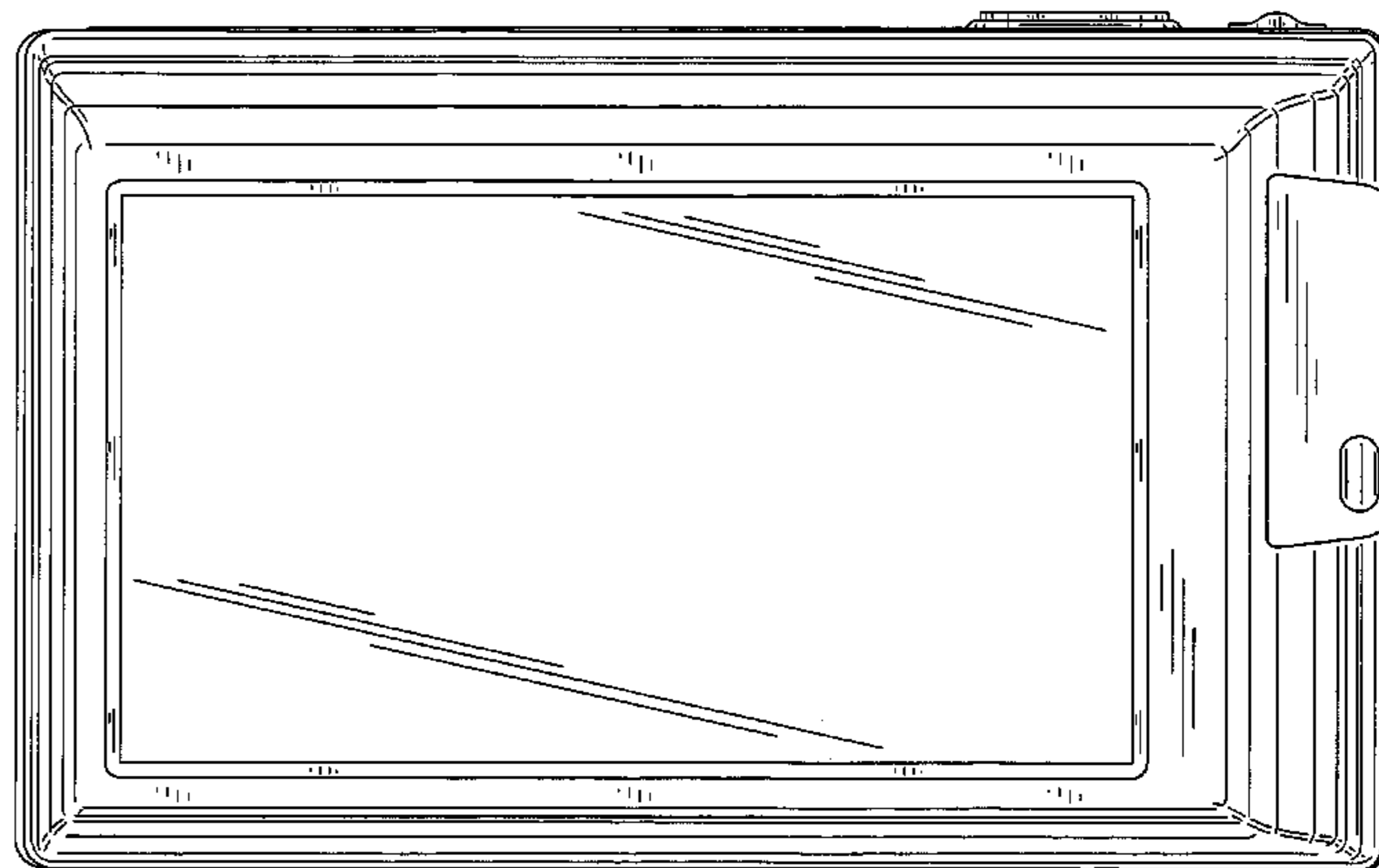
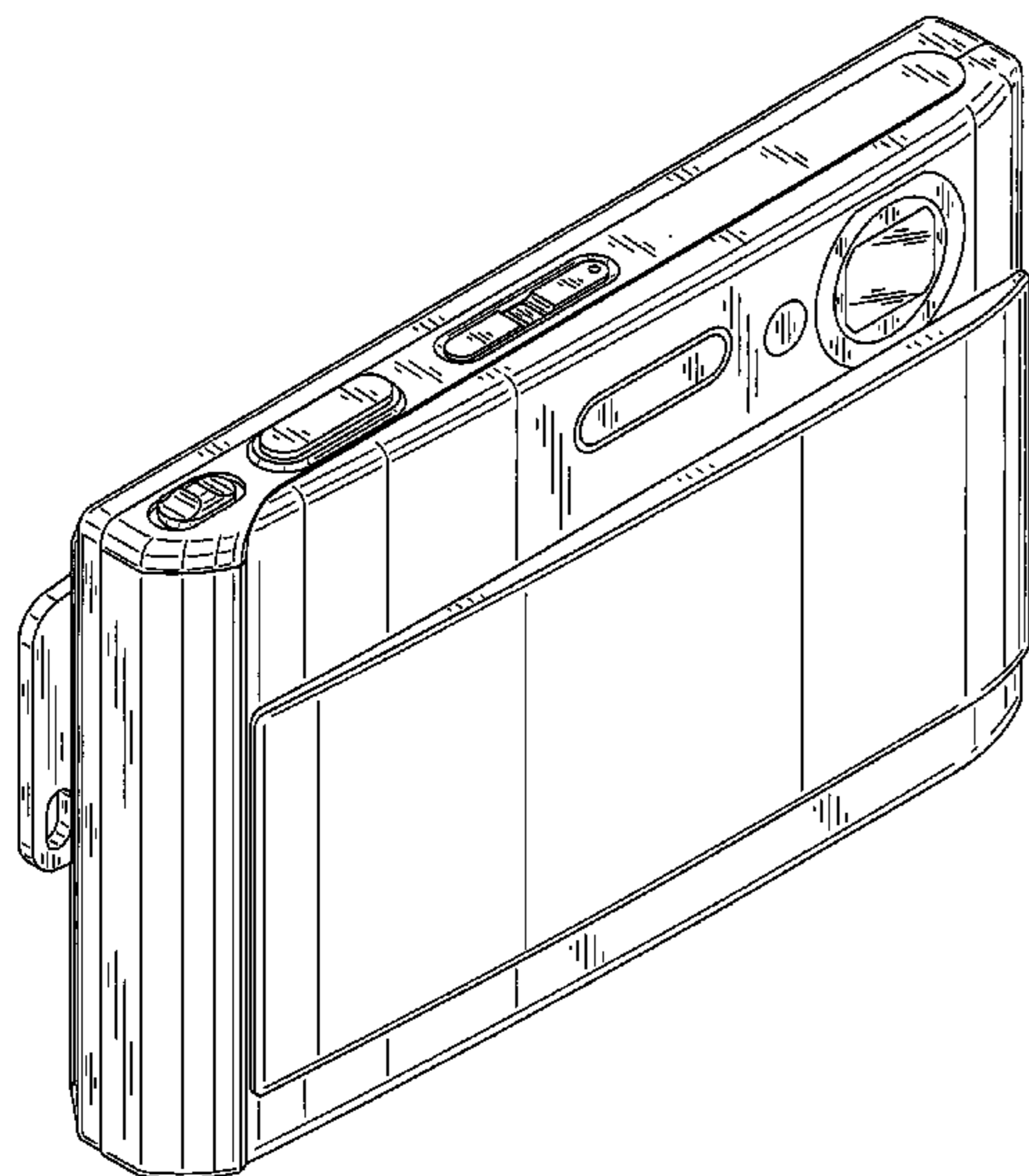


Fig.1

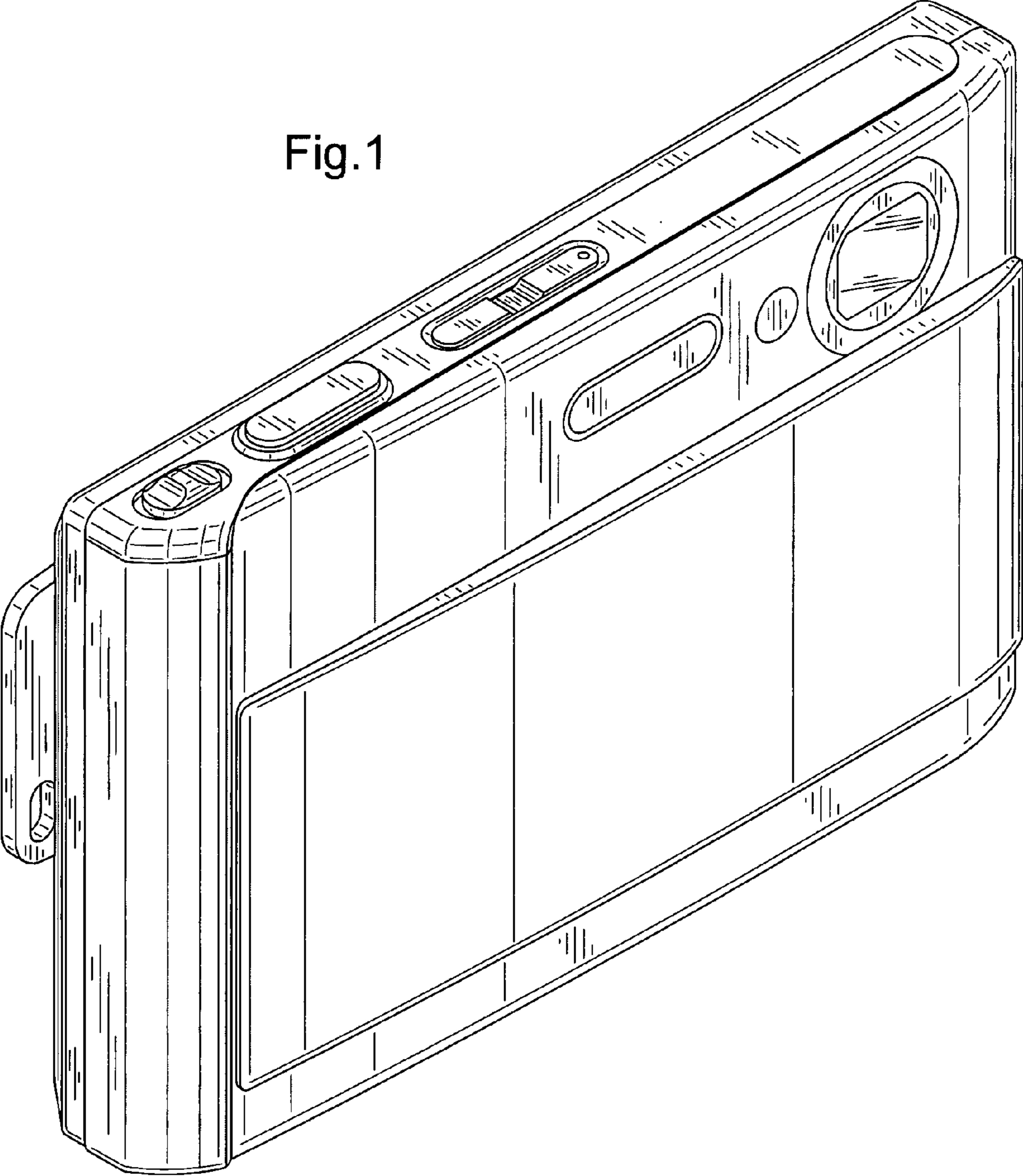


Fig.2

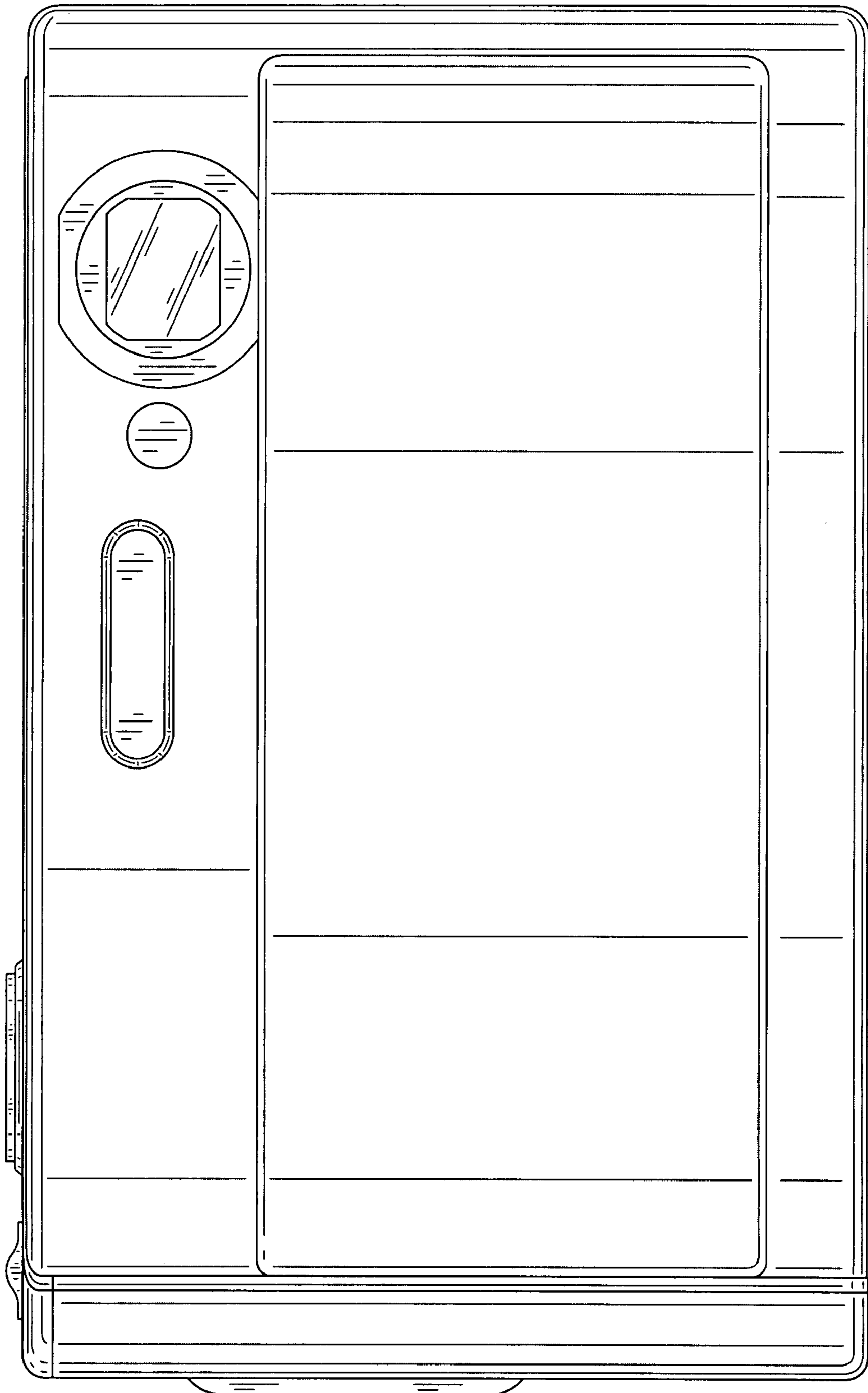


Fig.3

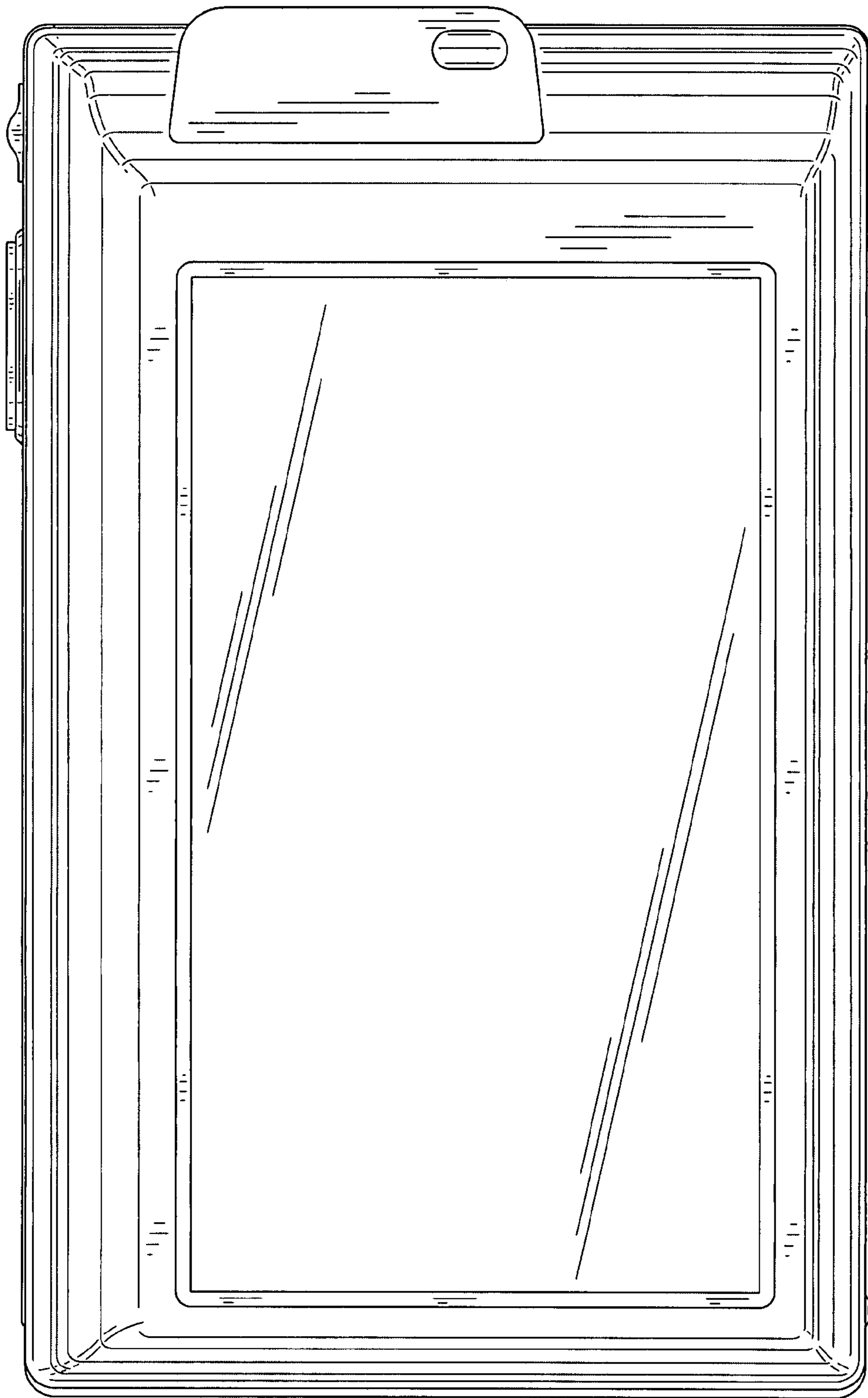


Fig.4

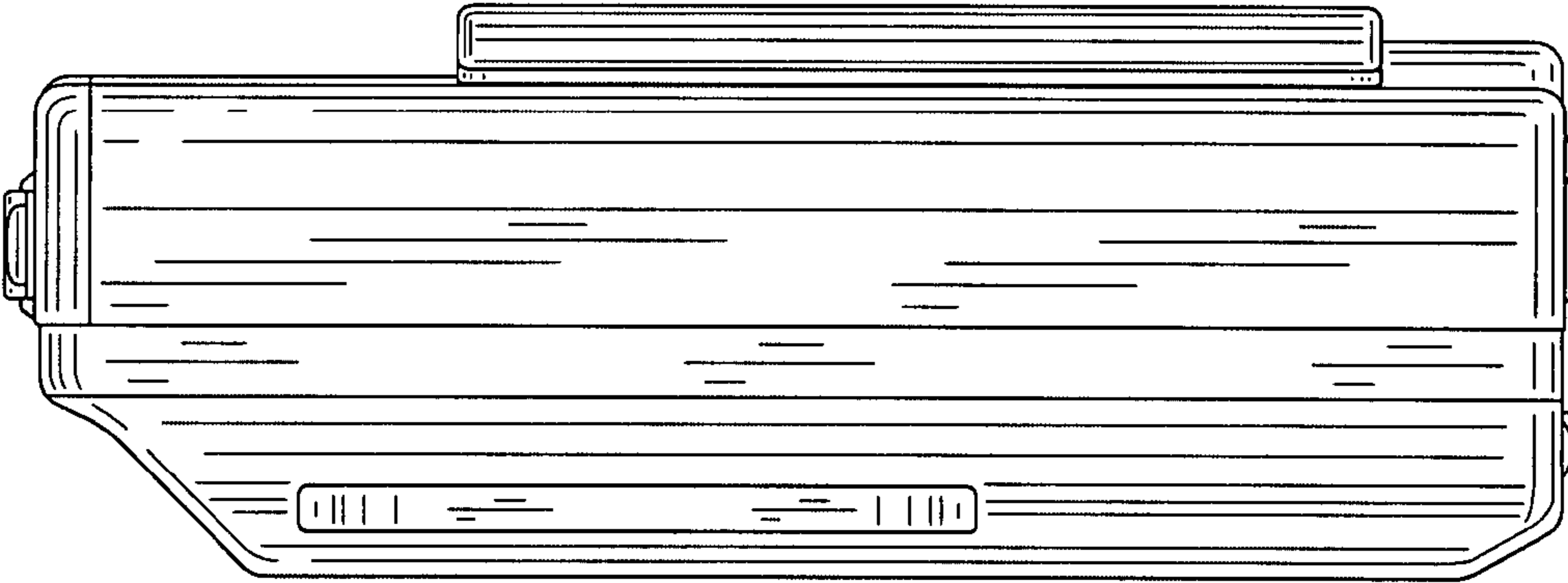


Fig.5

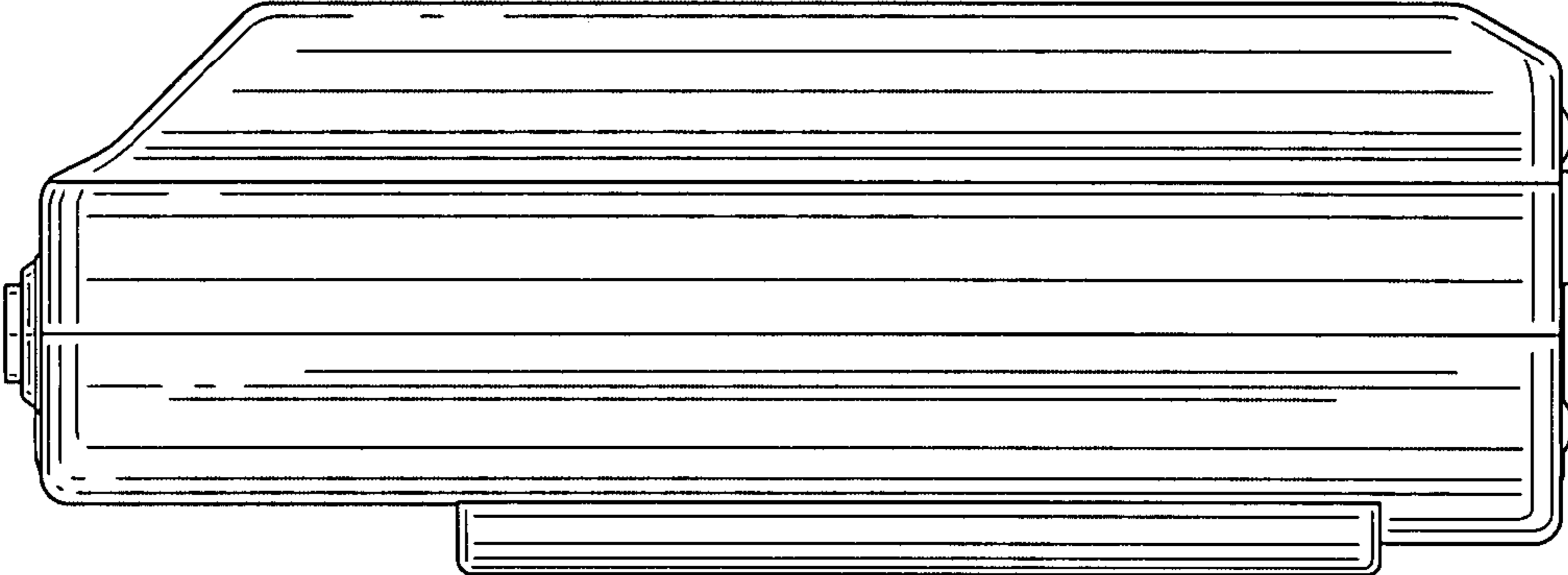


Fig.6

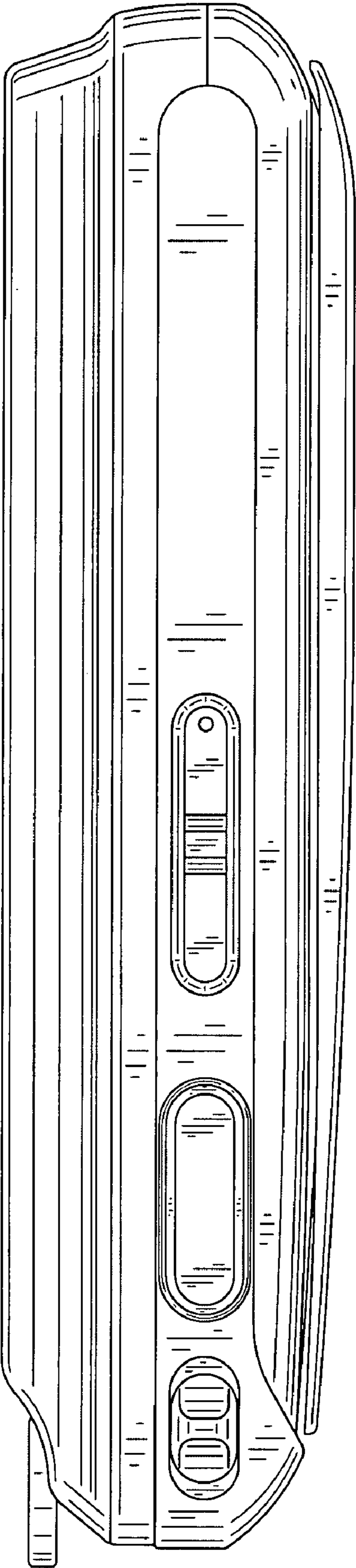


Fig.7

