



US00D574028S

(12) **United States Design Patent**
Vernon et al.

(10) **Patent No.:** **US D574,028 S**
(45) **Date of Patent:** **** Jul. 29, 2008**

(54) **COMBINED CAMERA AND ILLUMINATOR HOUSING**

7,016,518 B2 * 3/2006 Vernon 382/105
D528,144 S * 9/2006 Takemasa D16/203
D550,741 S * 9/2007 Vernon D16/208
2003/0093805 A1 * 5/2003 Gin 348/143

(75) Inventors: **Mark Vernon**, North Shields (GB);
Marian Stanciu, Richmond (CA)

* cited by examiner

(73) Assignee: **Bosch Security Systems BV**, Eindhoven (NL)

Primary Examiner—Adir Aronovich

(**) Term: **14 Years**

(57) **CLAIM**

(21) Appl. No.: **29/289,147**

The ornamental design for a combined camera and illuminator housing, as shown.

(22) Filed: **Jul. 10, 2007**

DESCRIPTION

(51) **LOC (8) Cl.** **16-01**

FIG. 1 is an isometric view of a combined camera and illuminator housing showing my new design;

(52) **U.S. Cl.** **D16/208**

FIG. 2 is a top view thereof;

(58) **Field of Classification Search** D16/200–204,
D16/208, 218; 348/143, 373, 374–376; 362/16;
396/419, 425, 428, 429, 535, 540, 541

FIG. 3 is right side view thereof;

FIG. 4 is a left side view thereof;

See application file for complete search history.

FIG. 5 is a bottom view thereof;

FIG. 6 is a front view thereof; and,

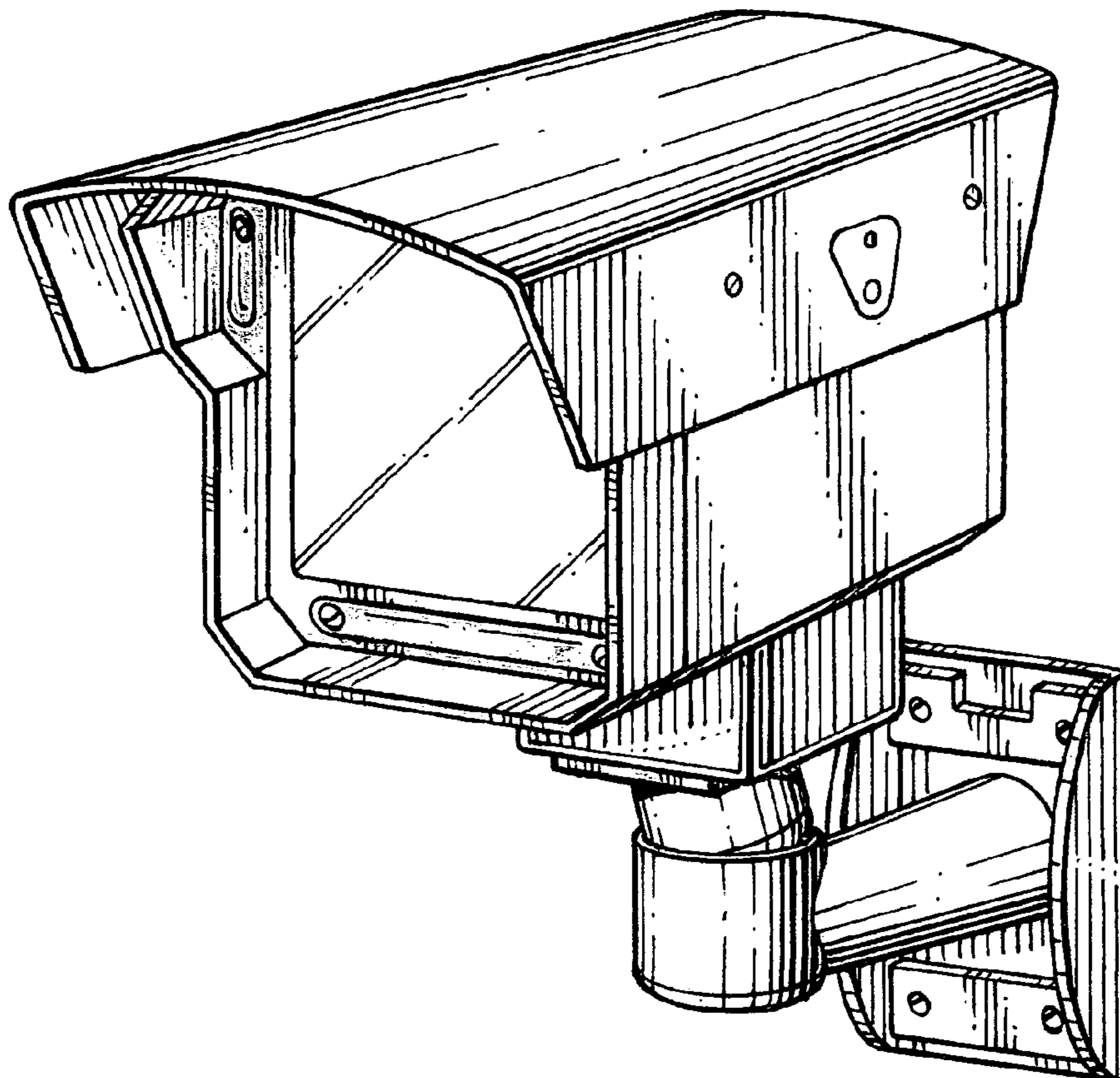
FIG. 7 is a rear view thereof.

(56) **References Cited**

U.S. PATENT DOCUMENTS

2,290,793 A * 7/1942 Alderman 396/425
D459,379 S * 6/2002 Cheng D16/204

1 Claim, 3 Drawing Sheets



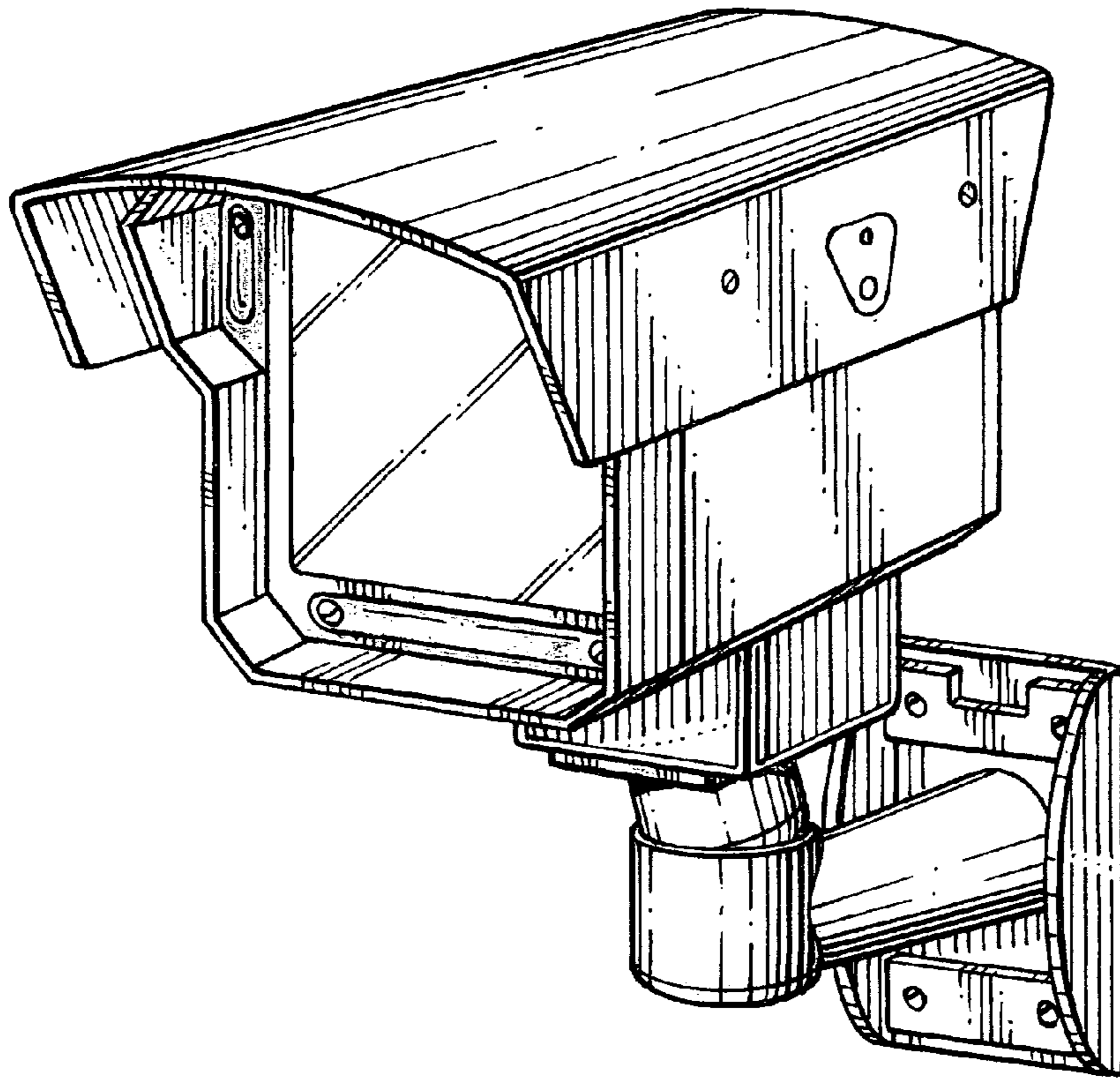


FIG. 1

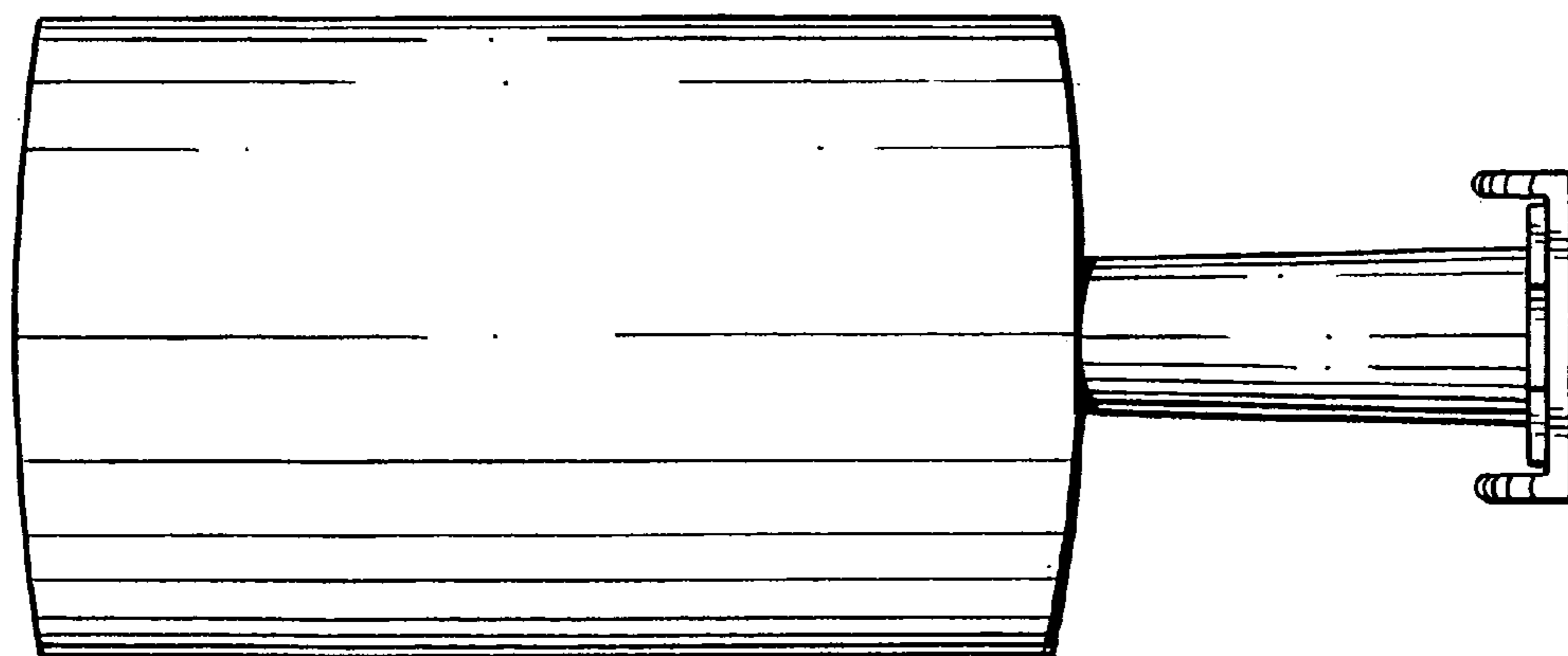


FIG. 2

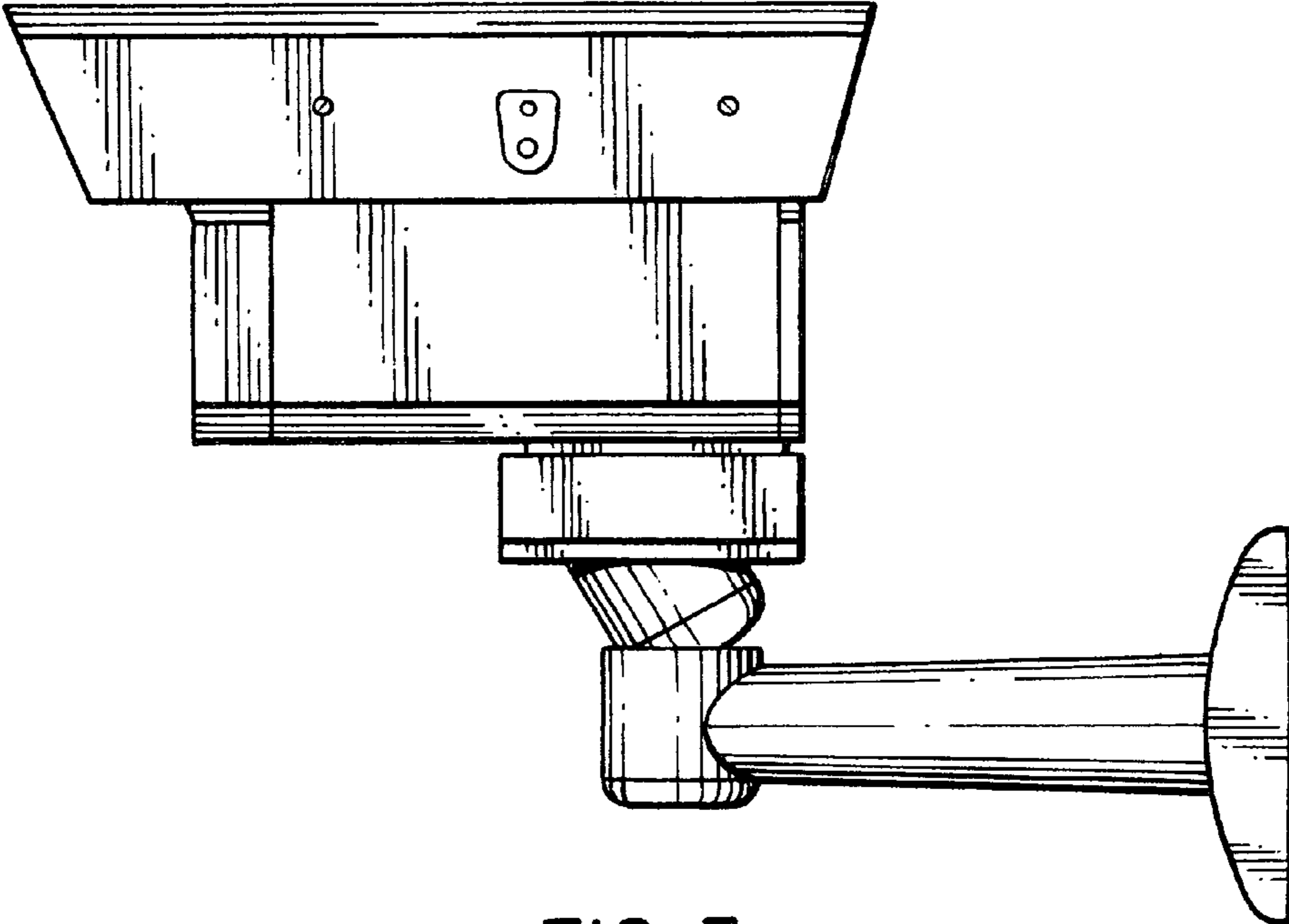


FIG. 3

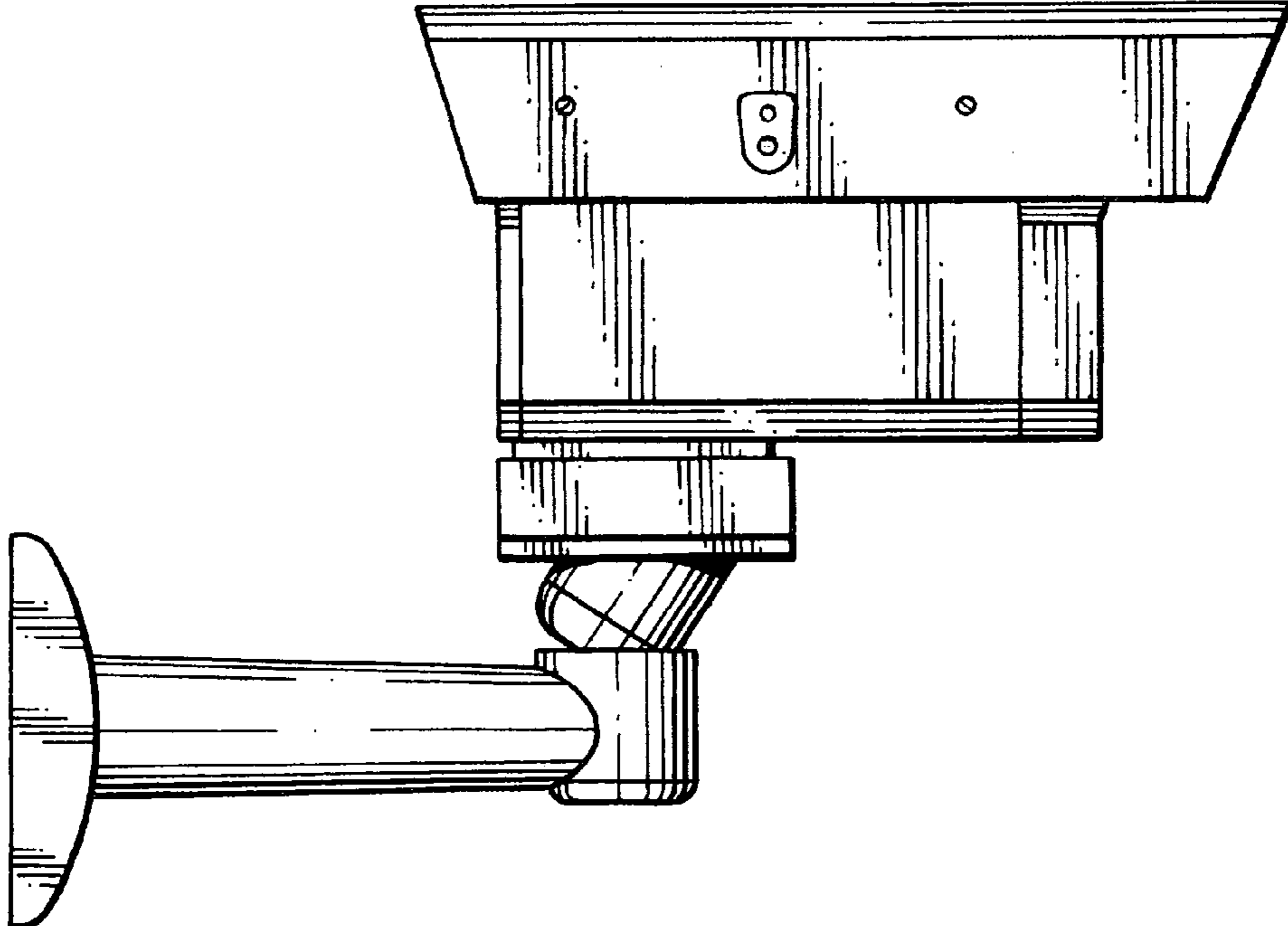


FIG. 4

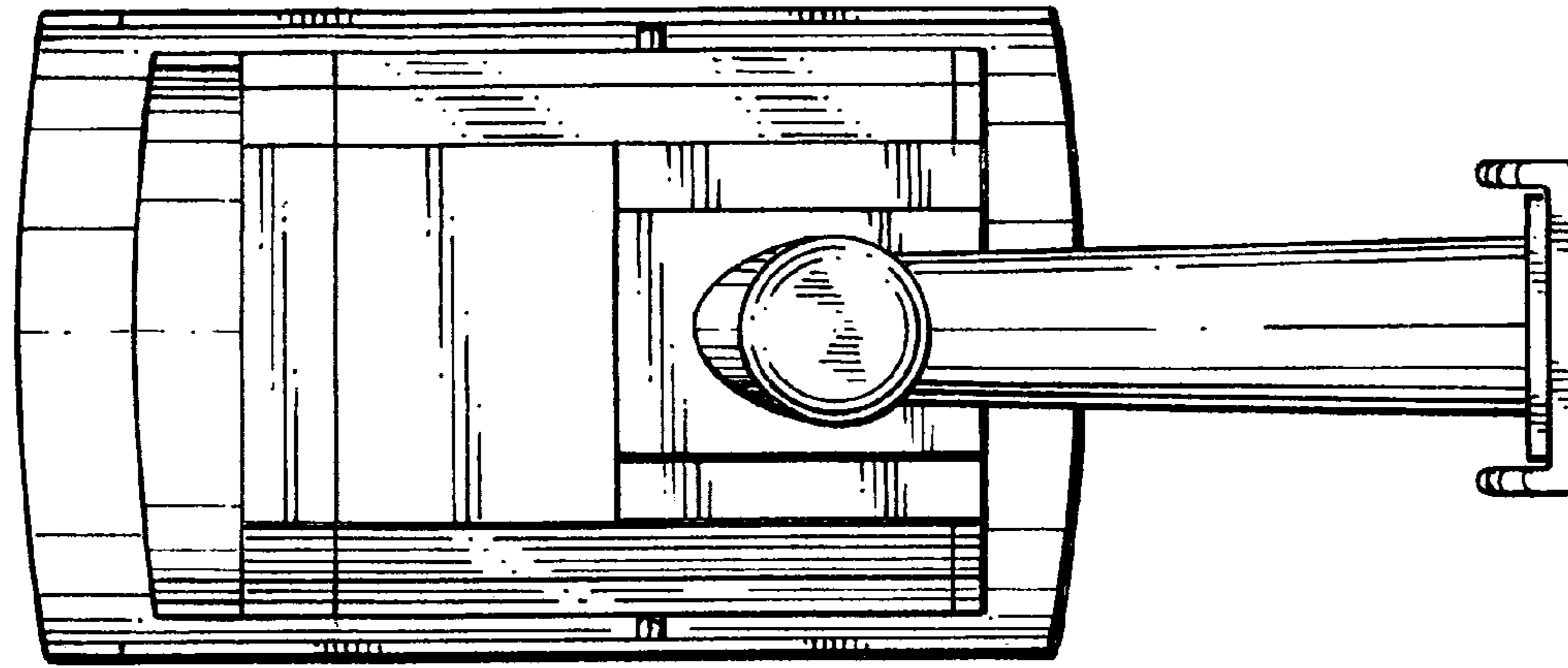


FIG. 5

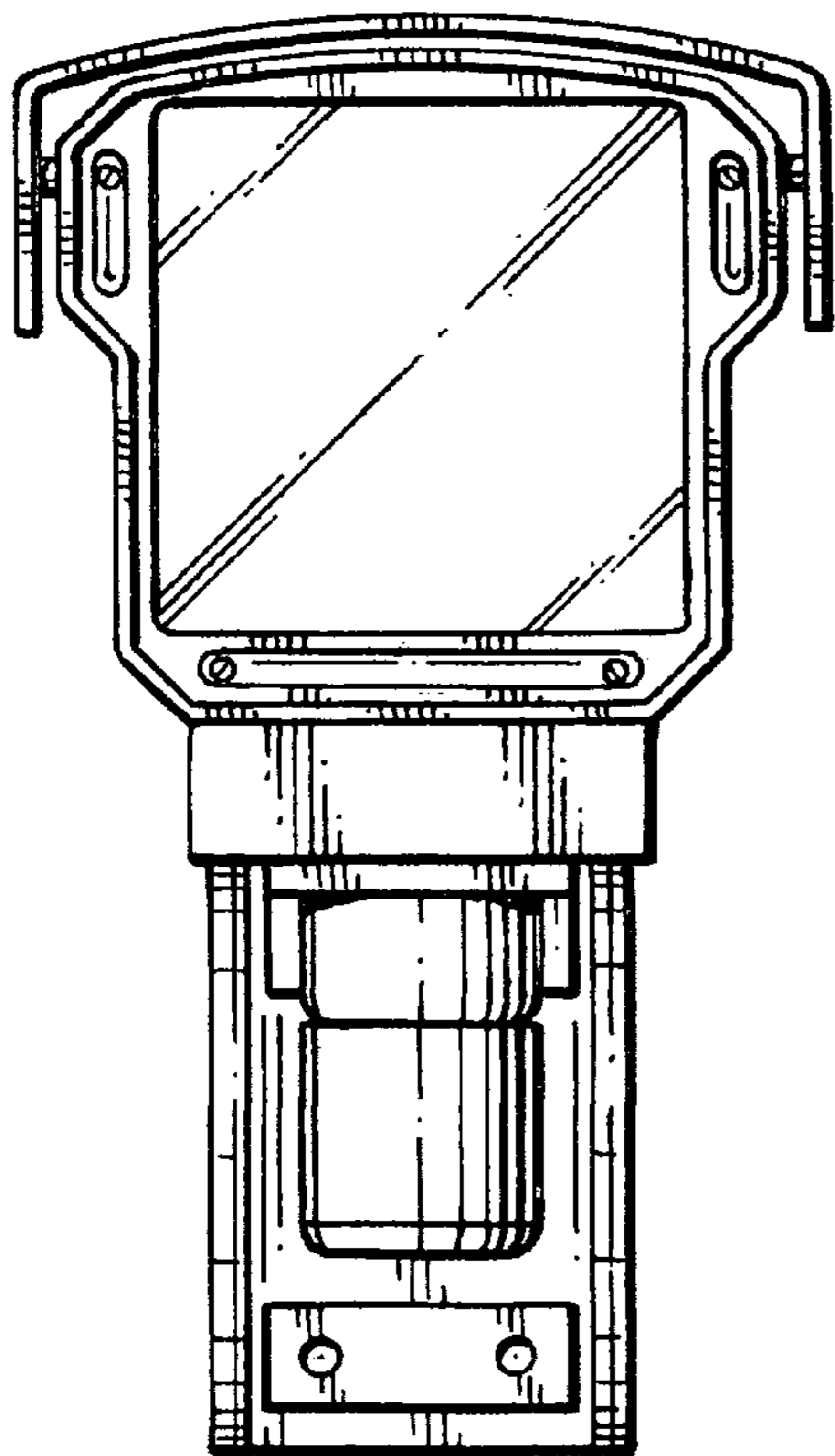


FIG. 6

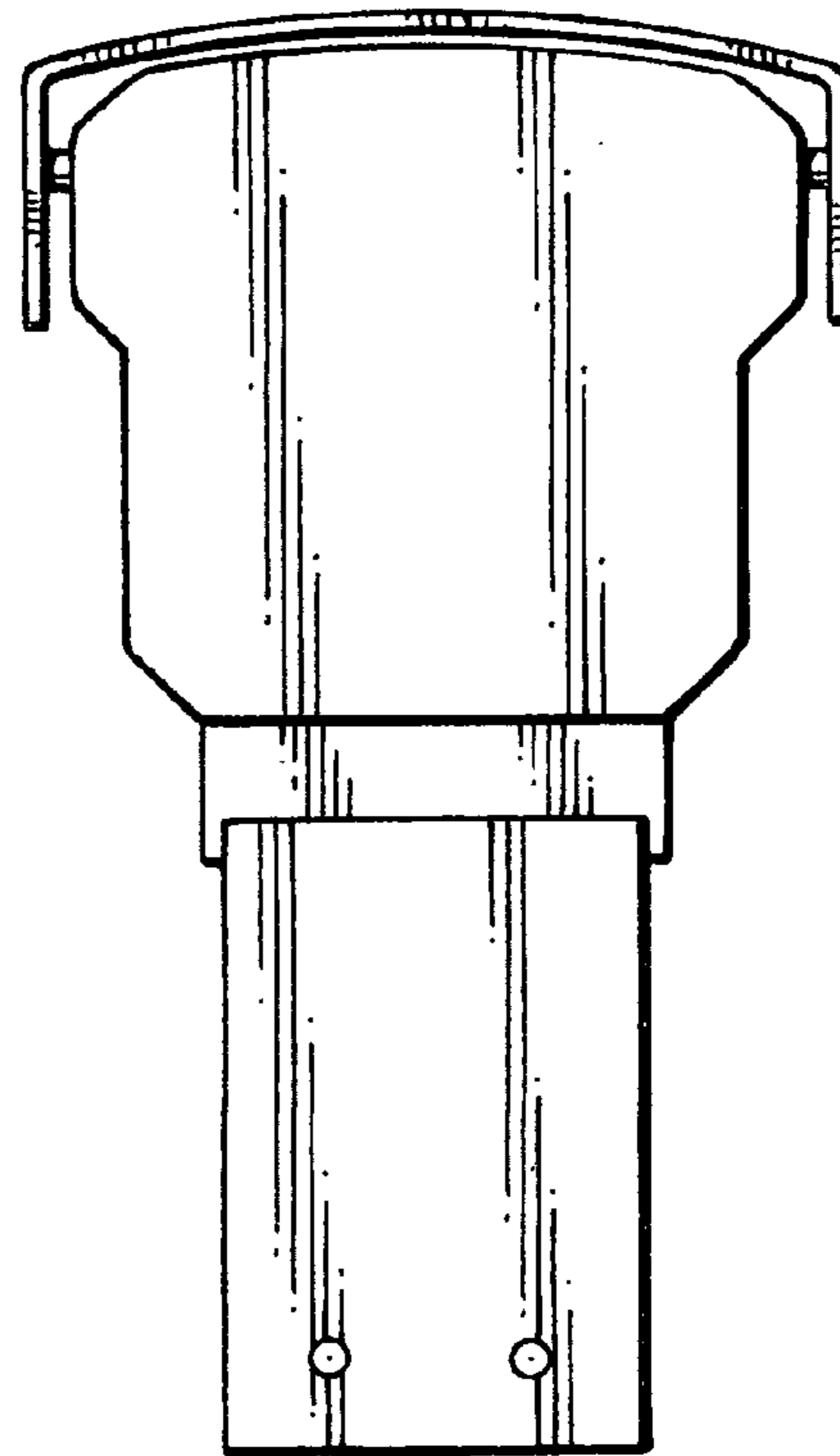


FIG. 7