



US00D574027S

(12) **United States Design Patent**
Miyazaki

(10) **Patent No.:** **US D574,027 S**
(45) **Date of Patent:** **** Jul. 29, 2008**

(54) **VIDEO CAMERA**

D559,879 S * 1/2008 Sumita D16/202
D559,880 S * 1/2008 Sumita D16/202

(75) Inventor: **Tetsuro Miyazaki**, Tokyo (JP)

FOREIGN PATENT DOCUMENTS

(73) Assignee: **Sony Corporation**, Tokyo (JP)

JP D1222032 S 11/2004
JP D1222033 S 11/2004

(**) Term: **14 Years**

* cited by examiner

(21) Appl. No.: **29/287,352**

Primary Examiner—Adir Aronovich

(22) Filed: **Jul. 27, 2007**

(74) *Attorney, Agent, or Firm*—Rader, Fishman & Grauer, PLLC

(30) **Foreign Application Priority Data**

(57) **CLAIM**

Apr. 6, 2007 (JP) D2007-009145

The ornamental design for a video camera, as shown.

(51) **LOC (8) Cl.** **16-01**

DESCRIPTION

(52) **U.S. Cl.** **D16/202**

(58) **Field of Classification Search** D16/200–205,
D16/208, 218; 348/373–376; 358/906; 396/535–541
See application file for complete search history.

FIG. 1 is a perspective view of a video camera showing my new design;

FIG. 2 is a front elevational view thereof;

(56) **References Cited**

U.S. PATENT DOCUMENTS

D380,484 S * 7/1997 Sumita D16/202
5,767,906 A * 6/1998 Toyofuku et al. 348/375
D404,748 S * 1/1999 Miyashita D16/202
D431,041 S * 9/2000 Sekine D16/202
D438,552 S 3/2001 Sumita
D506,492 S 6/2005 Miyashita

FIG. 3 is a rear elevational view thereof;

FIG. 4 is a left side elevational view thereof;

FIG. 5 is a right side elevational view thereof;

FIG. 6 is a top plan view thereof; and,

FIG. 7 is a bottom plan view thereof.

1 Claim, 7 Drawing Sheets

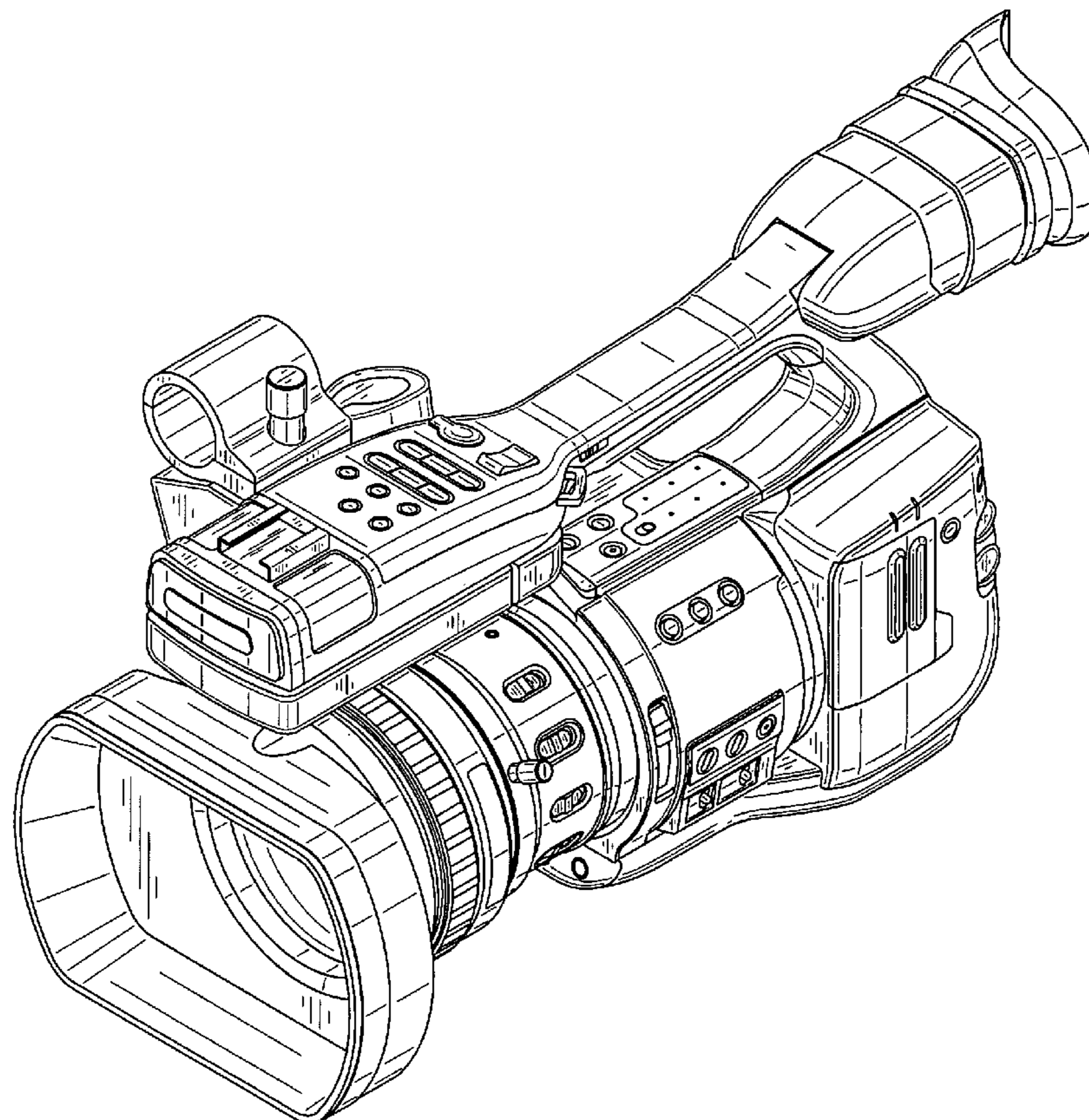


Fig. 1

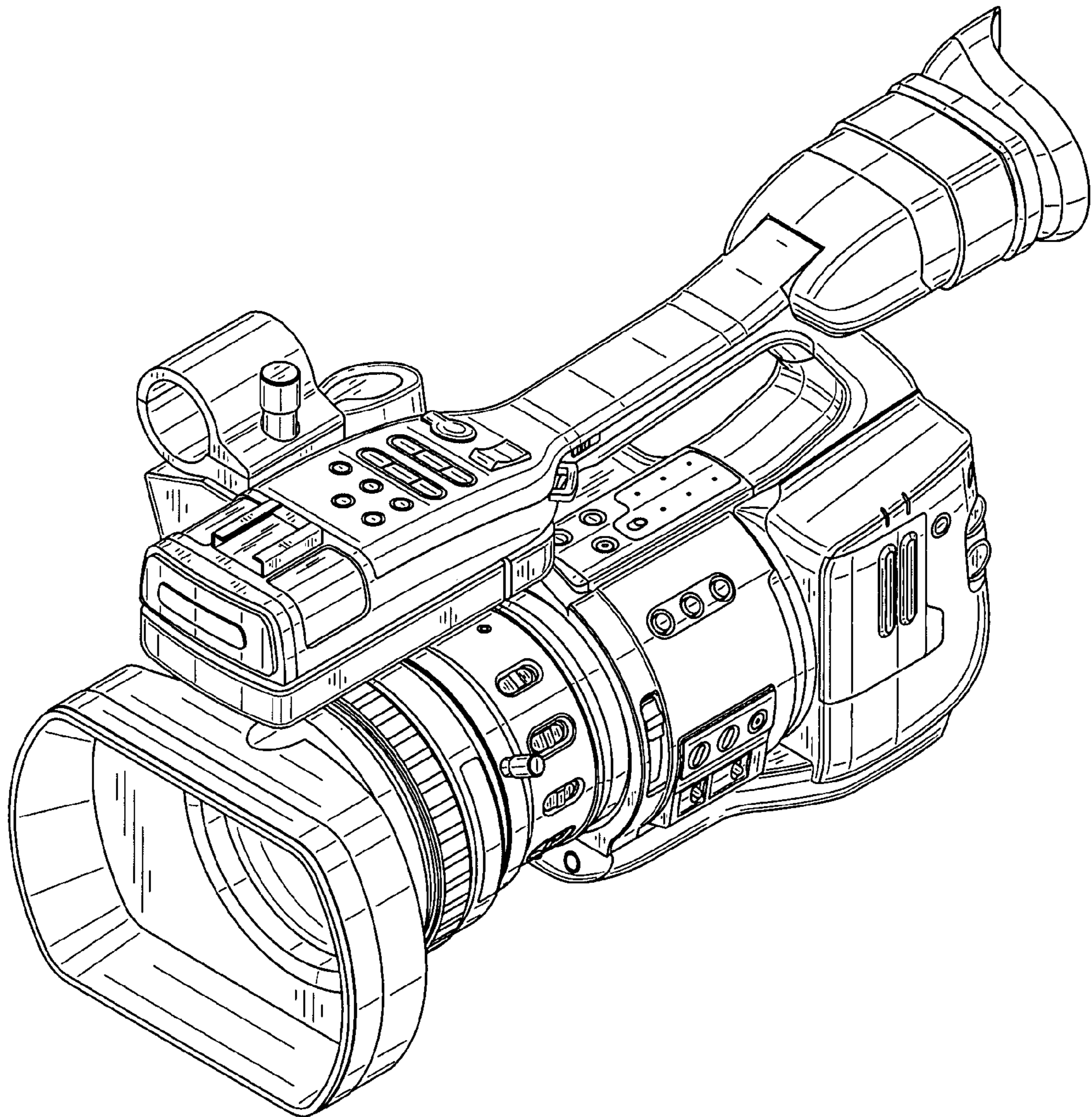


Fig.2

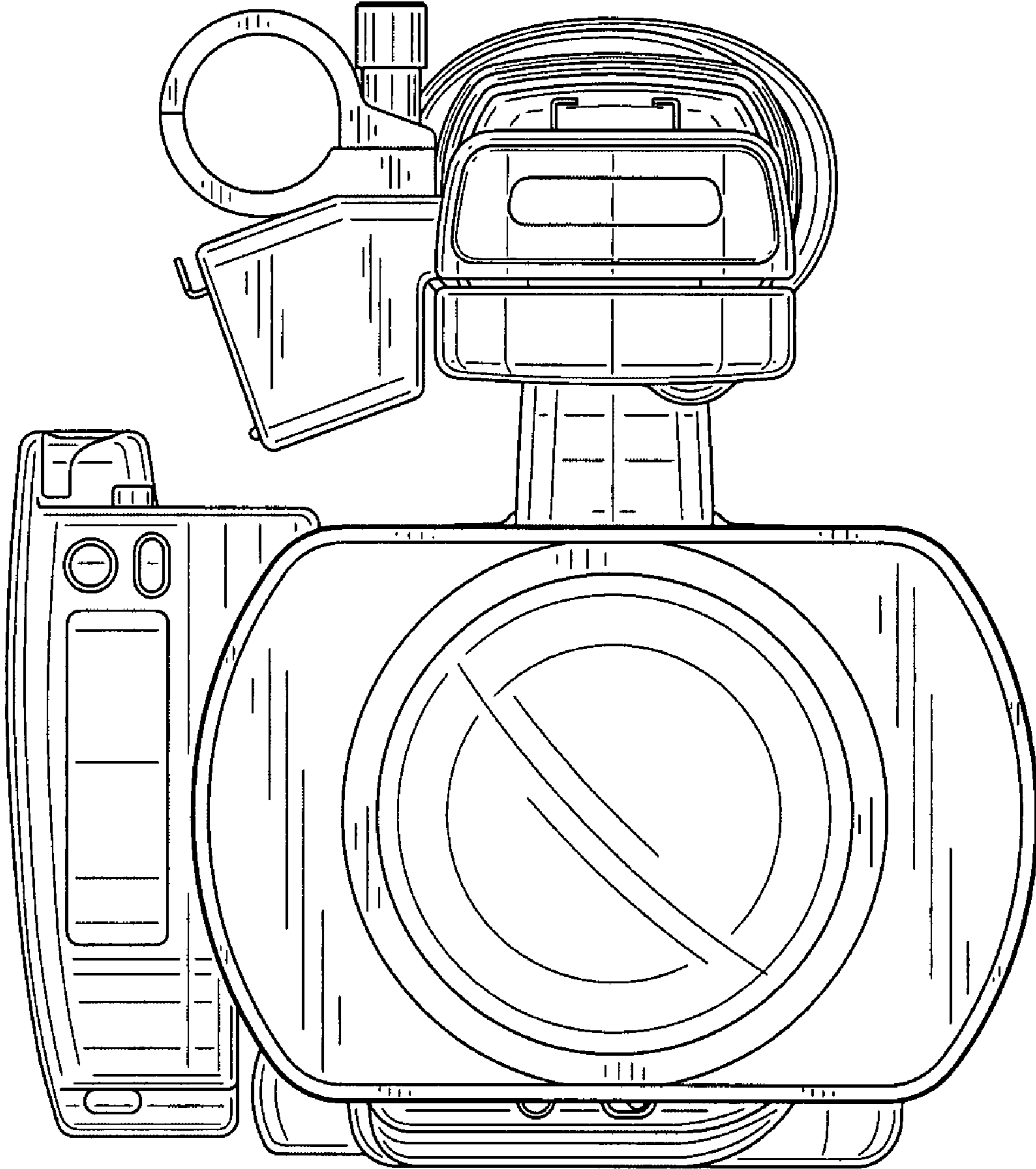


Fig.3

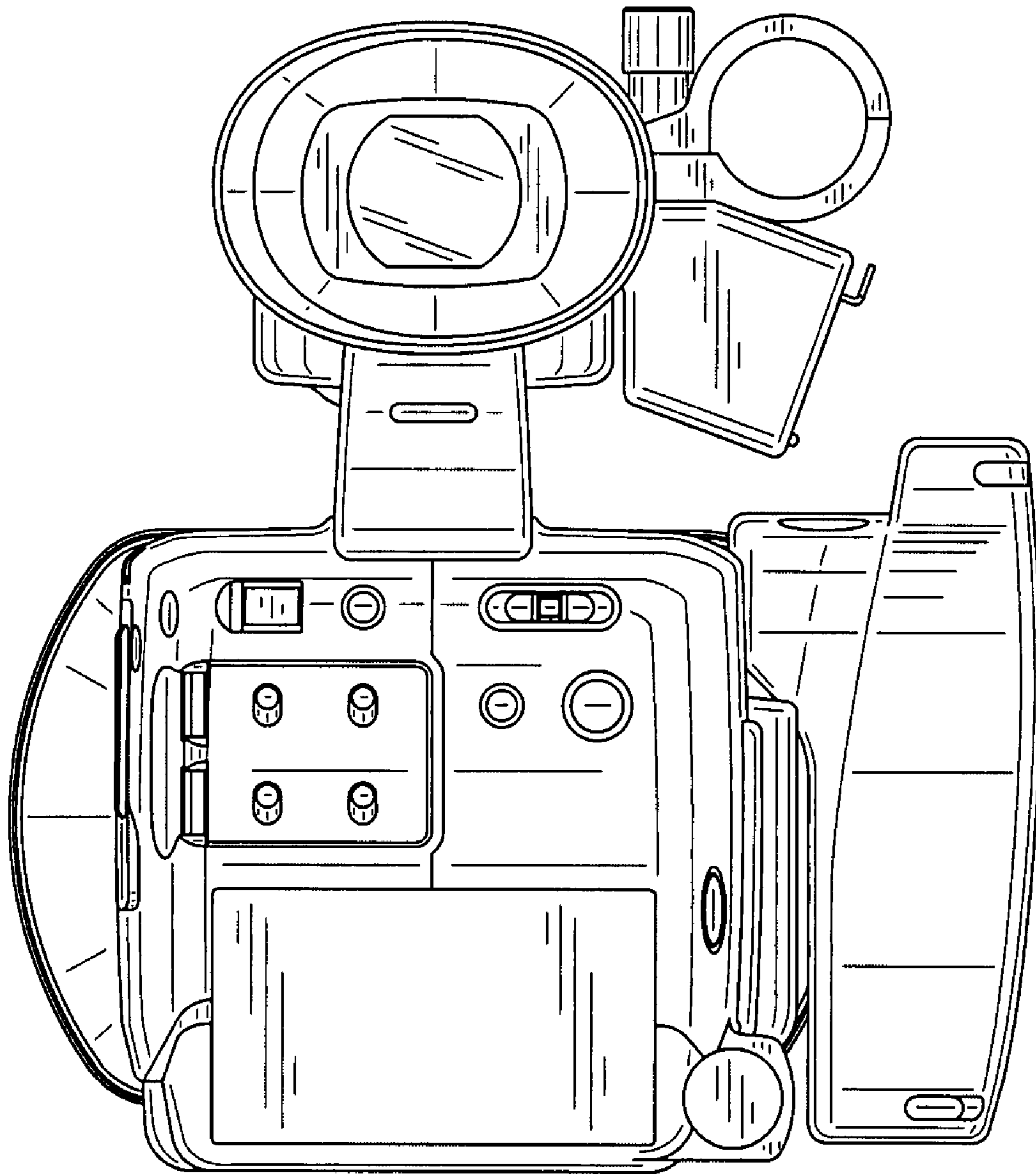


Fig.4

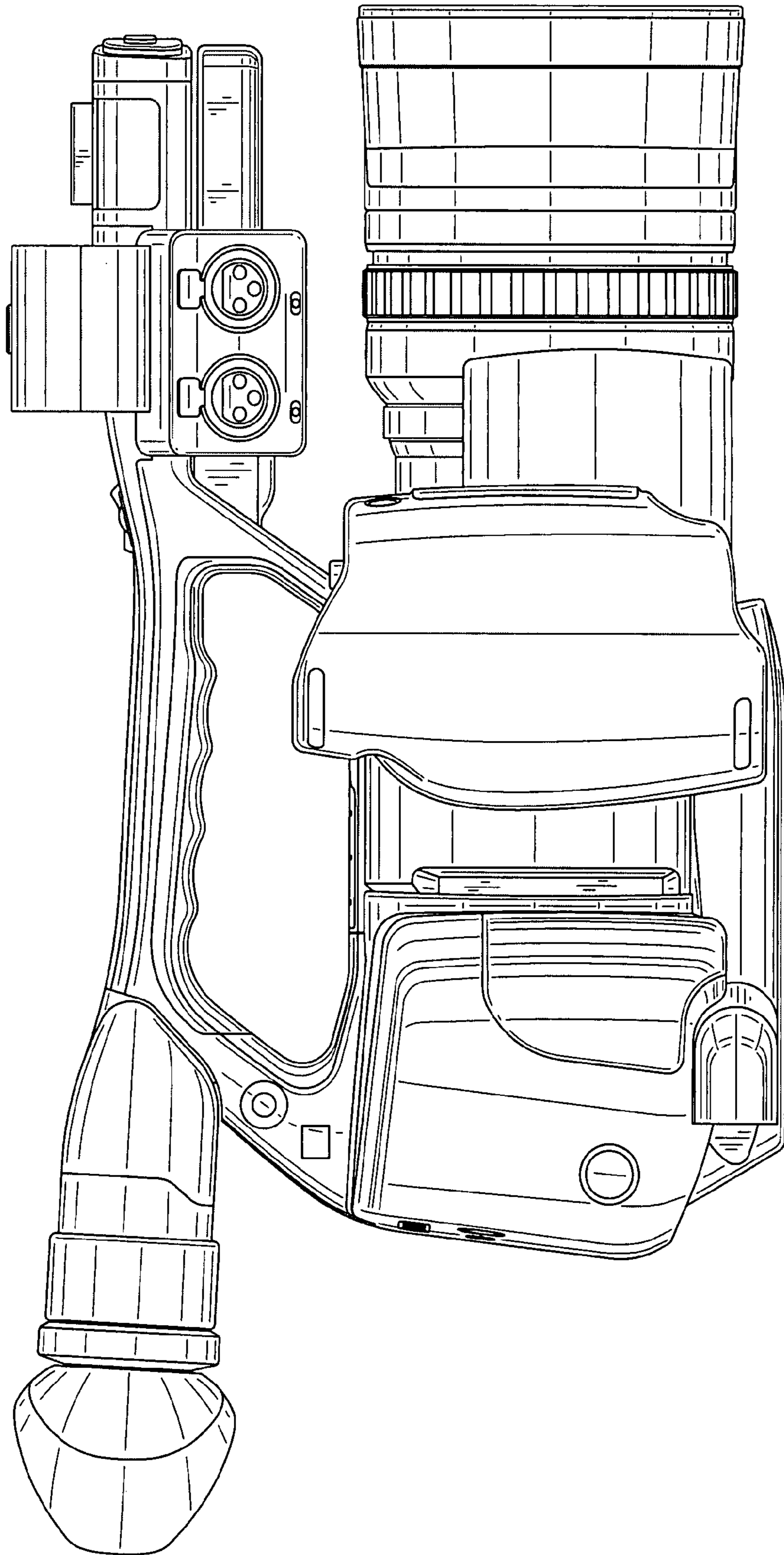


Fig.5

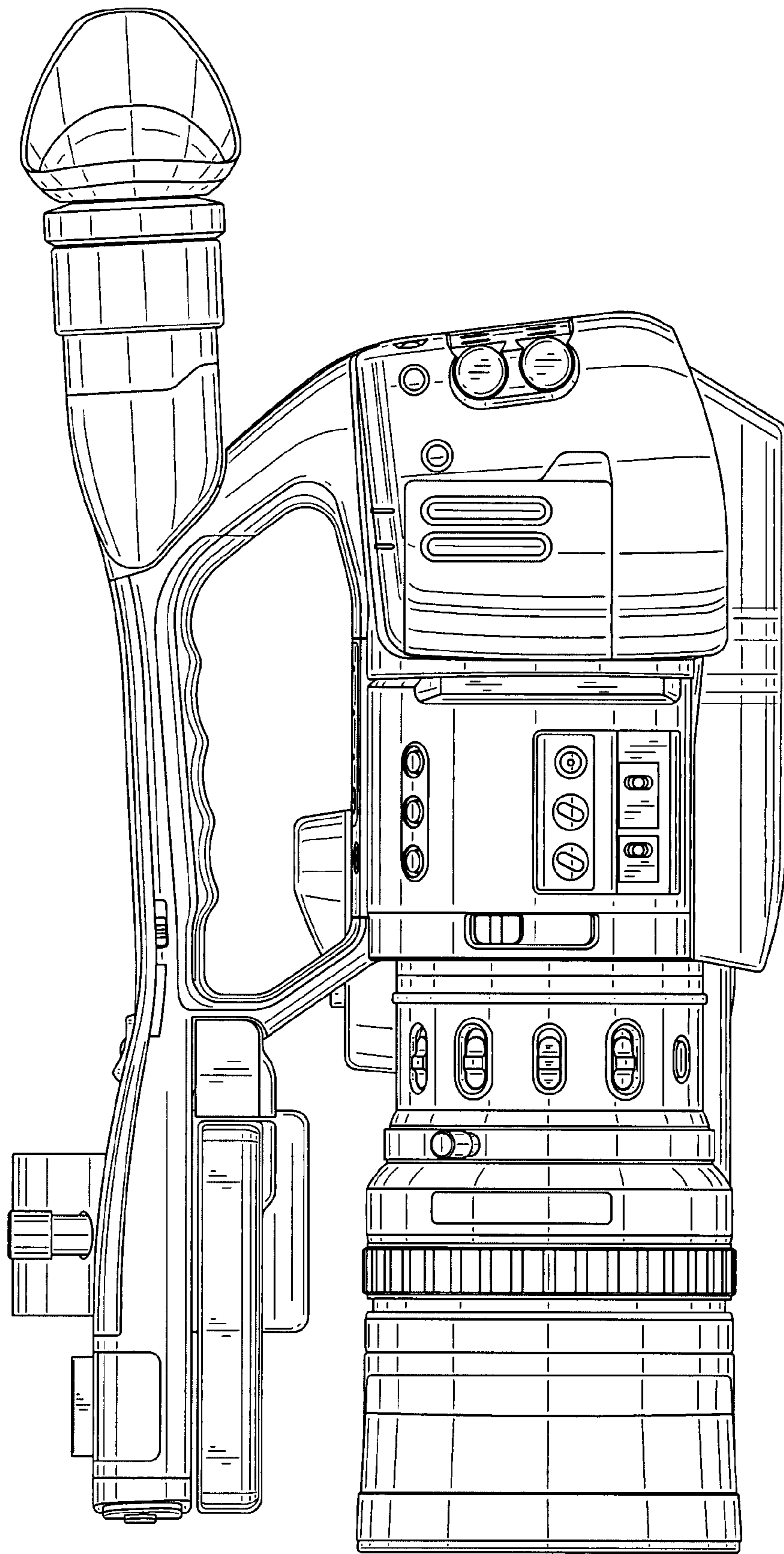


Fig.6

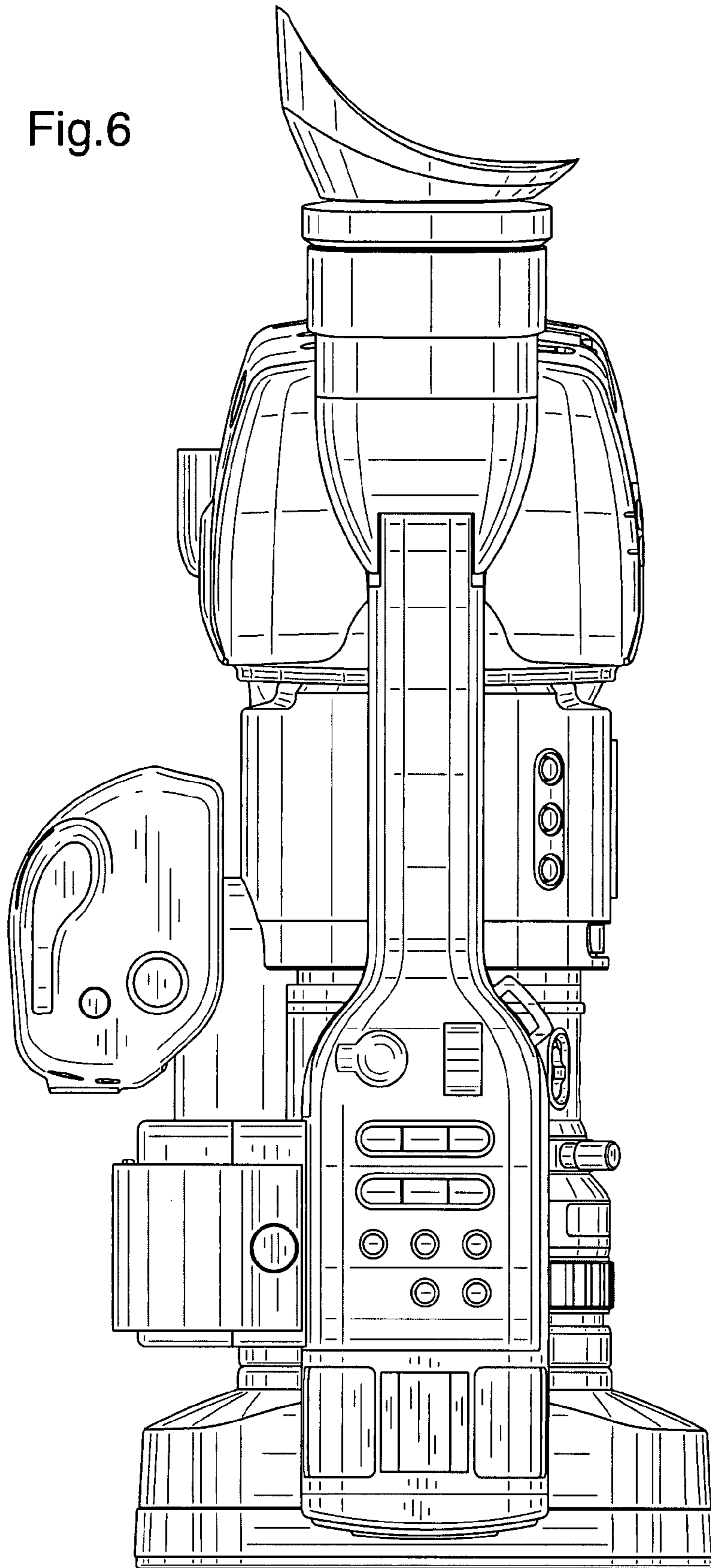


Fig.7

