



US00D574024S

(12) **United States Design Patent**
Ceroll et al.

(10) **Patent No.:** **US D574,024 S**
(45) **Date of Patent:** **** Jul. 29, 2008**

(54) **TELESCOPING RAILS FOR A TABLE SAW**

(75) Inventors: **Warren A. Ceroll**, Owings Mills, MD (US); **Robert S. Gehret**, Hampstead, MD (US); **Daniel Puzio**, Baltimore, MD (US); **Frederick R. Bean**, Finksburg, MD (US); **Michael L. O'Banion**, Westminster, MD (US); **David A. Porter**, Hanover, PA (US); **Daniel A. Ferrara, Jr.**, Bantam, CT (US)

(73) Assignee: **Black & Decker Inc.**, Newark, DE (US)

(**) Term: **14 Years**

(21) Appl. No.: **29/262,622**

(22) Filed: **Jul. 7, 2006**

Related U.S. Application Data

(63) Continuation of application No. 29/225,400, filed on Mar. 15, 2005, now Pat. No. Des. 526,668, which is a continuation of application No. 29/204,050, filed on Apr. 23, 2004, now Pat. No. Des. 507,286, which is a continuation of application No. 29/182,798, filed on Jun. 2, 2003, now Pat. No. Des. 492,707, which is a continuation of application No. 29/166,880, filed on Sep. 5, 2002, now Pat. No. Des. 478,917, which is a continuation of application No. 29/153,581, filed on Jan. 9, 2002, now Pat. No. Des. 466,913, which is a continuation of application No. 29/140,610, filed on Apr. 20, 2001, now Pat. No. Des. 458,281, which is a continuation of application No. 29/126,986, filed on Jul. 27, 2000, now Pat. No. Des. 444,485, which is a continuation of application No. 29/118,568, filed on Feb. 9, 2000, now Pat. No. Des. 445,119, which is a continuation of application No. 29/105,292, filed on May 21, 1999, now Pat. No. Des. 425,918, which is a continuation of application No. 29/096,838, filed on Nov. 20, 1998, now Pat. No. Des. 414,786, which is a continuation of application No. 29/090,751, filed on Jul. 15, 1998, now Pat. No. Des. 407,725, which is a continuation of application No. 29/083,053, filed on Jan. 20, 1998, now Pat. No. Des. 410,474, which is a

continuation of application No. 29/070,477, filed on May 8, 1997, now Pat. No. Des. 395,322, which is a continuation of application No. 29/057,853, filed on Aug. 1, 1996, now Pat. No. Des. 394,071, which is a continuation of application No. 29/051,851, filed on Mar. 1, 1996, now abandoned.

(51) **LOC (8) Cl.** **15-09**
(52) **U.S. Cl.** **D15/133**
(58) **Field of Classification Search** D15/133;
83/432, 435, 477, 477.2, 478, 522.3, 522.1;
269/318, 165, 180
See application file for complete search history.

(56) **References Cited**

U.S. PATENT DOCUMENTS

5,116,249 A * 5/1992 Shiotani et al. 83/435.14
5,230,269 A * 7/1993 Shiotani et al. 83/468.7
D354,757 S * 1/1995 Wixey D15/133

* cited by examiner

Primary Examiner—Antoine D. Davis

(74) *Attorney, Agent, or Firm*—Adan Ayala

(57) **CLAIM**

The ornamental design for portions of a table saw, as shown and described.

DESCRIPTION

FIG. 1 is a front elevational view of a first embodiment of portions of a table saw showing our new design.

FIG. 2 is a right side elevational of the first embodiment.

FIG. 3 is a left side elevational view of the first embodiment.

FIG. 4 is a front perspective view from the left side of the first embodiment.

FIG. 5 is a front perspective view from the left side of the first embodiment; and,

FIG. 6 is a top plan view of the first embodiment.

In the above drawings, any broken line illustration is not part of the design sought to be patented.

1 Claim, 6 Drawing Sheets

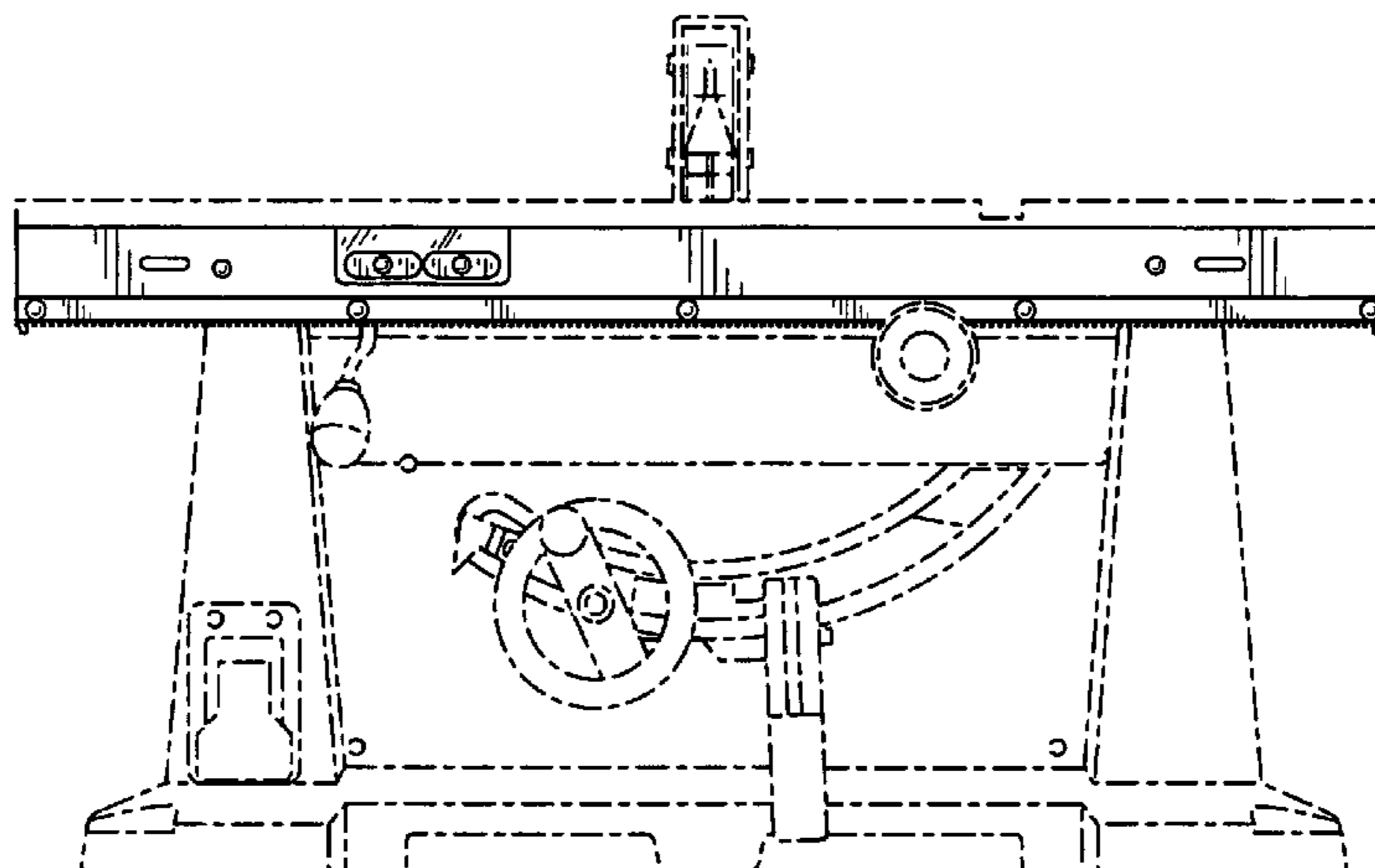


FIG. 1

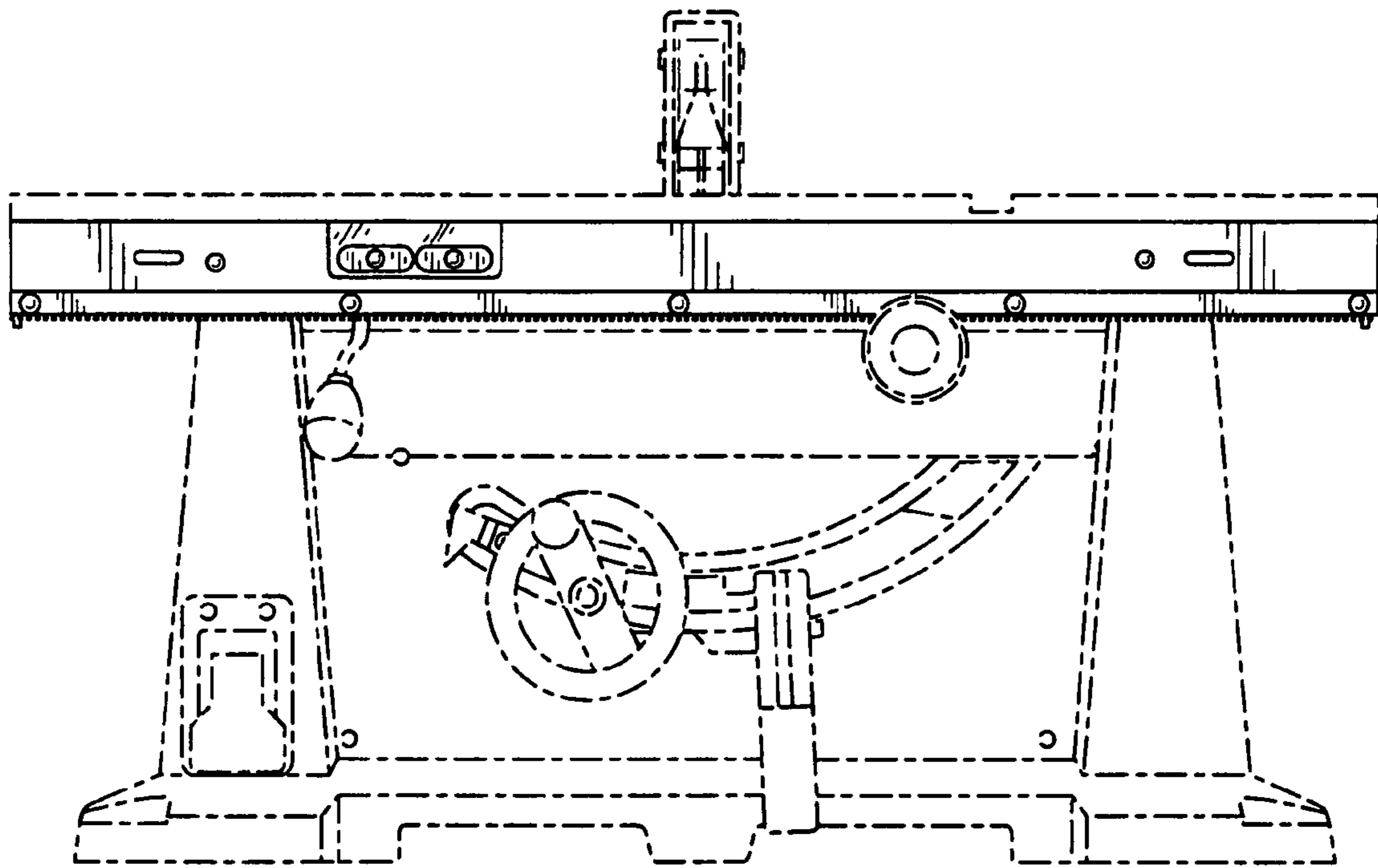


FIG. 2

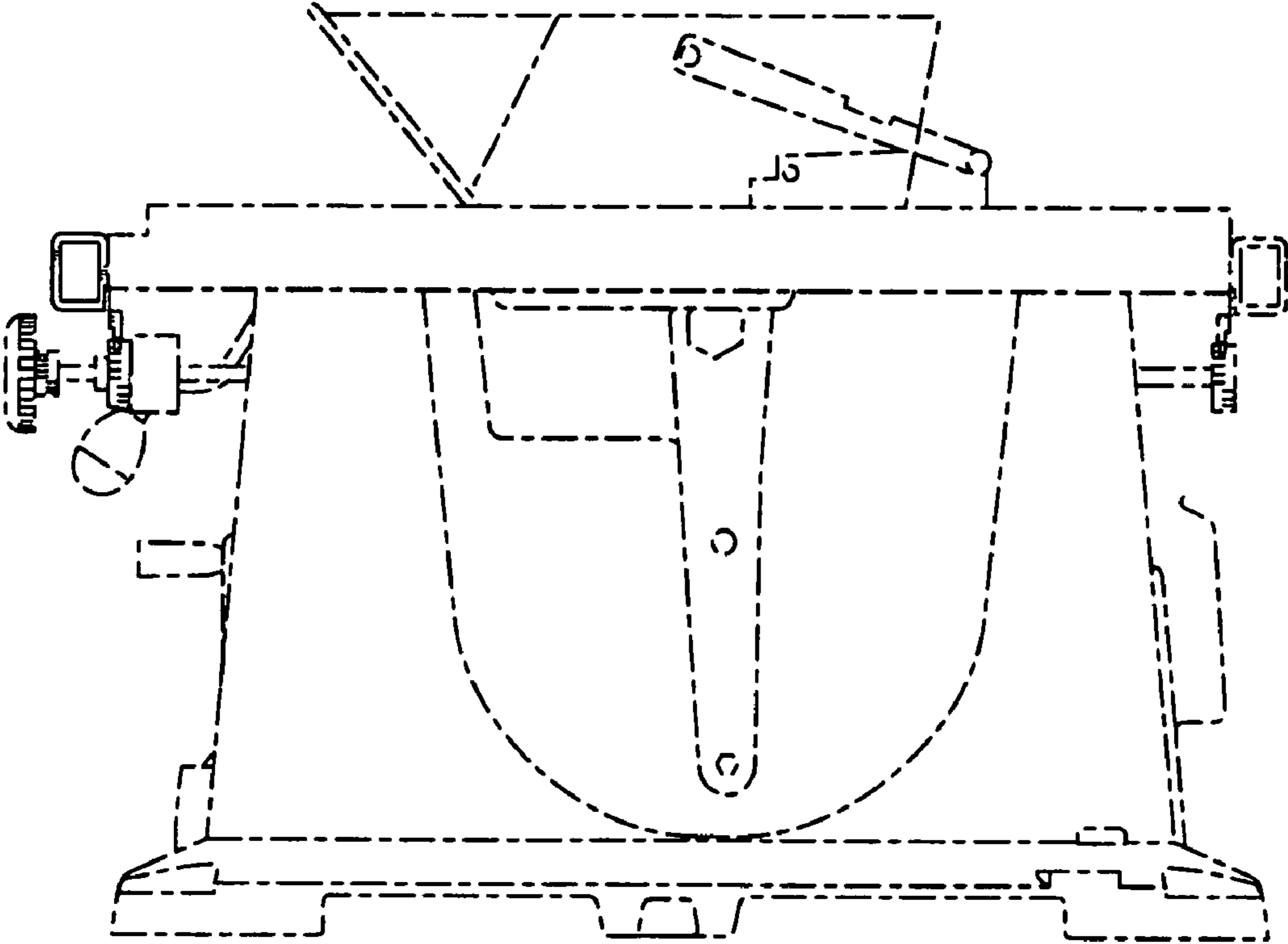


FIG. 3

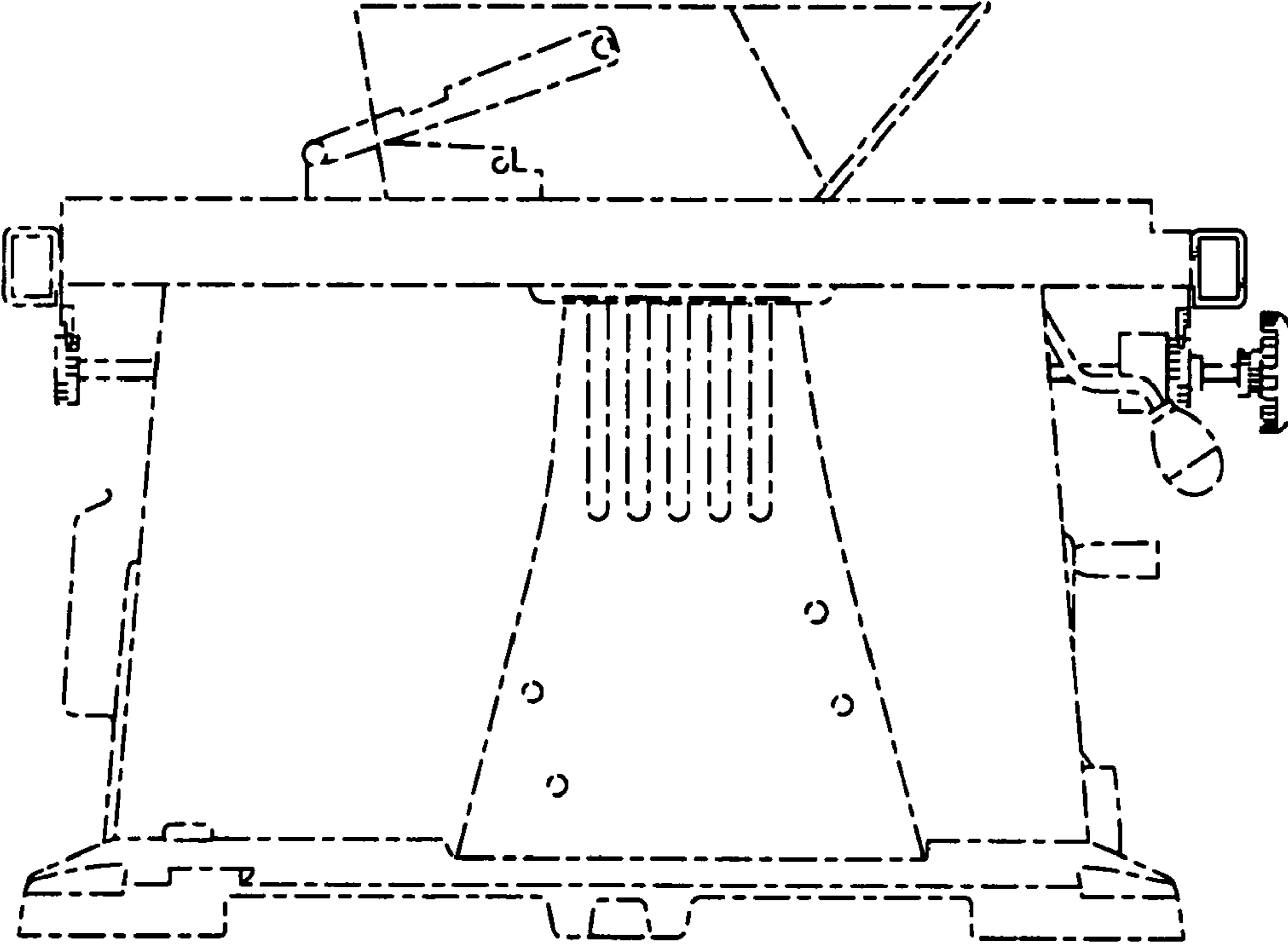


FIG. 4

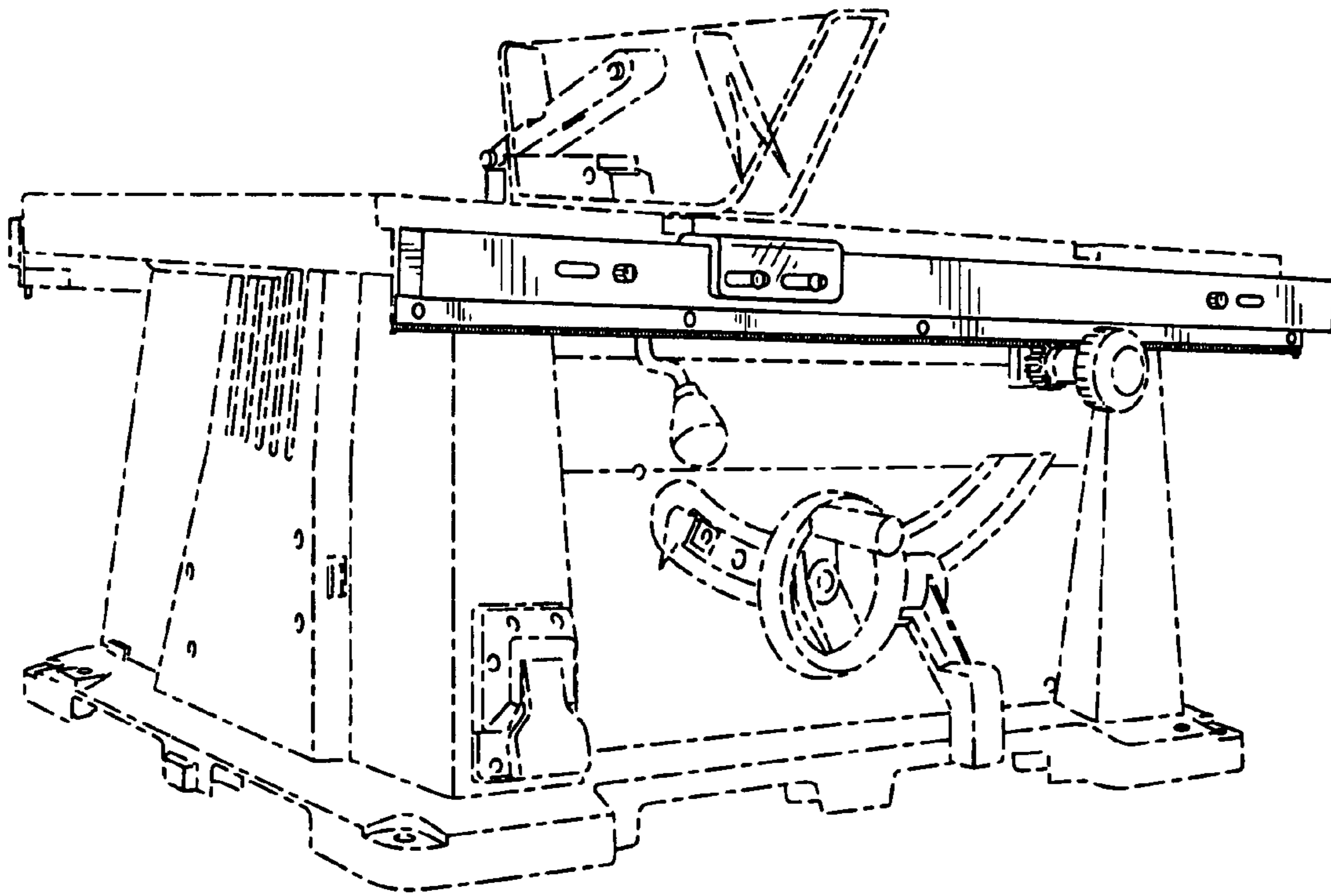


FIG. 5

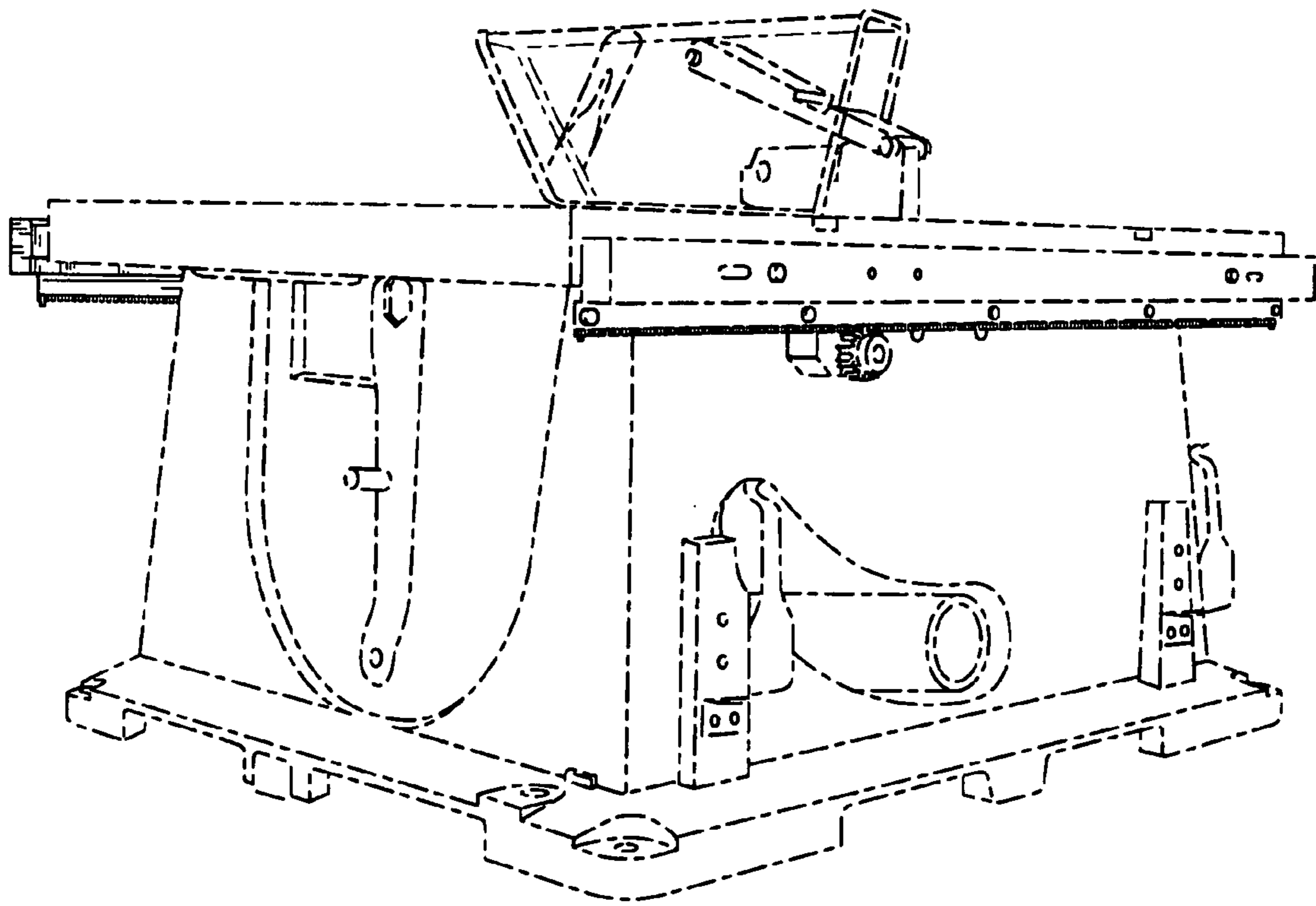


FIG. 6

