



US00D574018S

(12) **United States Design Patent**  
**Yamamoto**

(10) **Patent No.:** **US D574,018 S**  
(45) **Date of Patent:** **\*\* Jul. 29, 2008**

(54) **COMPRESSOR**

(75) Inventor: **Kunihiro Yamamoto**, Tokyo (JP)

(73) Assignee: **Nitto Kohki Co., Ltd.**, Tokyo (JP)

(\*\*) Term: **14 Years**

(21) Appl. No.: **29/282,738**

(22) Filed: **Jul. 27, 2007**

(30) **Foreign Application Priority Data**

Jan. 30, 2007 (JP) ..... 2007-001758

(51) **LOC (8) Cl.** ..... **15-02**

(52) **U.S. Cl.** ..... **D15/9**

(58) **Field of Classification Search** ..... D15/7-9;  
D23/231, 232; 417/410.1, 359, 415-416,  
417/234, 321, 265, 405

See application file for complete search history.

(56) **References Cited**

**U.S. PATENT DOCUMENTS**

D273,586 S \* 4/1984 Hodgson ..... D15/7  
D414,500 S 9/1999 Davis et al.  
D453,939 S 2/2002 Ochiai

D470,864 S 2/2003 Shibukawa et al.  
D486,501 S \* 2/2004 Hawkins et al. .... D15/7  
D512,441 S \* 12/2005 Iwata ..... D15/7  
D557,708 S \* 12/2007 Carpenter et al. .... D15/7

**FOREIGN PATENT DOCUMENTS**

JP D694253 12/1986  
JP D1146915 7/2002

\* cited by examiner

*Primary Examiner*—R. Seifert

(74) *Attorney, Agent, or Firm*—Brinks Hofer Gilson & Lione

(57) **CLAIM**

I claim the ornamental design for a compressor, as shown and described.

**DESCRIPTION**

FIG. 1 is a front view of a compressor of the present invention;  
FIG. 2 is a rear view thereof;  
FIG. 3 is a top view thereof;  
FIG. 4 is a bottom view thereof;  
FIG. 5 is a first side view thereof; and,  
FIG. 6 is a second side view thereof.

**1 Claim, 6 Drawing Sheets**

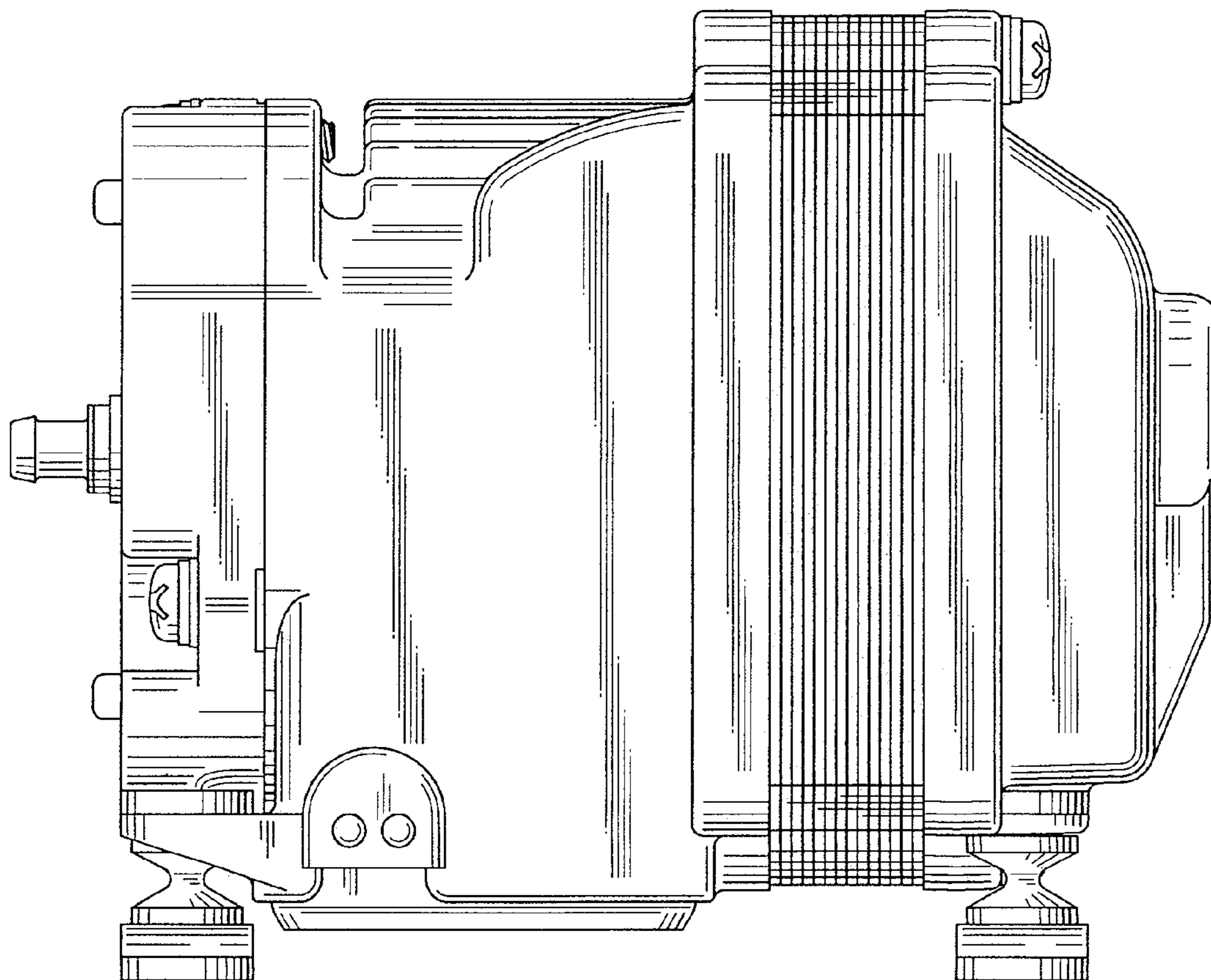


FIG.1

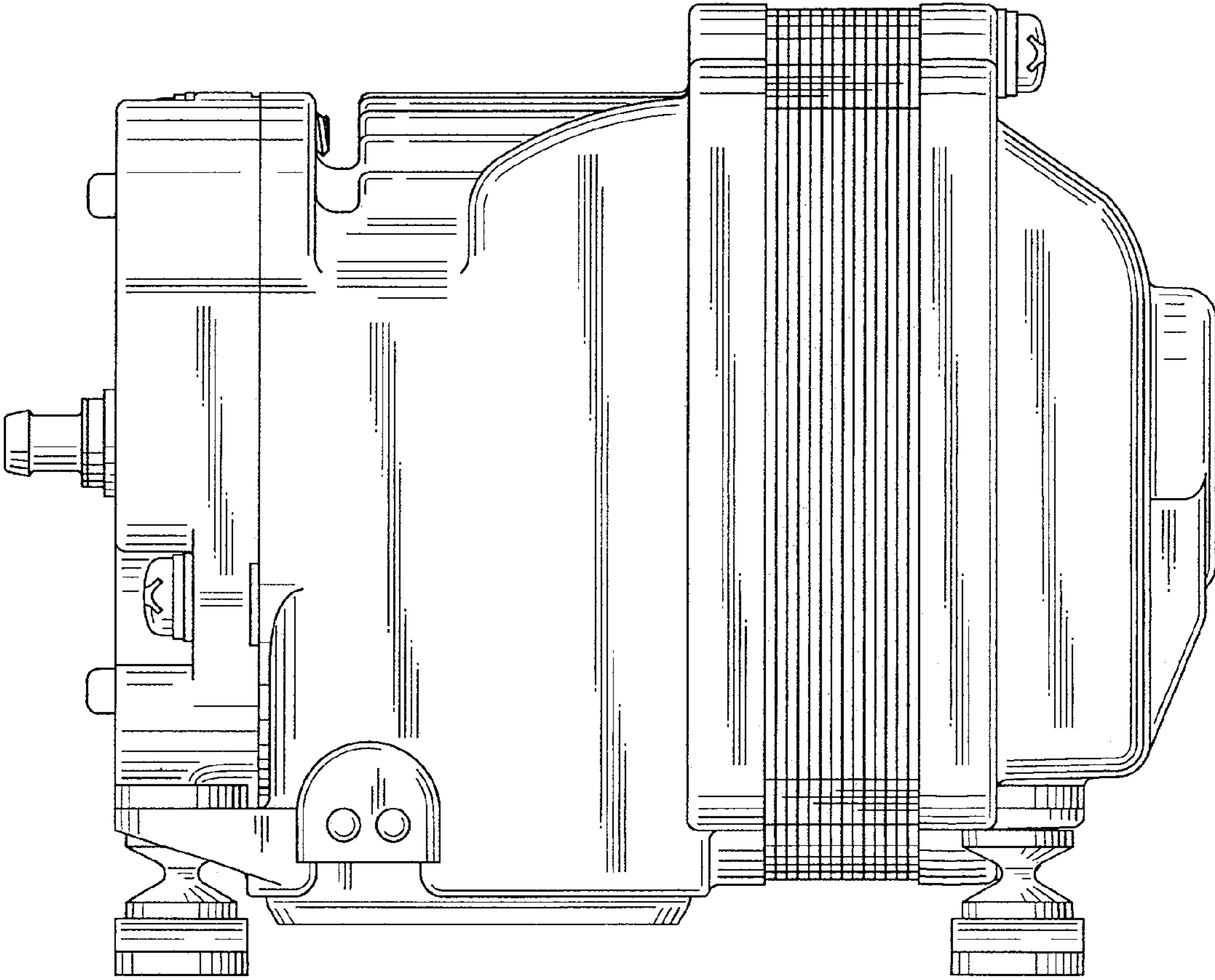


FIG.2

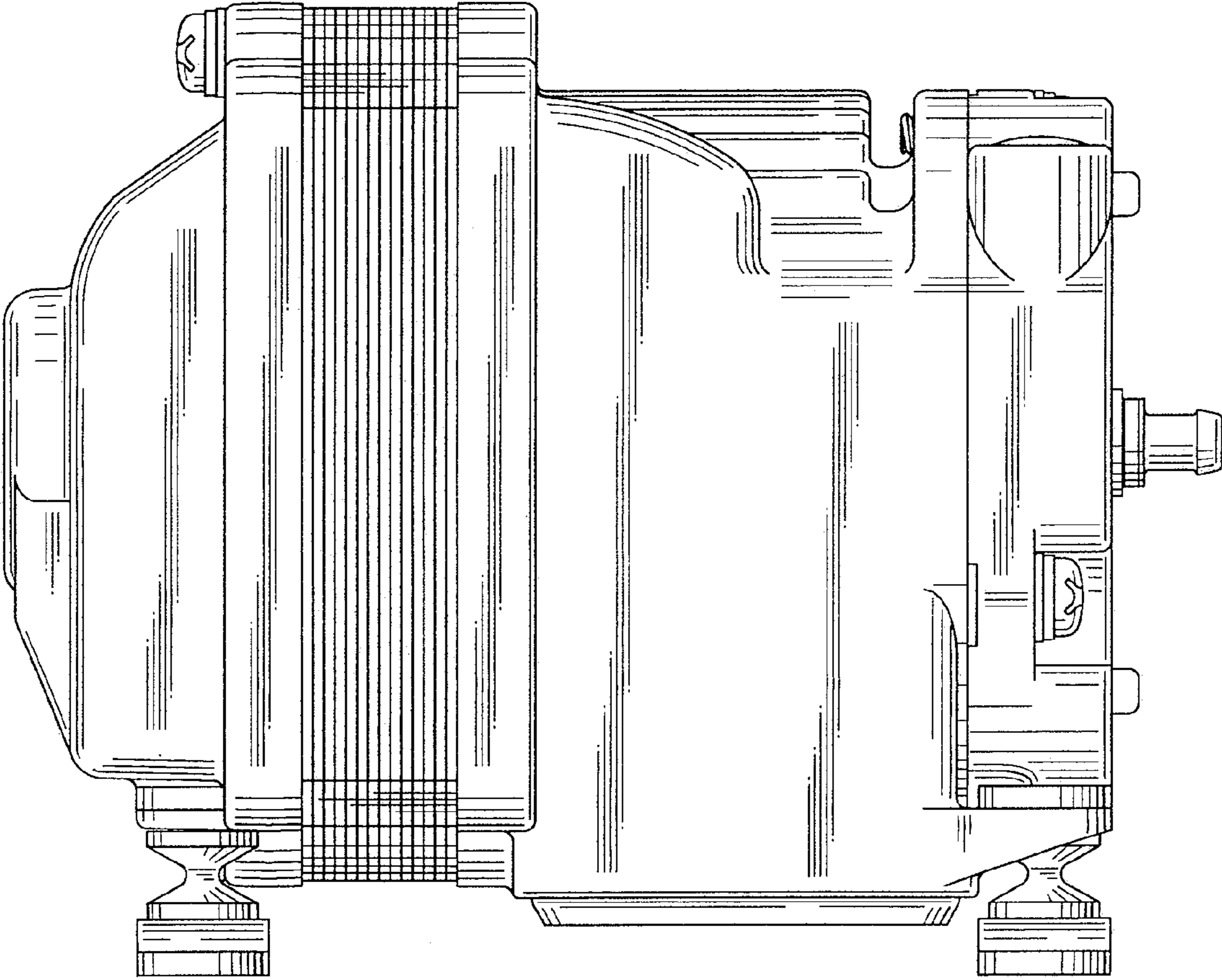


FIG.3

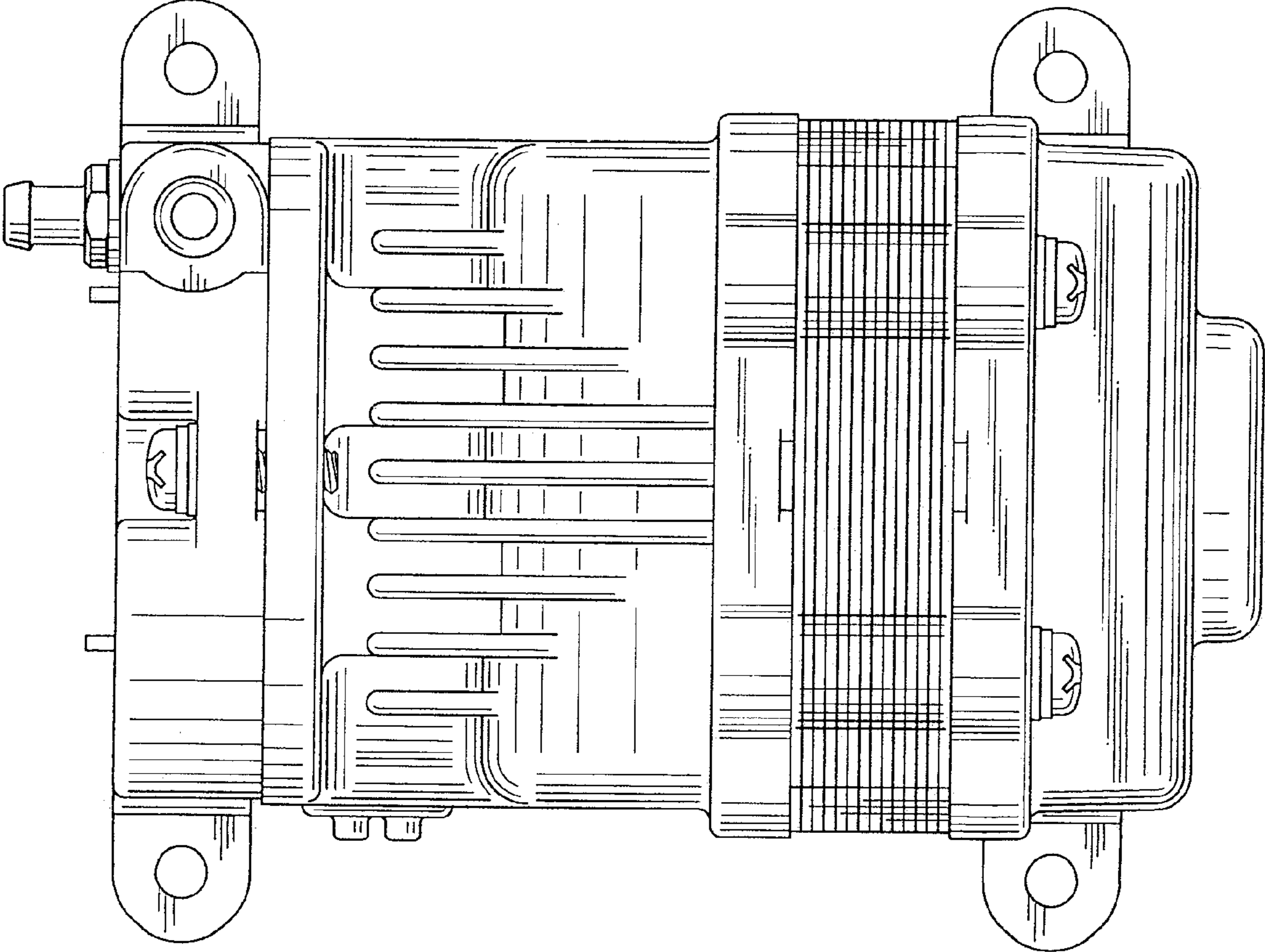


FIG.4

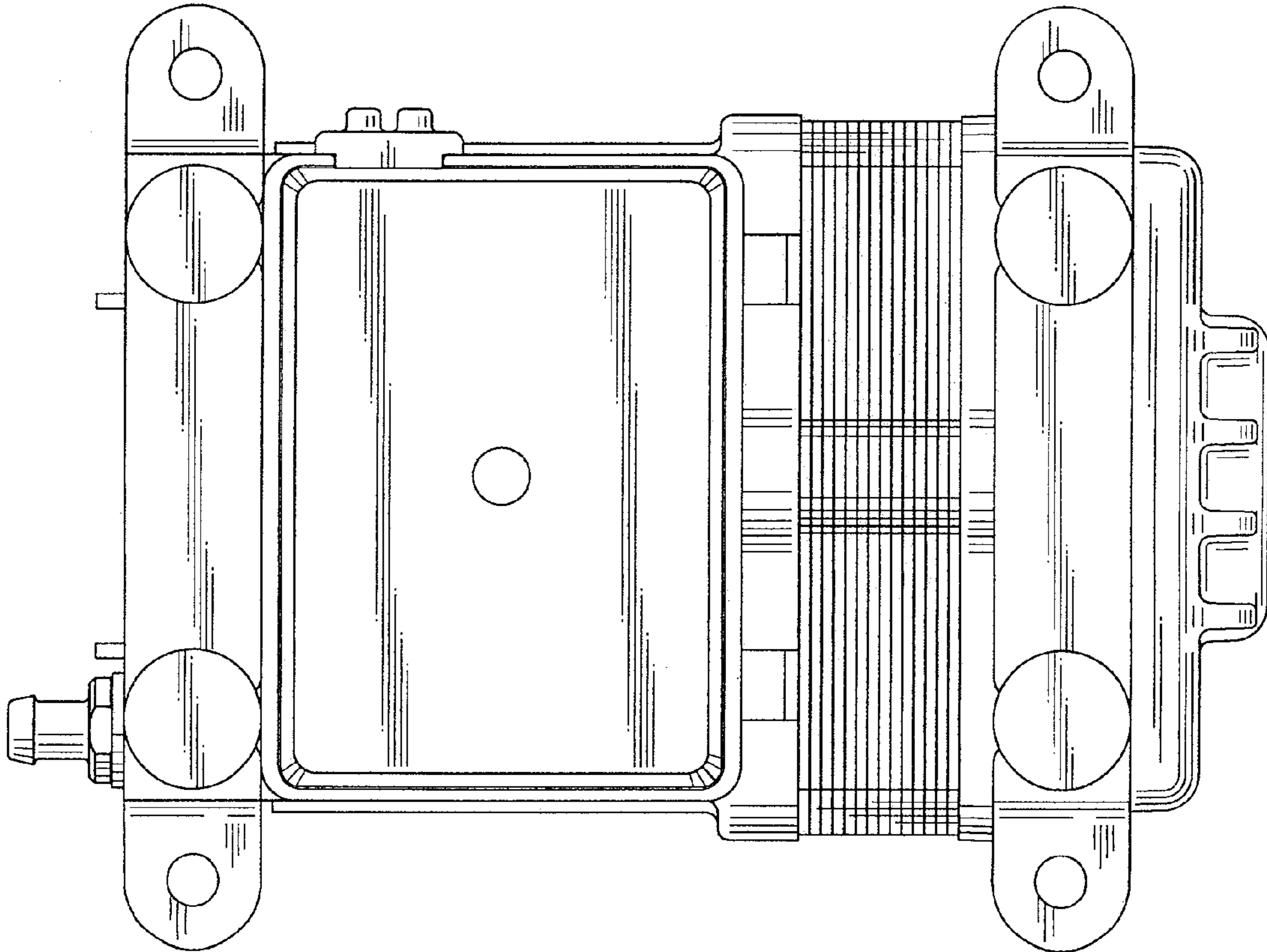


FIG. 5

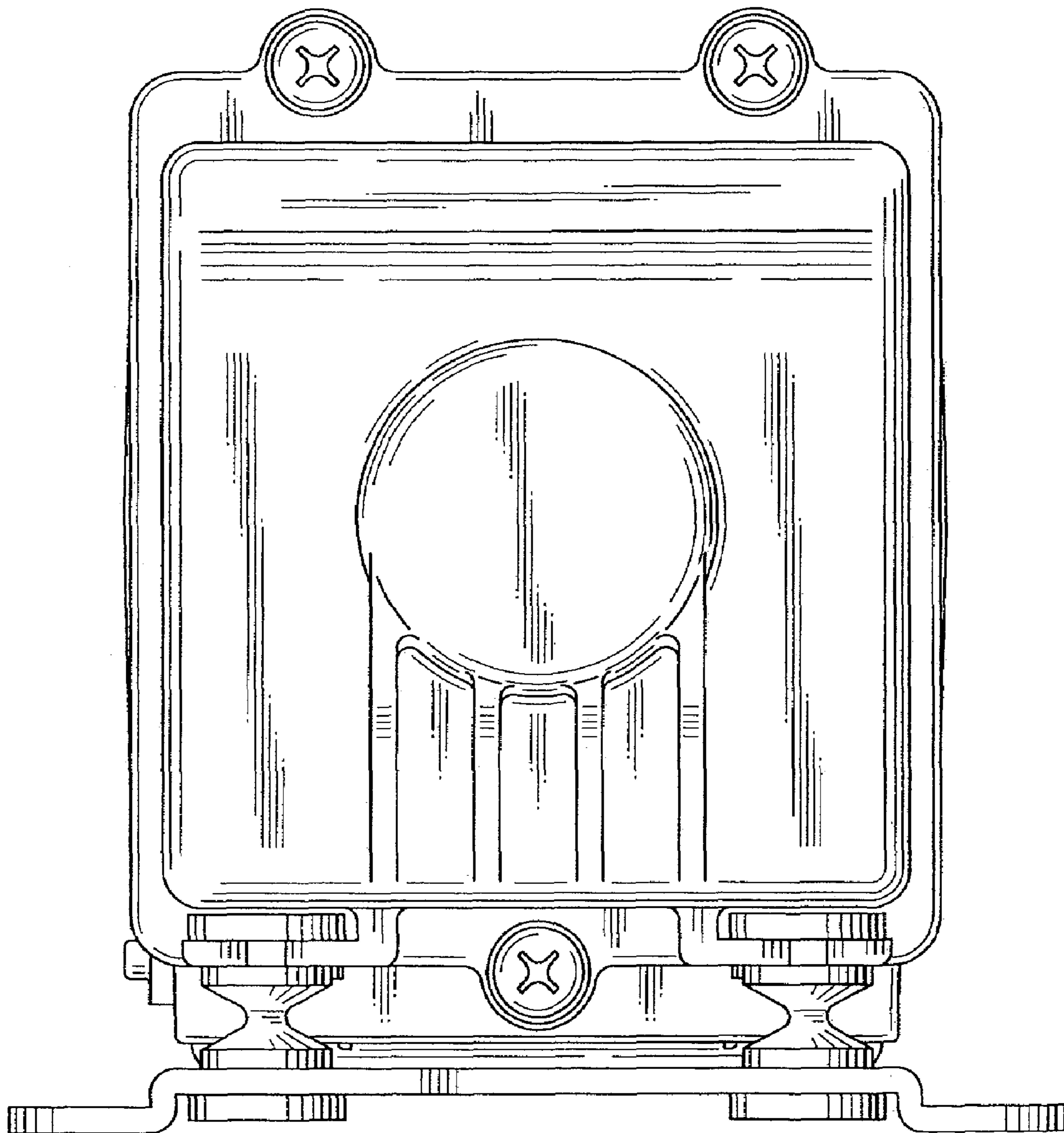


FIG. 6

