



US00D574017S

(12) **United States Design Patent**
Hernandez, Jr. et al.

(10) **Patent No.:** **US D574,017 S**
(45) **Date of Patent:** **** Jul. 29, 2008**

(54) **AIR COMPRESSOR**

D498,483 S * 11/2004 Chen D15/9
D550,721 S * 9/2007 Tanaka et al. D15/9
D559,865 S * 1/2008 Wise D15/7

(75) Inventors: **Hector Ray Hernandez, Jr.**, Fullerton,
CA (US); **Vincent W. Caito**, Pomona,
CA (US)

* cited by examiner

(73) Assignee: **Alltrade Tools LLC**, Long Beach, CA
(US)

Primary Examiner—R. Seifert

(74) *Attorney, Agent, or Firm*—Fulwider Patton LLP

(**) Term: **14 Years**

(57) **CLAIM**

(21) Appl. No.: **29/280,088**

The ornamental design for an air compressor, as shown and described.

(22) Filed: **May 16, 2007**

DESCRIPTION

(51) **LOC (8) Cl.** **15-02**

FIG. 1 is a perspective view from above of an air compressor showing our new design;

(52) **U.S. Cl.** **D15/9**

FIG. 2 is a top plan view thereof;

(58) **Field of Classification Search** D15/7-9;
D23/231, 232, 225; 417/410.1, 359, 415-416,
417/234, 321, 265, 405

FIG. 3 is a right elevational side view thereof; the left elevational side view is the same as the right side view; and,

See application file for complete search history.

FIG. 4. is a front elevational side view thereof; the back elevational side view is the same as the front side view.

(56) **References Cited**

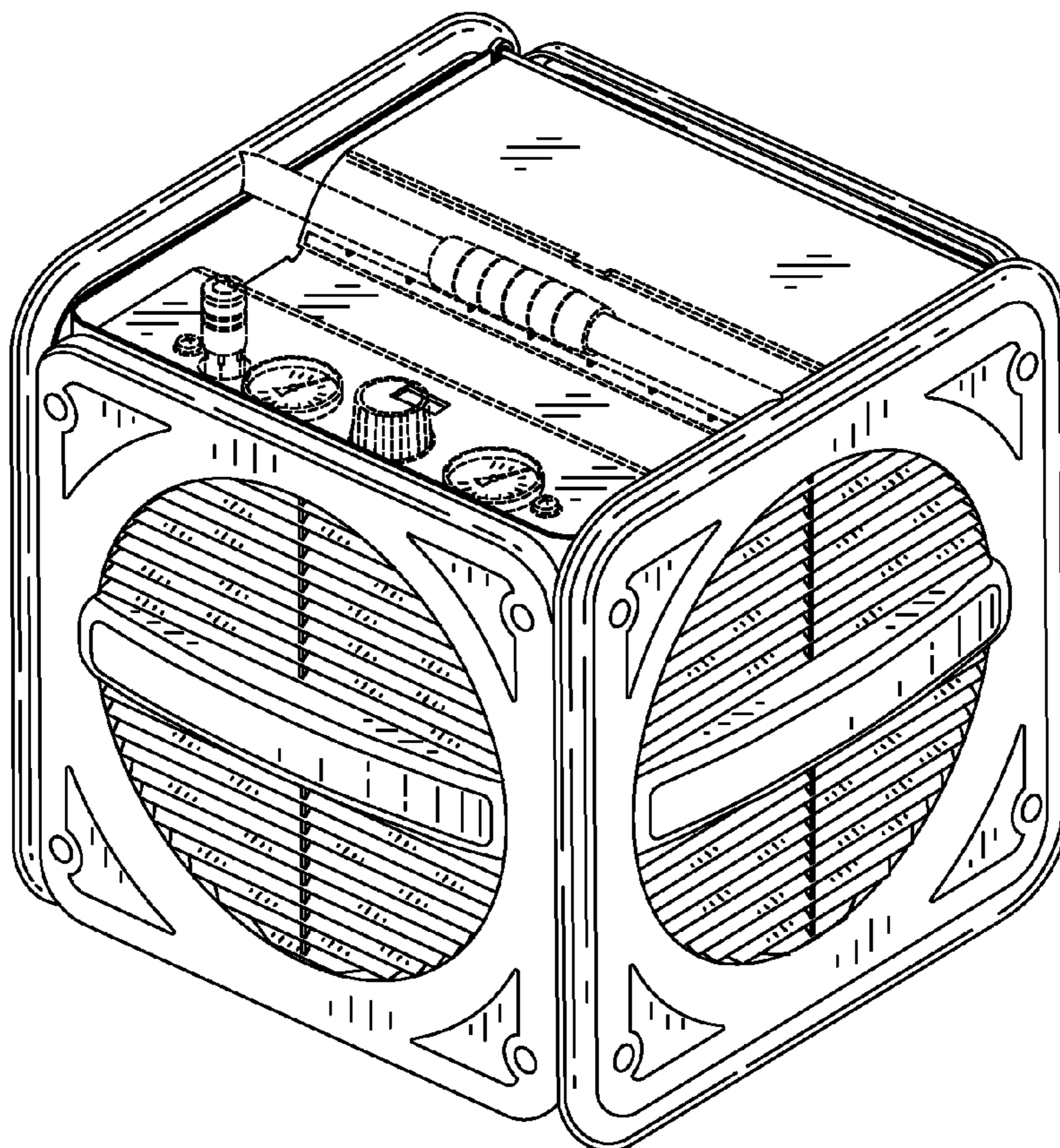
The portions indicated with a broken line are for illustrative purposes only, and form no part of the claimed design.

U.S. PATENT DOCUMENTS

The bottom view of the air compressor is not shown in the drawings and forms no part of the claimed design.

3,264,999	A	*	8/1966	Tutthill	417/423.3
D345,740	S	*	4/1994	Clark	D15/9
D404,400	S	*	1/1999	Wang	D15/7
D445,804	S	*	7/2001	Tsai	D15/7
D454,886	S	*	3/2002	Ohya	D15/7

1 Claim, 2 Drawing Sheets



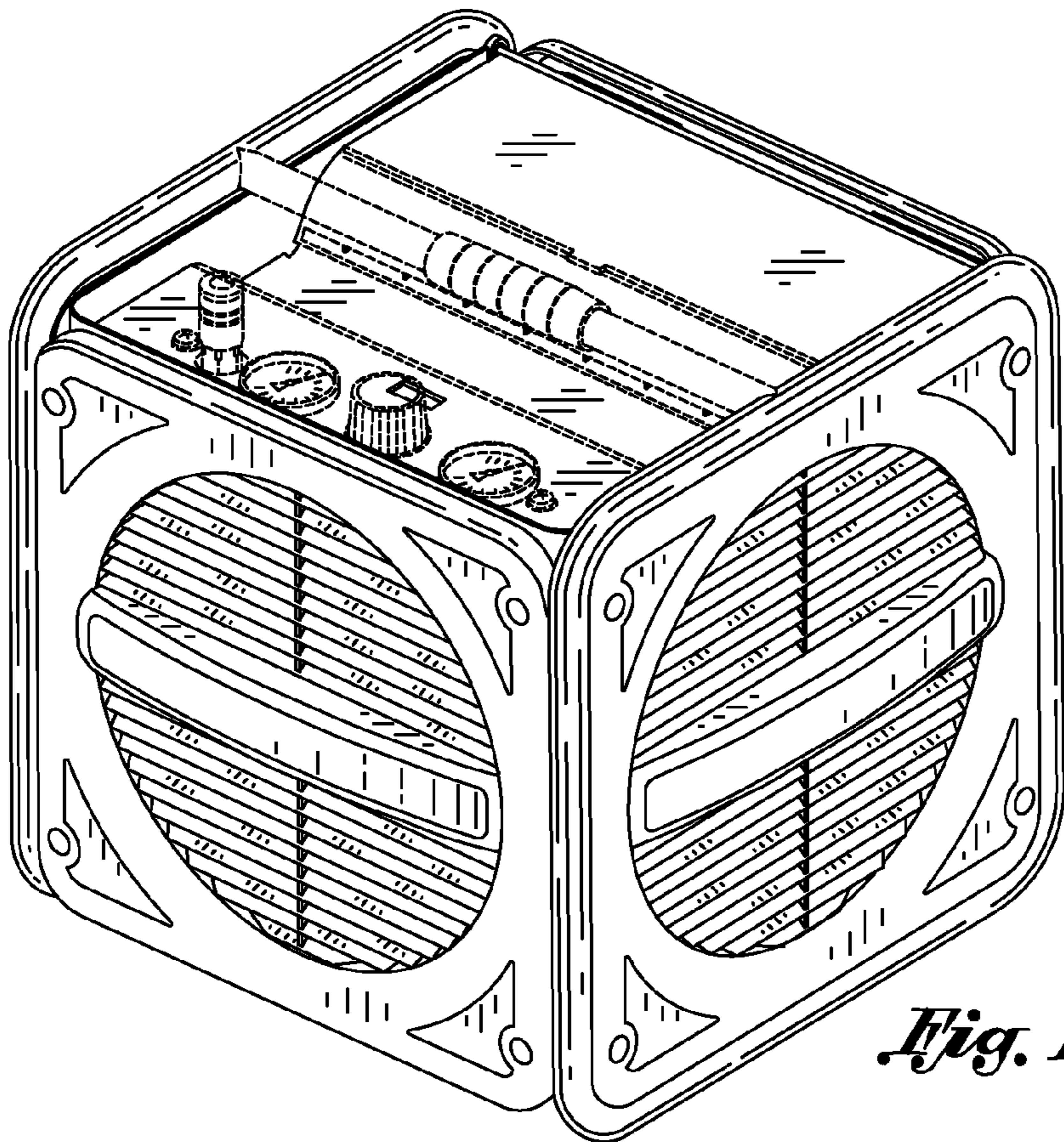


Fig. 1

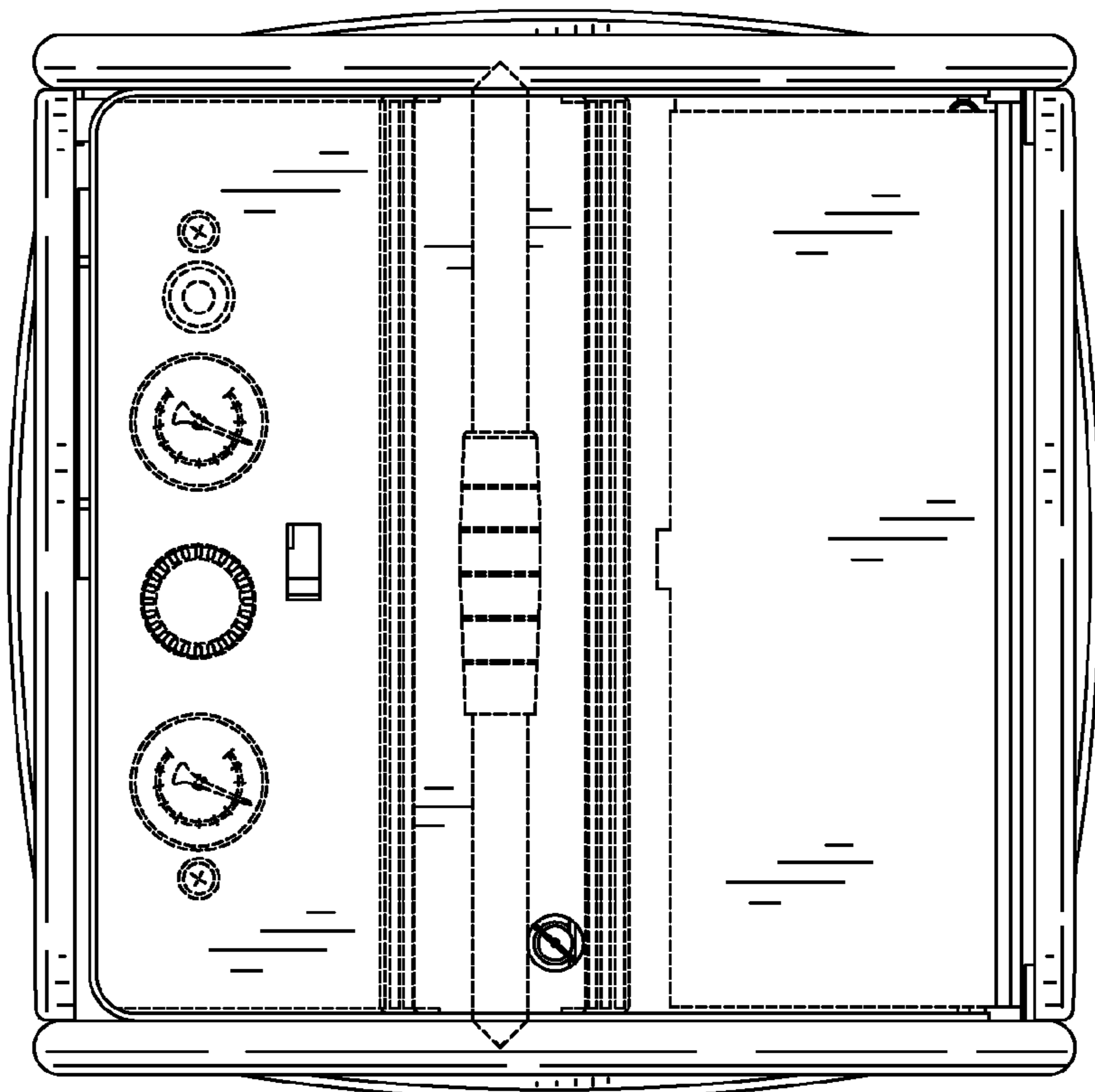


Fig. 2

Fig. 3

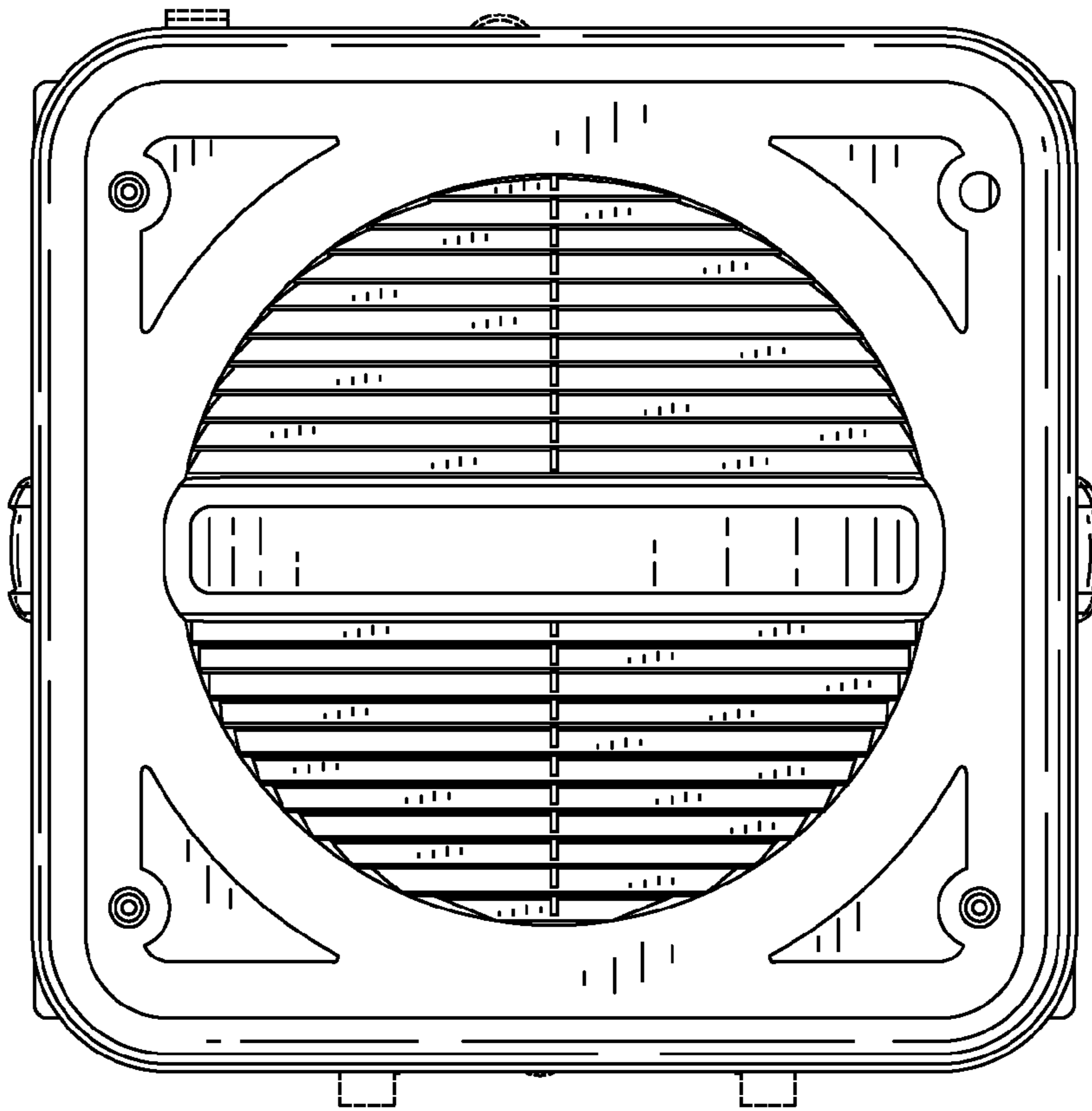


Fig. 4

