



US00D574016S

(12) **United States Design Patent**  
**Yodfat et al.**

(10) **Patent No.:** **US D574,016 S**  
(45) **Date of Patent:** **\*\* Jul. 29, 2008**

(54) **RESERVOIR FOR AN INFUSION PUMP**

(75) Inventors: **Ofer Yodfat**, Maccabim-Reut (IL);  
**Avraham Neta**, Misgav (IL)

(73) Assignee: **Medingo Ltd.**, Yoqneam (IL)

(\*\*) Term: **14 Years**

(21) Appl. No.: **29/289,453**

(22) Filed: **Jul. 20, 2007**

(51) **LOC (8) Cl.** ..... **15-02**

(52) **U.S. Cl.** ..... **D15/7**

(58) **Field of Classification Search** ..... D15/7-9;  
D23/231, 232; 417/410.1, 359, 415-416,  
417/234, 321, 265, 405

See application file for complete search history.

(56) **References Cited**

**U.S. PATENT DOCUMENTS**

D487,277 S *	3/2004	Leach	.....	D15/7
D487,471 S *	3/2004	Rivera	.....	D15/7
D487,472 S *	3/2004	Leach	.....	D15/7

\* cited by examiner

*Primary Examiner*—R. Seifert

(74) *Attorney, Agent, or Firm*—Mintz, Levin, Cohn, Ferris,  
Glovsky and Popeo

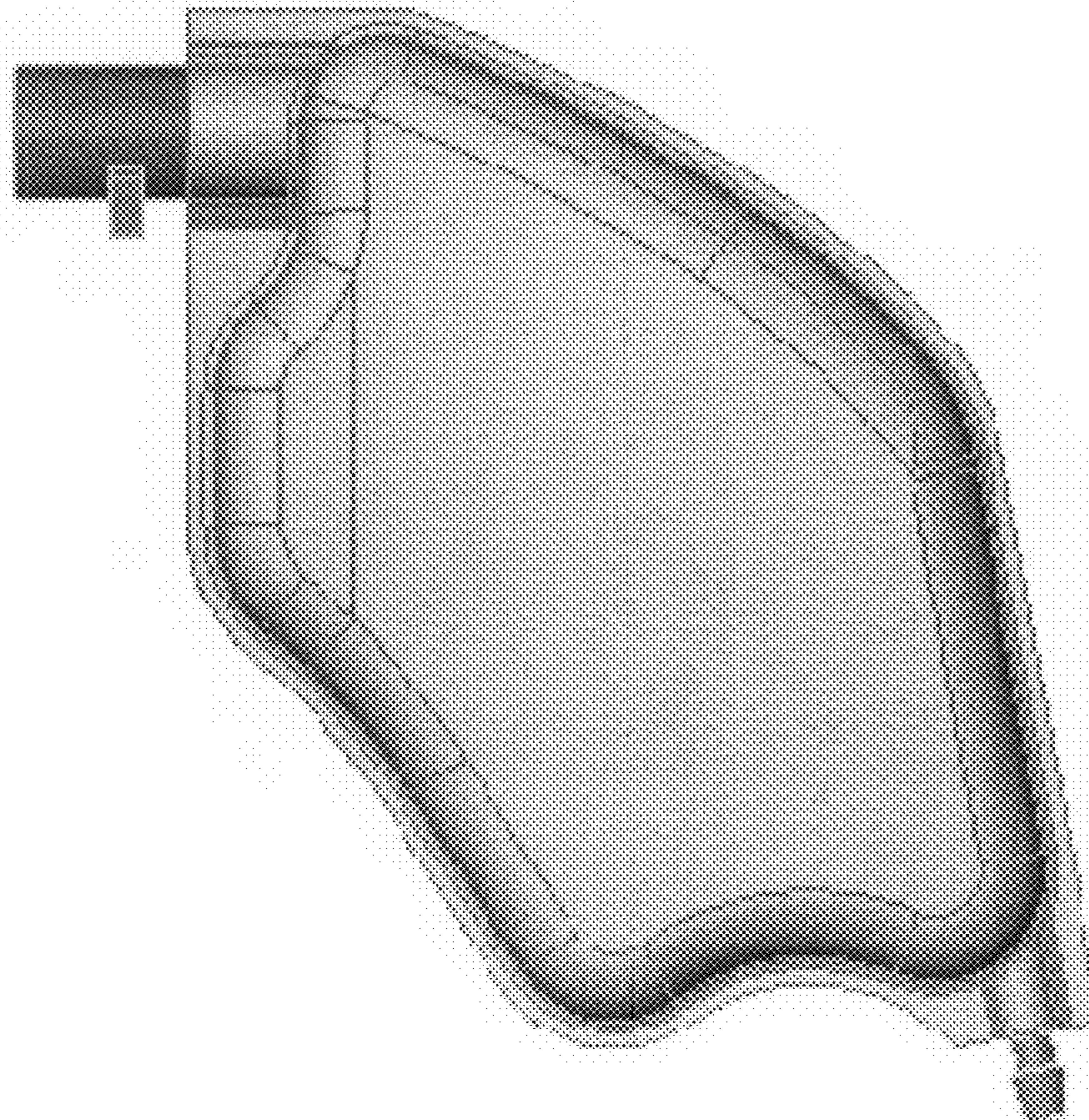
(57) **CLAIM**

The ornamental design for a reservoir for an infusion pump,  
as shown and described.

**DESCRIPTION**

FIG. 1 is a front side view of a reservoir for an infusion pump;  
FIG. 2 is a back side view of a reservoir for an infusion pump;  
FIG. 3 is a right side view of a reservoir for an infusion pump;  
FIG. 4 is a left side view of a reservoir for an infusion pump;  
FIG. 5 is a top view of a reservoir for an infusion pump;  
FIG. 6 is a bottom view of a reservoir for an infusion pump;  
FIG. 7 is a first isometric view of a reservoir for an infusion  
pump;  
FIG. 8 is a second isometric view of a reservoir for an infusion  
pump; and,  
FIG. 9 is a third isometric view of a reservoir for an infusion  
pump.

**1 Claim, 4 Drawing Sheets**





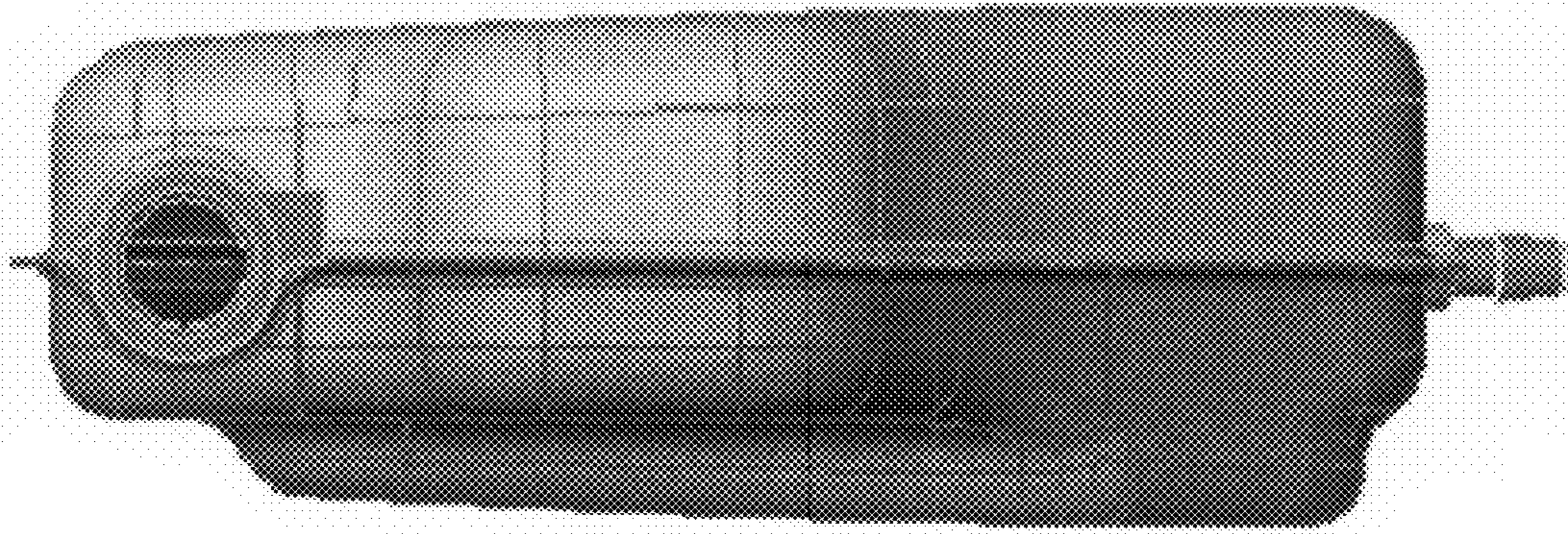


Figure 1.

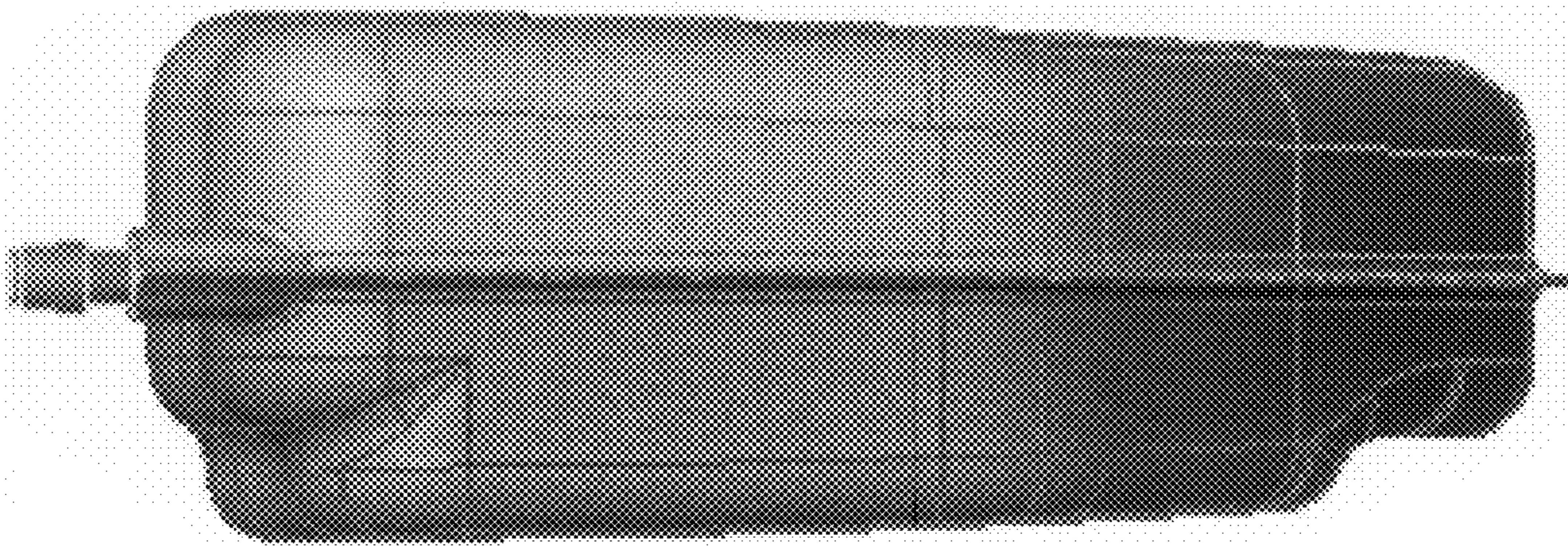


Figure 2.



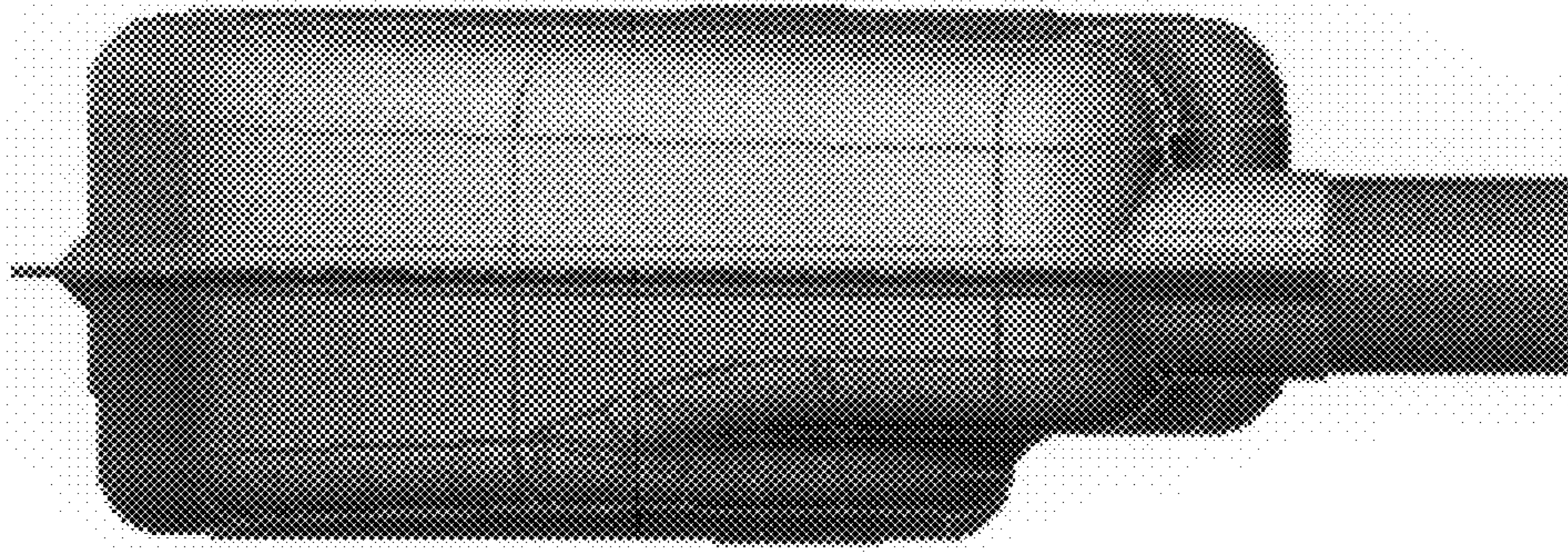


Figure 3.

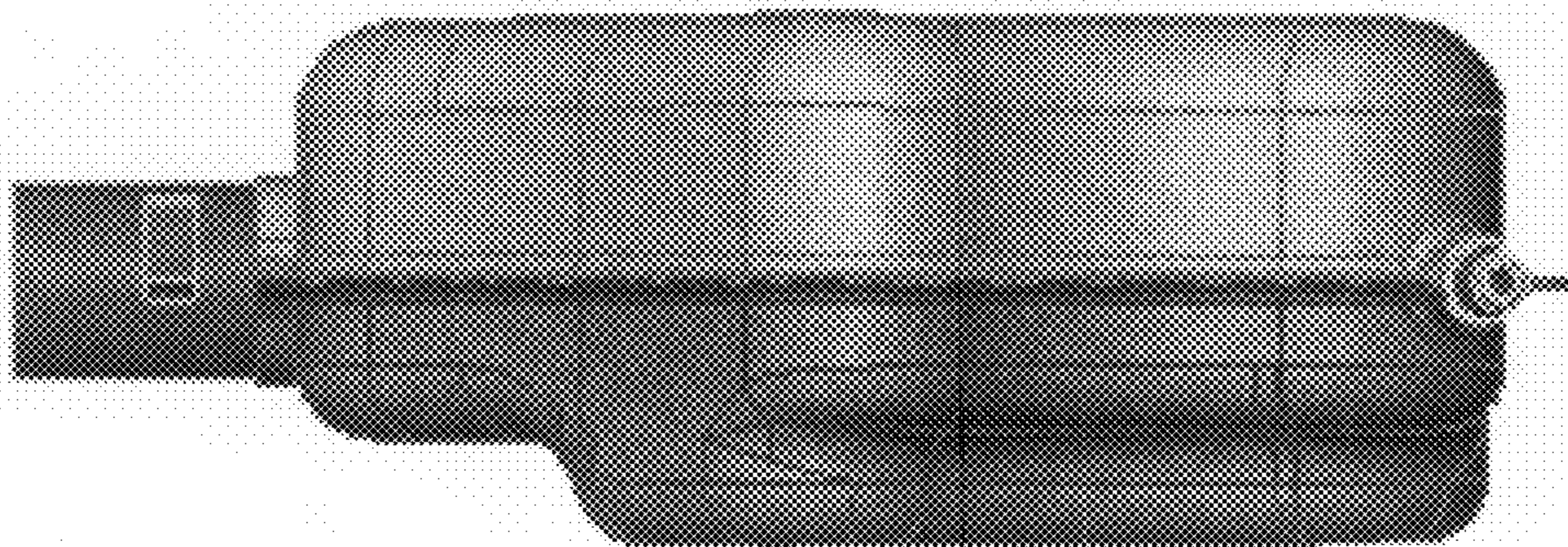


Figure 4.



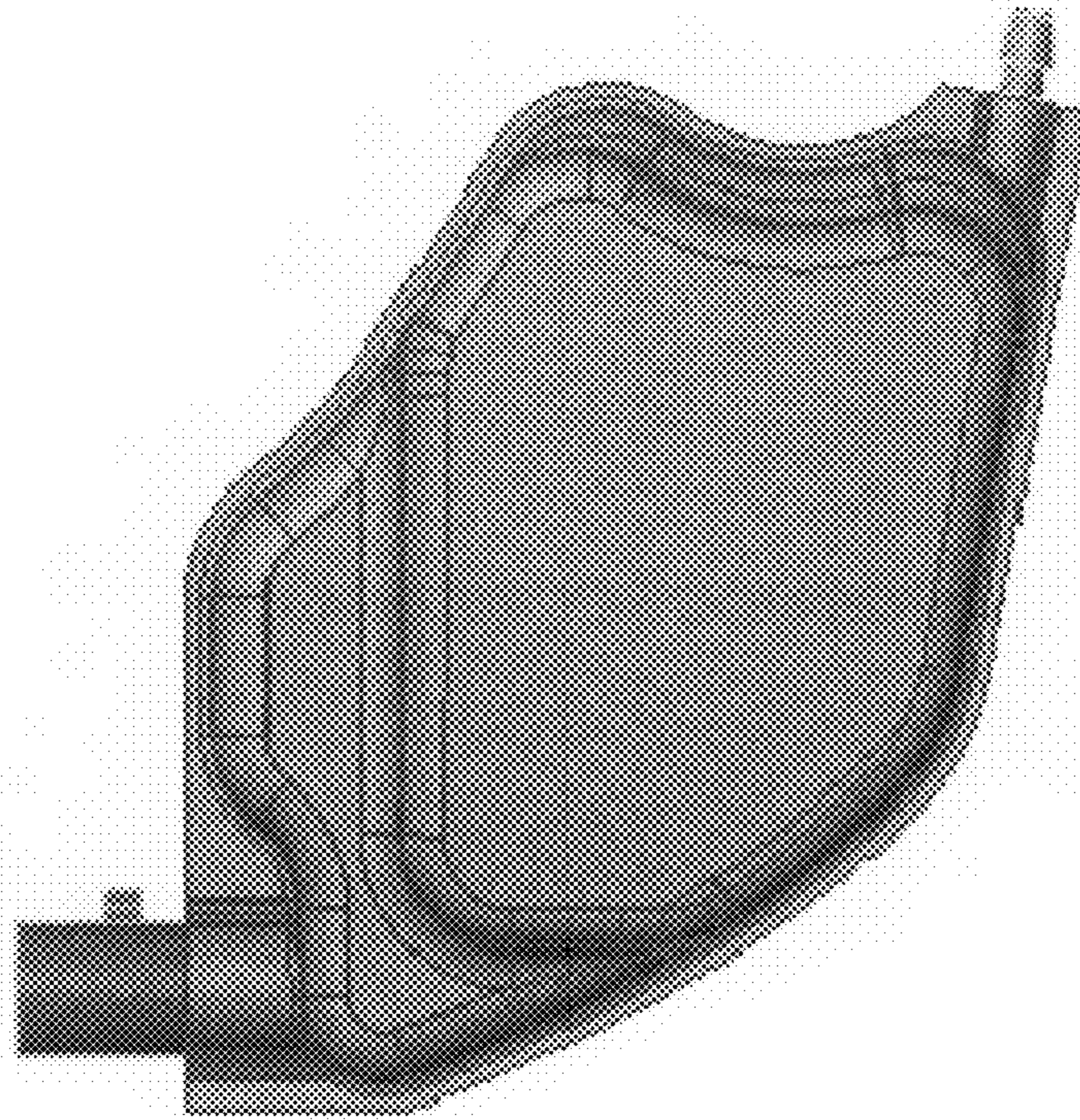


Figure 5.

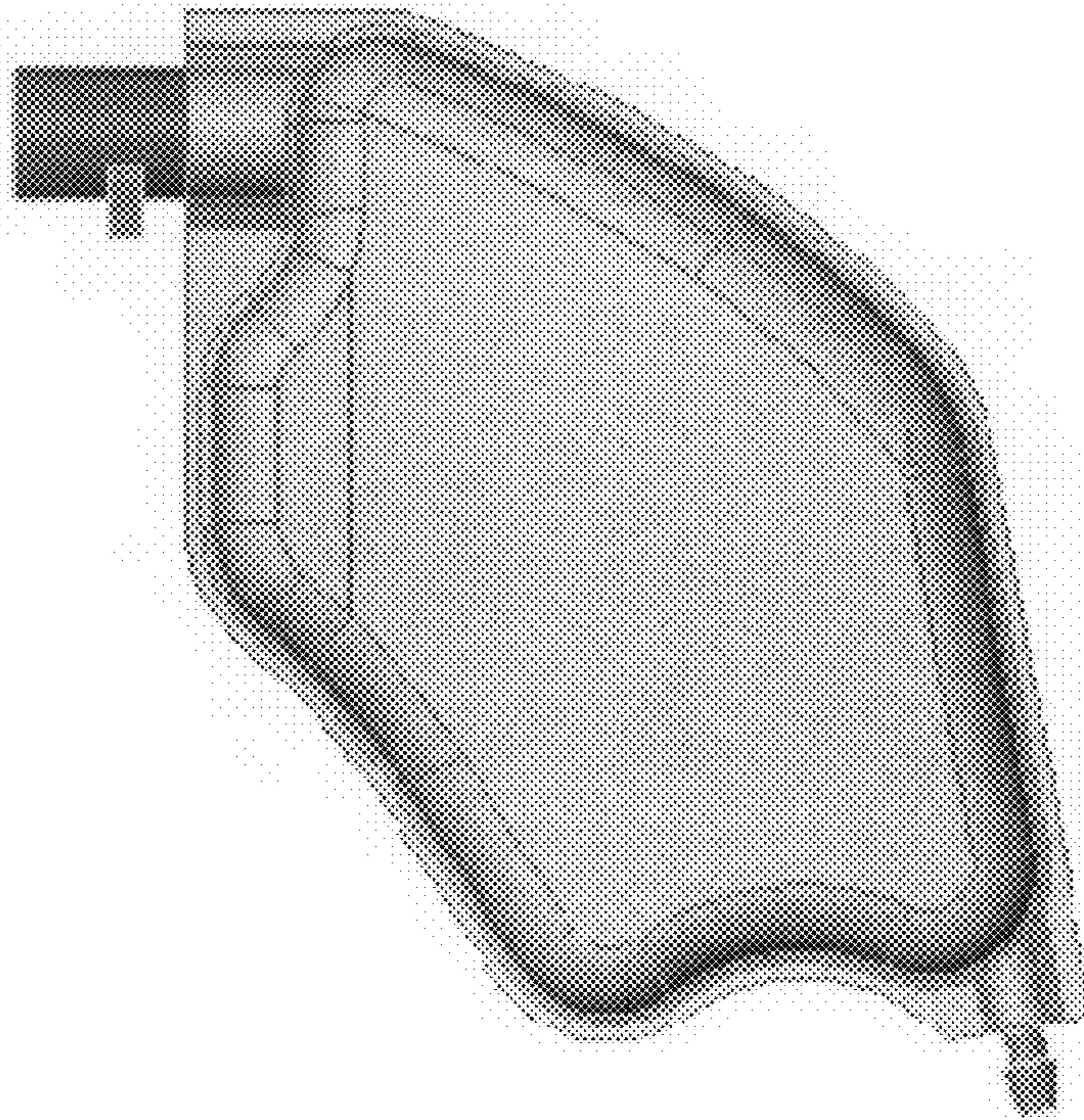


Figure 6.



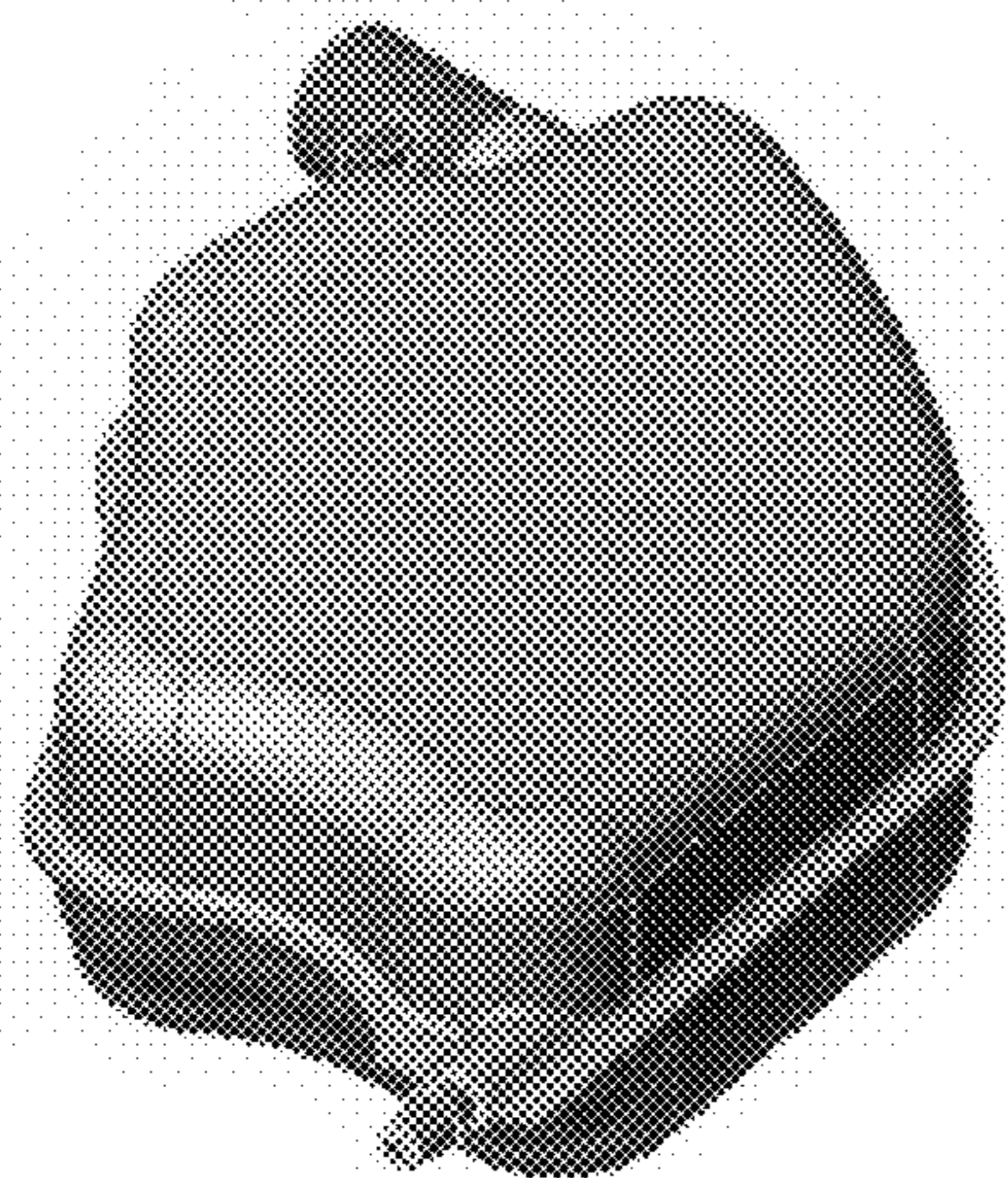


Figure 7.

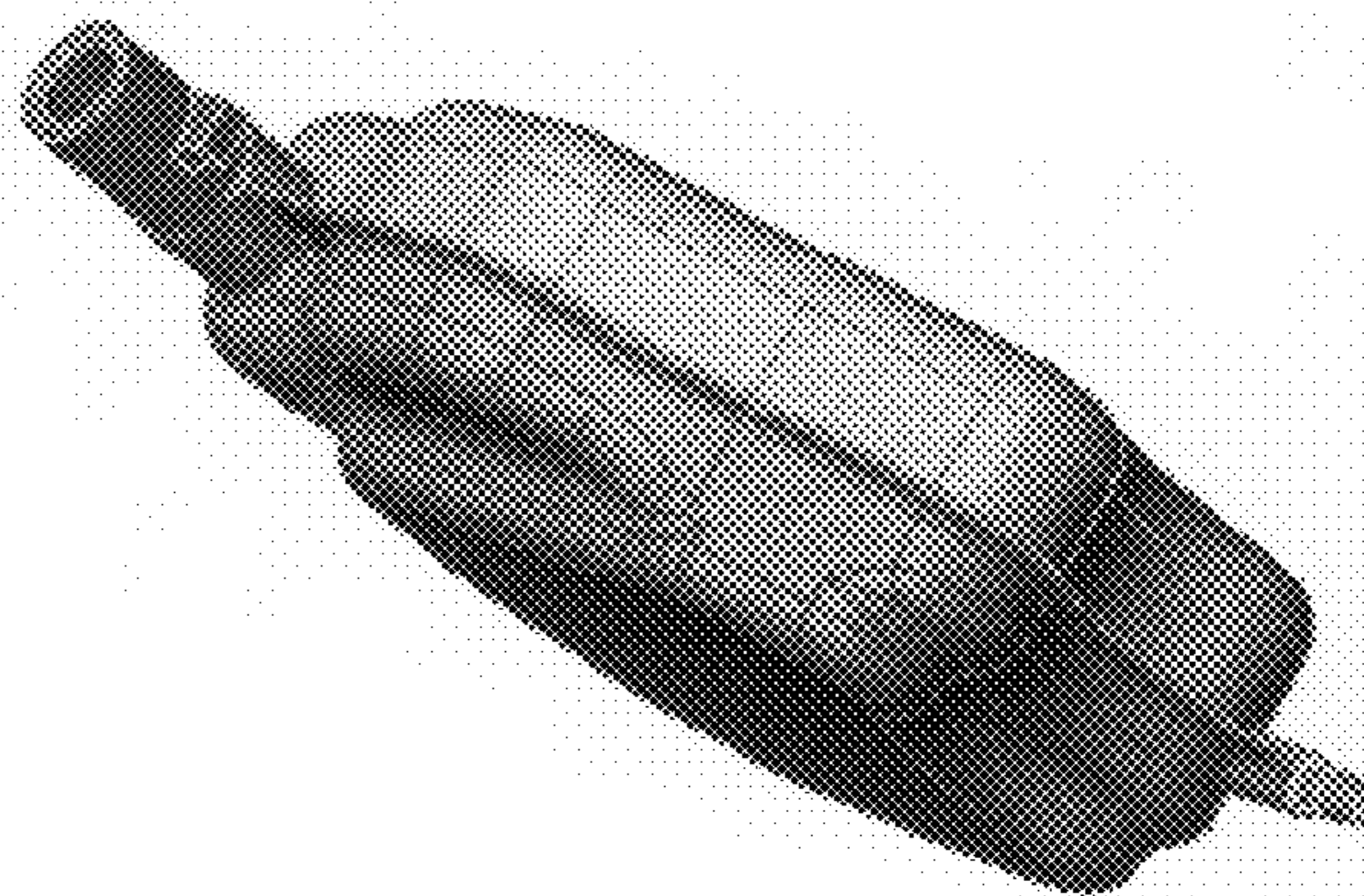


Figure 8.

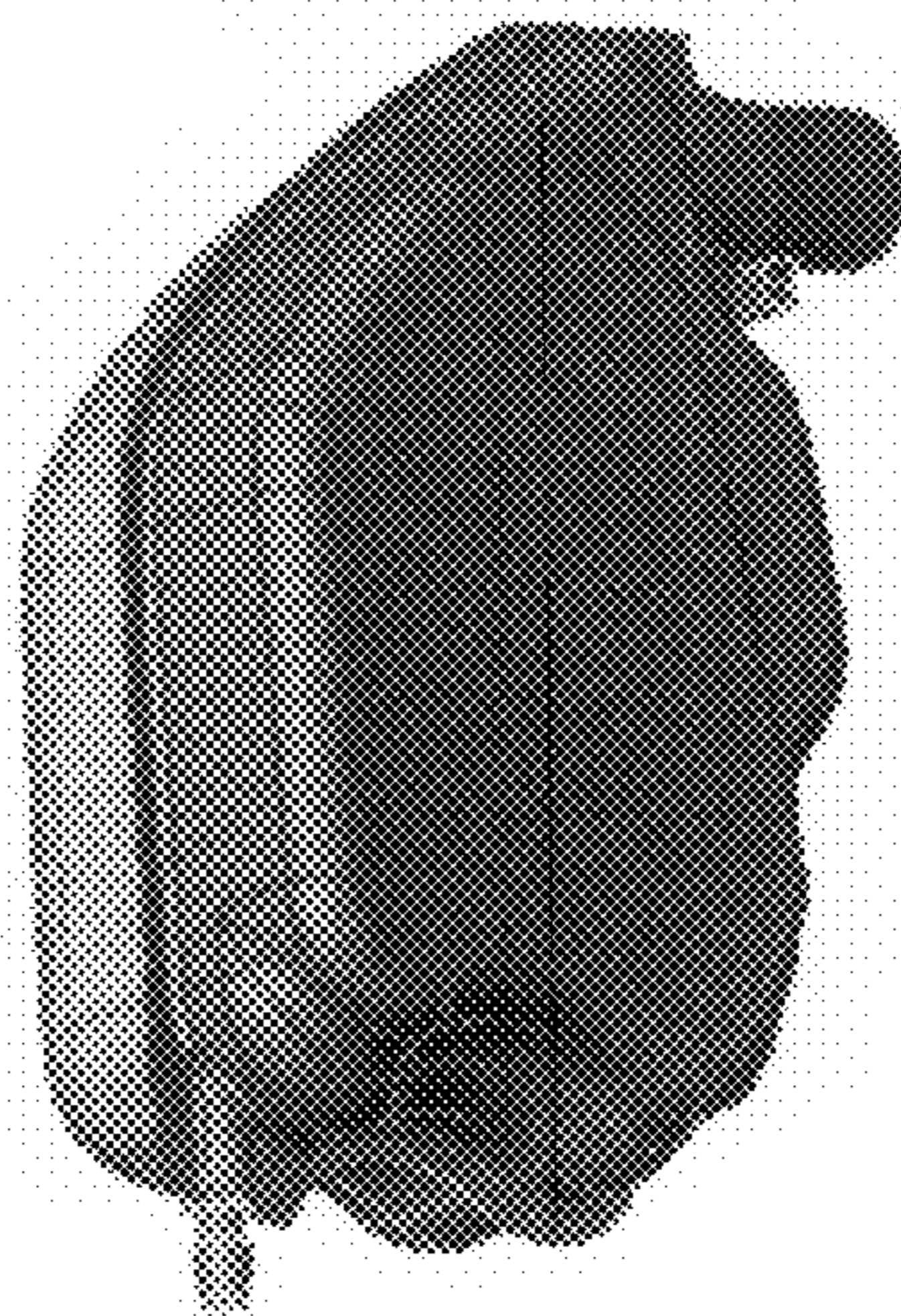


Figure 9.