



US00D574006S

(12) **United States Design Patent**
Stachura et al.

(10) **Patent No.:** **US D574,006 S**
(45) **Date of Patent:** **** Jul. 29, 2008**

(54) **OPTICAL DISC**

(75) Inventors: **Mikolaj Stachura**, Clinton Township, MI (US); **James Downes**, Rochester Hills, MI (US); **Filip Szalewicz**, Macomb, MI (US)

(73) Assignee: **imX Solutions, Inc.**, Royal Oak, MI (US)

(**) Term: **14 Years**

(21) Appl. No.: **29/248,524**

(22) Filed: **Aug. 18, 2006**

(51) **LOC (8) Cl.** **14-99**

(52) **U.S. Cl.** **D14/478**

(58) **Field of Classification Search** D14/474, D14/478-480; D19/9, 10; D8/20, 350, 352; D7/550.1, 554.1-554.4; D21/334, 338, 362, D21/390, 443, 444; 360/131, 133, 135, 97.01-97.04, 360/98.01-98.08, 99.01-99.12; 369/272.1, 369/280-282; 720/718, 725, 745
See application file for complete search history.

(56) **References Cited**

U.S. PATENT DOCUMENTS

D219,782 S * 1/1971 Tiller D23/252
(Continued)

FOREIGN PATENT DOCUMENTS

DE 29616619 11/1996
(Continued)

OTHER PUBLICATIONS

Internet Website Screenshots: ADIVAN High Tech AG (<http://www.adivan.com/en/products/opticalmedia/cdcard.htm>), 2 pages, Printed Aug. 2, 2006.

(Continued)

Primary Examiner—Cathron Brooks

Assistant Examiner—Deanna Fluegeman

(74) *Attorney, Agent, or Firm*—Walter G. Hanchuk; Chadbourne & Parke, LLP

(57) **CLAIM**

The ornamental design for an optical disc, as shown and described.

DESCRIPTION

FIG. 1 is a top plan view of the optical disc showing the design of the disclosed invention;

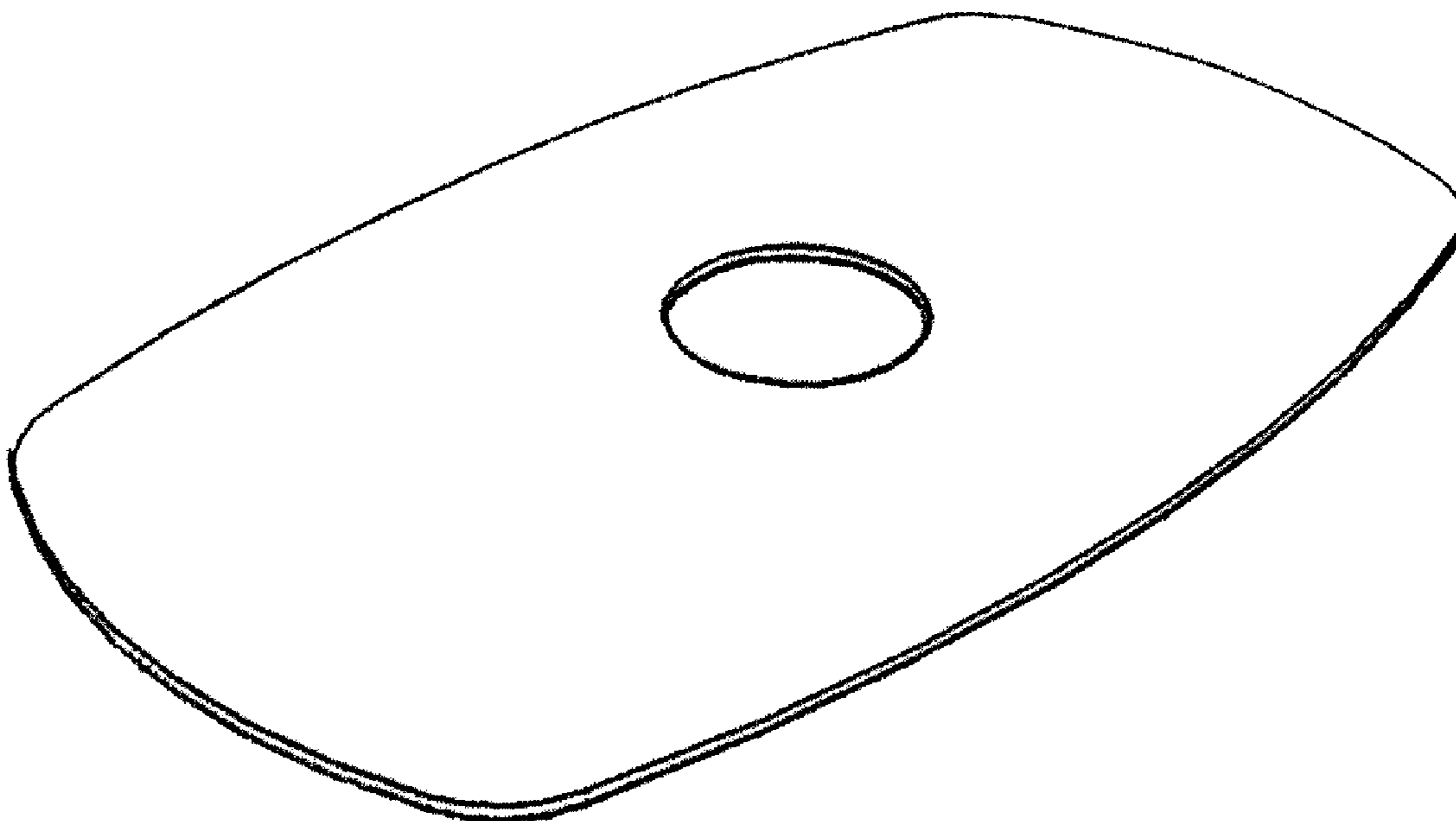
FIG. 2 is a right side view of the optical disc showing the design of the disclosed invention, the left side view being identical;

FIG. 3 is a front view of the optical disc showing the design of the disclosed invention, the back view being identical;

FIG. 4 is a bottom plan view of the optical disc showing the design of the disclosed invention; and,

FIG. 5 is a front, left and above perspective view of the optical disc showing the design of the disclosed invention.

1 Claim, 1 Drawing Sheet



US D574,006 S

Page 2

U.S. PATENT DOCUMENTS

4,316,589 A 2/1982 Stranders
D286,065 S * 10/1986 Joerger D23/245
5,852,598 A 12/1998 Wiest
5,982,736 A 11/1999 Pierson
D419,152 S * 1/2000 Lowenstein D14/478
6,016,298 A 1/2000 Fischer
D426,203 S * 6/2000 Siegel D14/478
6,078,557 A 6/2000 Pierson
D435,853 S * 1/2001 Mehta et al. D14/478
D436,991 S * 1/2001 Morgante D19/9
D439,583 S * 3/2001 Siegel D14/474
D442,970 S * 5/2001 Lowenstein D14/478
D444,792 S * 7/2001 Dhillon D14/478
D445,767 S * 7/2001 Myers D14/478
D449,309 S * 10/2001 Dhillon D14/478
6,304,544 B1 10/2001 Pierson et al.
6,400,675 B1 6/2002 Everidge et al.
D465,225 S * 11/2002 Dhillon D14/478
6,510,124 B1 1/2003 Wood
6,616,052 B2 9/2003 Tseng et al.
6,754,165 B2 * 6/2004 Burnett 369/272.1
6,760,280 B1 7/2004 Schoppe
6,762,988 B2 7/2004 Wood

6,857,575 B2 2/2005 Mathias et al.
D502,469 S 3/2005 Pierson
D503,404 S * 3/2005 Wood D14/478
6,899,942 B2 * 5/2005 Clark 428/138
6,951,027 B2 * 9/2005 Kikuchi et al. 720/718
6,976,264 B2 12/2005 Murata
D521,849 S * 5/2006 Millward et al. D8/350
7,100,180 B2 8/2006 Wood
D548,049 S * 8/2007 Millward et al. D8/350
2002/0080714 A1 6/2002 Pierson et al.
2003/0090507 A1 5/2003 Randall et al.
2004/0226032 A1 11/2004 Wood

FOREIGN PATENT DOCUMENTS

WO PCT/DE1998/002394 12/2002

OTHER PUBLICATIONS

Internet Website Screenshots: CD-CarD International (<http://www.cdcard.org/frames1.html>), 3 pages, Printed Aug. 2, 2006.

Internet Website Screenshots: Celeb Poker CD Cardz (<http://www.serious.com/celebpoker>), 2 pages, Printed Aug. 2, 2006.

Internet Website Screenshots: NPG Pre-Paid Cardz (<http://www.serious.com/projPrince>), 2 pages, Printed Aug. 2, 2006.

* cited by examiner

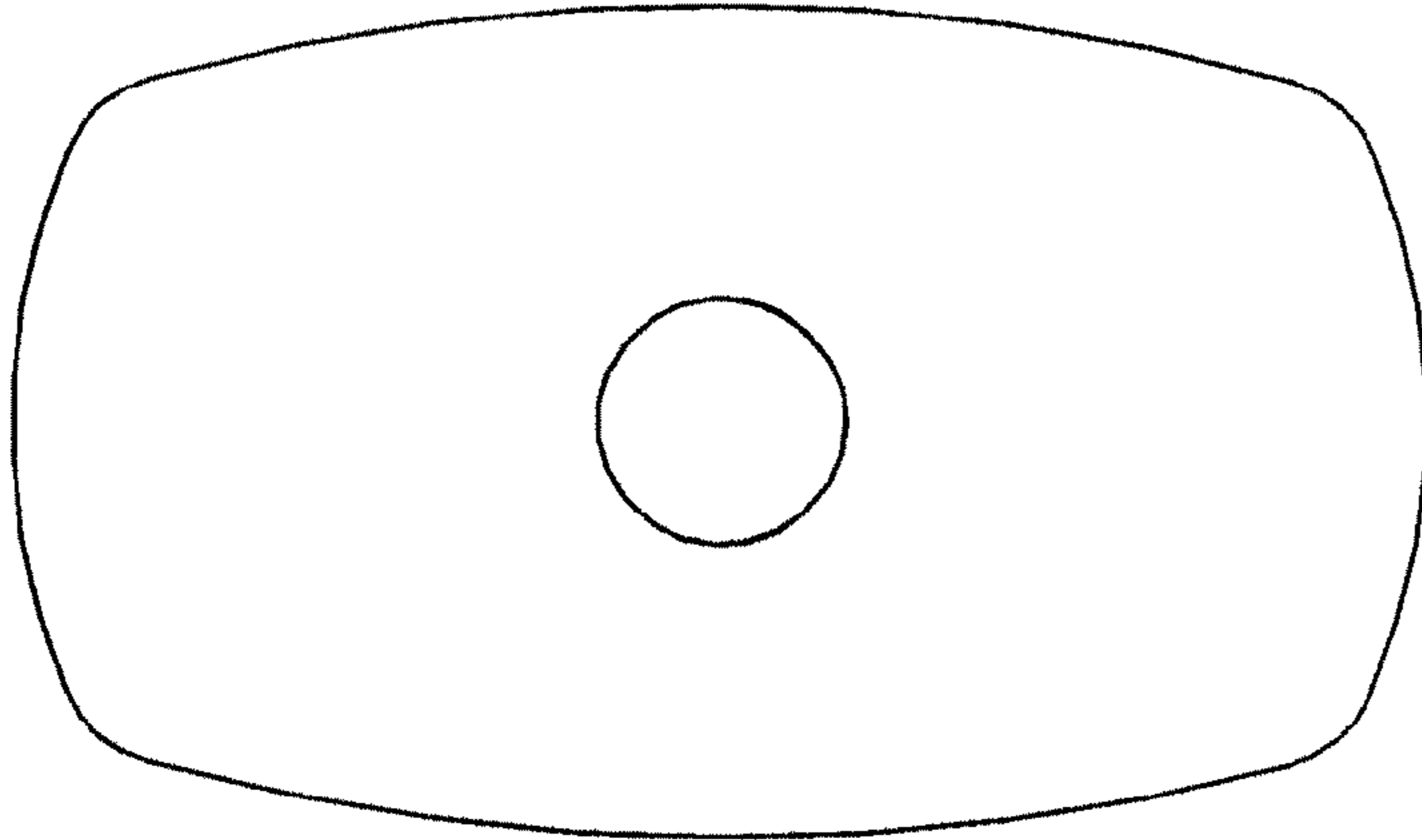


Figure 1

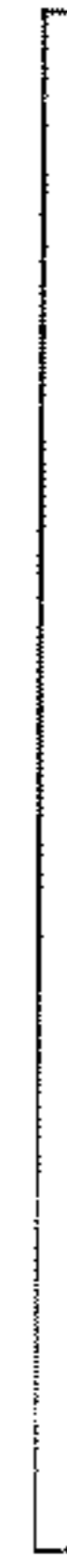


Figure 2

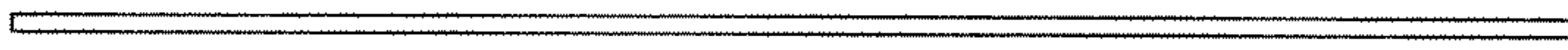


Figure 3

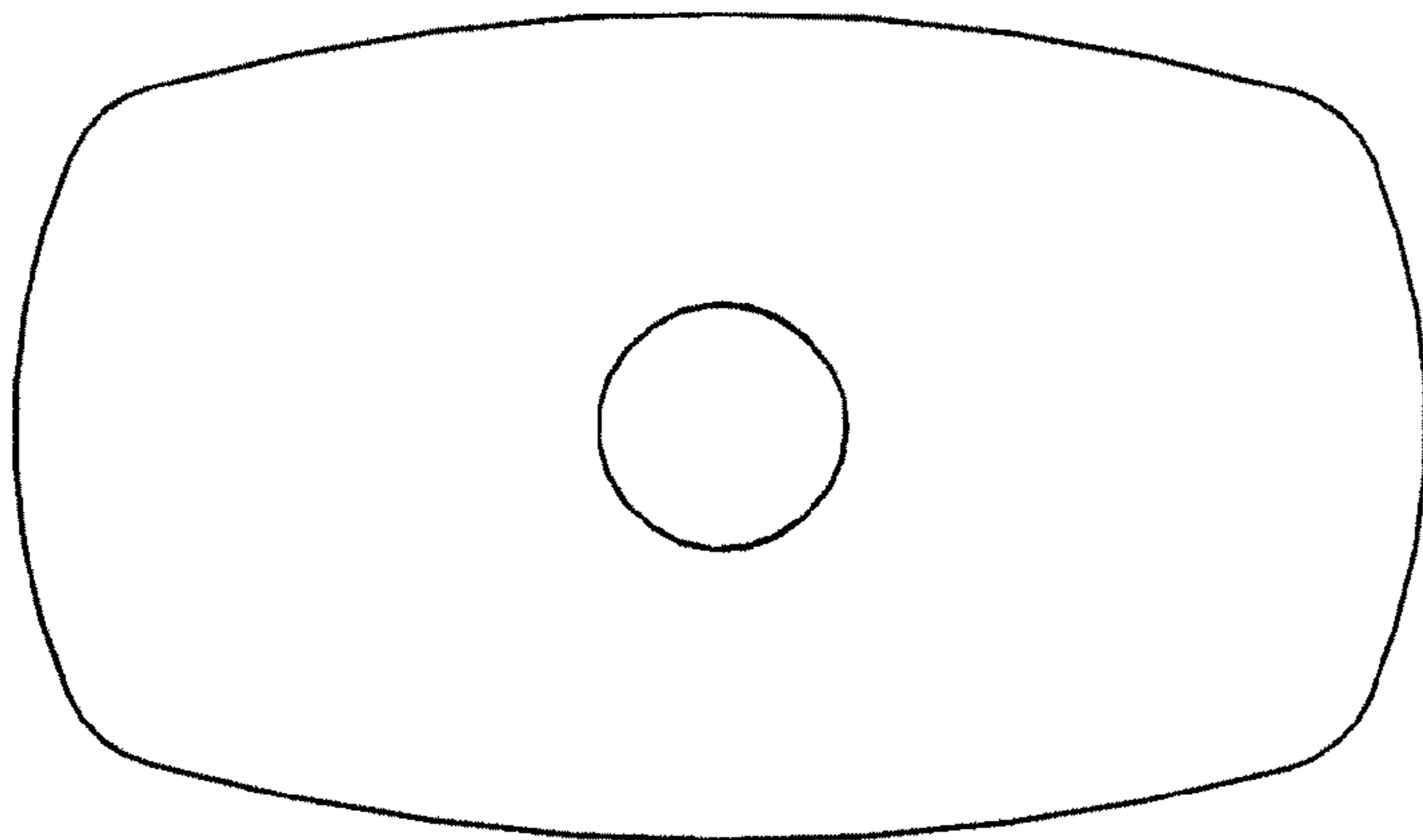


Figure 4

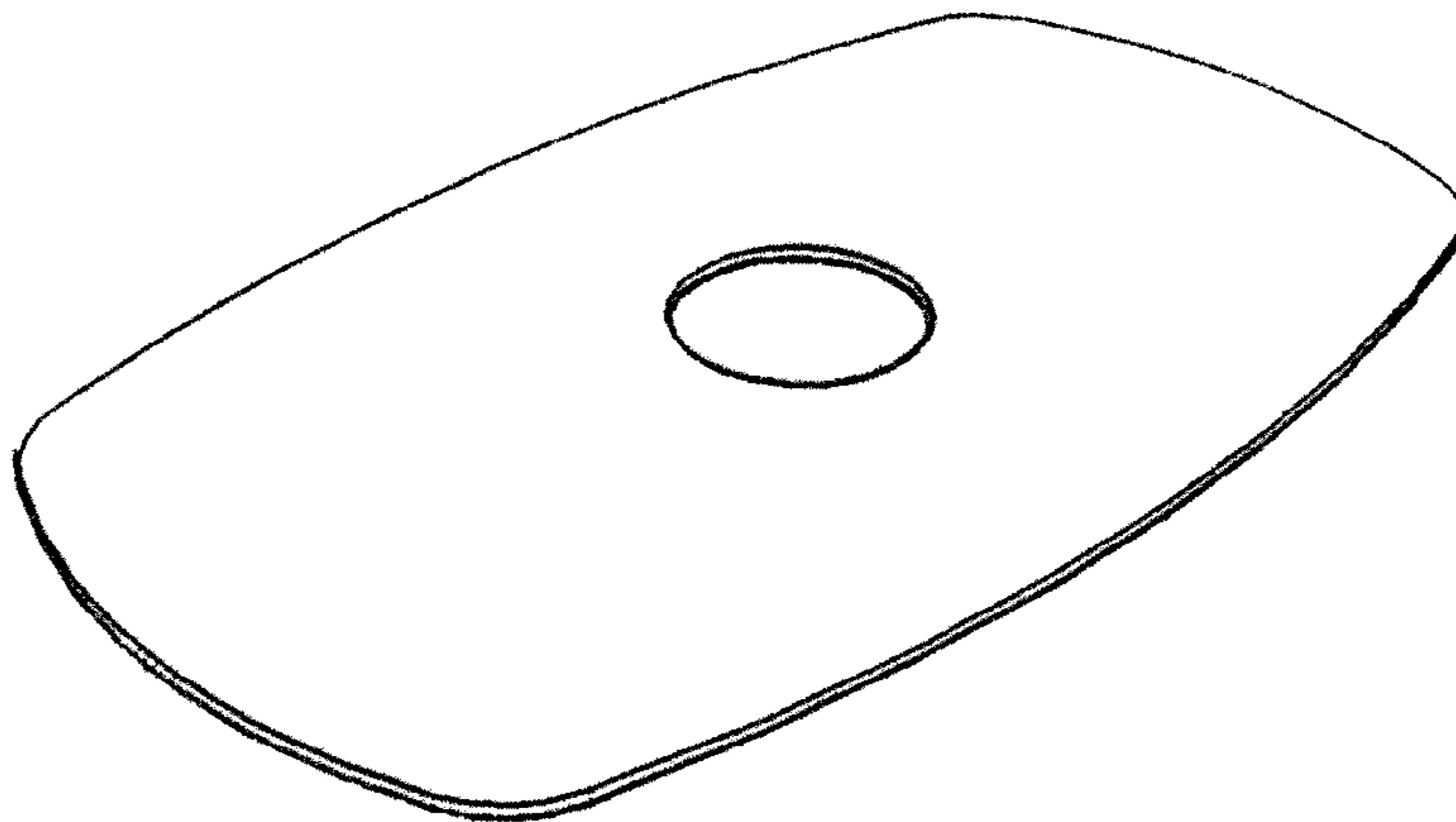


Figure 5