



US00D573996S

(12) **United States Design Patent**
Manalo

(10) **Patent No.:** **US D573,996 S**
(45) **Date of Patent:** **** Jul. 29, 2008**

(54) **PORTION OF AN ELECTRONIC MOUSE**

D533,554 S * 12/2006 Sheehan et al. D14/409

(75) Inventor: **Gil Manalo**, Redmond, WA (US)

(73) Assignee: **Microsoft Corporation**, Redmond, WA (US)

* cited by examiner

Primary Examiner—Pamela J Burgess

(74) *Attorney, Agent, or Firm*—Banner & Witcoff, Ltd.

(**) Term: **14 Years**

(21) Appl. No.: **29/298,177**

(57) **CLAIM**

(22) Filed: **Nov. 30, 2007**

The ornamental design for a portion of an electronic mouse, as shown and described.

Related U.S. Application Data

(63) Continuation of application No. 29/283,987, filed on Aug. 28, 2007.

DESCRIPTION

(51) **LOC (8) Cl.** **14-02**

(52) **U.S. Cl.** **D14/409; D14/402**

(58) **Field of Classification Search** D14/402–410,
D14/417; 235/472.01; 345/156–167; 365/49;
463/36–38; 200/5 A, 5 R, 6 A, 6 R; 273/148 B;
D21/333

FIG. 1 is a front perspective view of a portion of an electronic mouse showing my new design;

FIG. 2 is a front view thereof;

FIG. 3 is a left side view thereof; and,

FIG. 4 is a right side view thereof.

See application file for complete search history.

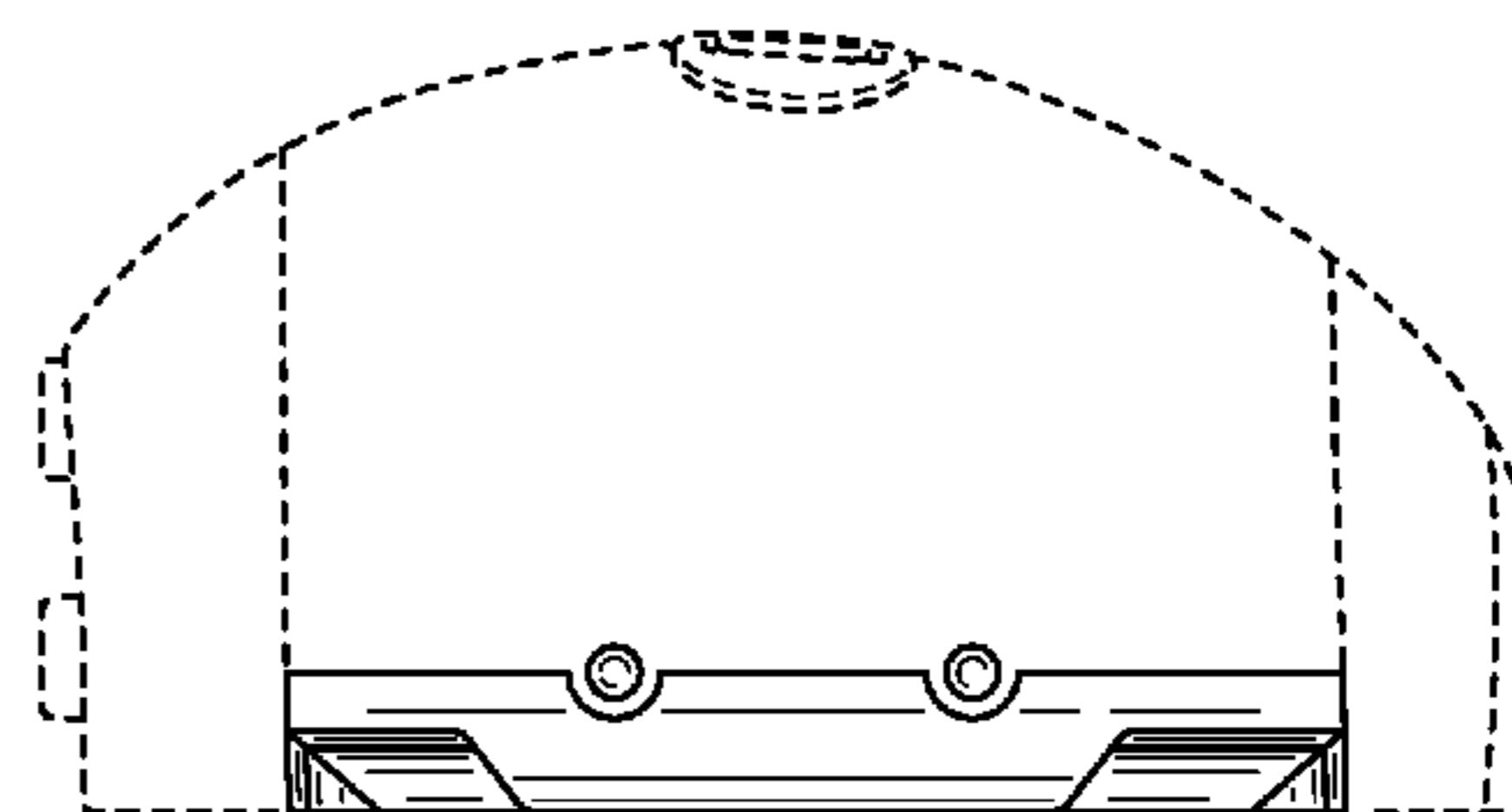
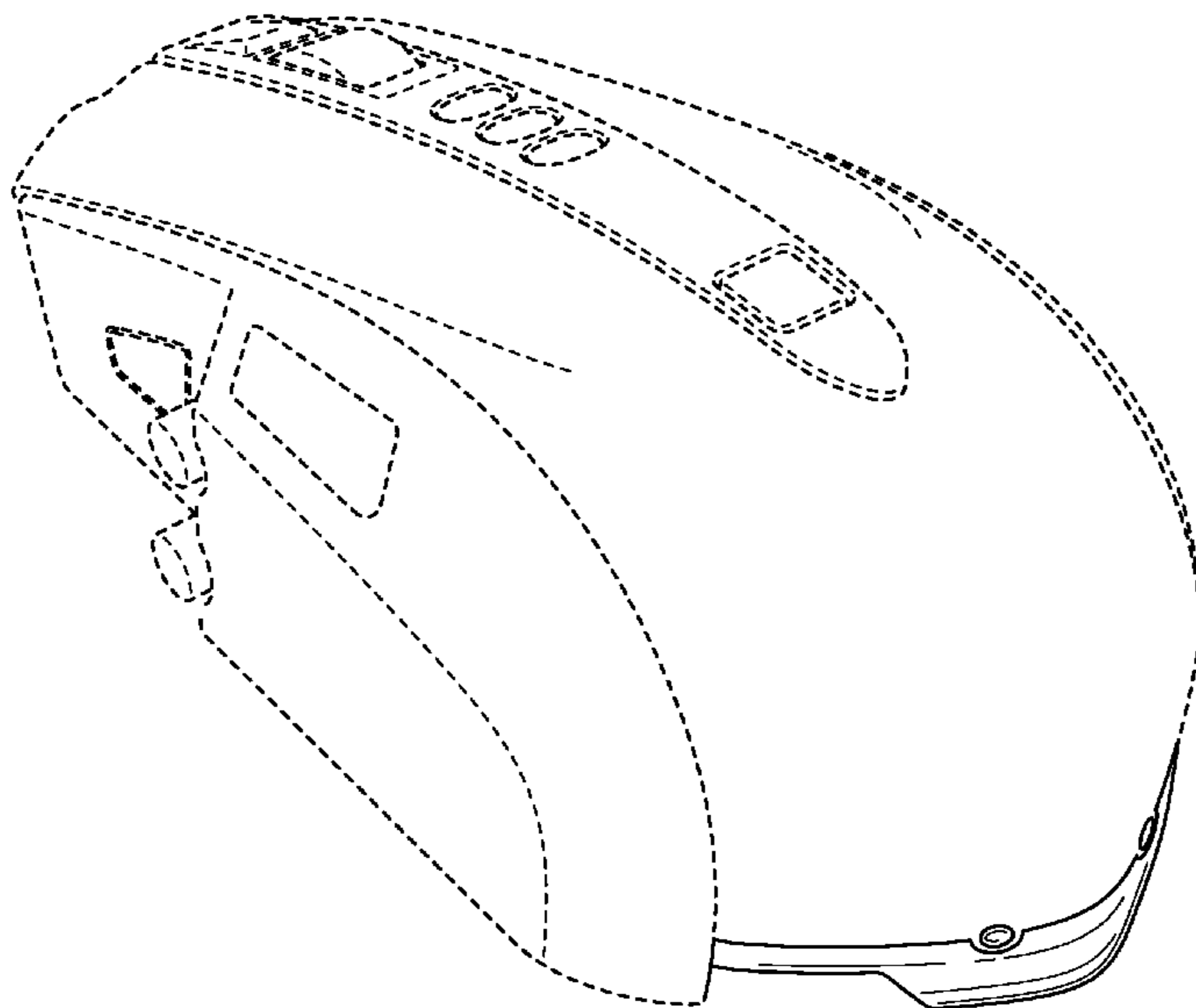
The unshown bottom forms no part of the claimed design. The broken line showing of various regions and the unshaded areas there within form no part of the claimed design.

(56) **References Cited**

U.S. PATENT DOCUMENTS

D514,572 S * 2/2006 Chang D14/409

1 Claim, 2 Drawing Sheets



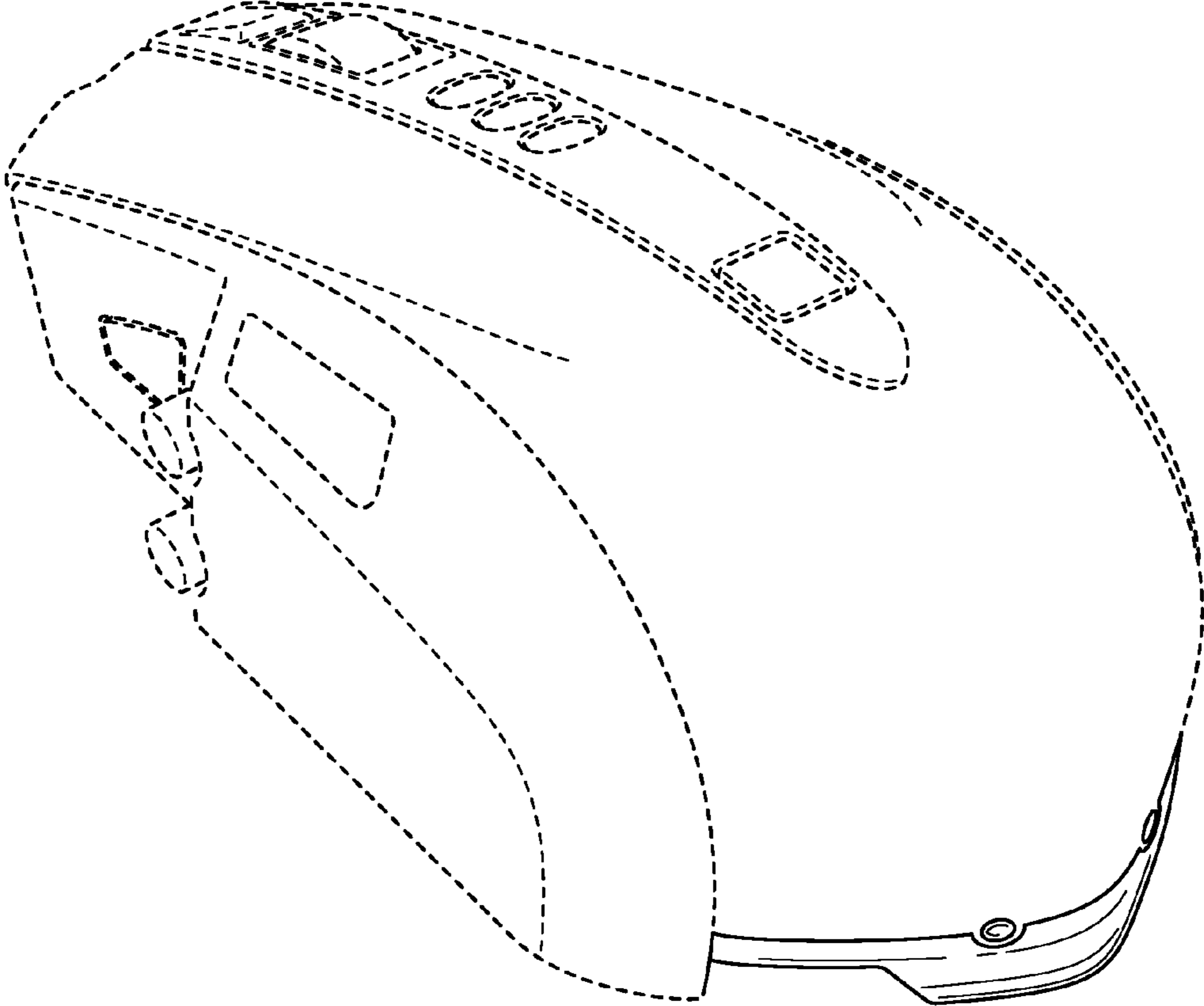


FIG. 1

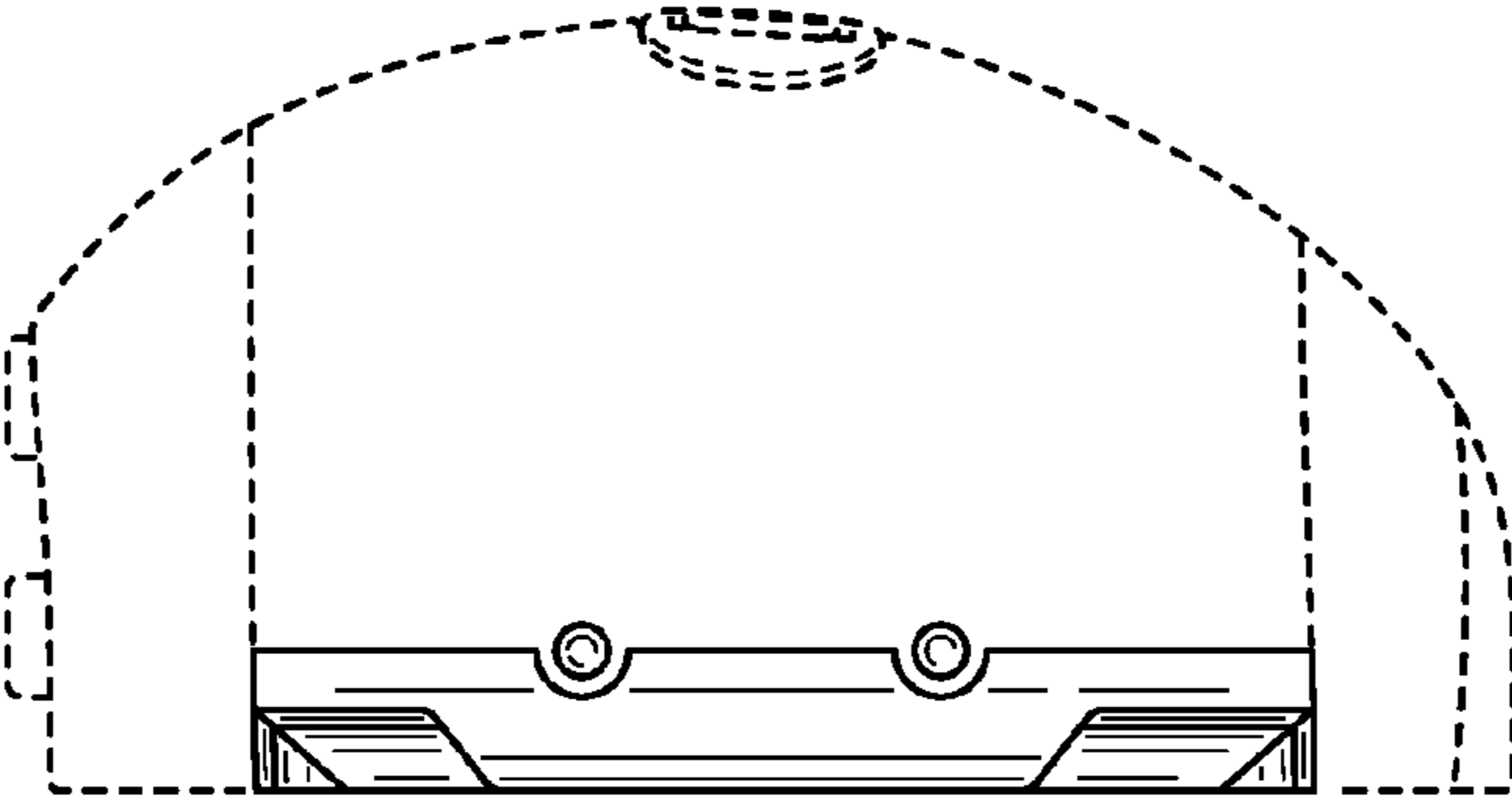


FIG. 2

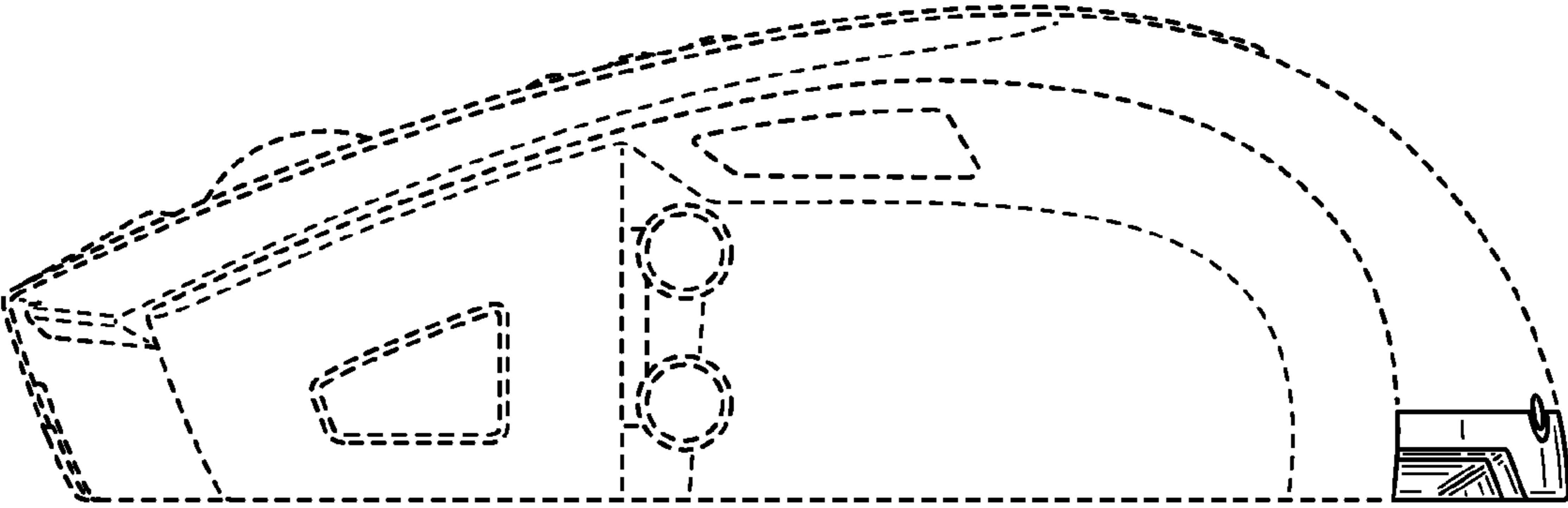


FIG. 3

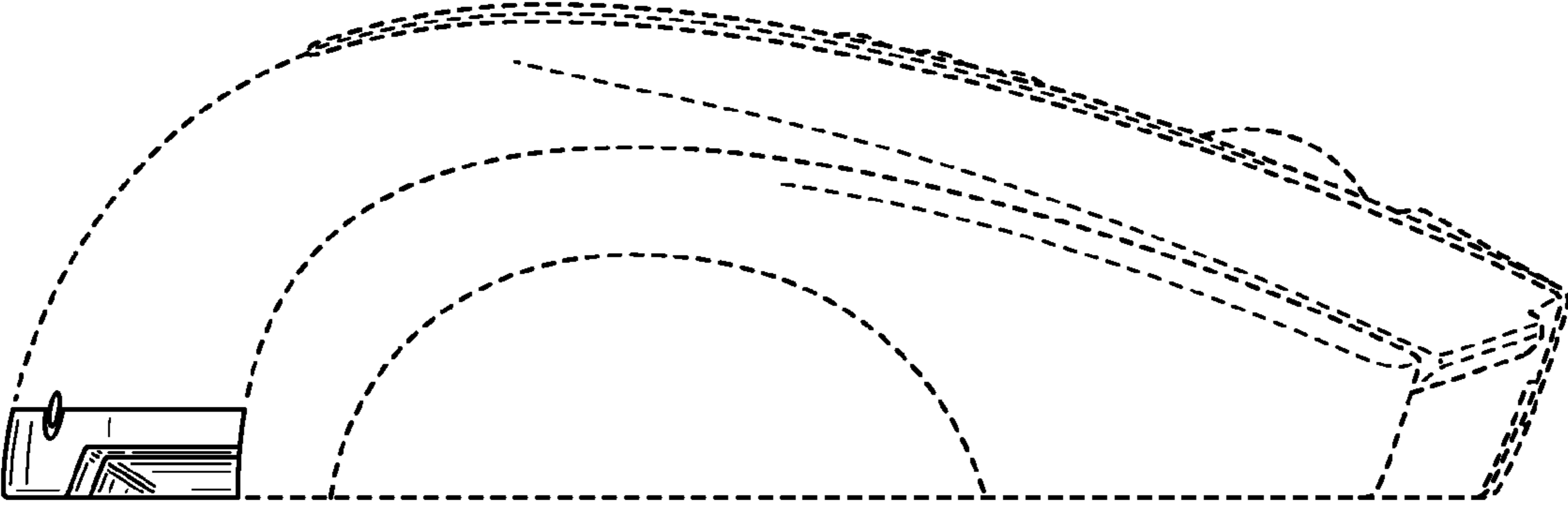


FIG. 4